



US00D837570S

(12) **United States Design Patent**  
**Barcohana**

(10) **Patent No.:** **US D837,570 S**  
(45) **Date of Patent:** **\*\* Jan. 8, 2019**

(54) **POSTURE IMPROVEMENT PILLOW**

(71) Applicant: **Babak Barcohana**, Van Nuys, CA (US)

(72) Inventor: **Babak Barcohana**, Van Nuys, CA (US)

(\*\*) Term: **15 Years**

(21) Appl. No.: **29/608,592**

(22) Filed: **Jun. 22, 2017**

(51) **LOC (11) Cl.** ..... **06-09**

(52) **U.S. Cl.**  
USPC ..... **D6/601**

(58) **Field of Classification Search**

USPC ..... D6/582-583, 587-592, 595-609,  
D6/617-622

CPC ..... A47G 9/00; A47G 2009/001; A47G  
2009/002; A47G 2009/003; A47G  
2009/005; A47G 2009/006; A47G 9/02;  
A47G 9/0207; A47G 9/0215; A47G  
9/0223; A47G 9/023; A47G 9/0238;  
A47G 9/0246; A47G 9/0253; A47G  
9/0261; A47G 9/06; A47G 9/062; A47G  
9/066; A47G 9/068; A47G 9/08; A47G  
2009/0276; A47G 9/0284; A47G 9/0292;  
A47G 9/04; A47G 9/10

See application file for complete search history.

(56) **References Cited**

**U.S. PATENT DOCUMENTS**

D293,286 S \* 12/1987 Alfer ..... 5/653  
D318,203 S \* 7/1991 Zaghini ..... 5/636  
6,003,177 A \* 12/1999 Ferris ..... A61F 5/01  
5/636

(Continued)

*Primary Examiner* — Mary Ann Calabrese

*Assistant Examiner* — Jennifer L Rempfer

(74) *Attorney, Agent, or Firm* — Thomas I. Rozsa

(57) **CLAIM**

The ornamental design for a posture improvement pillow, as shown and described.

**DESCRIPTION**

FIG. 1 is a top front perspective view of the posture improvement pillow, including an optional pocket, showing my new design;

FIG. 2 is a bottom front perspective view of the embodiment illustrated in FIG. 1;

FIG. 3 is a top view of the embodiment illustrated in FIG. 1;

FIG. 4 is a bottom view of the embodiment illustrated in FIG. 1;

FIG. 5 is a left side view of the embodiment illustrated in FIG. 1;

FIG. 6 is a right side view of the embodiment illustrated in FIG. 1;

FIG. 7 is a front view of the embodiment illustrated in FIG. 1;

FIG. 8 is a rear view of the embodiment illustrated in FIG. 1;

FIG. 9 is a top front perspective view of the posture improvement pillow, without an optional pocket, showing my new design;

FIG. 10 is a bottom front perspective view of the embodiment illustrated in FIG. 9;

FIG. 11 is a top view of the embodiment illustrated in FIG. 9;

FIG. 12 is a bottom view of the embodiment illustrated in FIG. 9;

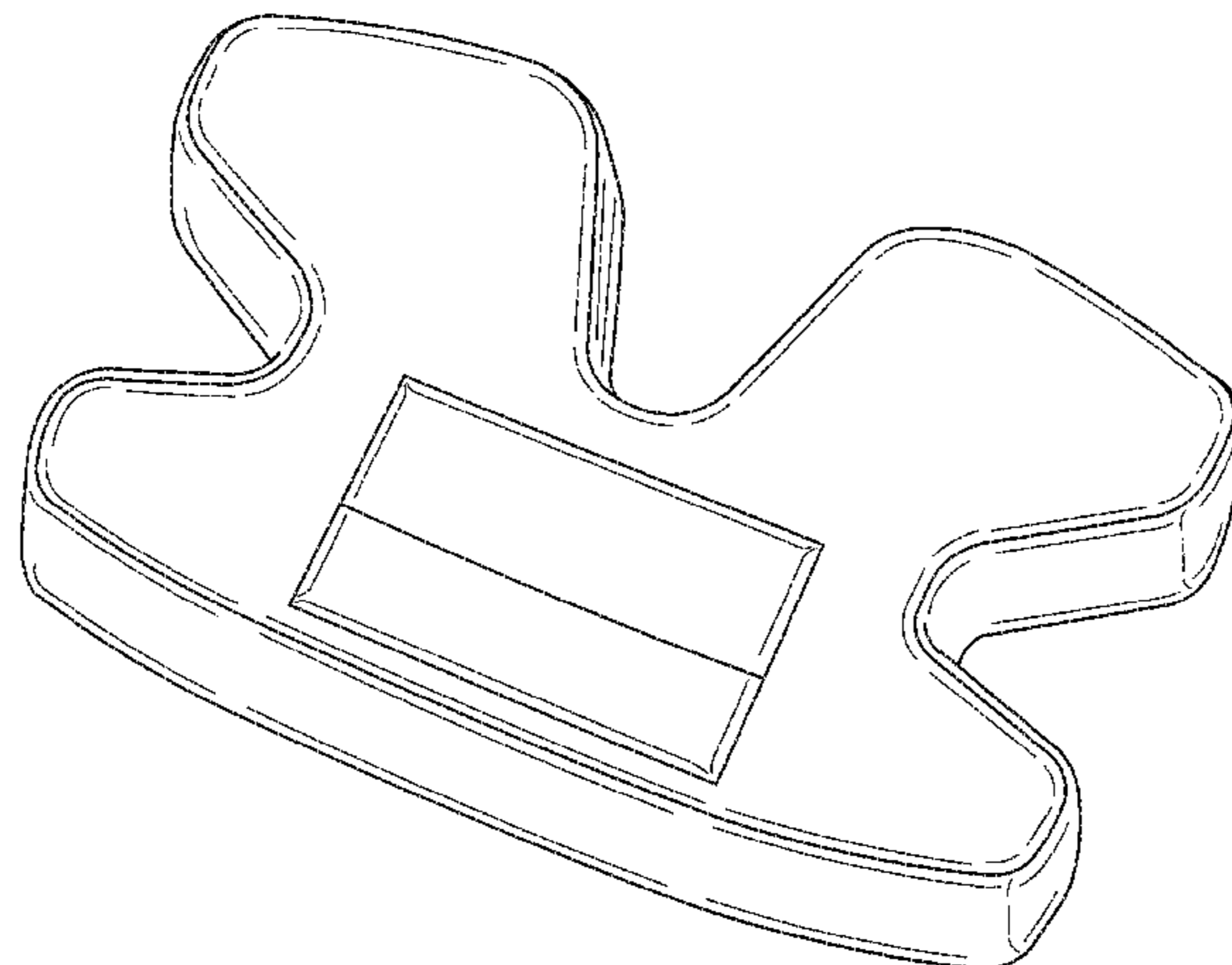
FIG. 13 is a left side view of the embodiment illustrated in FIG. 9;

FIG. 14 is a right side view of the embodiment illustrated in FIG. 9;

FIG. 15 is a front view of the embodiment illustrated in FIG. 9; and,

FIG. 16 is a rear view of the embodiment illustrated in FIG. 9.

**1 Claim, 16 Drawing Sheets**



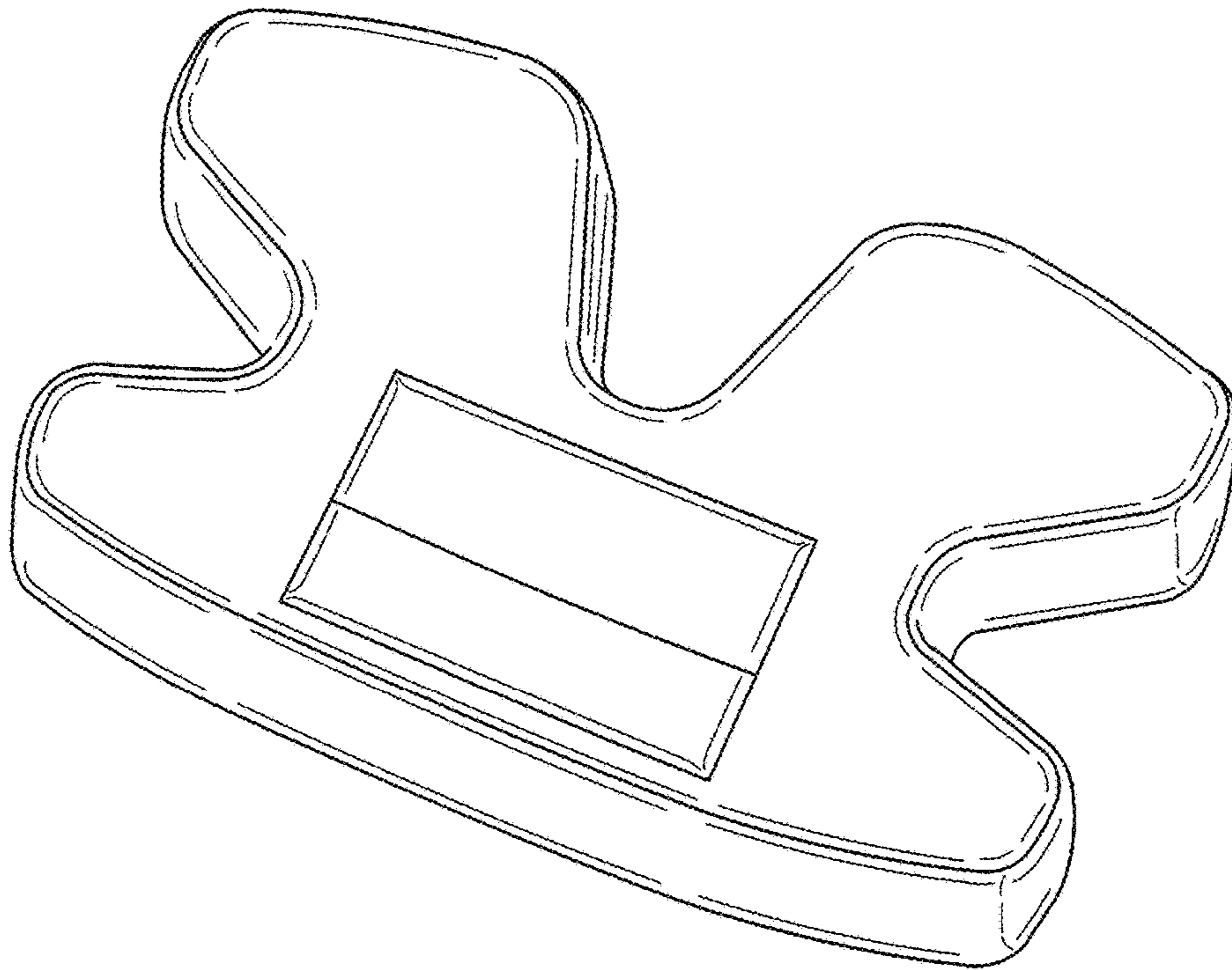
(56)

References Cited

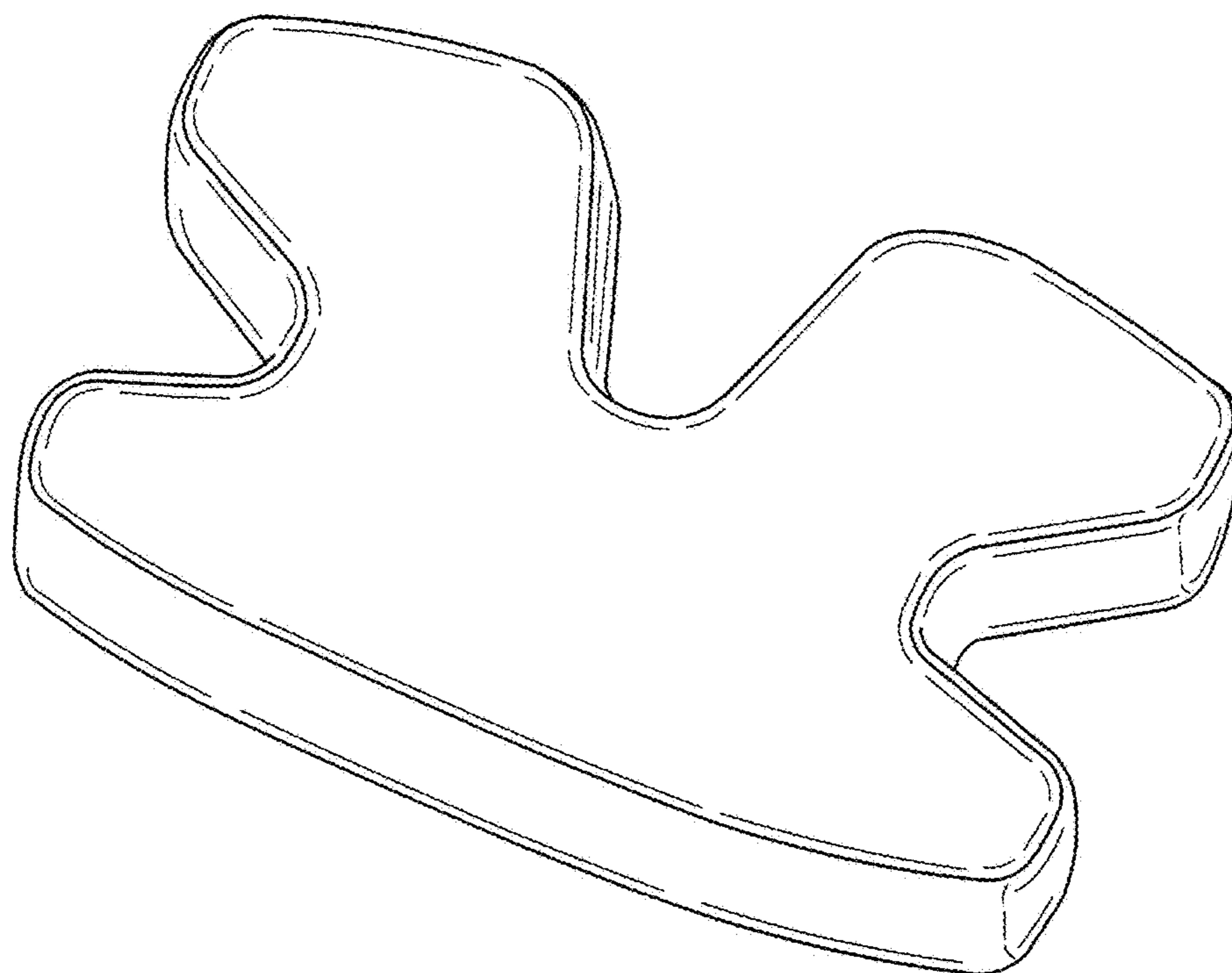
U.S. PATENT DOCUMENTS

D418,711	S *	1/2000	Mettler	.....	D6/601
D434,936	S *	12/2000	May	.....	D6/601
D467,458	S *	12/2002	Norman	.....	D6/611
6,814,405	B2 *	11/2004	Norman	.....	B60N 2/2881 297/219.12
D541,096	S *	4/2007	Georgescu	.....	D6/601
D579,706	S *	11/2008	Cox	.....	D6/601
D595,529	S *	7/2009	Deetsch	.....	D6/601
D615,338	S *	5/2010	Balkaran	.....	D6/596
D634,960	S *	3/2011	Anson	.....	D6/601
8,161,588	B1 *	4/2012	Anson	.....	A47G 9/109 5/630
D668,092	S *	10/2012	Davis	.....	D6/601
D673,410	S *	1/2013	O'Connell	.....	D6/601
D690,535	S *	10/2013	Huang	.....	D6/601
D728,272	S *	5/2015	Zimmerman	.....	D6/601
9,138,084	B1 *	9/2015	Namolovan	.....	A47G 9/007
D759,991	S *	6/2016	Jing	.....	D6/601
D818,289	S *	5/2018	Facco	.....	D6/601
2003/0217412	A1 *	11/2003	Johns	.....	A47G 9/10 5/636
2005/0273935	A1 *	12/2005	Cordova	.....	A47C 7/383 5/652
2015/0020314	A1 *	1/2015	Garcia	.....	A47C 7/383 5/636

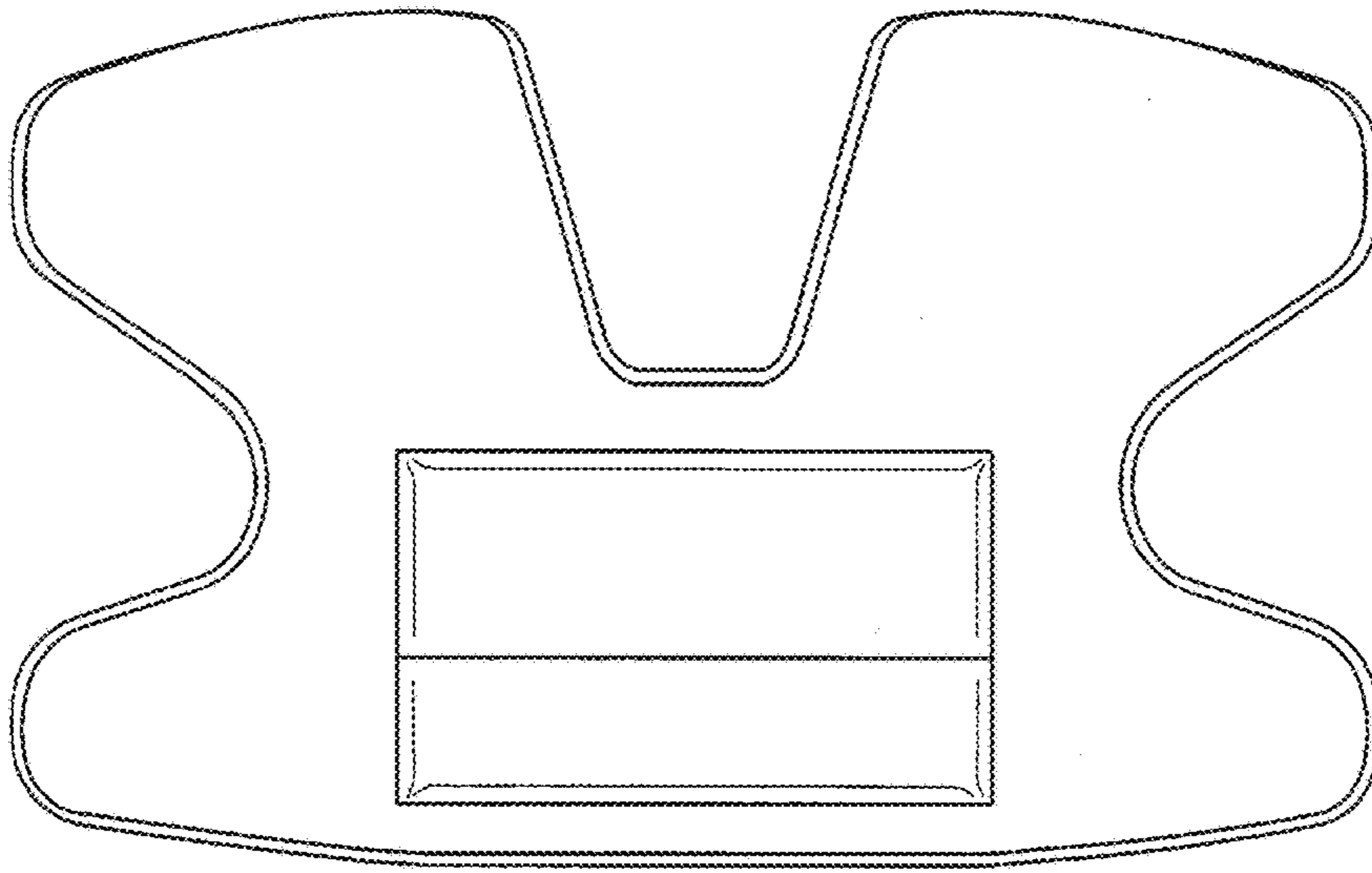
\* cited by examiner



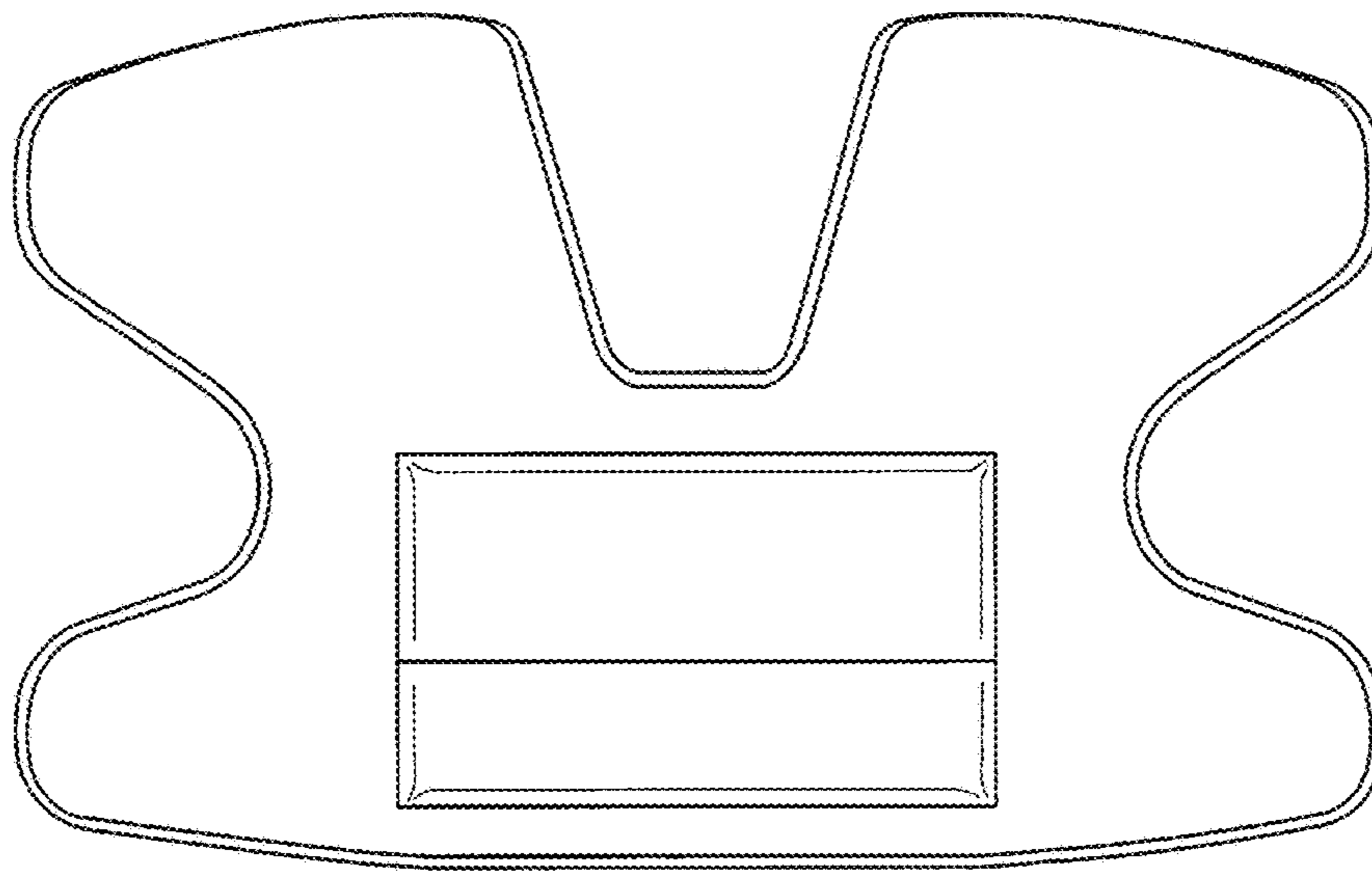
*FIG. 1*



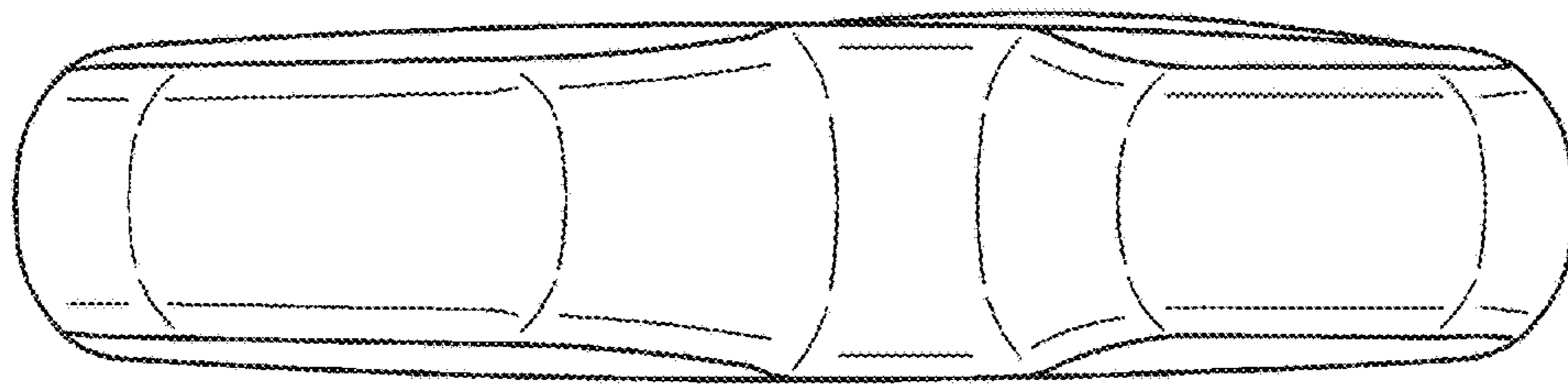
*FIG. 2*



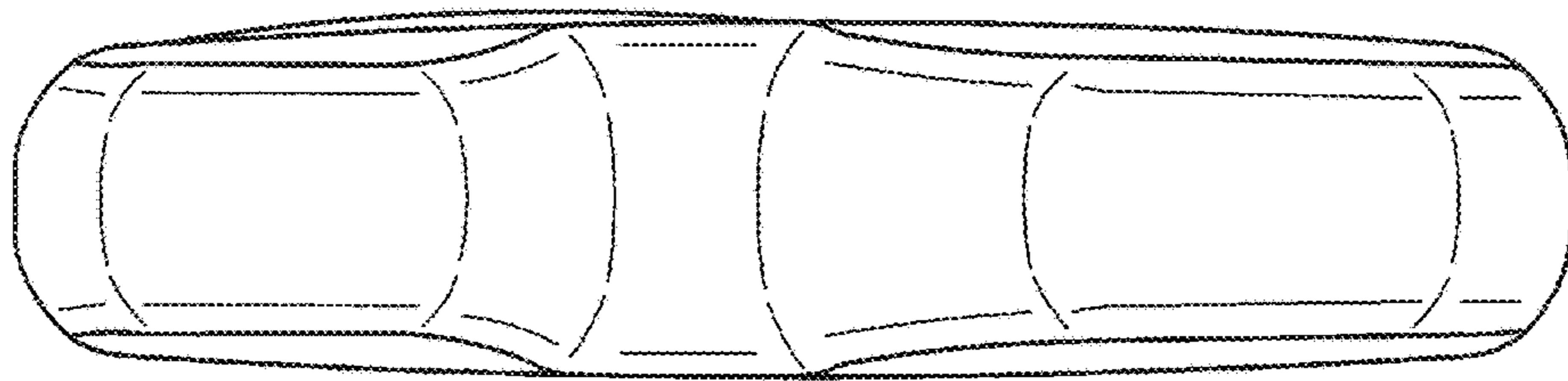
*FIG. 3*



*FIG. 4*

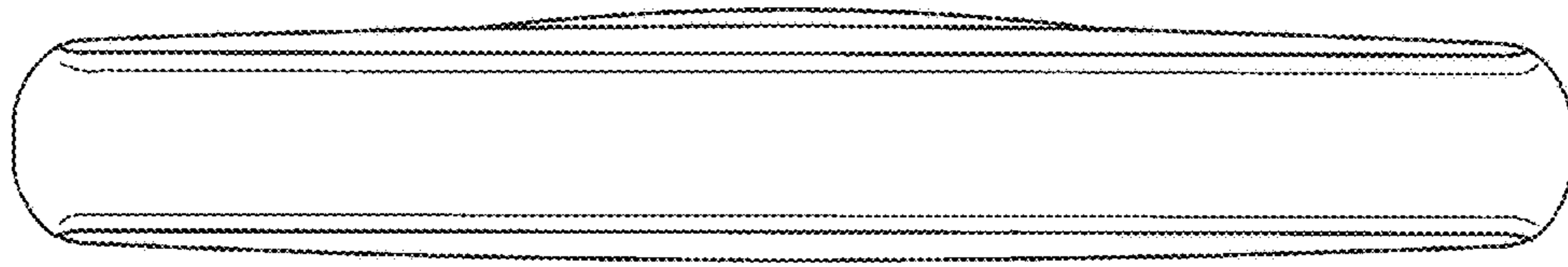


*FIG. 5*

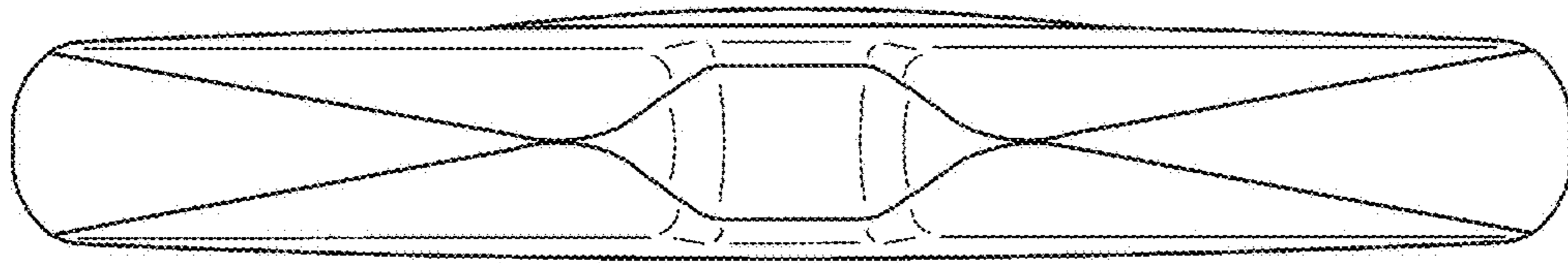


*FIG. 6*

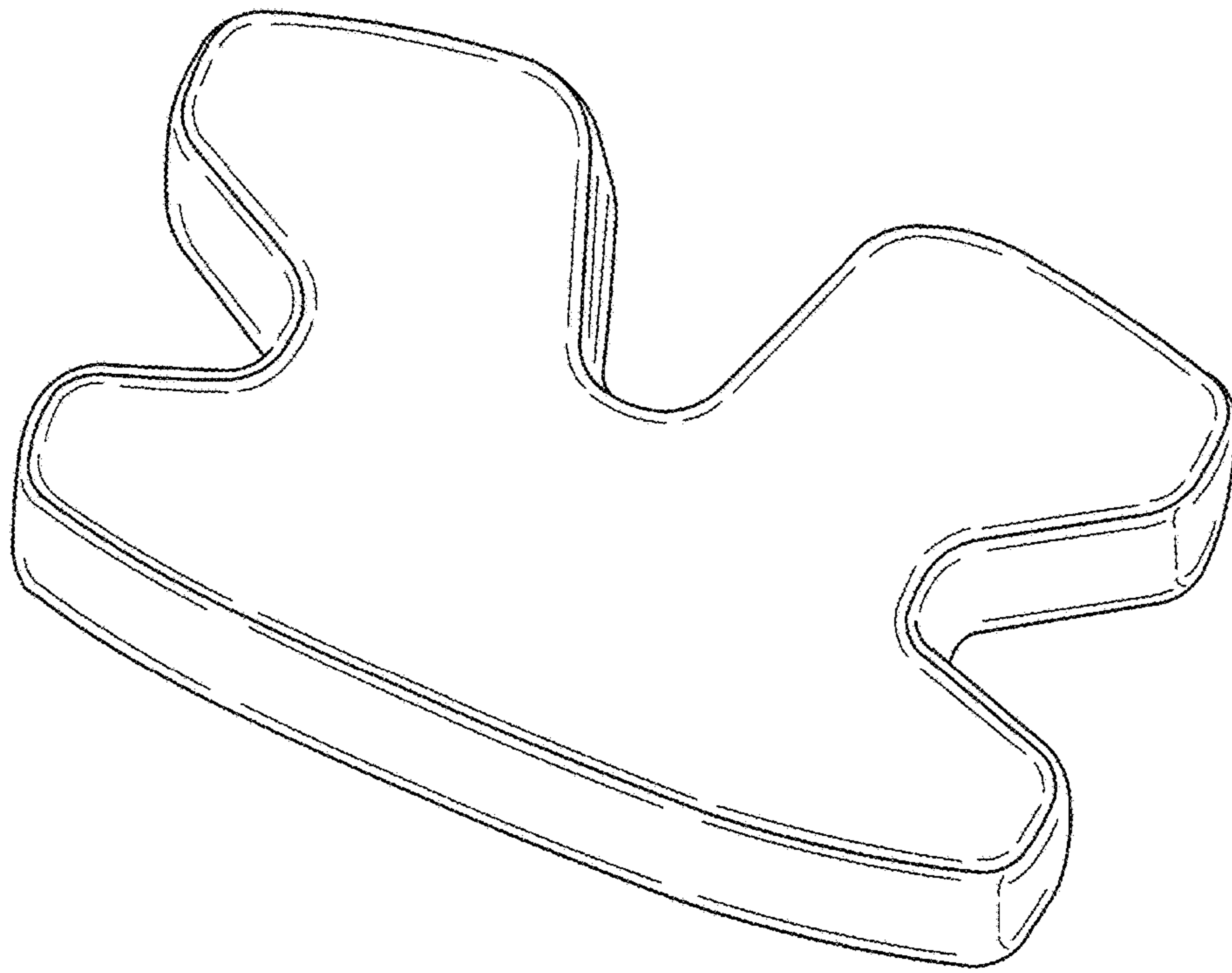




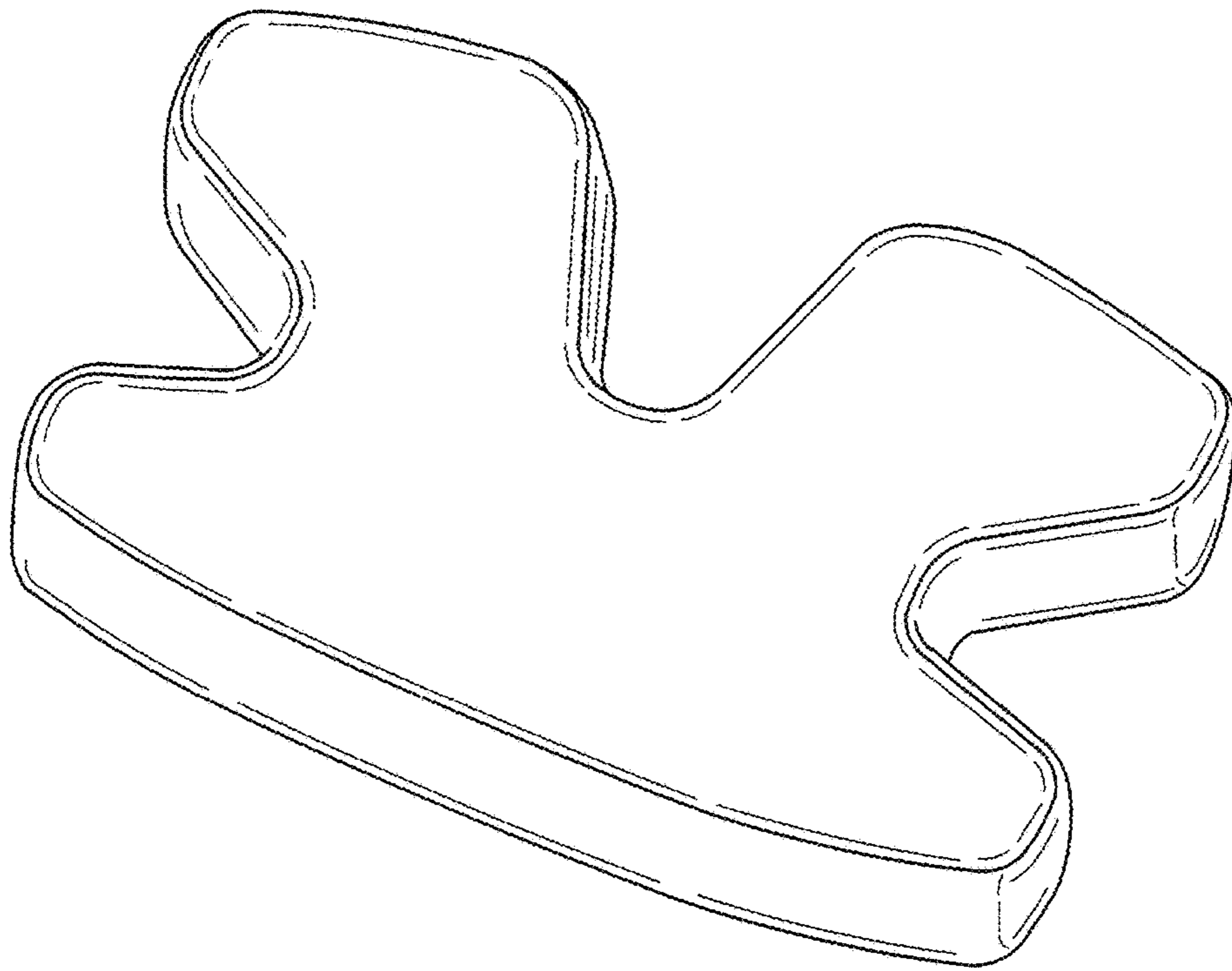
*FIG. 7*



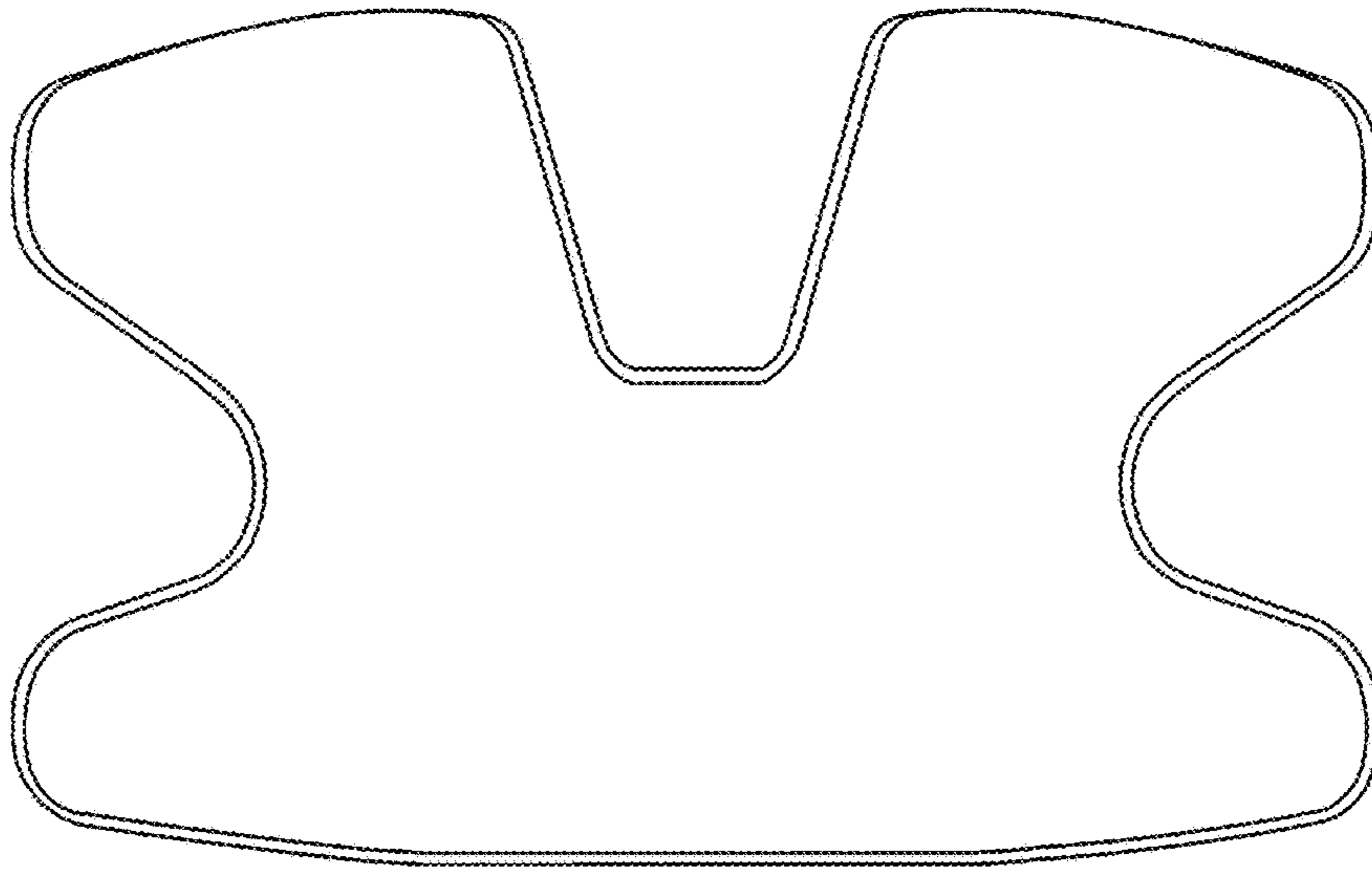
*FIG. 8*



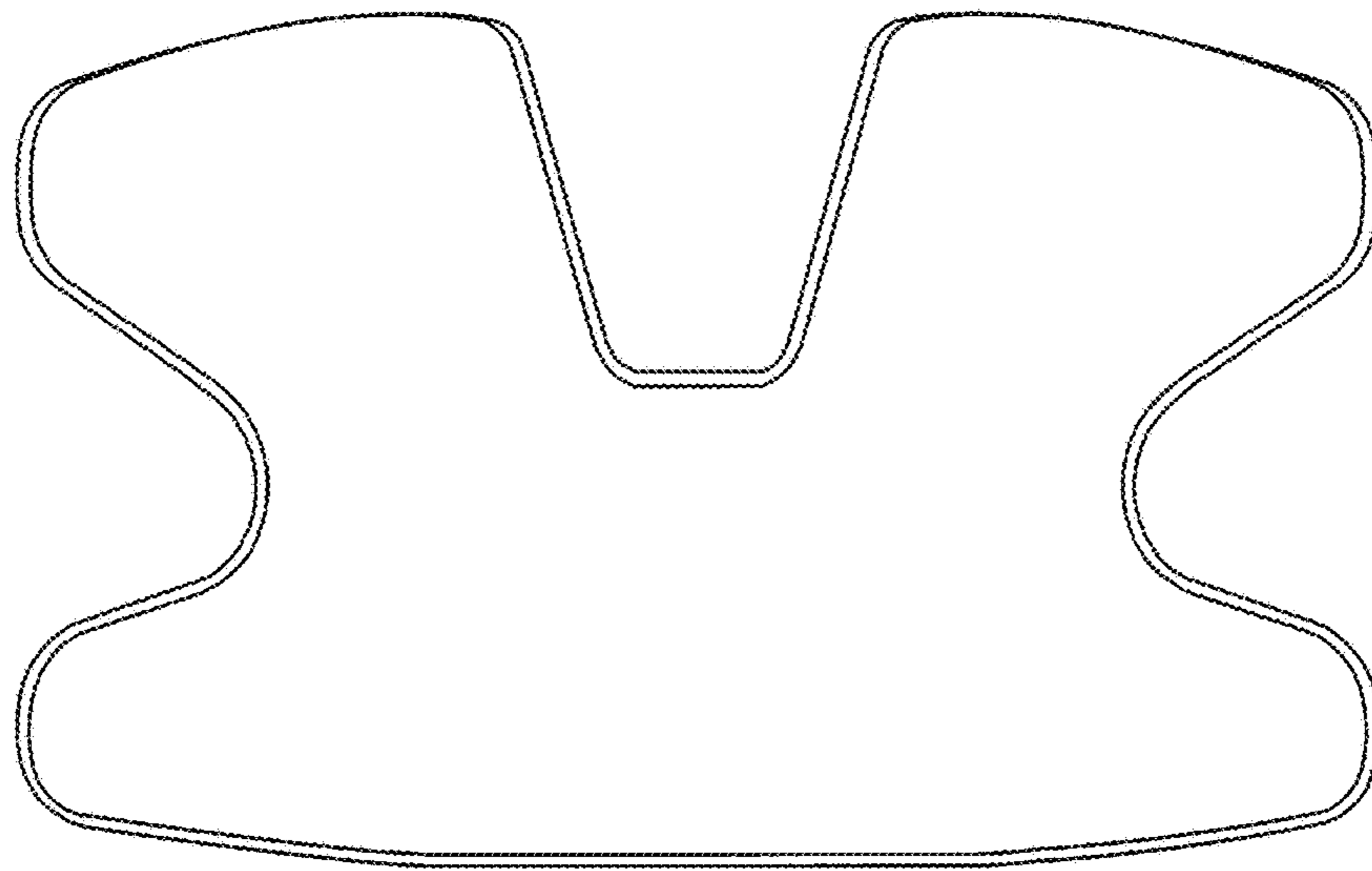
*FIG. 9*



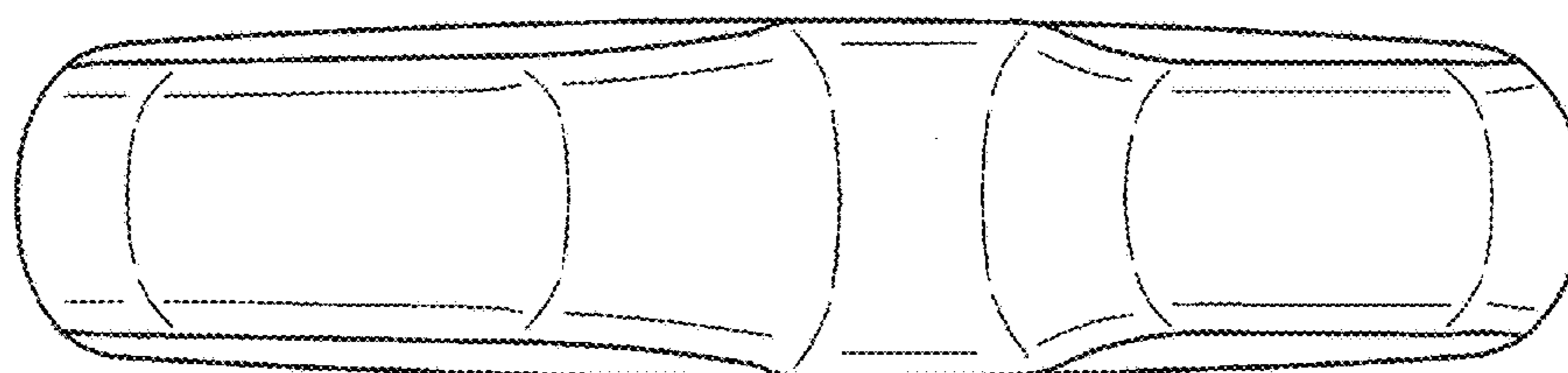
*FIG. 10*



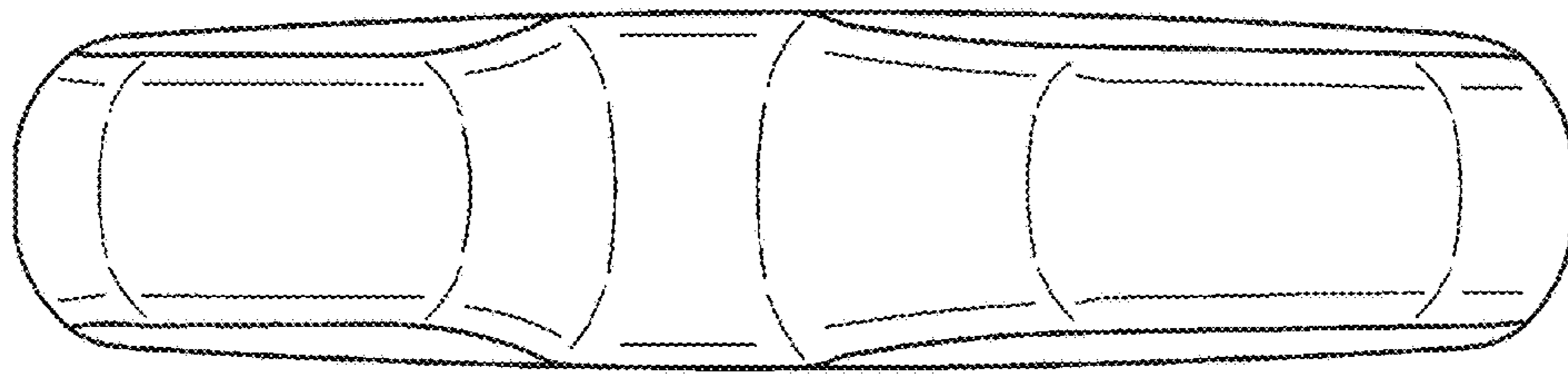
*FIG. 11*



*FIG. 12*

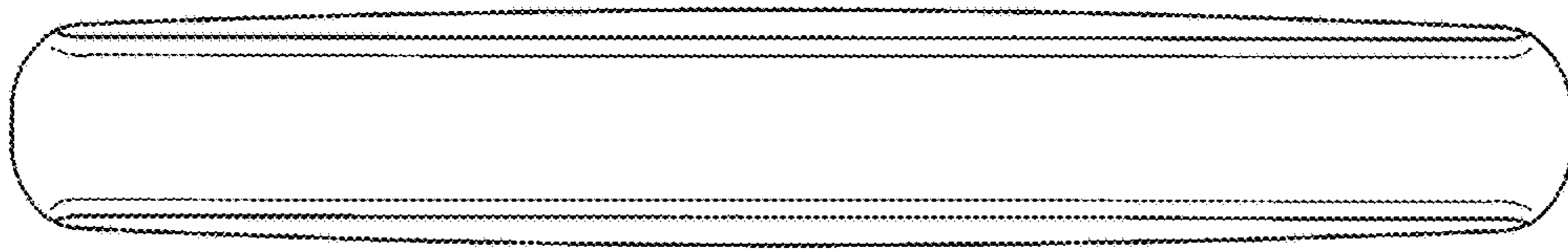


*FIG. 13*

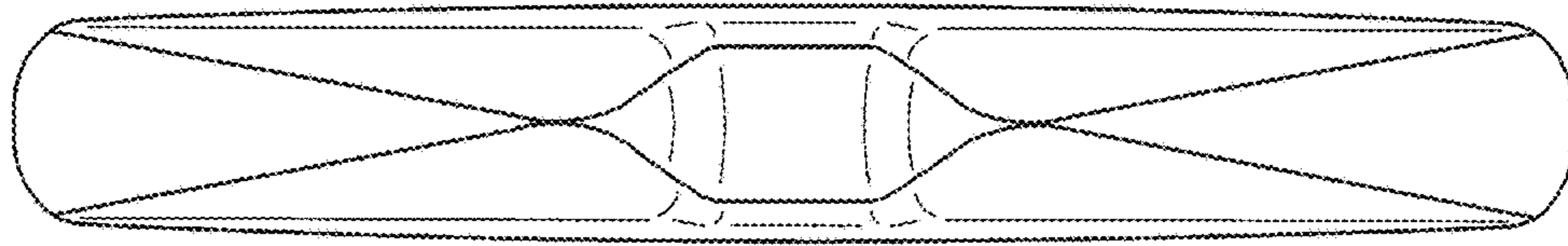


*FIG. 14*





*FIG. 15*



*FIG. 16*