



US00D837566S

(12) **United States Design Patent** (10) **Patent No.:** **US D837,566 S**  
**Connors et al.** (45) **Date of Patent:** **\*\* Jan. 8, 2019**

(54) **PELVIS SUPPORT ASSEMBLY**  
(71) Applicant: **Posture & Purpose, LLC**, Ann Arbor, MI (US)  
(72) Inventors: **Patricia Connors**, Ann Arbor, MI (US); **Daniel John Connors**, Brooklyn, NY (US)  
(73) Assignee: **Posture & Purpose, LLC**, Ann Arbor, MI (US)  
(\*\*) Term: **15 Years**  
(21) Appl. No.: **29/596,837**  
(22) Filed: **Mar. 10, 2017**  
(51) **LOC (11) Cl.** ..... **06-09**  
(52) **U.S. Cl.**  
USPC ..... **D6/601**  
(58) **Field of Classification Search**  
USPC ..... D6/333, 349, 355, 375, 388, 512, 563, D6/564, 595, 596, 601, 604, 611, 707, D6/715, 716, 716.1; D24/183-185, 234; D21/803, 804, 805, 809; 5/401, 420, 5/600, 630, 631, 632, 633, 635, 636, 638, 5/639, 646, 652, 652.1, 655, 703, 730; 297/401, 420, 600, 630, 631, 632, 633, 297/635, 636, 638, 639, 646, 652, 652.1, 297/655, 703, 730  
CPC .. A47G 9/1018; A47G 9/1009; A47G 9/1027; A47G 9/1045; A47G 9/1063; A47G 9/1072; A47G 9/1081  
See application file for complete search history.

(56) **References Cited**  
U.S. PATENT DOCUMENTS  
4,292,697 A \* 10/1981 Alembik ..... A47C 17/23 5/18.1  
D308,455 S \* 6/1990 Jenney ..... 5/636

D327,198 S \* 6/1992 Erker, Jr. .... 5/639  
D390,298 S \* 2/1998 Ince ..... 5/633  
D456,659 S \* 5/2002 Landvik ..... D6/601  
D466,750 S \* 12/2002 Landvik ..... D6/601  
D500,622 S \* 1/2005 Owen ..... D6/596  
D539,066 S \* 3/2007 Coquillette ..... D6/601  
D608,102 S \* 1/2010 Kemm ..... D6/361  
D610,852 S \* 3/2010 Rothschild ..... D6/601  
D642,412 S \* 8/2011 Cuba ..... D6/601  
D711,669 S \* 8/2014 Holder ..... D6/601  
D712,677 S \* 9/2014 Clute ..... D6/390  
D732,312 S \* 6/2015 Tiffin ..... D6/601  
D734,545 S \* 7/2015 Cantu ..... D28/57  
D752,900 S \* 4/2016 Ueno ..... D6/601  
D771,414 S \* 11/2016 Krishtul ..... D6/601  
D793,769 S \* 8/2017 Nacey ..... D6/601  
D805,325 S \* 12/2017 Chan ..... D6/601  
D808,194 S \* 1/2018 Wyborn ..... D6/601  
D808,195 S \* 1/2018 Wyborn ..... D6/601

(Continued)

*Primary Examiner* — Michelle E. Wilson  
*Assistant Examiner* — Sanjeev Paul  
(74) *Attorney, Agent, or Firm* — Buckert Patent & Trademark Law Firm PC; John F. Buckert

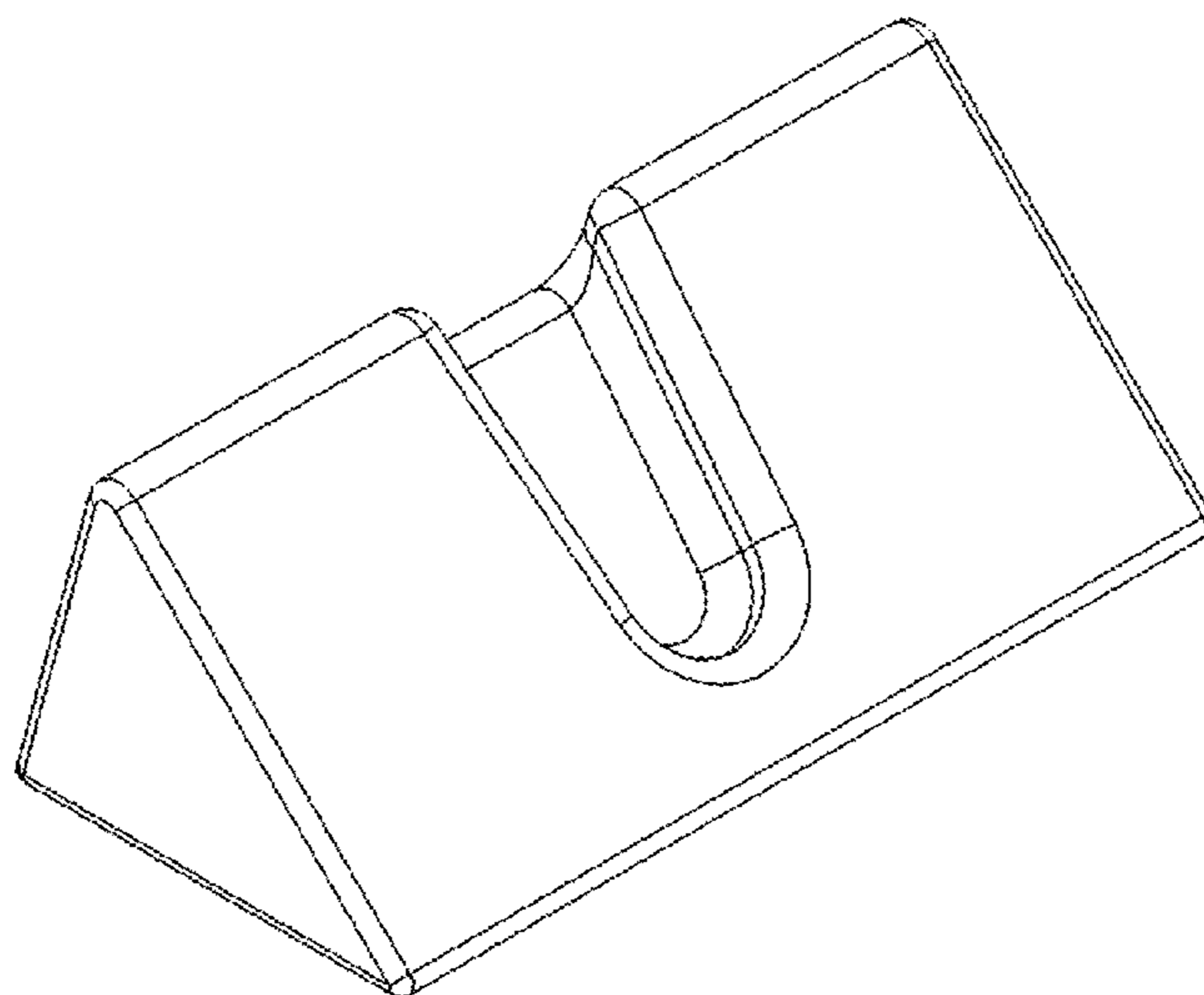
(57) **CLAIM**

The ornamental design for a pelvis support assembly, as shown and described.

**DESCRIPTION**

FIG. 1 is an isometric view of another pelvis support assembly showing my new design.  
FIG. 2 is a side view of the pelvis support assembly of FIG. 1.  
FIG. 3 is a top view of the pelvis support assembly of FIG. 1.  
FIG. 4 is a front view of the pelvis support assembly of FIG. 1; and,  
FIG. 5 is a bottom view of the pelvis support assembly of FIG. 1.

**1 Claim, 2 Drawing Sheets**



(56)

**References Cited**

U.S. PATENT DOCUMENTS

2007/0022537 A1\* 2/2007 Faustick ..... A47C 5/125  
5/655  
2012/0186025 A1\* 7/2012 Kardos ..... A47C 7/425  
5/655.9  
2014/0263878 A1\* 9/2014 Moy ..... G06F 3/039  
248/118

\* cited by examiner

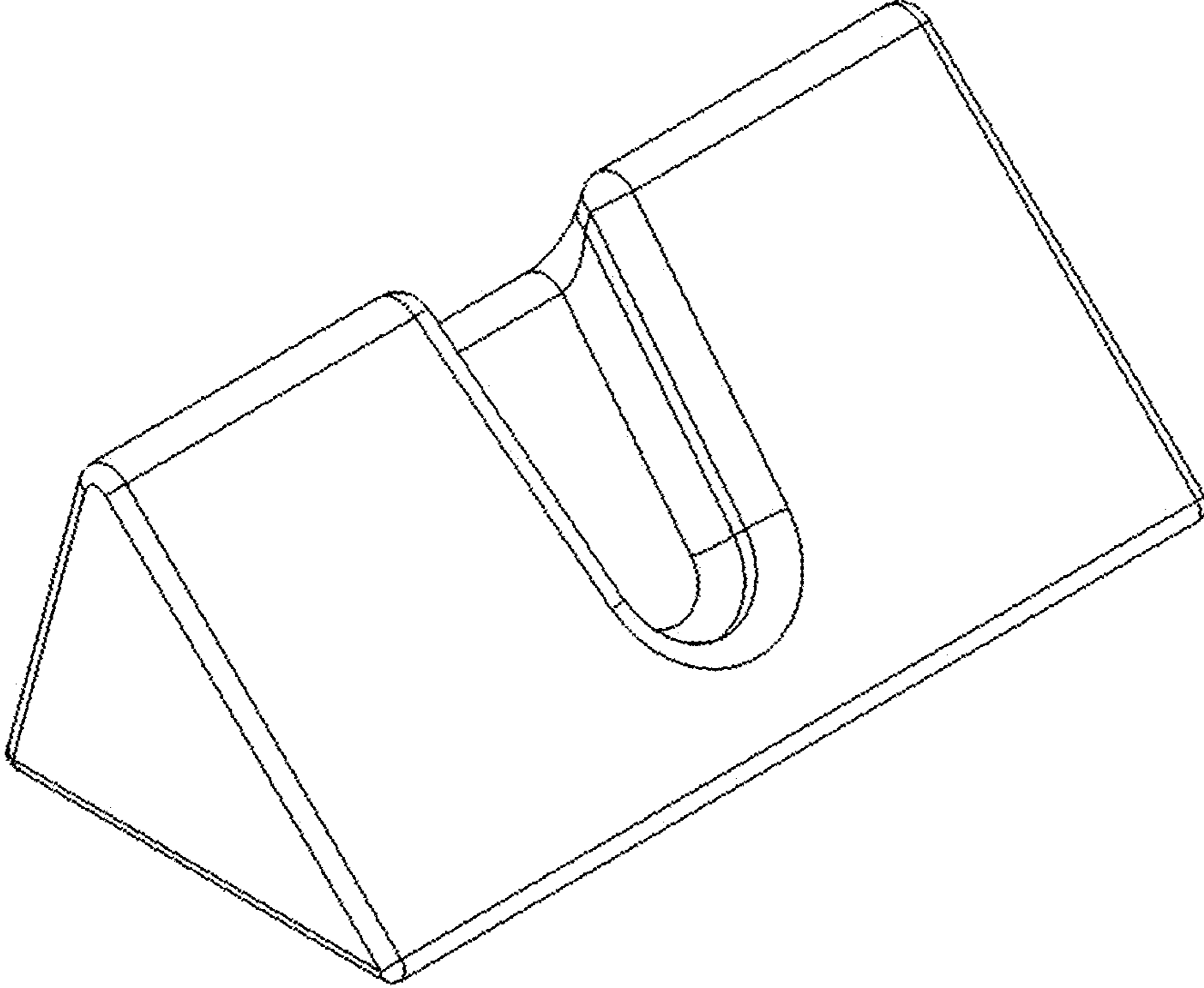


FIG. 1

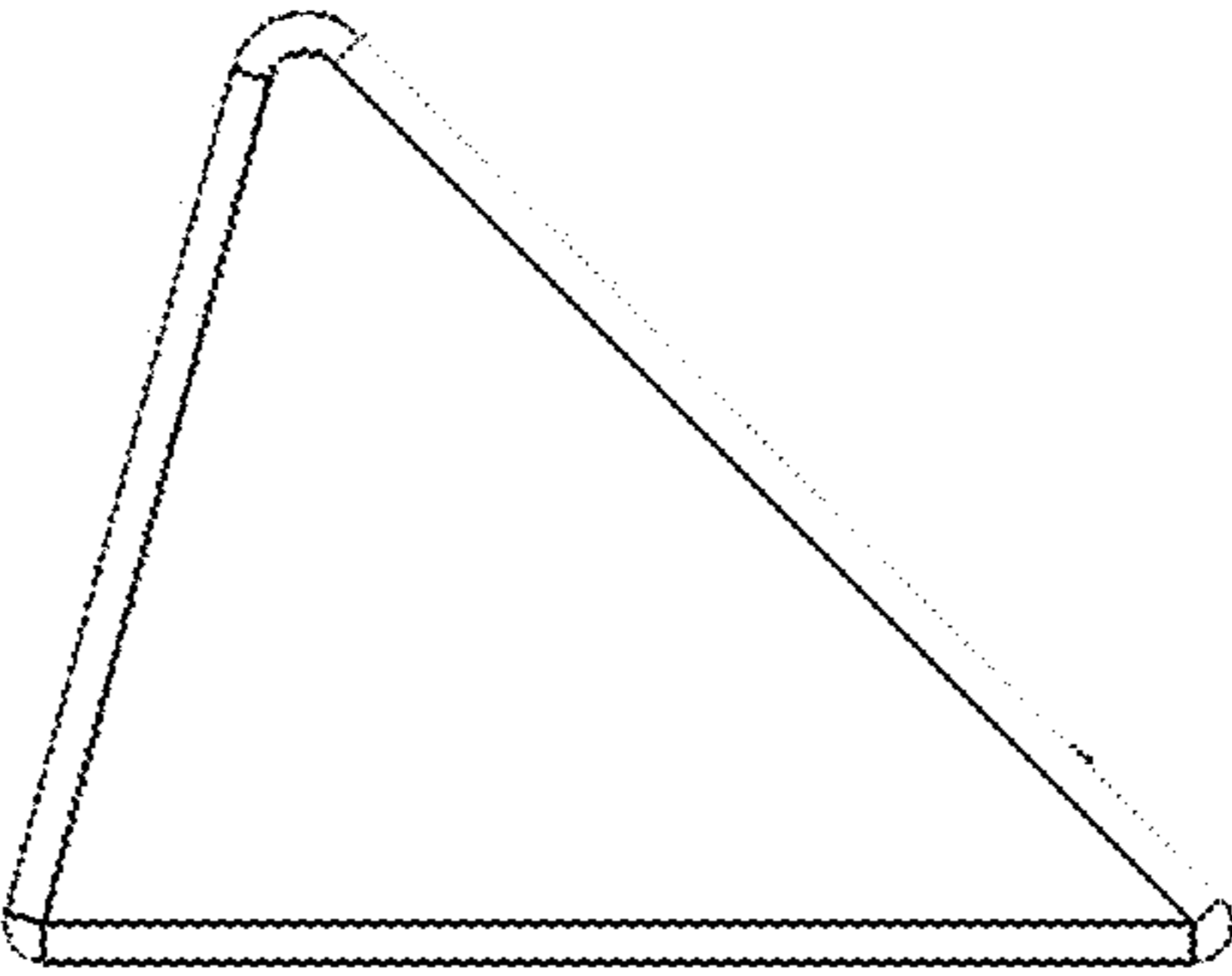


FIG. 2

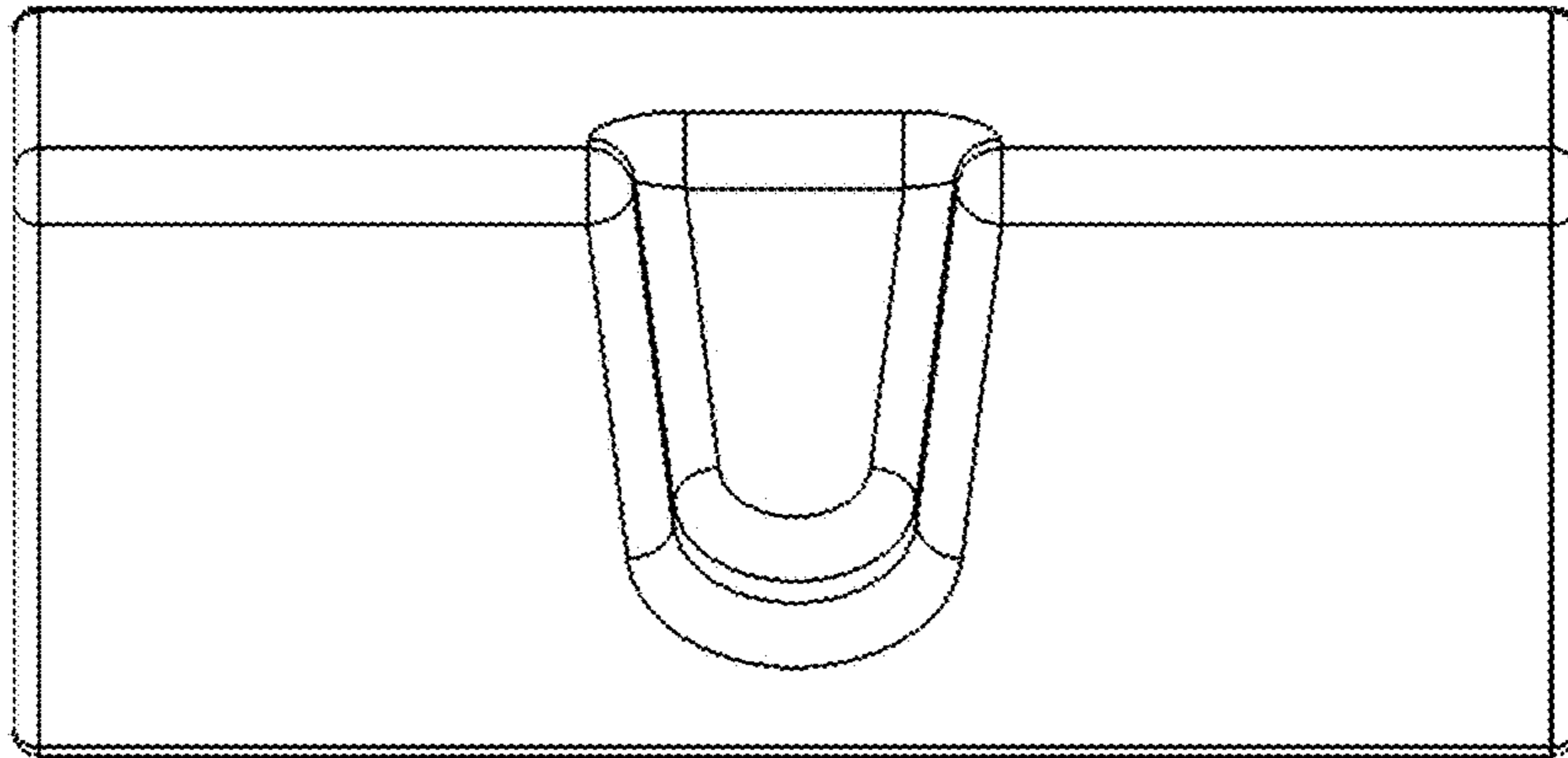


FIG. 3

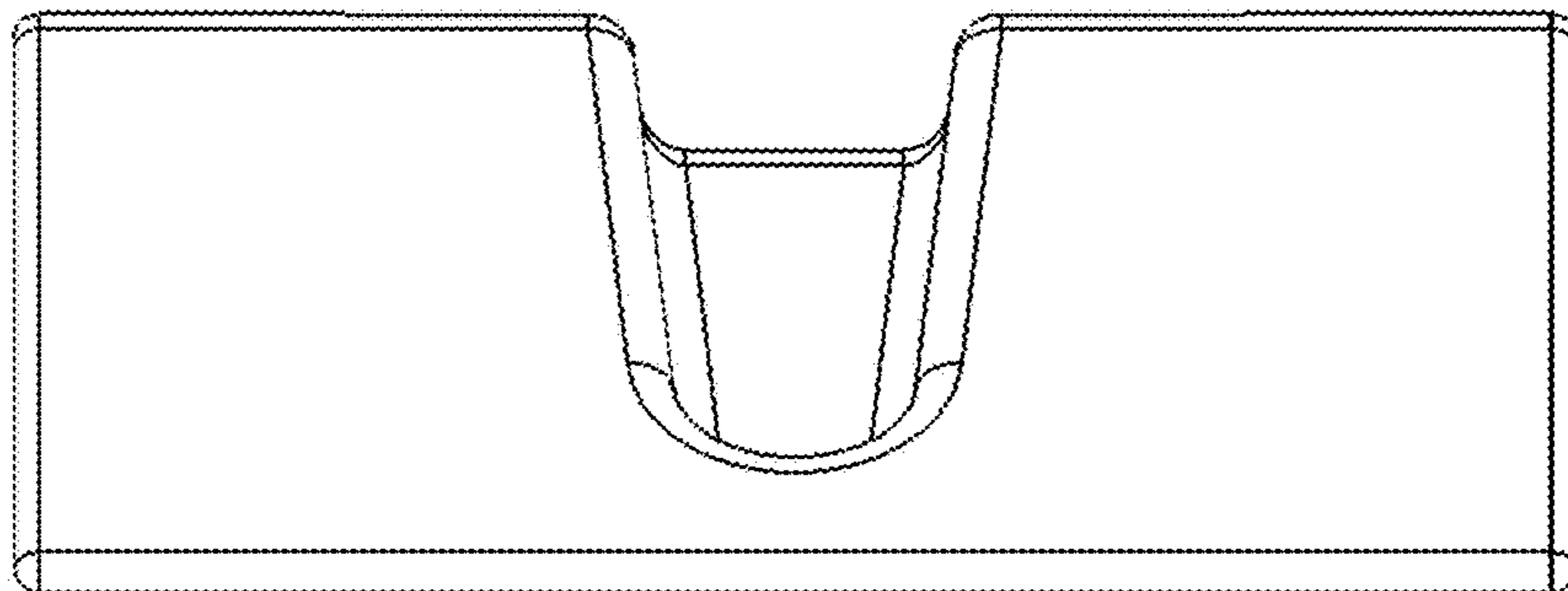


FIG. 4

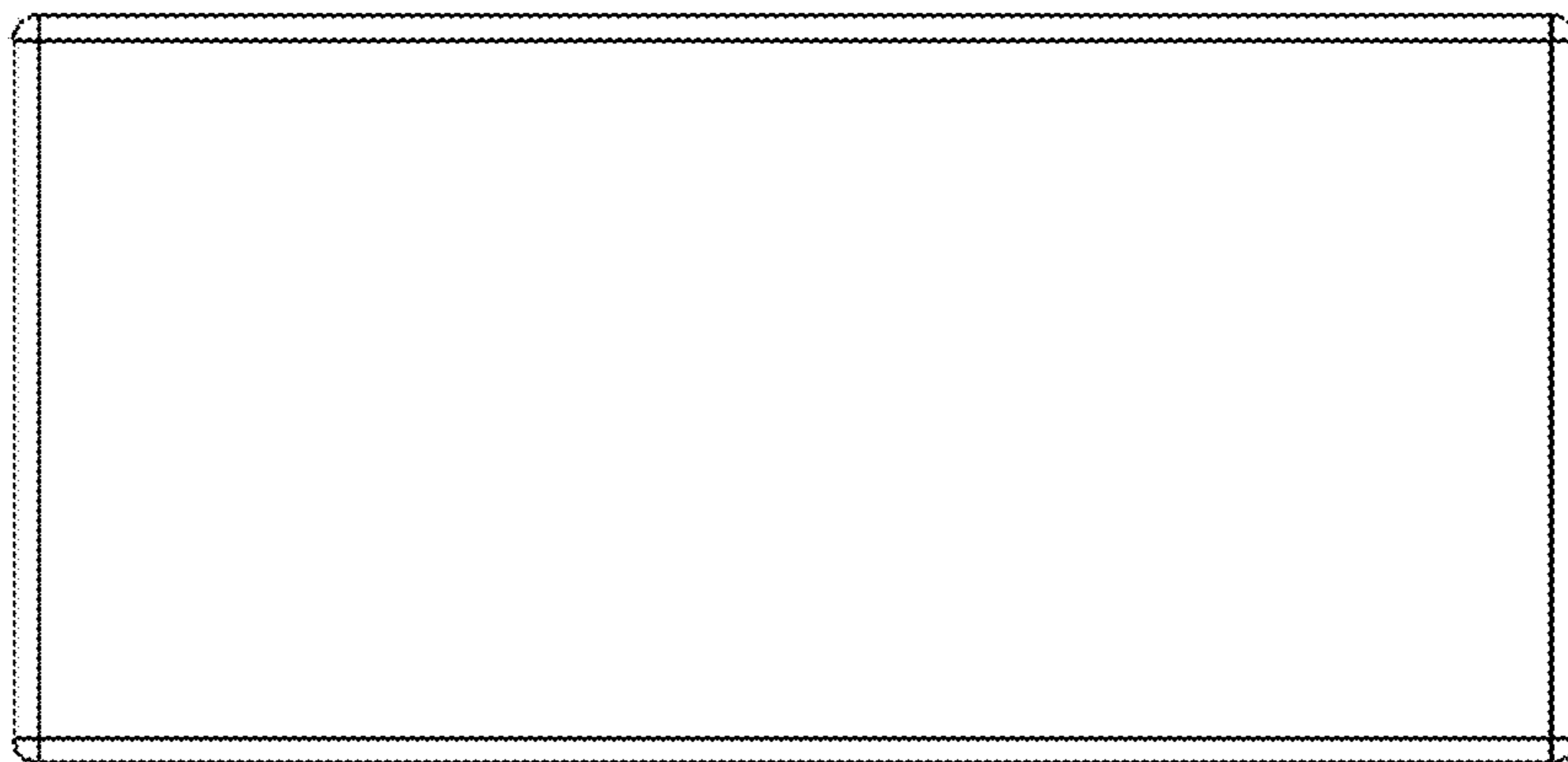


FIG. 5