



US00D837563S

(12) **United States Design Patent**  
**Goodman et al.**

(10) **Patent No.:** **US D837,563 S**  
(45) **Date of Patent:** **\*\* Jan. 8, 2019**

(54) **COMBINED BASKET AND TOWEL BAR**

(71) Applicant: **Spectrum Diversified Designs, LLC**,  
Streetsboro, OH (US)

(72) Inventors: **Sheldon H. Goodman**, Solon, OH  
(US); **Courtney K. Wilson**, Chardon,  
OH (US)

(73) Assignee: **Spectrum Diversified Designs, LLC**,  
Streetsboro, OH (US)

(\*\*) Term: **15 Years**

(21) Appl. No.: **29/622,797**

(22) Filed: **Oct. 19, 2017**

(51) **LOC (11) Cl.** ..... **06-06**

(52) **U.S. Cl.**  
USPC ..... **D6/566**

(58) **Field of Classification Search**  
USPC ..... D7/704, 601; D6/566, 513, 537, 675.2,  
D6/675.5, 676.5, 677.5, 678.4, 680.3;  
D3/304, 306  
CPC ..... B65D 21/0211; A47F 5/00; A47F 5/0056;  
A47F 5/08; A47F 5/14; A47F 7/00; A47B  
73/002; A47B 73/00; A47B 47/008; A47B  
47/0058; A47B 23/00; A47B 41/06;  
A47D 15/00; A47D 19/04; A47G 19/08;  
A47G 23/02; A47J 47/16

See application file for complete search history.

(56) **References Cited**

**U.S. PATENT DOCUMENTS**

D584,056 S	*	1/2009	Ghiorghie	.....	D3/304
D588,814 S	*	3/2009	Ghiorghie	.....	D3/304
D616,680 S	*	6/2010	Snider	.....	D6/513
D650,209 S	*	12/2011	Snider	.....	D6/513
D718,054 S	*	11/2014	Goodman	.....	D3/306

(Continued)

*Primary Examiner* — Terry A Wallace

(74) *Attorney, Agent, or Firm* — Benesch, Friedlander,  
Coplan & Aronoff LLP

(57) **CLAIM**

What is claimed is the ornamental design for a combined  
basket and towel bar, as shown and described.

**DESCRIPTION**

FIG. 1 is a perspective view of a combined basket and towel  
bar showing a new design;

FIG. 2 is a front view of the combined basket and towel bar  
of FIG. 1;

FIG. 3 is a rear view of the combined basket and towel bar  
of FIG. 1;

FIG. 4 is a right side view of the combined basket and towel  
bar of FIG. 1;

FIG. 5 is a left side view of the combined basket and towel  
bar of FIG. 1;

FIG. 6 is a top view of the combined basket and towel bar  
of FIG. 1;

FIG. 7 is a bottom view of the combined basket and towel  
bar of FIG. 1;

FIG. 8 is a perspective view of another embodiment of the  
combined basket and towel bar of FIG. 1;

FIG. 9 is a front view of the combined basket and towel bar  
of FIG. 8;

FIG. 10 is a rear view of the combined basket and towel bar  
of FIG. 8;

FIG. 11 is a right side view of the combined basket and towel  
bar of FIG. 8;

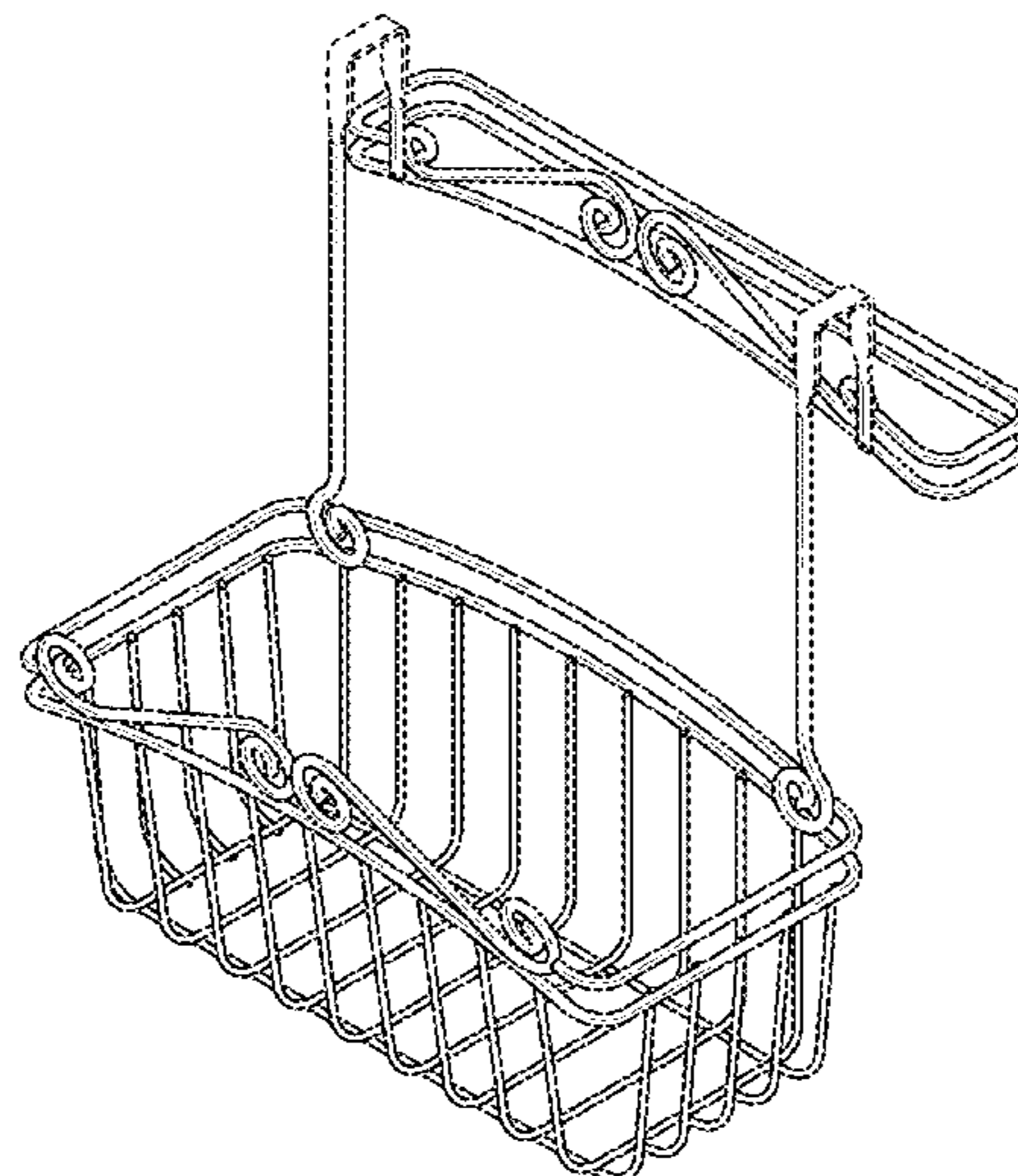
FIG. 12 is a left side view of the combined basket and towel  
bar of FIG. 8;

FIG. 13 is a top view of the combined basket and towel bar  
of FIG. 8; and,

FIG. 14 is a bottom view of the combined basket and towel  
bar of FIG. 8.

The components of the drawings shown in broken lines  
illustrate portions of the basket that form no part of the  
claimed design.

**1 Claim, 8 Drawing Sheets**



(56)

**References Cited**

U.S. PATENT DOCUMENTS

D728,255 S \* 5/2015 Guindi ..... D6/513  
D764,171 S 8/2016 Goodman et al.

\* cited by examiner

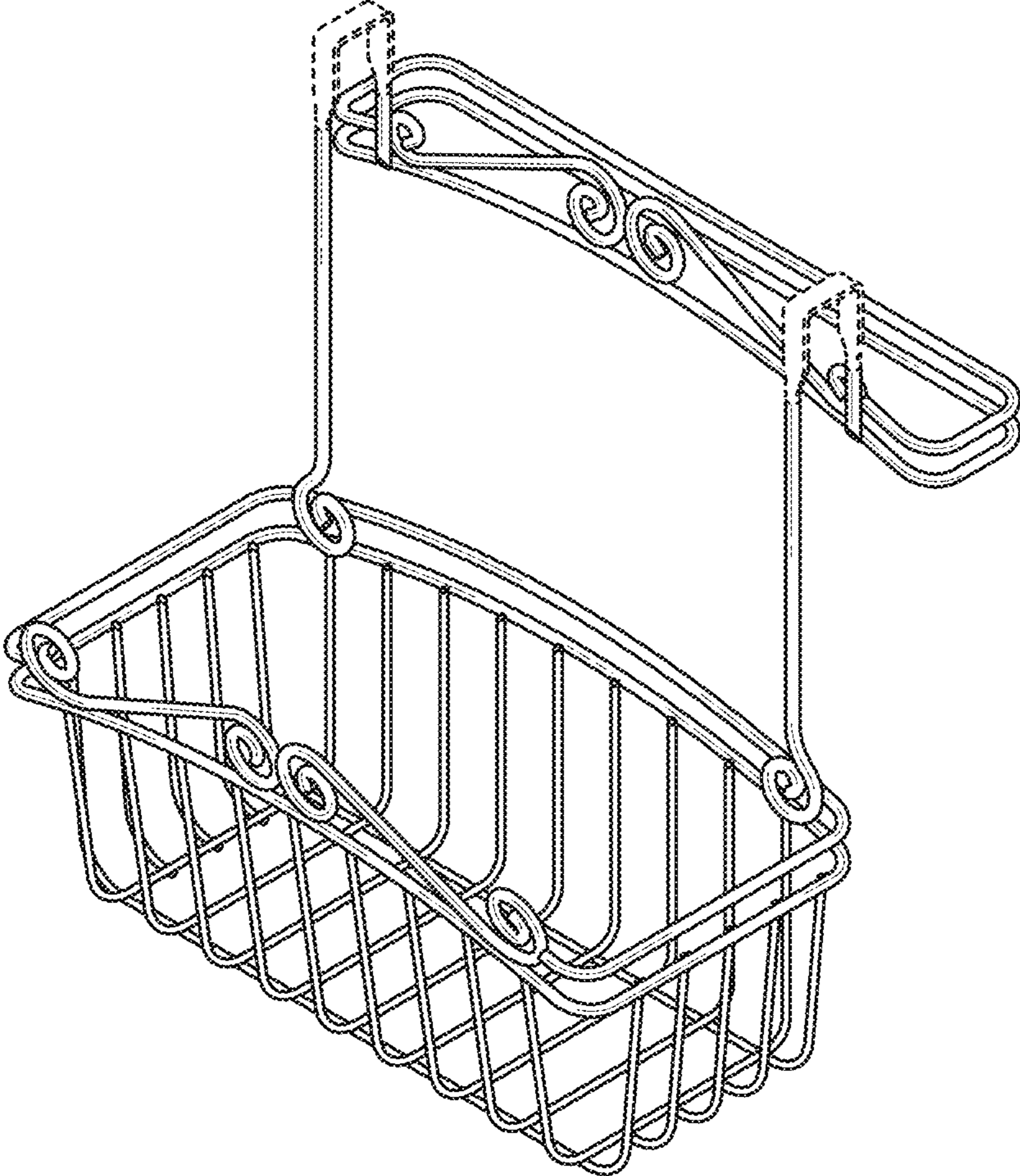


FIG. 1

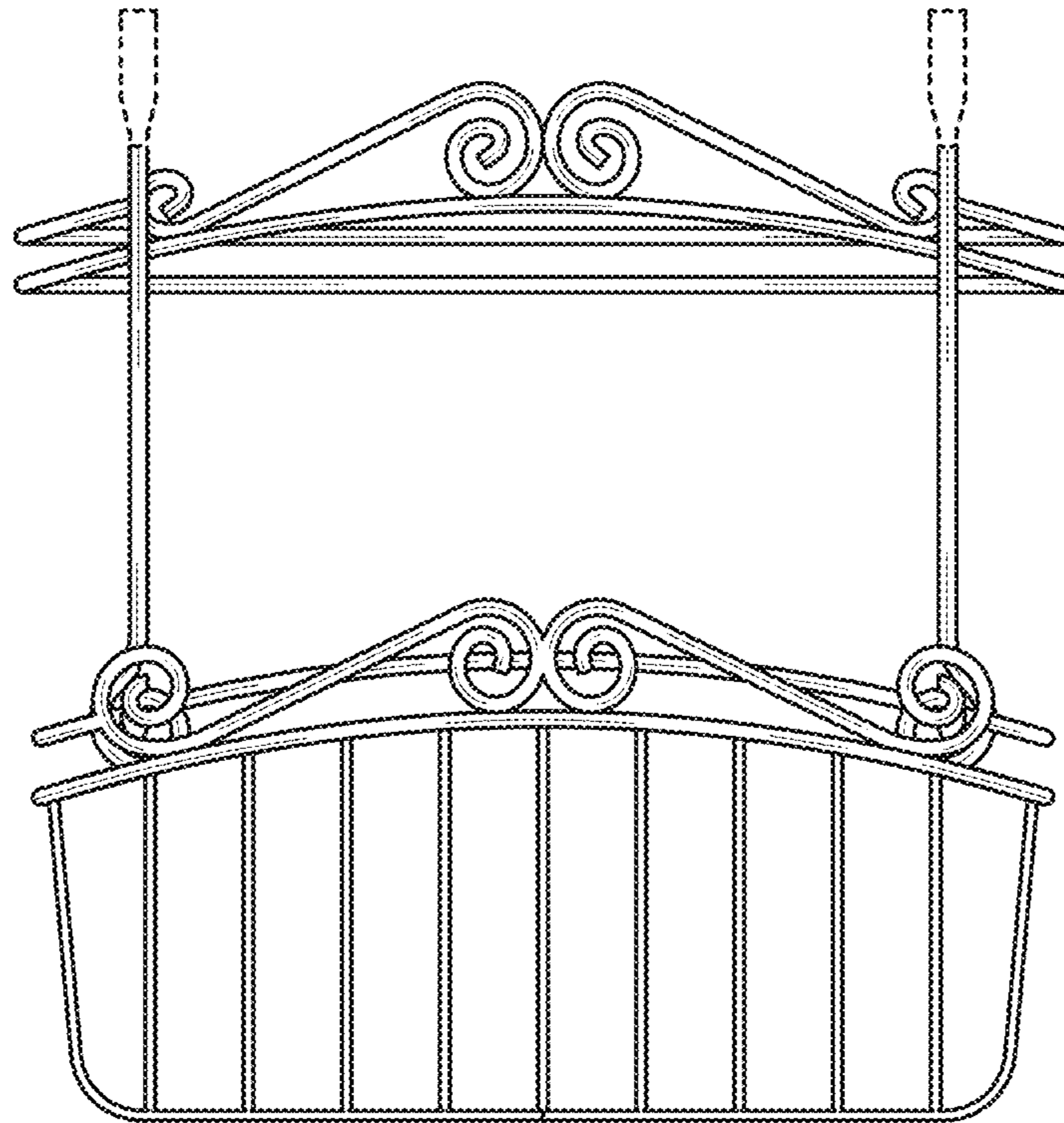


FIG. 2

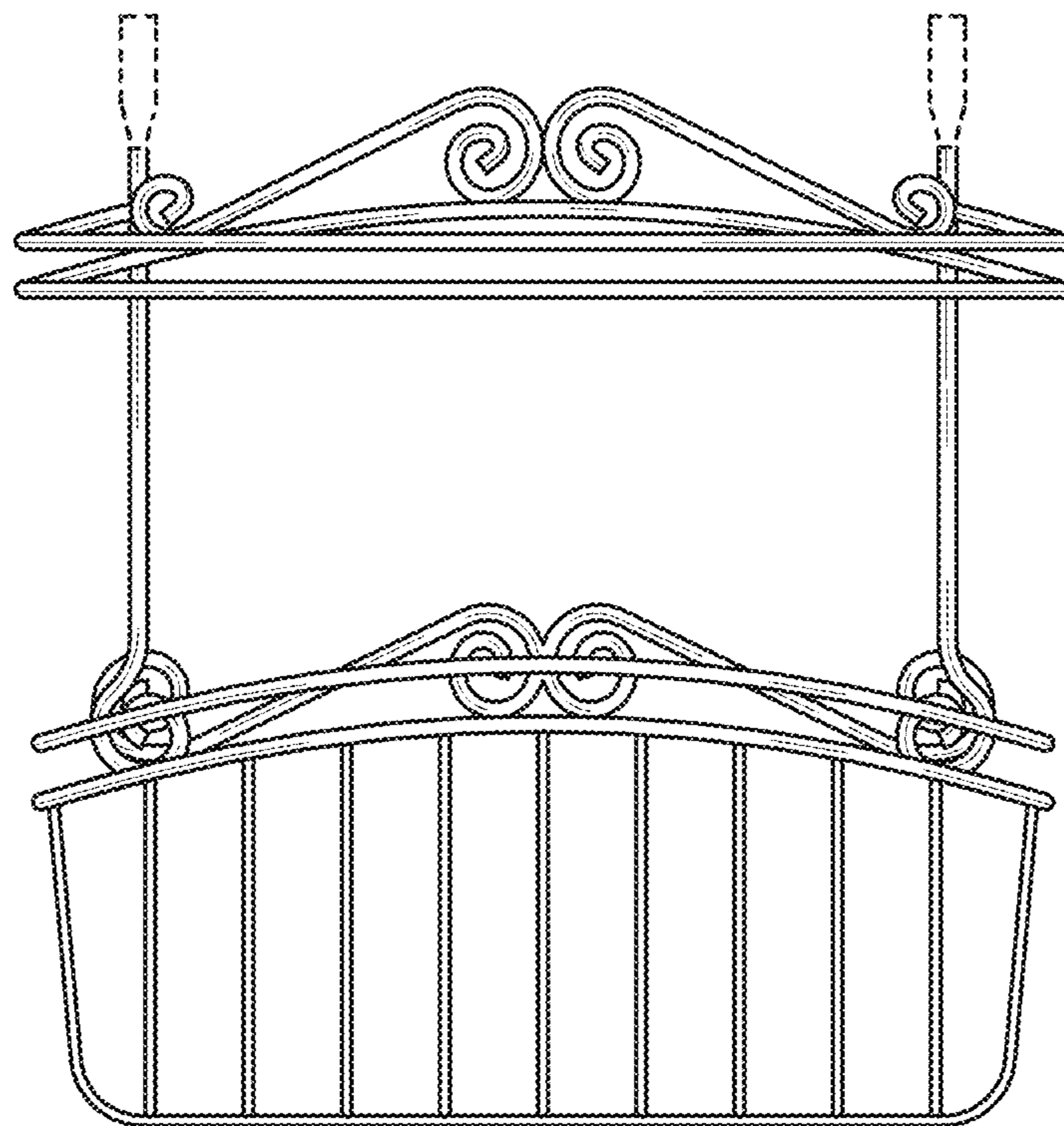


FIG. 3

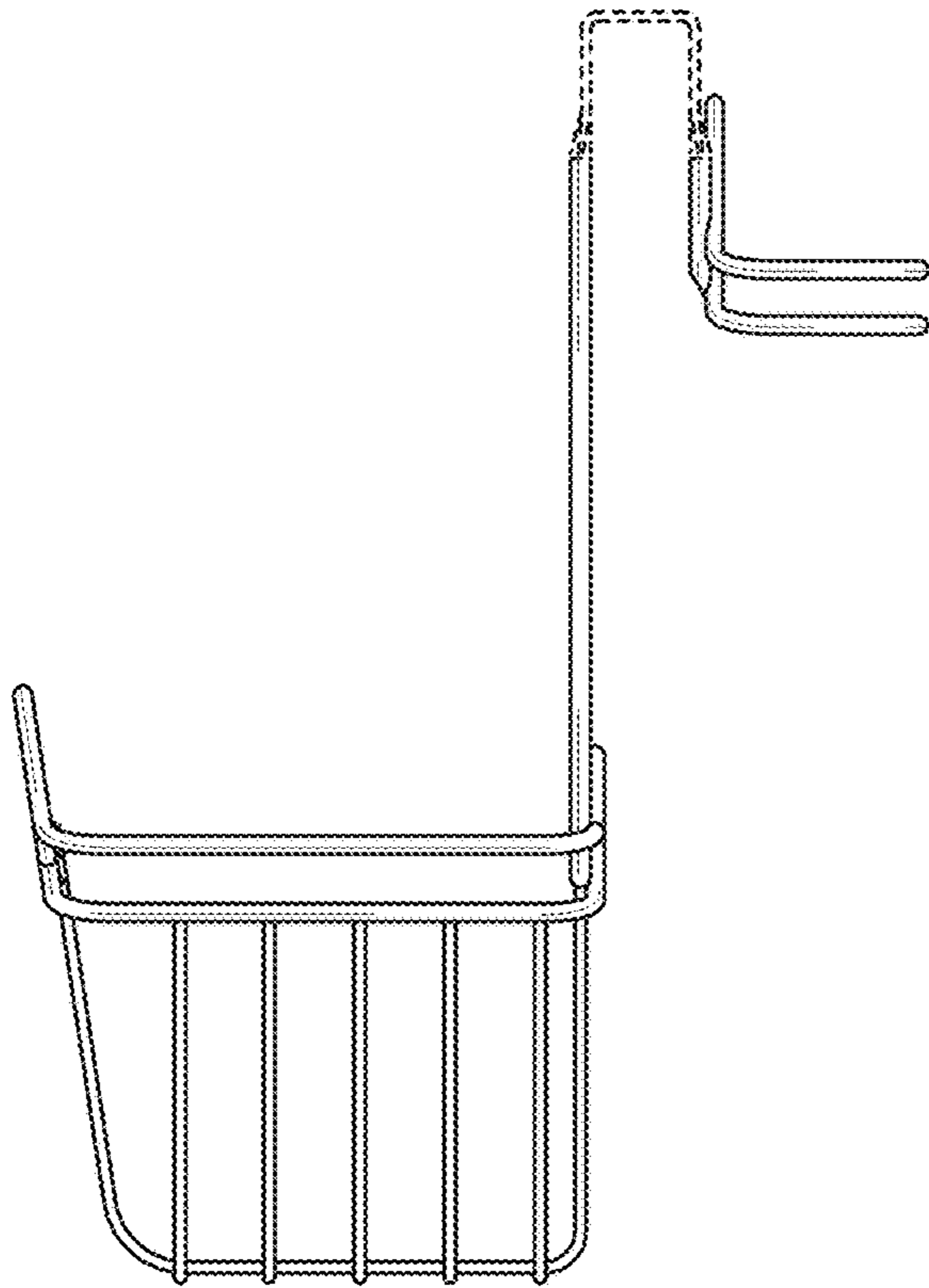


FIG. 4

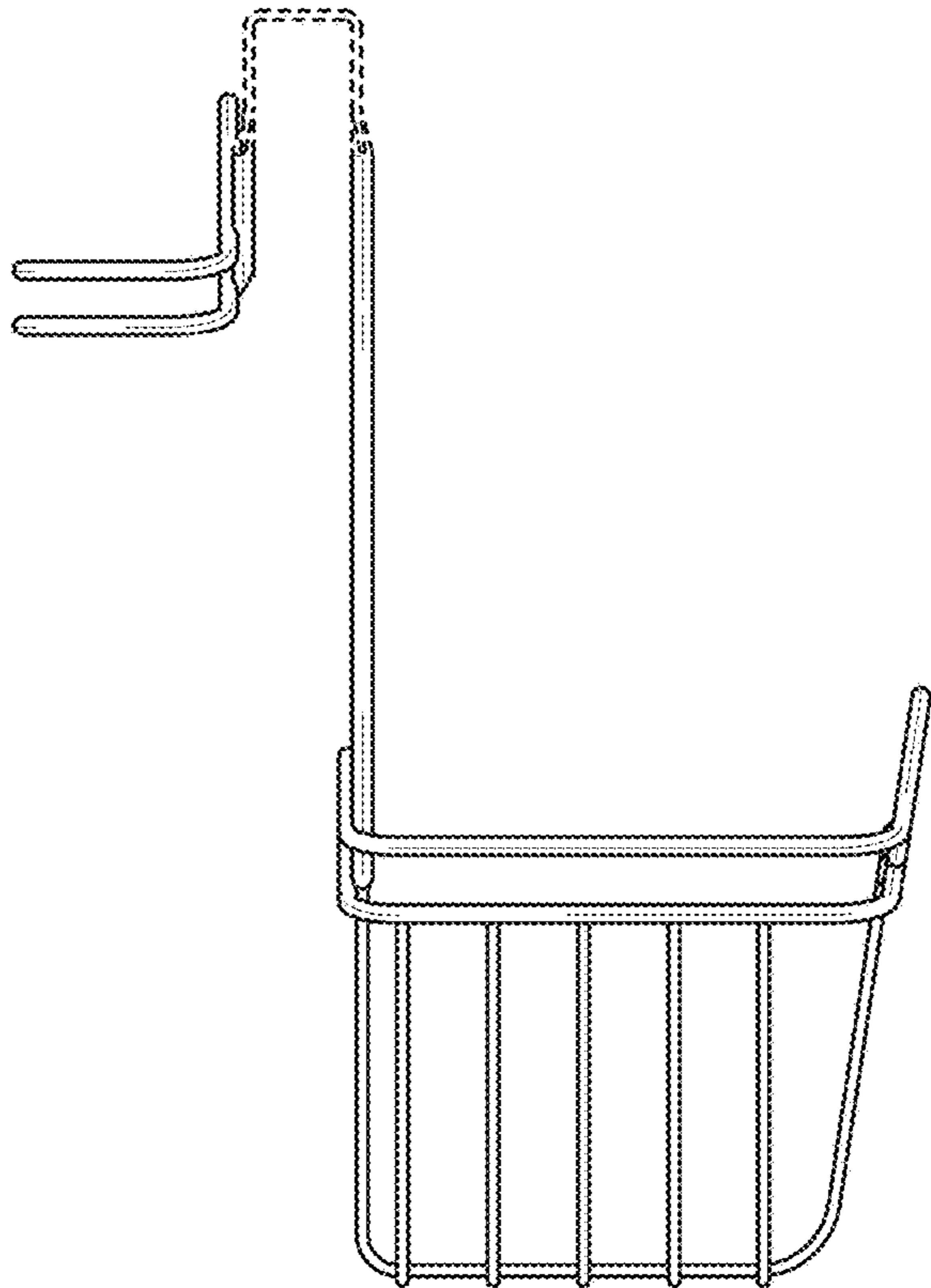


FIG. 5

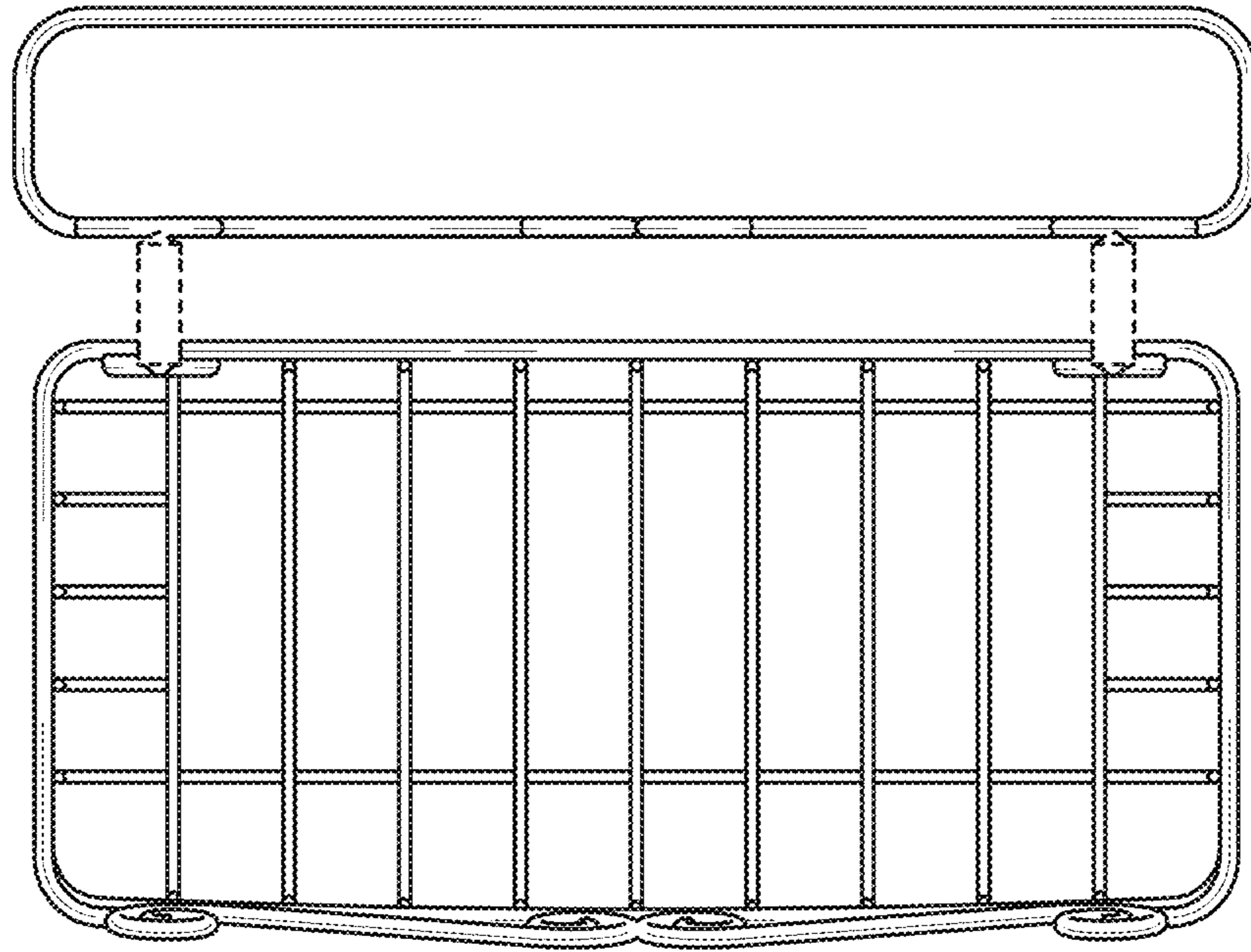


FIG. 6

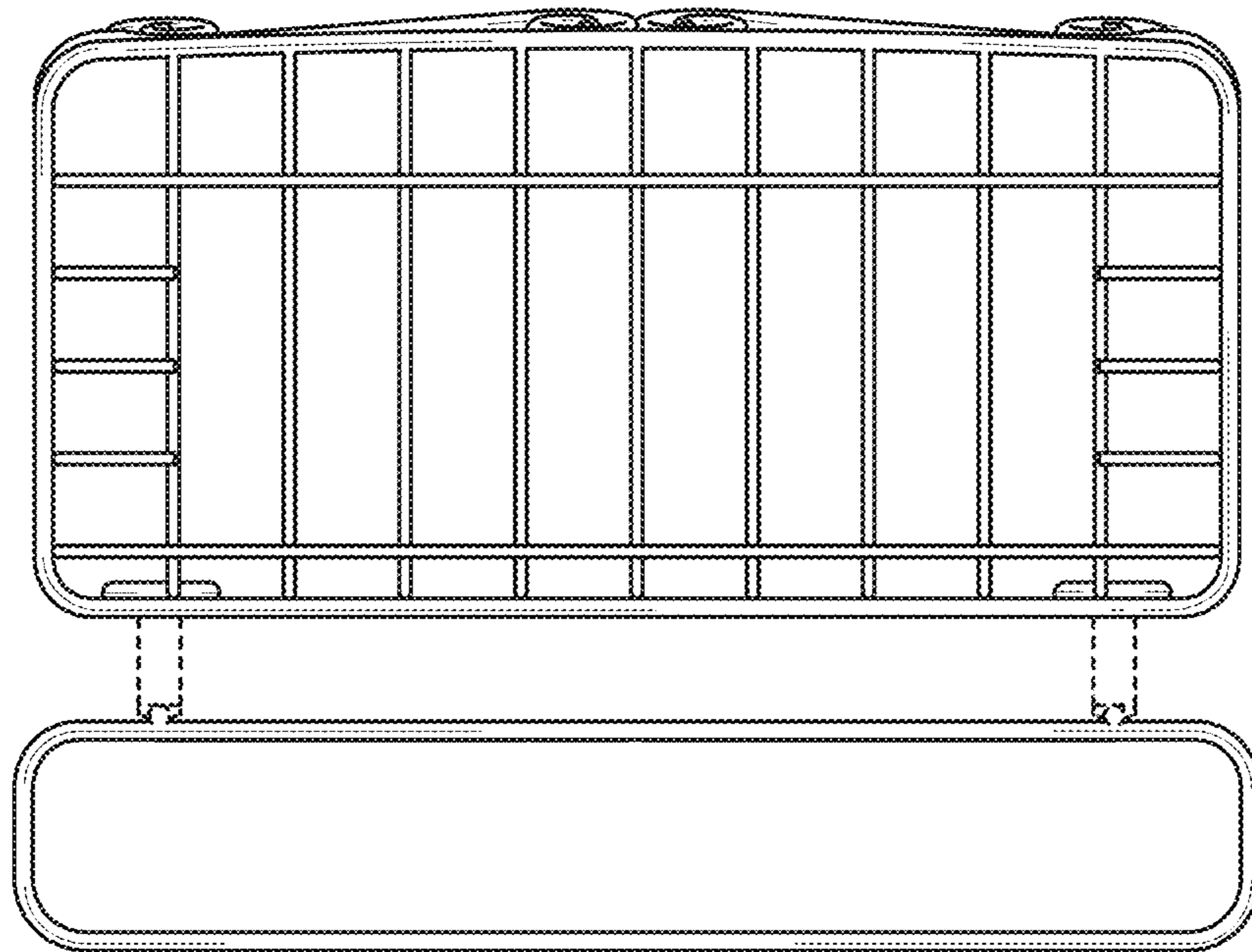


FIG. 7

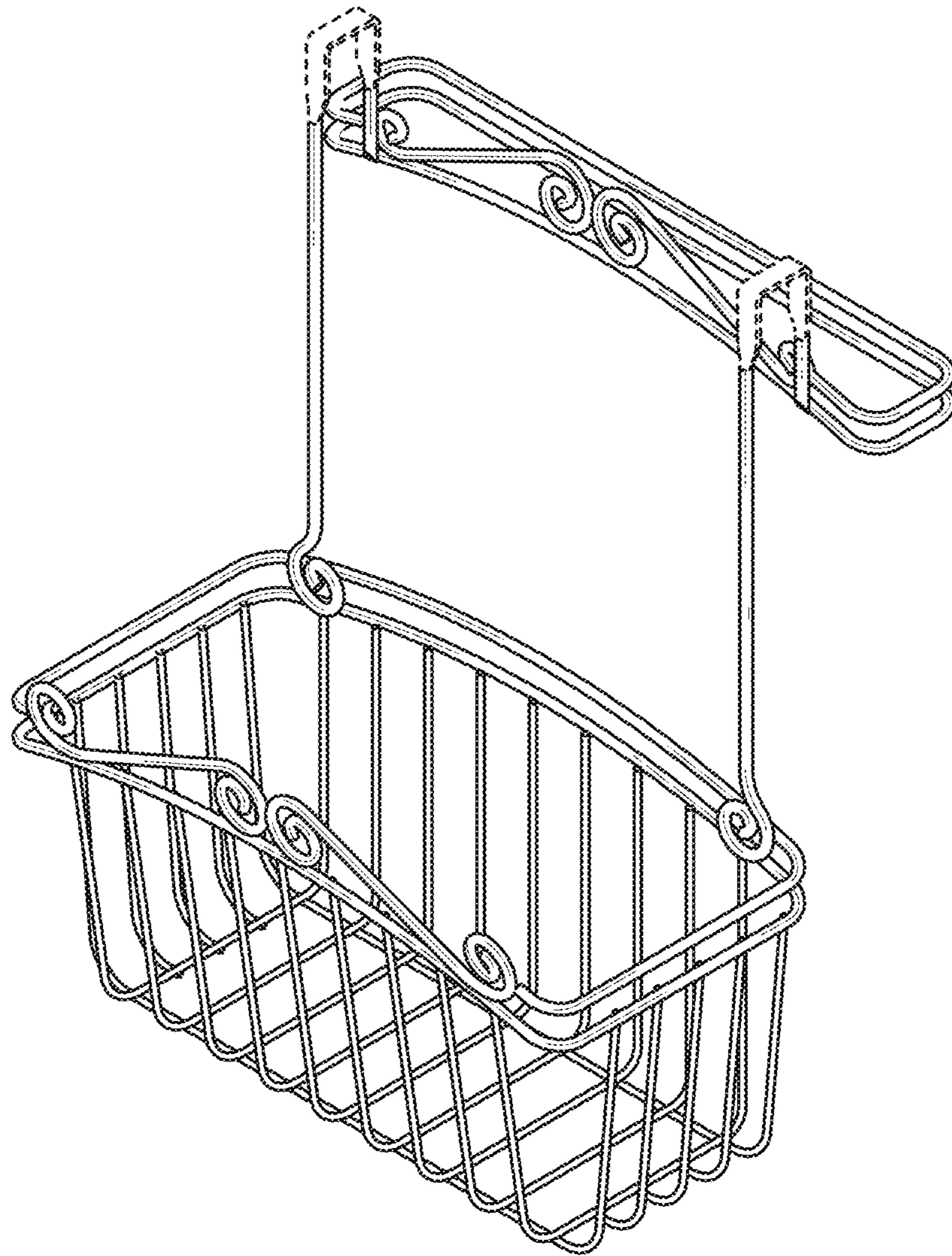


FIG. 8

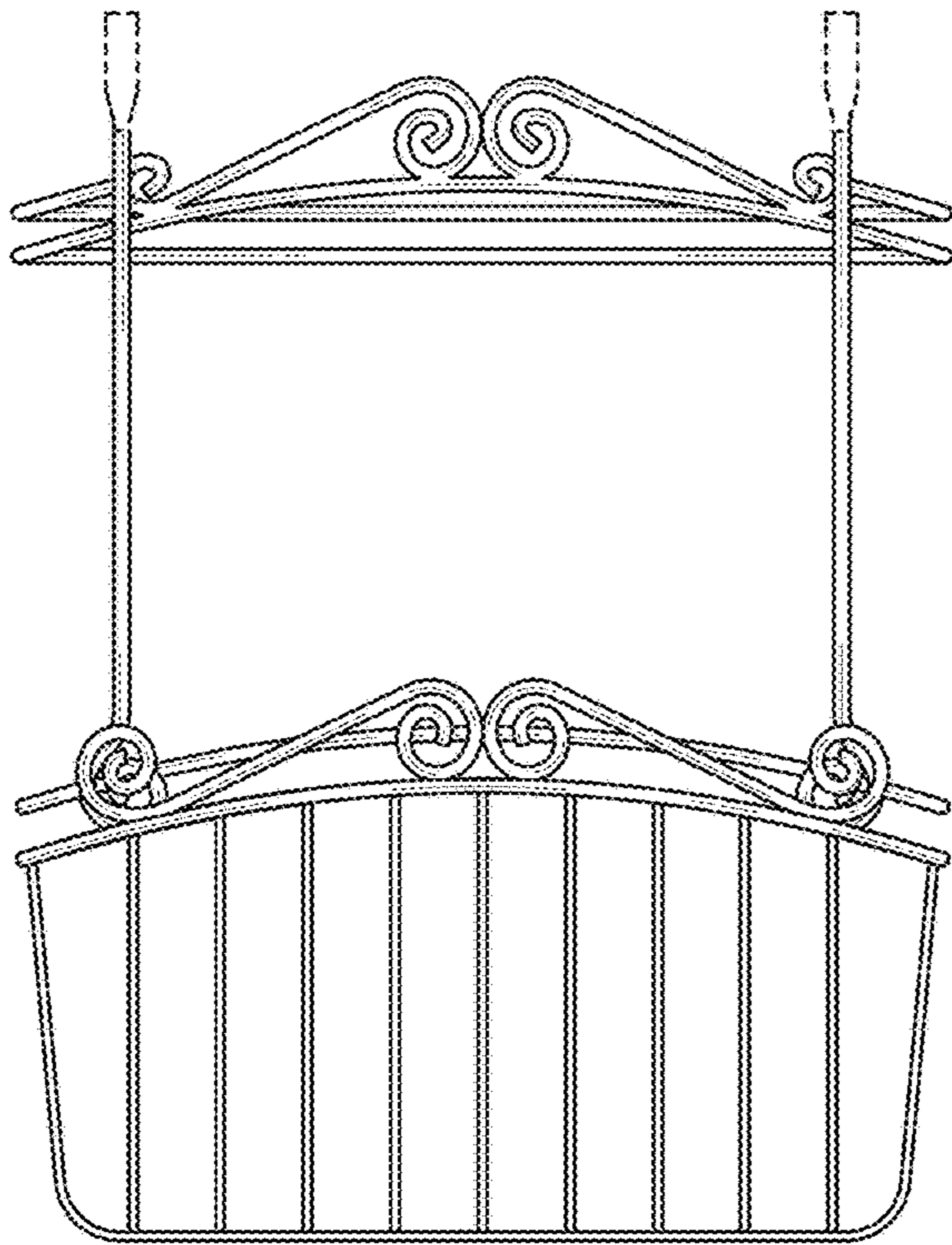


FIG. 9

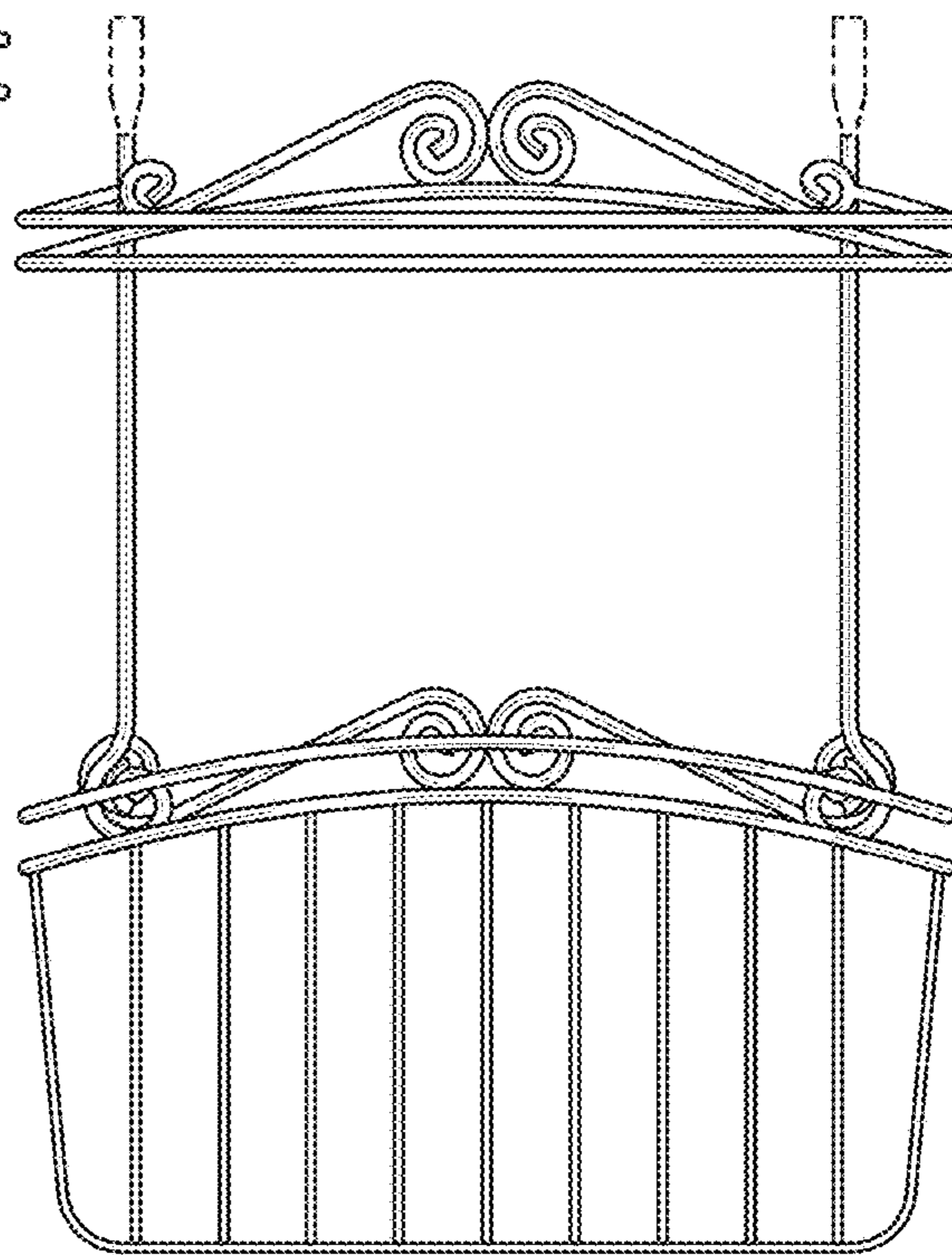


FIG. 10



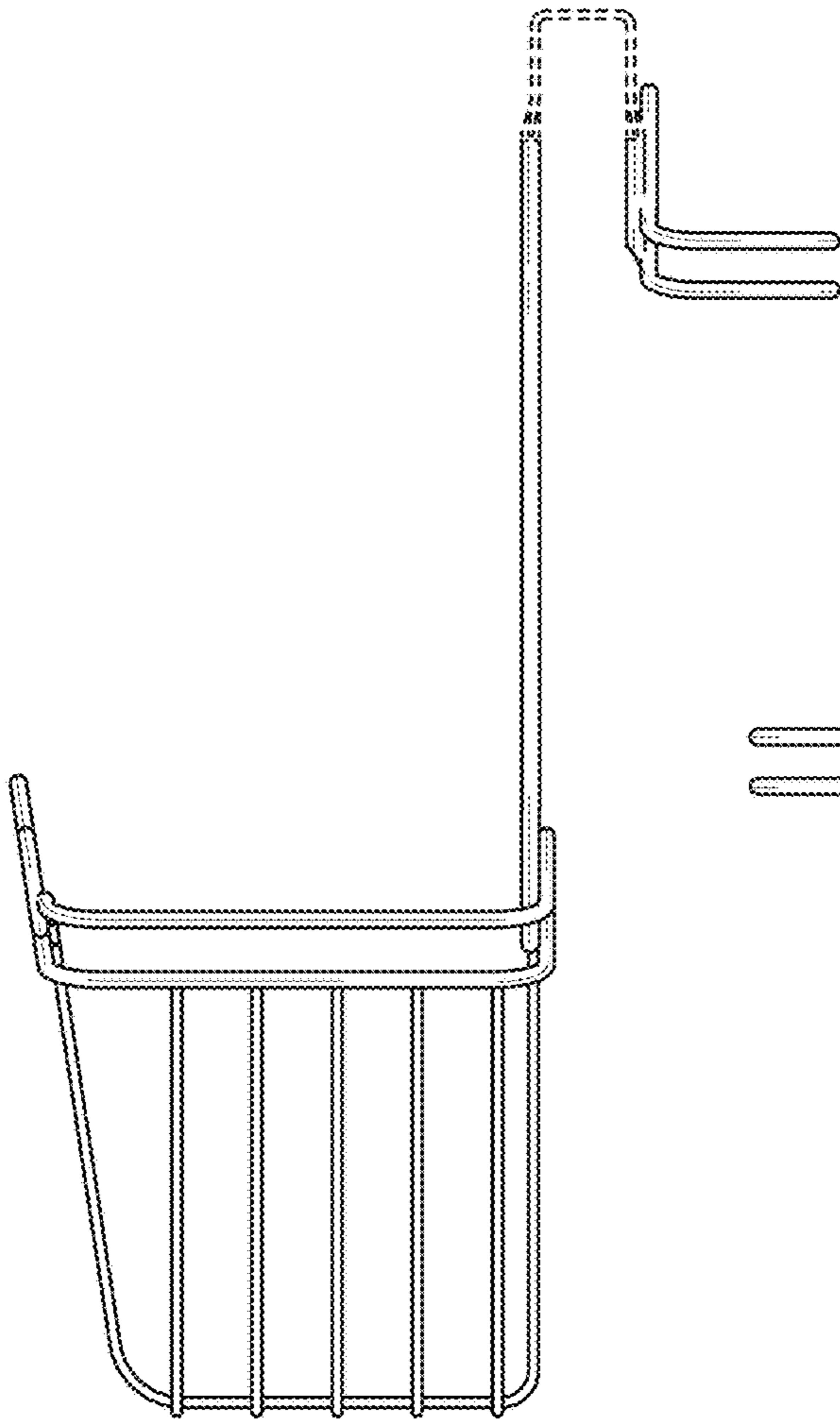


FIG. 11

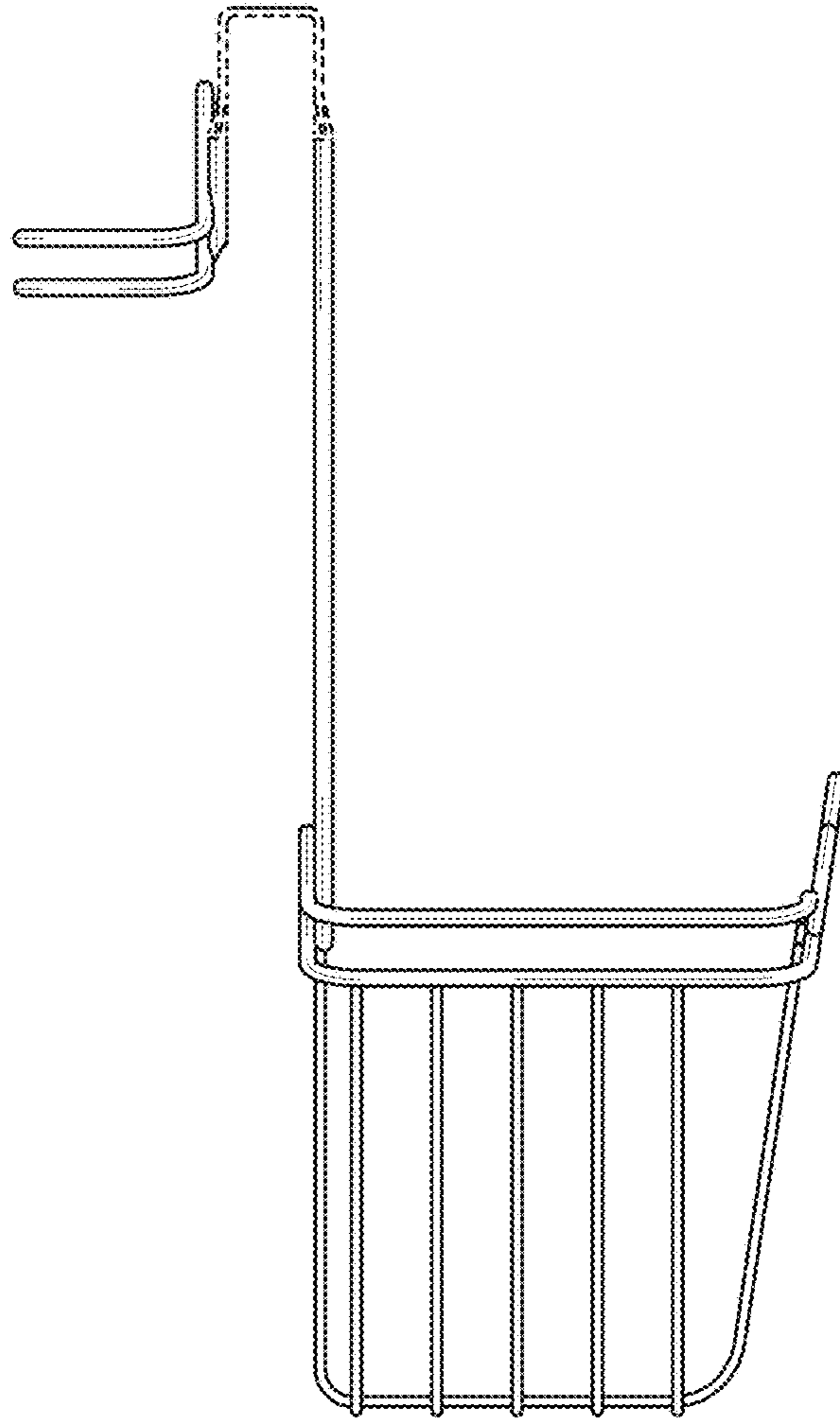


FIG. 12

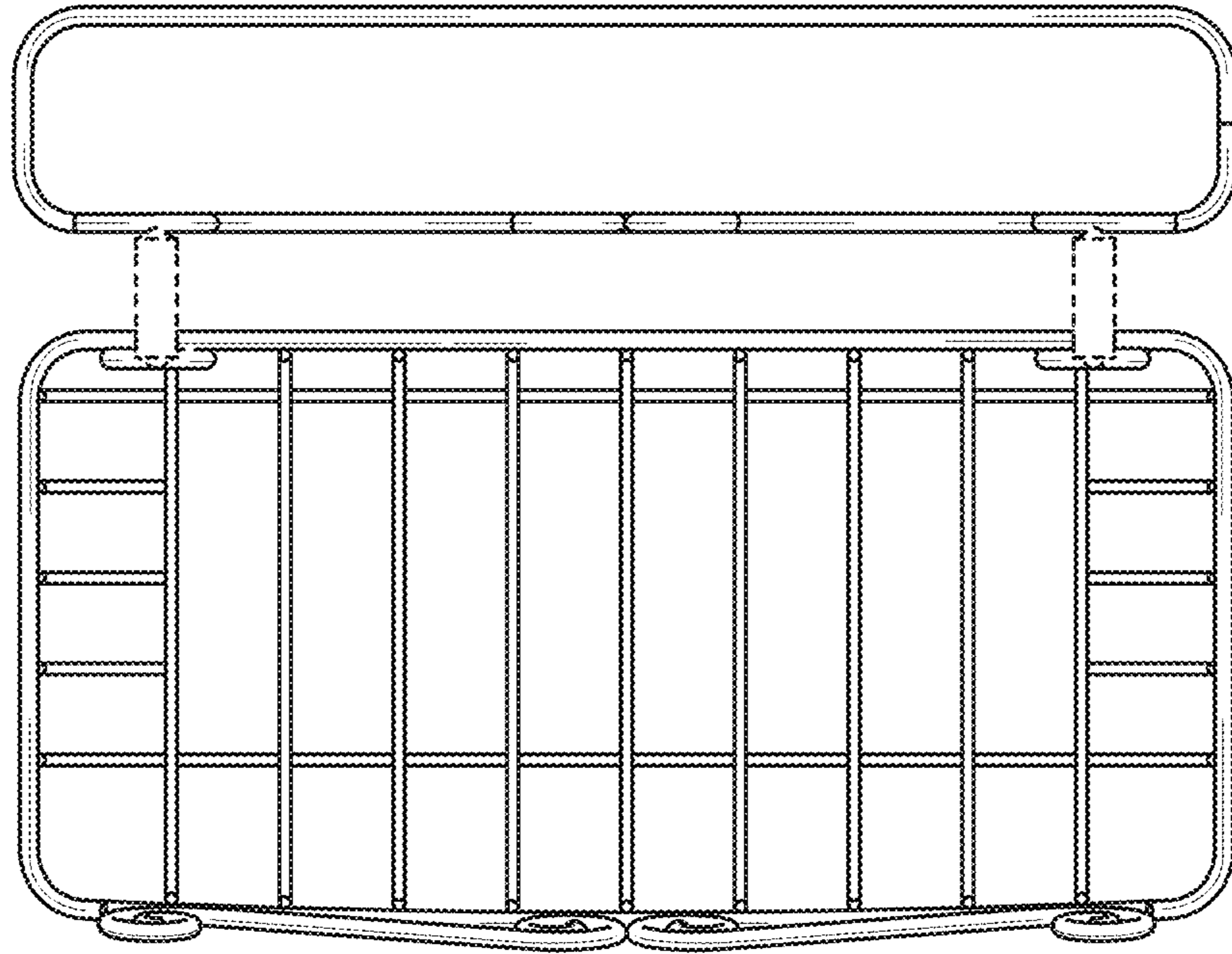


FIG. 13

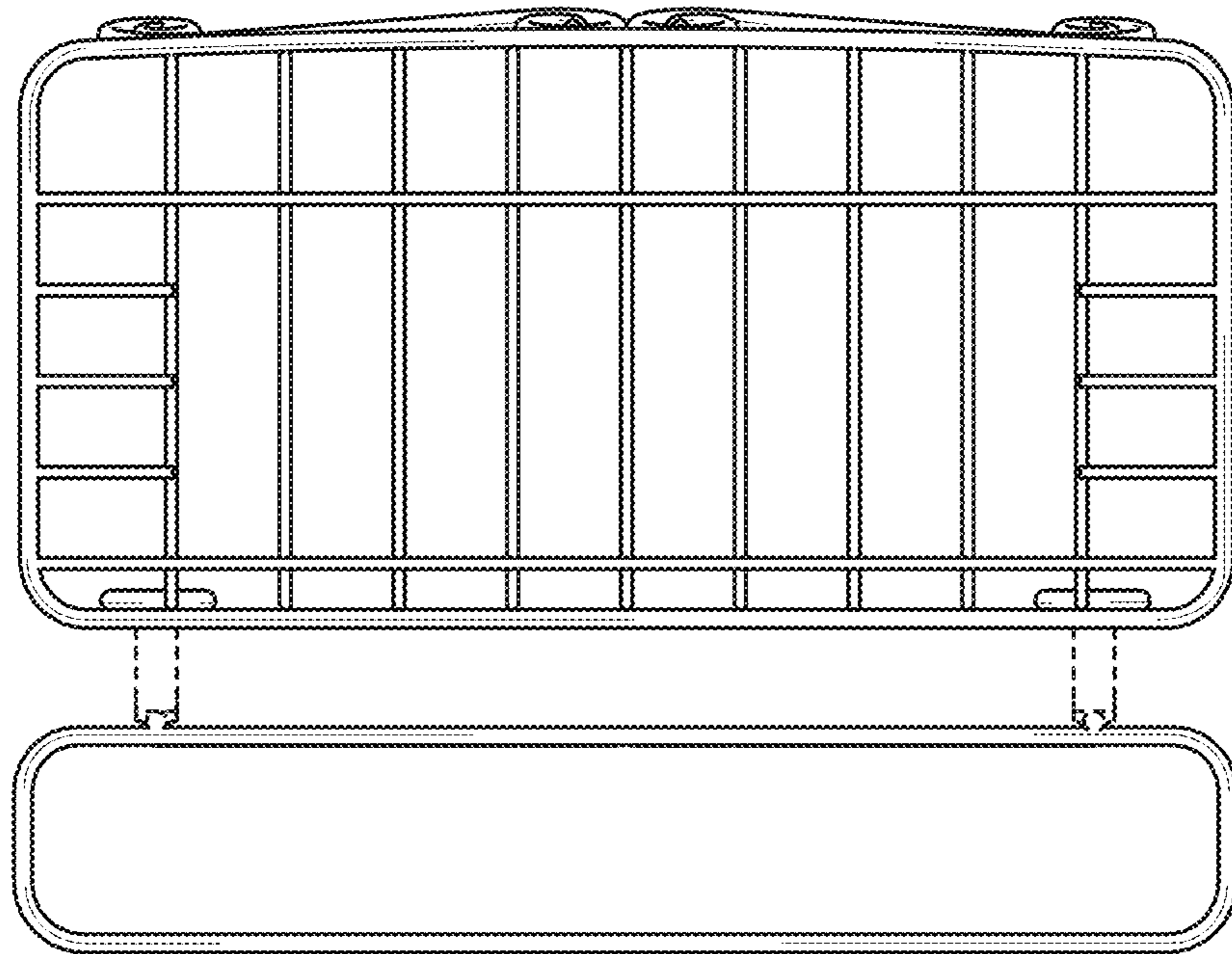


FIG. 14