



US00D837561S

(12) **United States Design Patent** (10) **Patent No.:** **US D837,561 S**
Williamson (45) **Date of Patent:** **** Jan. 8, 2019**

(54) **TV/DVD/CABLE MONITOR SHELF**

(71) Applicant: **Frederick Williamson**, Deland, FL (US)

(72) Inventor: **Frederick Williamson**, Deland, FL (US)

(**) Term: **15 Years**

(21) Appl. No.: **29/620,371**

(22) Filed: **Nov. 7, 2016**

(51) **LOC (11) Cl.** **06-04**

(52) **U.S. Cl.**
USPC **D6/553**

(58) **Field of Classification Search**
USPC D6/574, 553, 389, 512, 513, 555, 569, D6/570, 571, 393, 407; D7/698; 52/287.1; 108/28-29, 152, 35, 40, 42, 108/92, 96, 144.11, 147.11, 157.11, 108/157.13; 211/13.1, 42, 86.01, 88.01, 211/90.01, 90.03, 126.1, 134, 153, 87.01, 211/90.04, 119.005, 199, 126.5, 187, 207; 248/205.3, 235, 243, 247, 249, 250; 312/108, 140.2, 229, 208.1, 223.3; 348/836; D14/129, 447, 448, 457; D19/35, 75, 95, 99, 100; 297/135, 145, 297/161, 188.2
CPC .. H04N 5/655; A47B 83/001; A47B 21/0314; A47B 83/00; A47B 96/061; A47B 57/045; A47B 2200/0089; A47B 2063/005; A47B 97/00; A47B 97/005; F16M 13/02; F16M 13/022; G06F 1/1605; G06F 1/1607; G06F 1/1611
See application file for complete search history.

(56) **References Cited**

U.S. PATENT DOCUMENTS

D247,273	S	*	2/1978	Peters	D6/571
D518,979	S	*	4/2006	Petitclerc	D6/571
D553,892	S	*	10/2007	Lior	D6/574
D584,707	S	*	1/2009	Rieu Piquet	D14/129
D631,607	S	*	1/2011	Hall	D28/73
D718,958	S	*	12/2014	Boorazanes	D6/675
D735,500	S	*	8/2015	Wu	D6/675
D758,094	S	*	6/2016	Reviel	D6/553
2001/0037987	A1	*	11/2001	Culp	A47B 47/042 211/186
2013/0162916	A1	*	6/2013	Williamson	H04N 5/655 348/836

* cited by examiner

Primary Examiner — Wan Laymon
Assistant Examiner — Mark Booker
(74) *Attorney, Agent, or Firm* — Melissa B. Neely

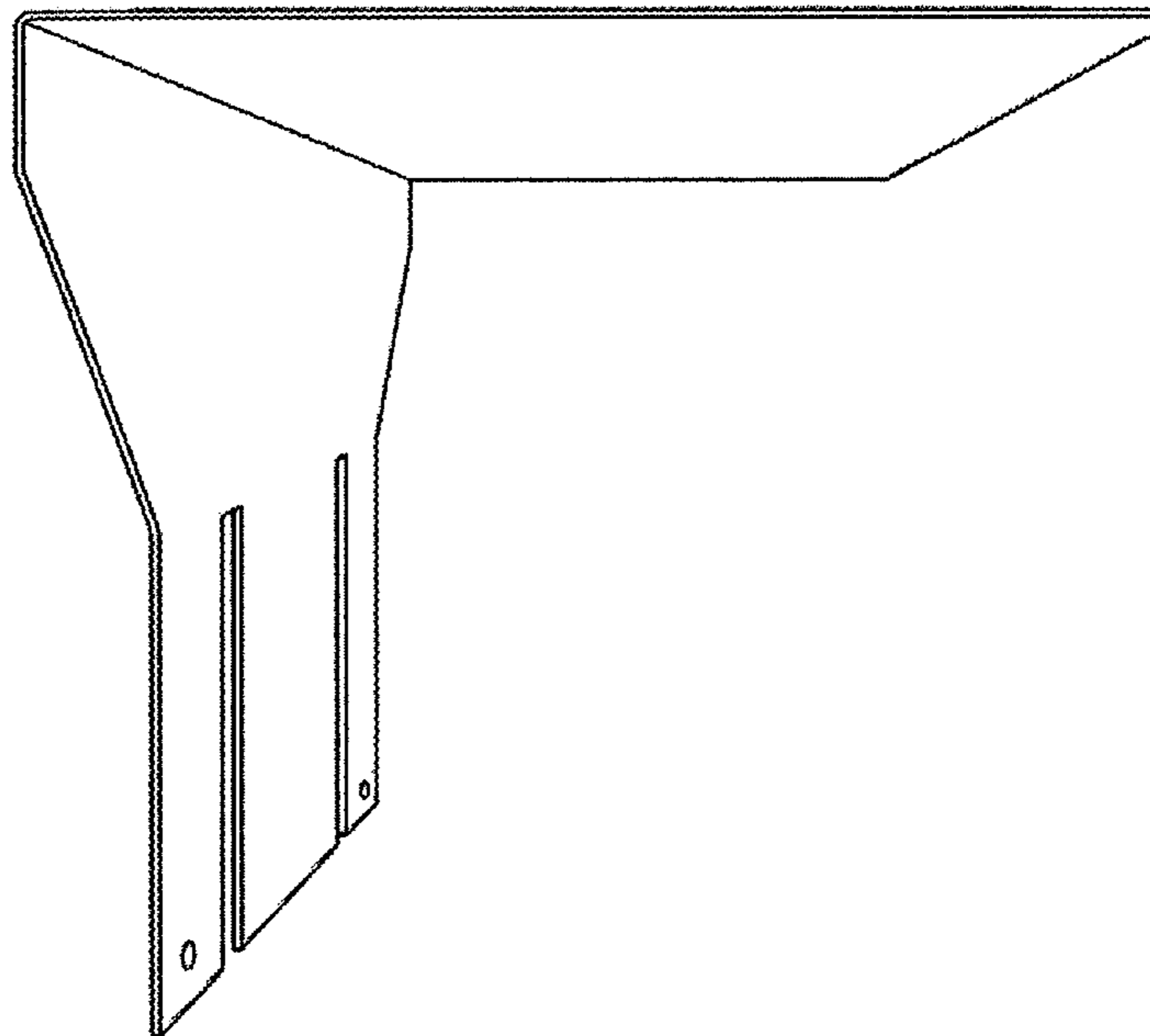
(57) **CLAIM**

The ornamental design for a TV/DVD/cable monitor shelf, as shown and described.

DESCRIPTION

FIG. 1 is a perspective view of a TV/DVD/ cable monitor shelf showing my new design.
FIG. 2 is a front view thereof; and,
FIG. 3 is a perspective view of the TVD/DVD/ cable monitor shelf in use.
The broken lines shown in the figures represent portions of the TV/DVD/cable monitor shelf that form no part of the claimed design.

1 Claim, 3 Drawing Sheets



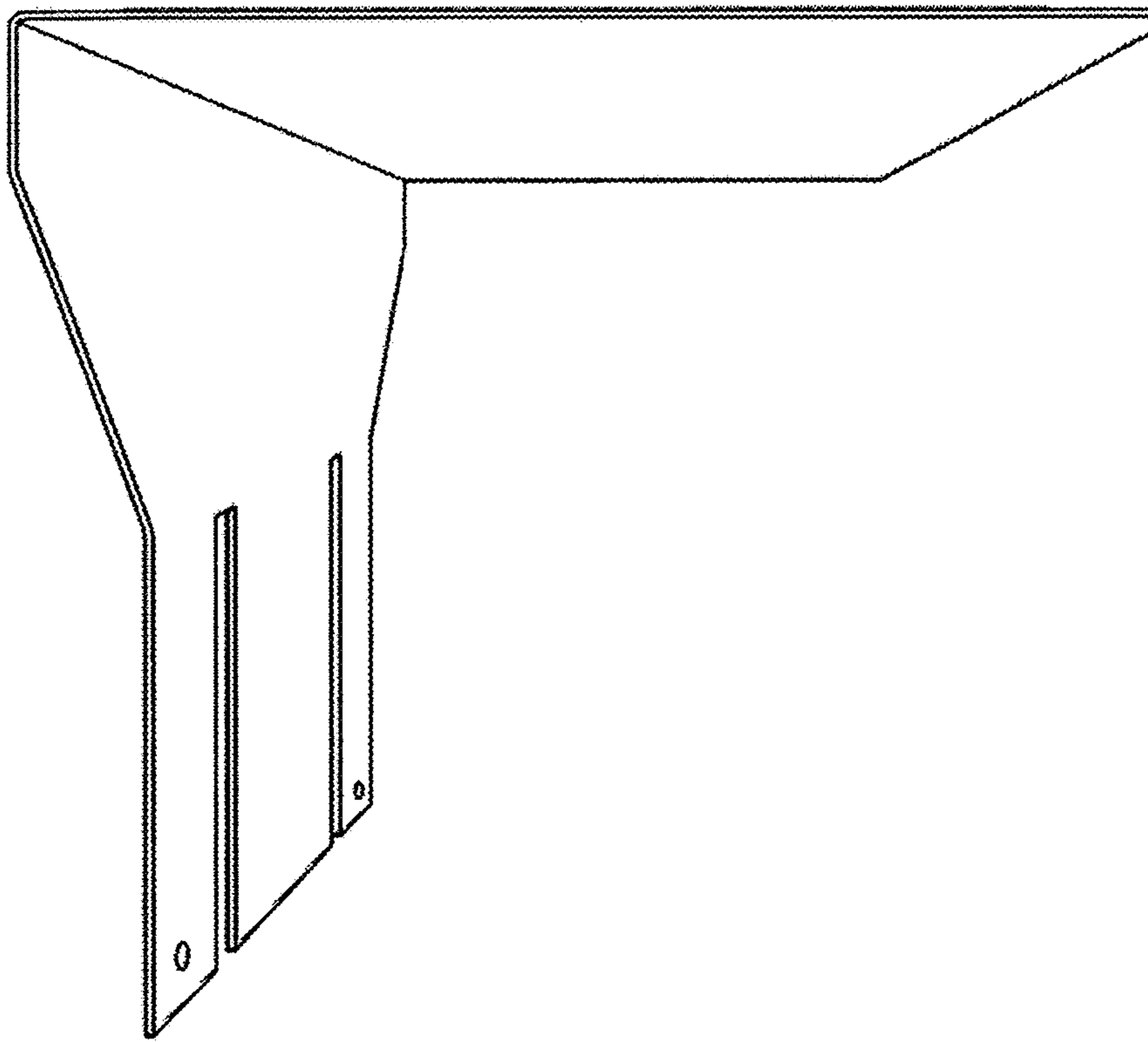


FIG. 1

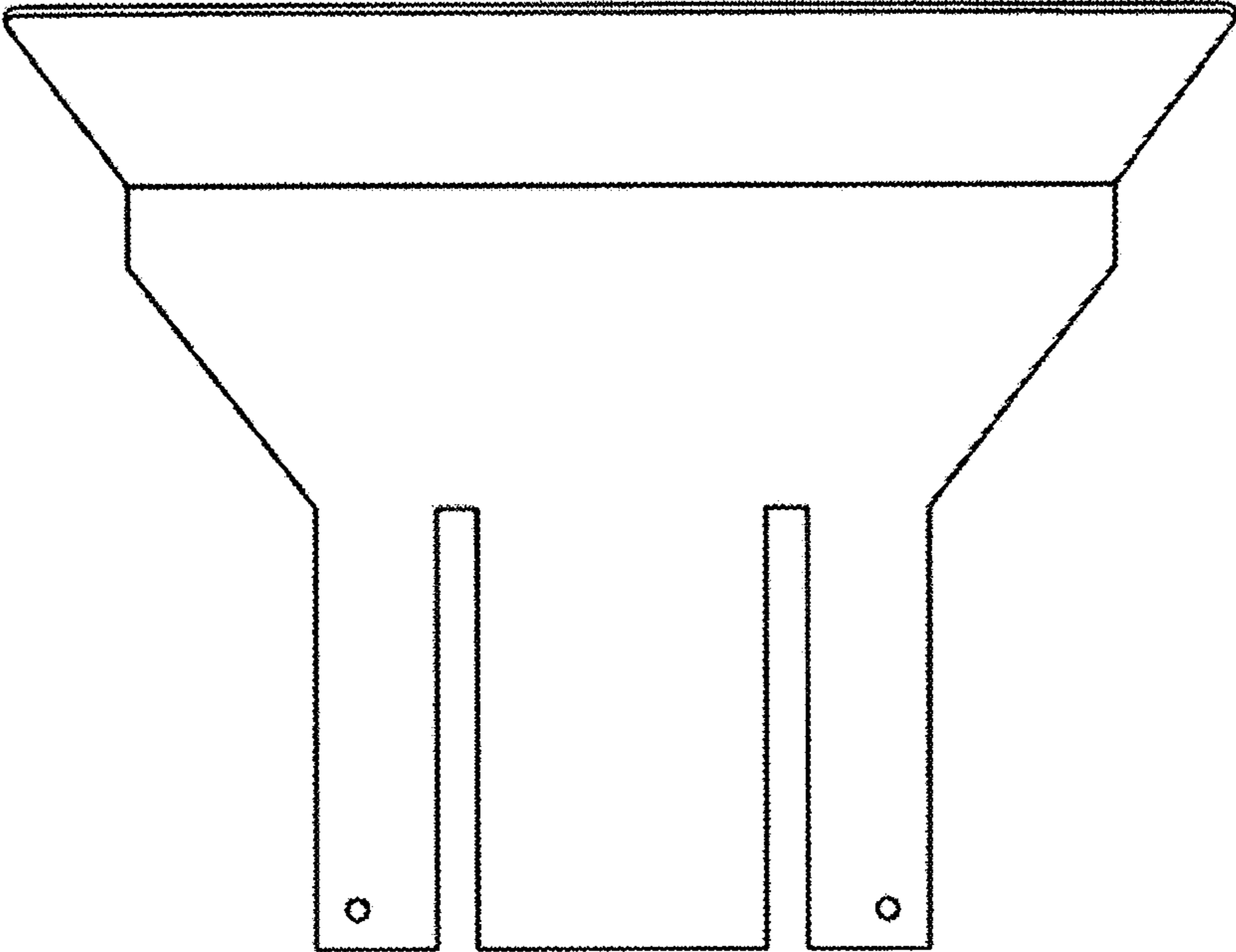


FIG. 2

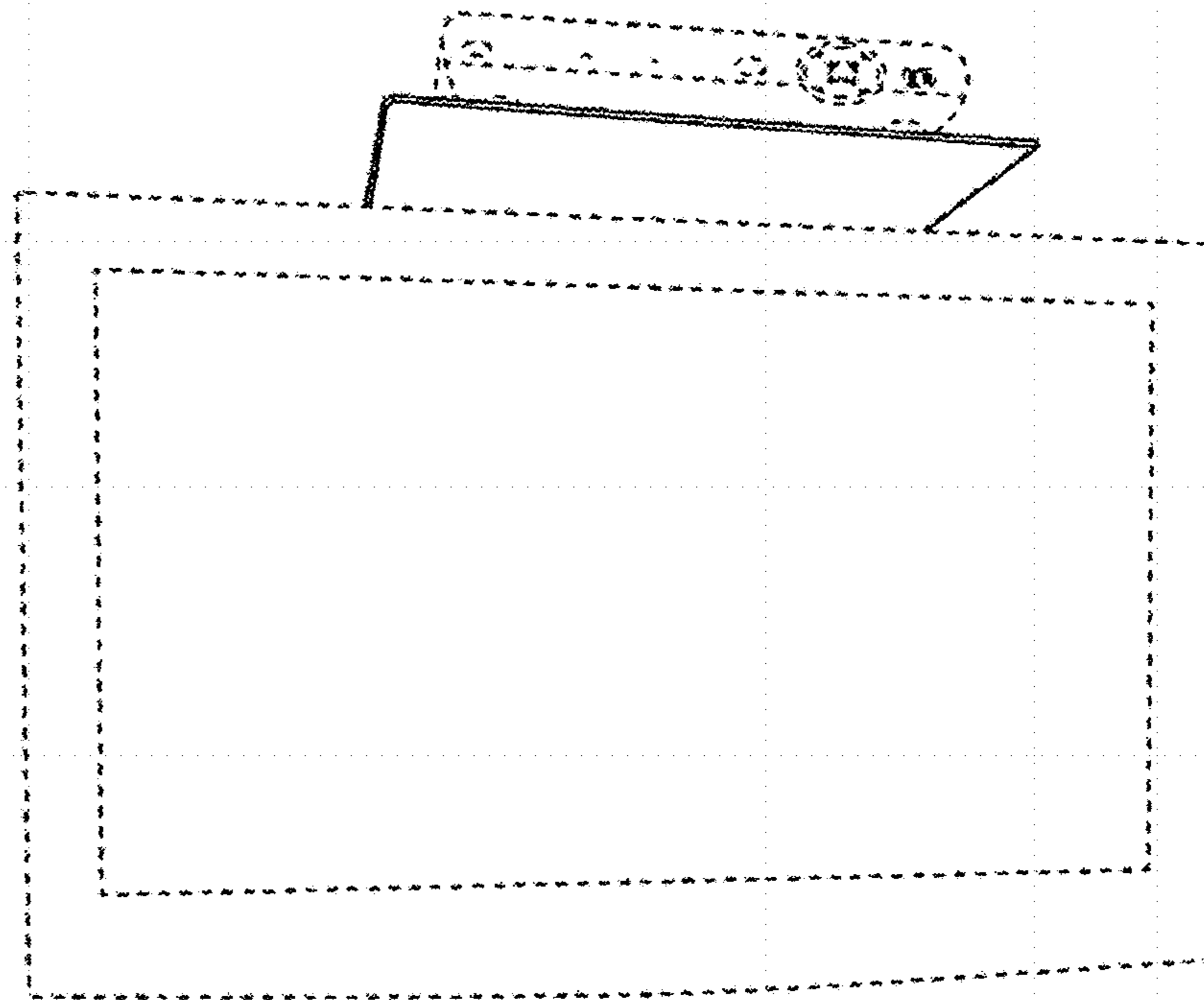


FIG. 3