



US00D837560S

(12) **United States Design Patent** (10) **Patent No.:** **US D837,560 S**
Hendricks et al. (45) **Date of Patent:** **** Jan. 8, 2019**

(54) **DUMBBELL STAND**
(71) Applicant: **NAUTILUS, INC.**, Vancouver, WA (US)
(72) Inventors: **Kevin M. Hendricks**, Portland, OR (US); **Marcus L. Marjama**, Vancouver, WA (US)
(73) Assignee: **Nautilus, Inc.**, Vancouver, WA (US)
(**) Term: **15 Years**
(21) Appl. No.: **29/592,619**
(22) Filed: **Jan. 31, 2017**
(51) **LOC (11) Cl.** **08-08**
(52) **U.S. Cl.**
USPC **D6/552**
(58) **Field of Classification Search**
USPC D6/552; D21/662, 686, 691, 694; D34/31; 211/13.2, 85; 482/104, 139, 482/148, 339
CPC A63B 71/0036; A63B 21/078; A63B 21/4029; A63B 21/072; A63B 21/0726
See application file for complete search history.

(56) **References Cited**
U.S. PATENT DOCUMENTS
D441,813 S * 5/2001 Ceppo 482/104
D495,383 S * 8/2004 Ceppo D21/686
D504,164 S * 4/2005 Ceppo D21/686
D555,961 S 11/2007 Lien et al.
D563,135 S * 3/2008 Lien D6/552
D565,132 S 3/2008 Lien et al.
D577,234 S 9/2008 Webber et al.
D603,637 S 11/2009 Anderson et al.
D677,504 S 3/2013 Childs

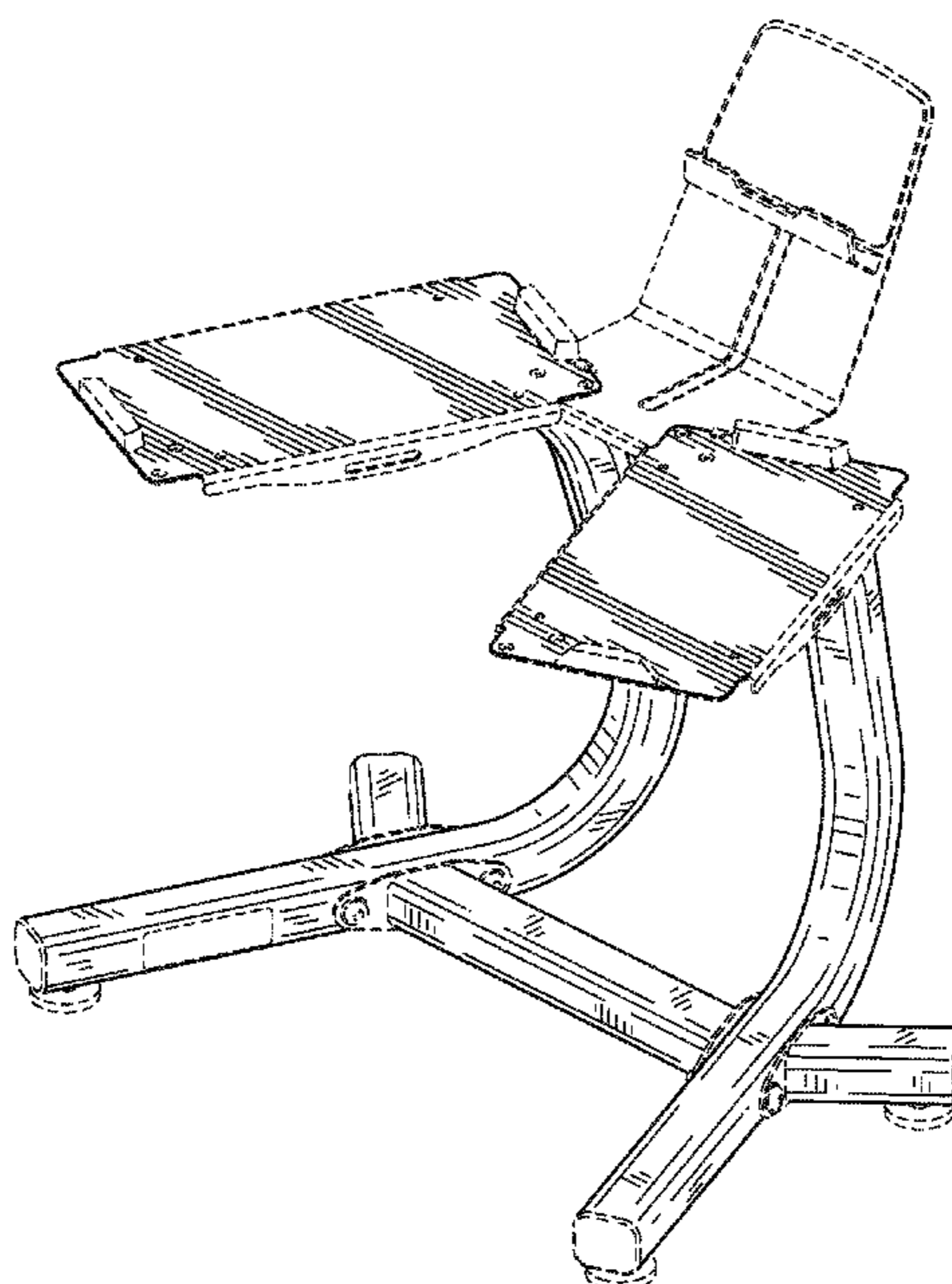
D725,937 S 4/2015 Hendricks
D725,938 S 4/2015 Hendricks
2012/0157271 A1* 6/2012 Bauer A63B 71/0036
482/104

* cited by examiner
Primary Examiner — Wan Laymon
Assistant Examiner — Mark Booker
(74) *Attorney, Agent, or Firm* — Dorsey & Whitney LLP

(57) **CLAIM**
We claim the ornamental design for a dumbbell stand, as shown and described.

DESCRIPTION
FIG. 1 shows a top front isometric view of a dumbbell stand in accordance with the present design.
FIG. 2 shows a front elevation view of the dumbbell stand of FIG. 1.
FIG. 3 shows a rear elevation view of the dumbbell stand of FIG. 1.
FIG. 4 shows a right side elevation view of the dumbbell stand of FIG. 1.
FIG. 5 shows a left side elevation view of the dumbbell stand of FIG. 1.
FIG. 6 shows a top plan view of the dumbbell stand of FIG. 1; and,
FIG. 7 shows a bottom plan view of the dumbbell stand of FIG. 1.
The broken lines in FIGS. 1-7 illustrate portions of the dumbbell stand that form no part of the claimed design. The broken lines shown immediately adjacent the shaded areas represent boundaries of the claimed design and form no part of the claimed design.

1 Claim, 7 Drawing Sheets



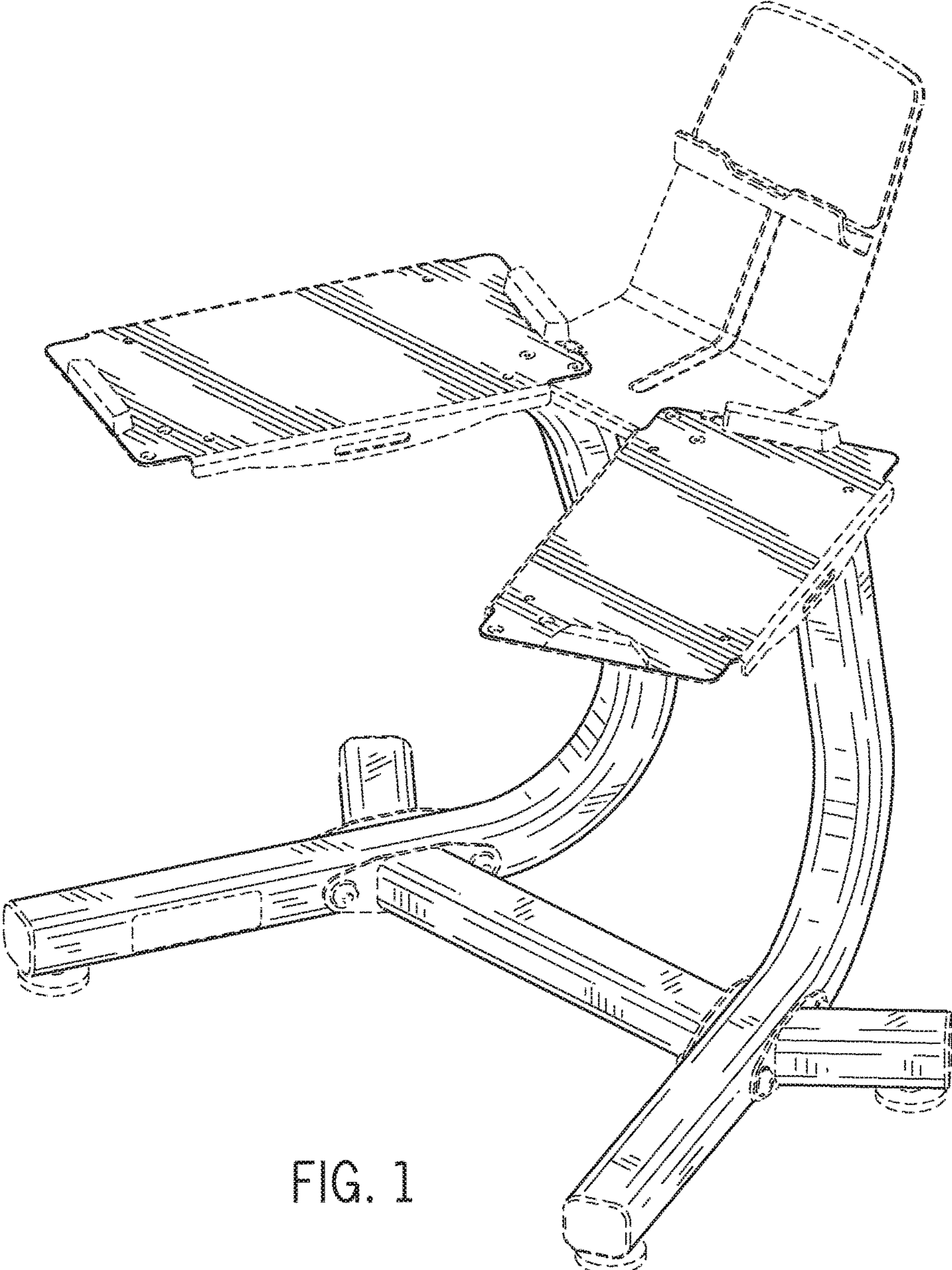


FIG. 1

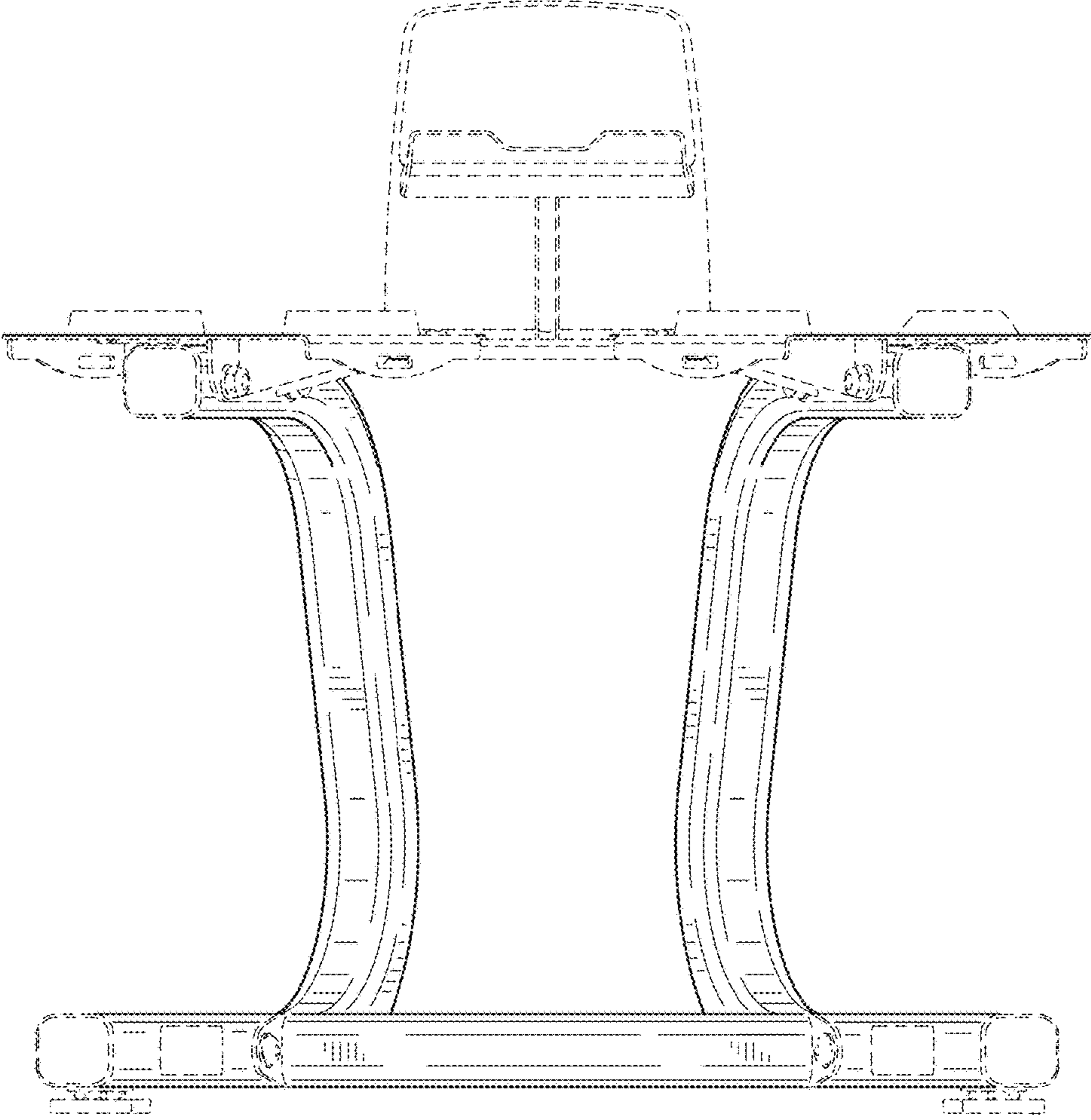


FIG. 2

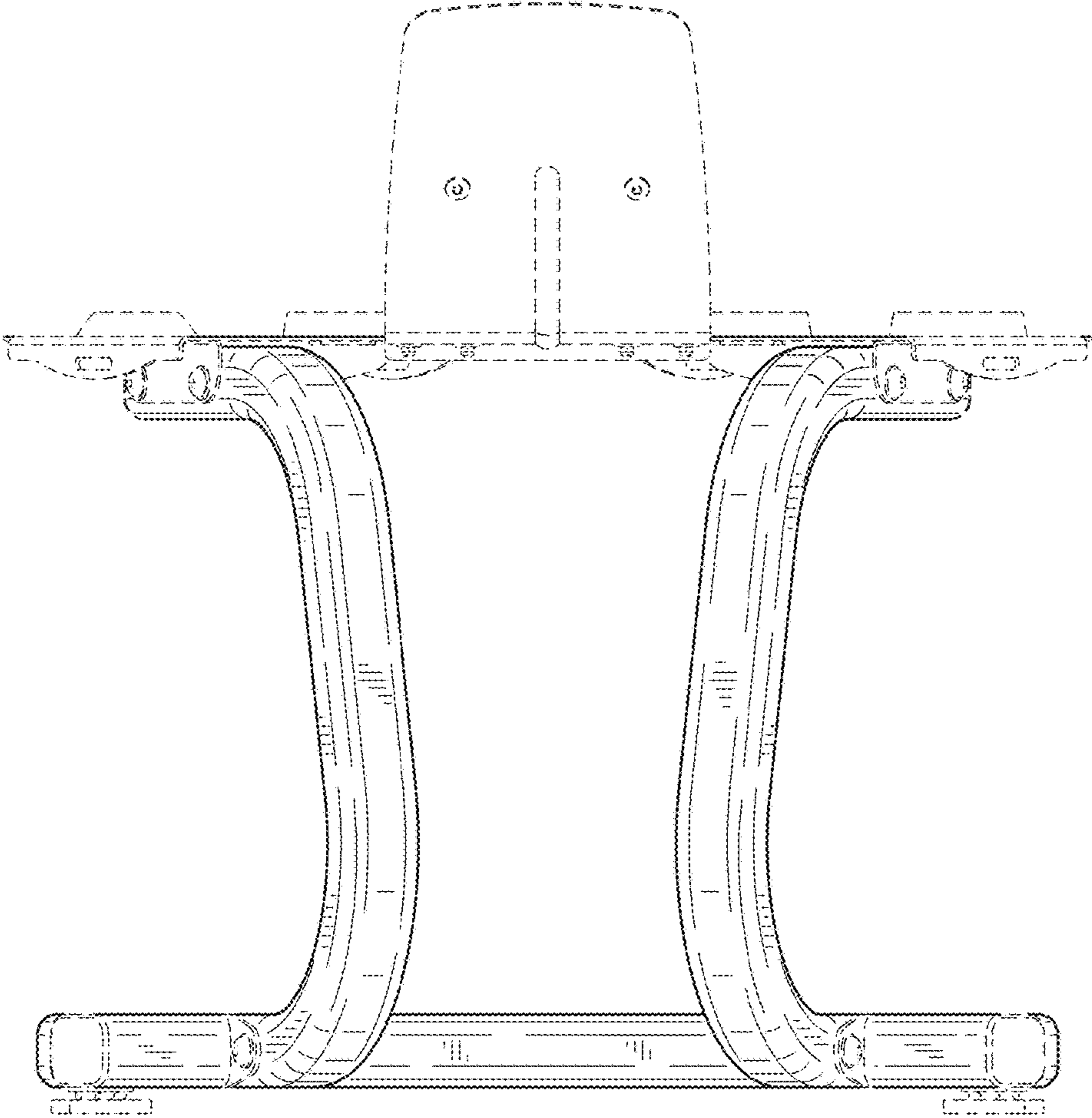


FIG. 3

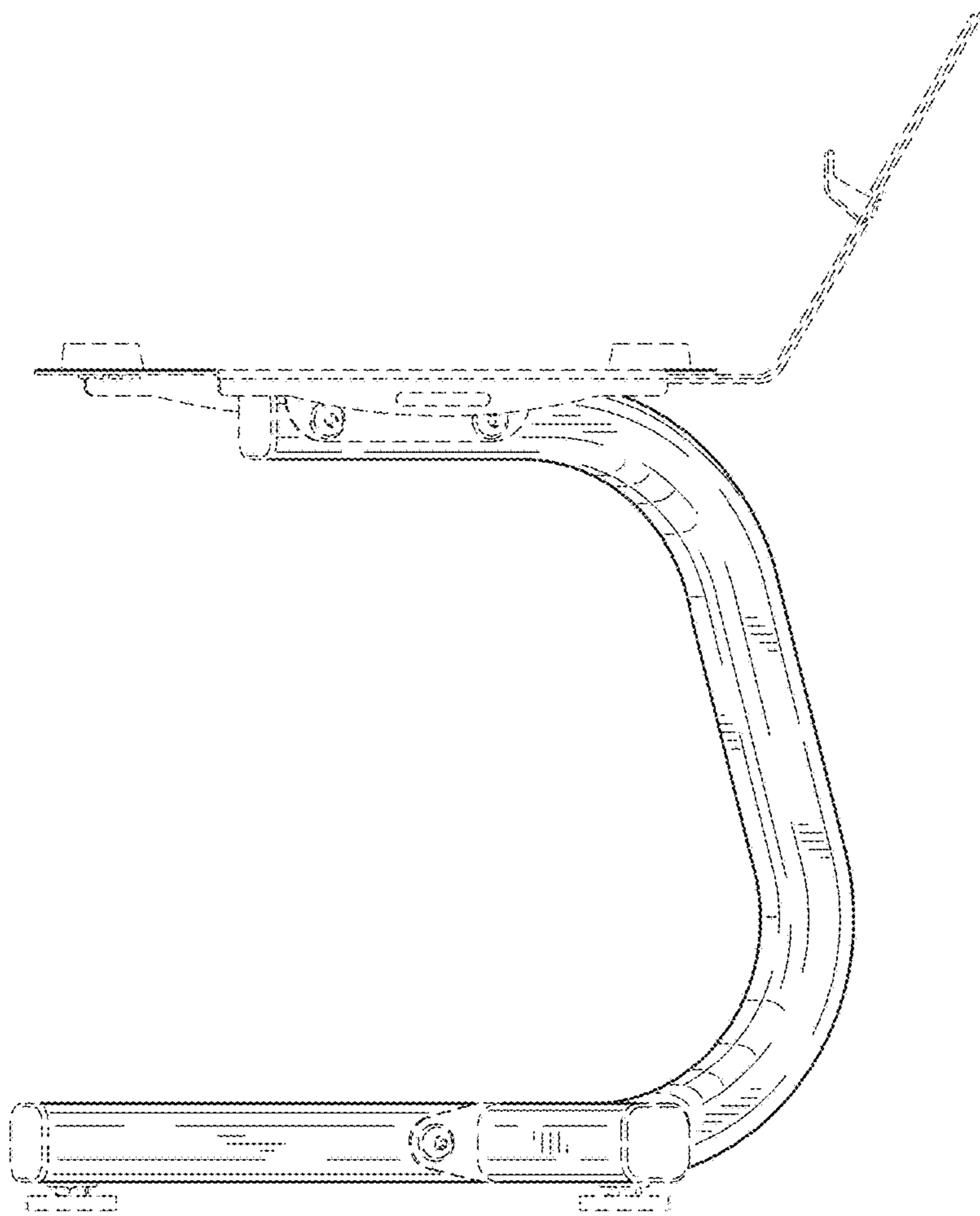


FIG. 4

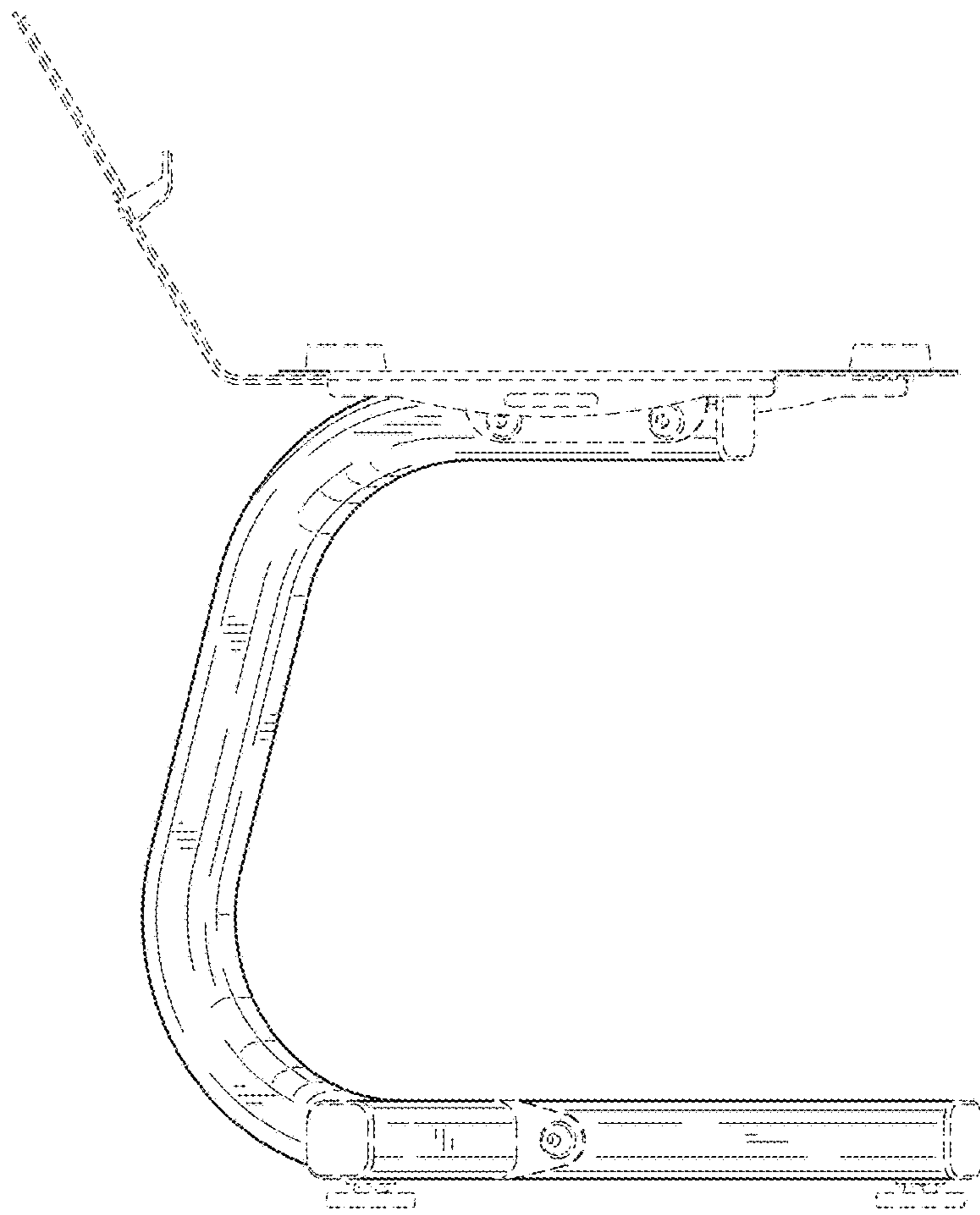


FIG. 5

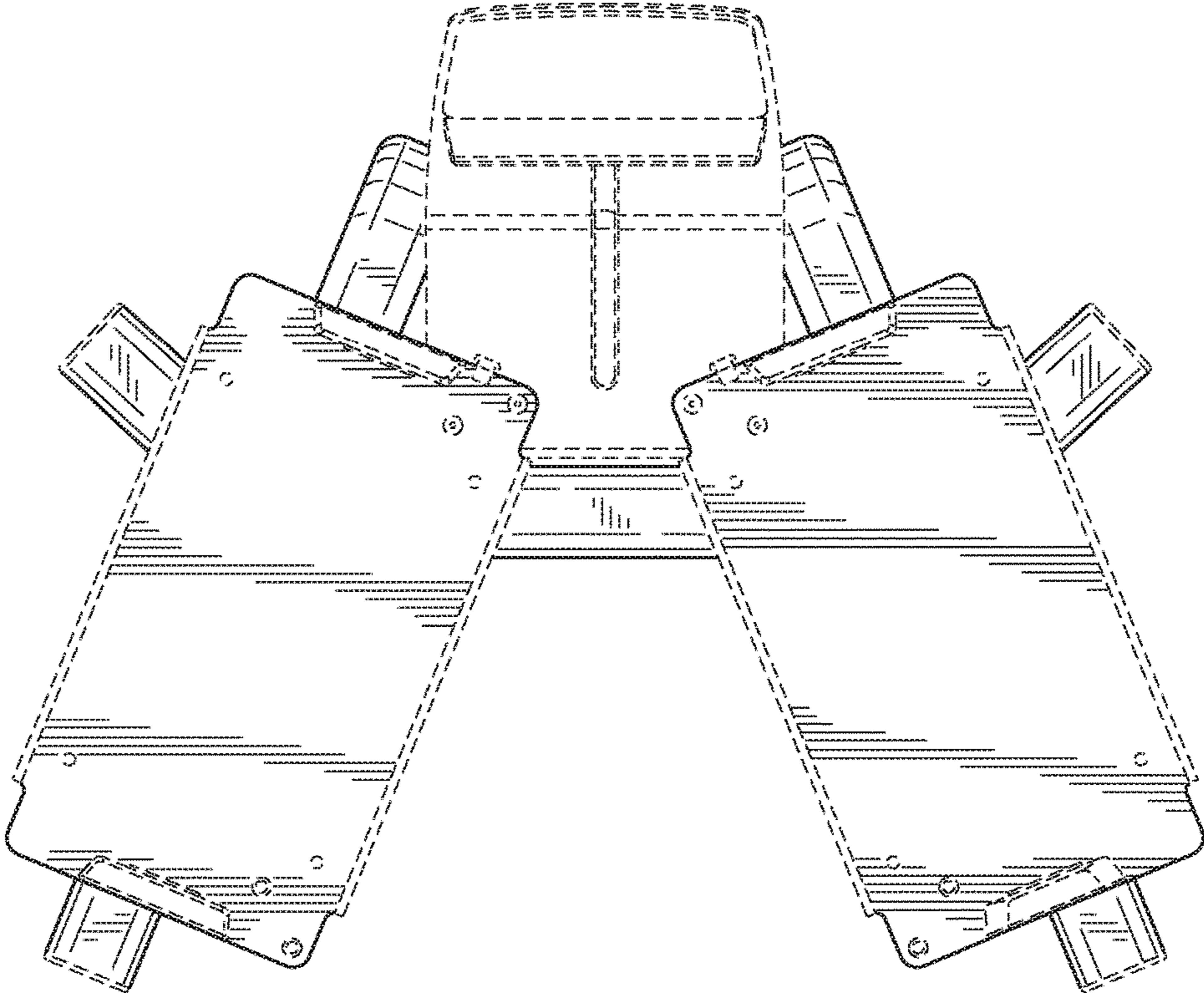


FIG. 6

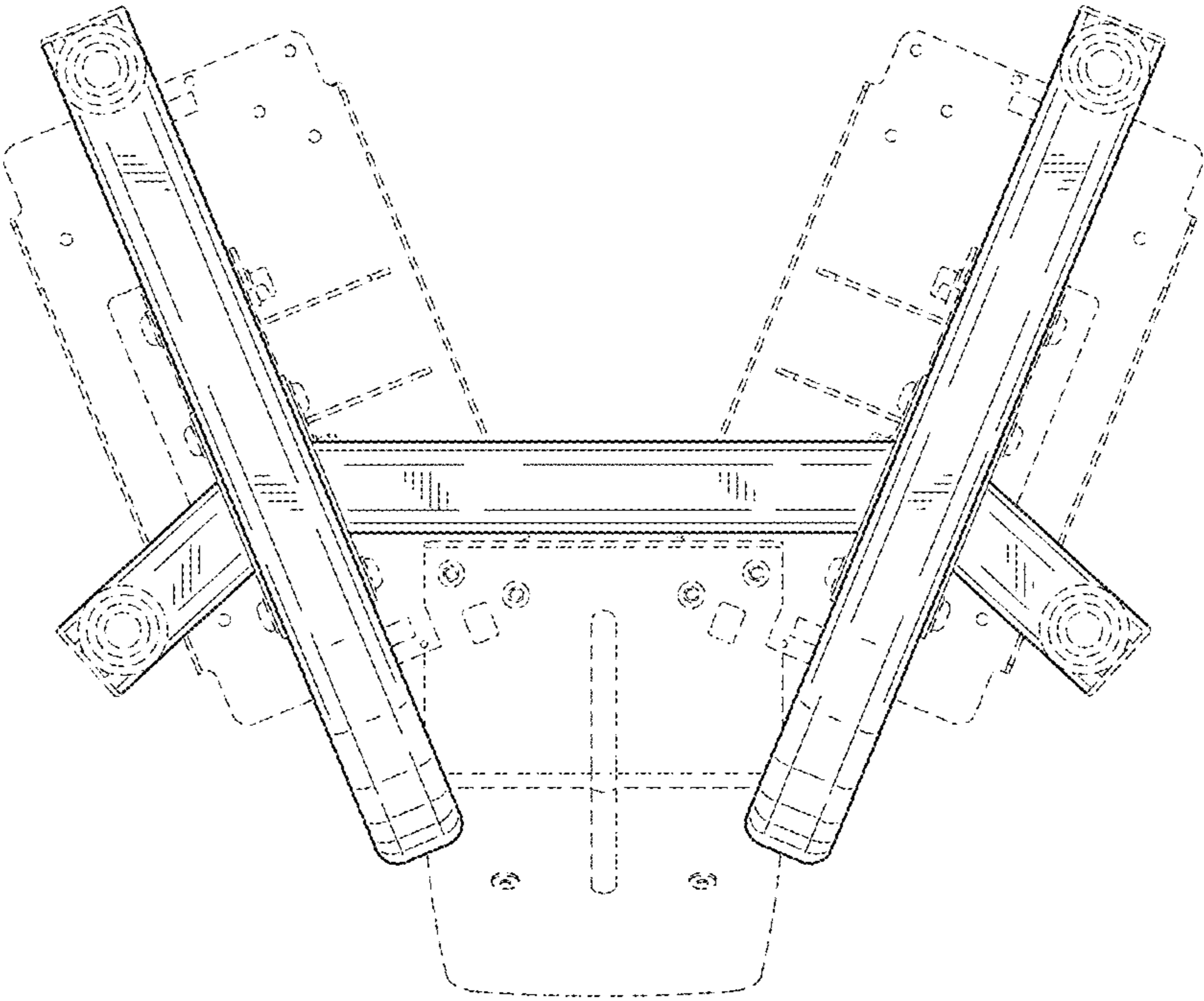


FIG. 7