



US00D837557S

(12) **United States Design Patent**
Felsenthal et al.

(10) **Patent No.:** **US D837,557 S**
(45) **Date of Patent:** **** Jan. 8, 2019**

- (54) **HANGER AND STORAGE UNIT**
- (71) Applicant: **Whitmor, Inc.**, Southaven, MS (US)
- (72) Inventors: **Sandy Felsenthal**, Memphis, TN (US);
Dan Custer, Germantown, TN (US)
- (73) Assignee: **Whitmor, Inc.**, Southaven, MS (US)
- (**) Term: **15 Years**
- (21) Appl. No.: **29/597,591**
- (22) Filed: **Mar. 17, 2017**
- (51) **LOC (11) Cl.** **06-06**
- (52) **U.S. Cl.**
USPC **D6/513**
- (58) **Field of Classification Search**
USPC D6/513, 512, 524–525, 552–553,
D6/567–570, 315, 317–320, 323, 326;
D3/201, 203.1, 205, 903, 278; 206/730,
206/214, 575, 579, 581, 287–289, 291;
211/13.1, 10, 85.2, 85.3, 85.7, 35, 41.12,
211/70.6, 86.01, 87.01, 113; 248/300,
248/304, 309.1, 317
CPC . A47B 43/003; A45C 2003/002; A45C 3/004;
A45C 7/0077; A45C 7/0095; A45C 9/00
See application file for complete search history.

D630,456 S * 1/2011 Tierney D6/513
D636,199 S * 4/2011 Snider D6/514
2011/0031140 A1* 2/2011 Clishem A45C 3/004
206/289

* cited by examiner

Primary Examiner — Wan Laymon
Assistant Examiner — Mark Booker
(74) *Attorney, Agent, or Firm* — Stites & Harbison
PLLC; Richard S. Myers, Jr.

(57) **CLAIM**

The ornamental design for a hanger and storage unit, as shown and described.

DESCRIPTION

FIG. 1 is a top perspective view of the design of a hanger and storage unit showing the new design;
FIG. 2 is a right side elevation view of the hanger and storage unit shown in FIG. 1 (the left side elevation view of the hanger and storage unit is a mirror image of the view shown in FIG. 2);
FIG. 3 is a front elevation view of the hanger and storage unit shown in FIG. 1;
FIG. 4 is a top plan view of the hanger and storage unit shown in FIG. 1;
FIG. 5 is a rear elevation view of the hanger and storage unit shown in FIG. 1; and,
FIG. 6 is a bottom plan view of the hanger and storage unit shown in FIG. 1.
All broken lines shown in the drawing views are included for the purpose of showing environmental structure or non-claimed elements that form no part of the claimed design.

1 Claim, 6 Drawing Sheets

(56) **References Cited**

U.S. PATENT DOCUMENTS

- 4,765,495 A * 8/1988 Bisk A47F 5/13
211/113
- D435,990 S * 1/2001 Felsenthal D6/514
- D465,363 S * 11/2002 Ong D6/514

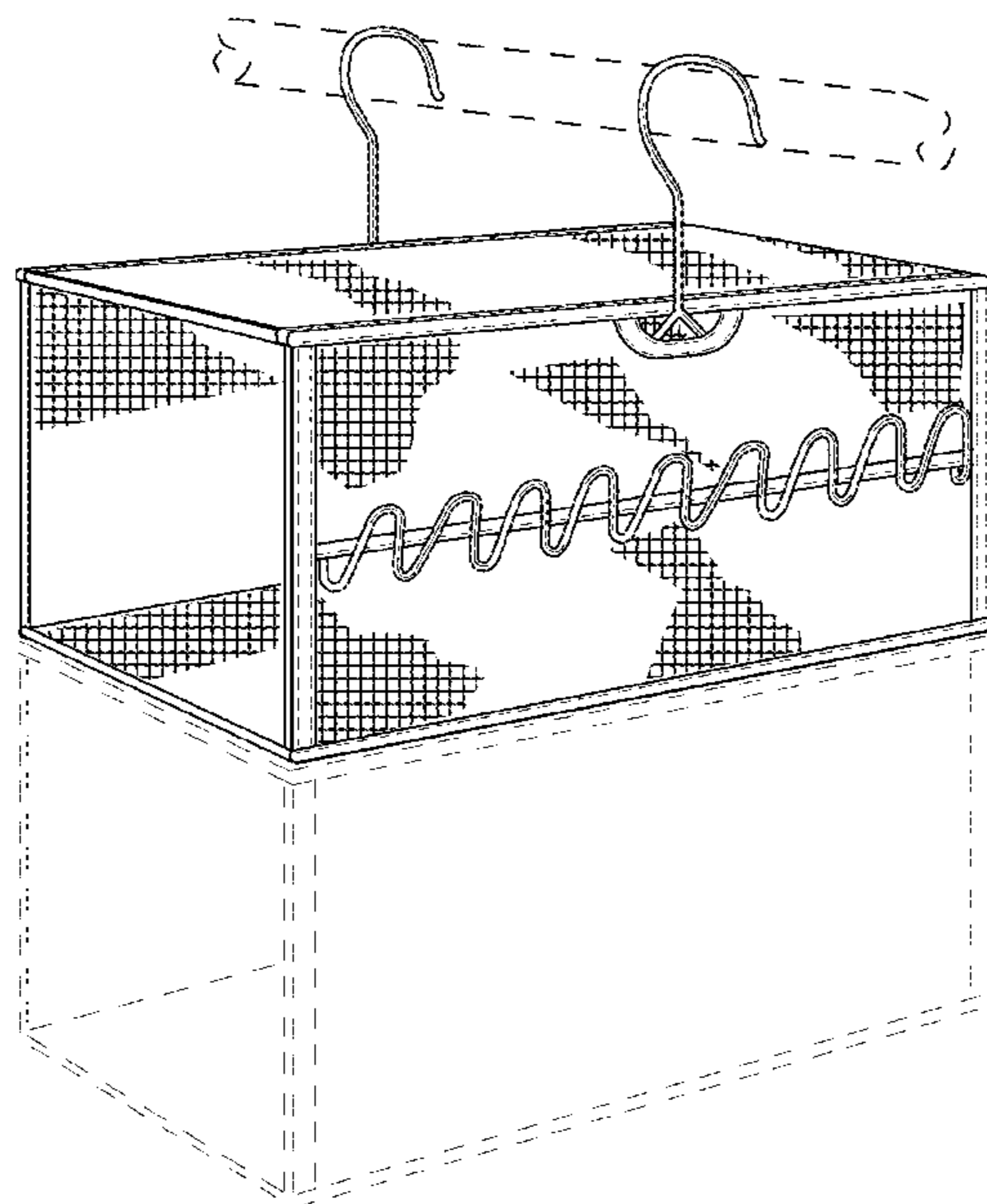


FIG. 1

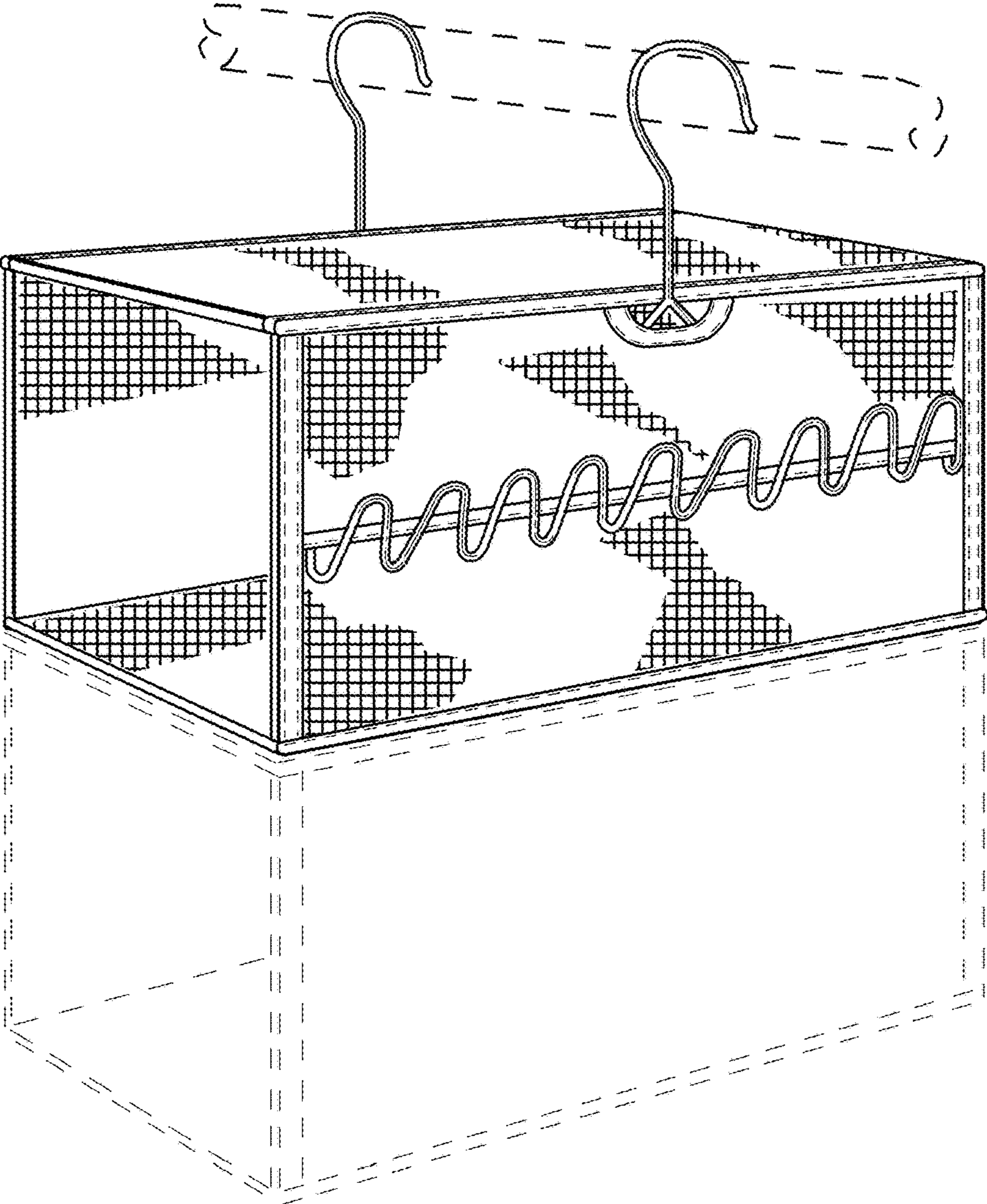


FIG. 2

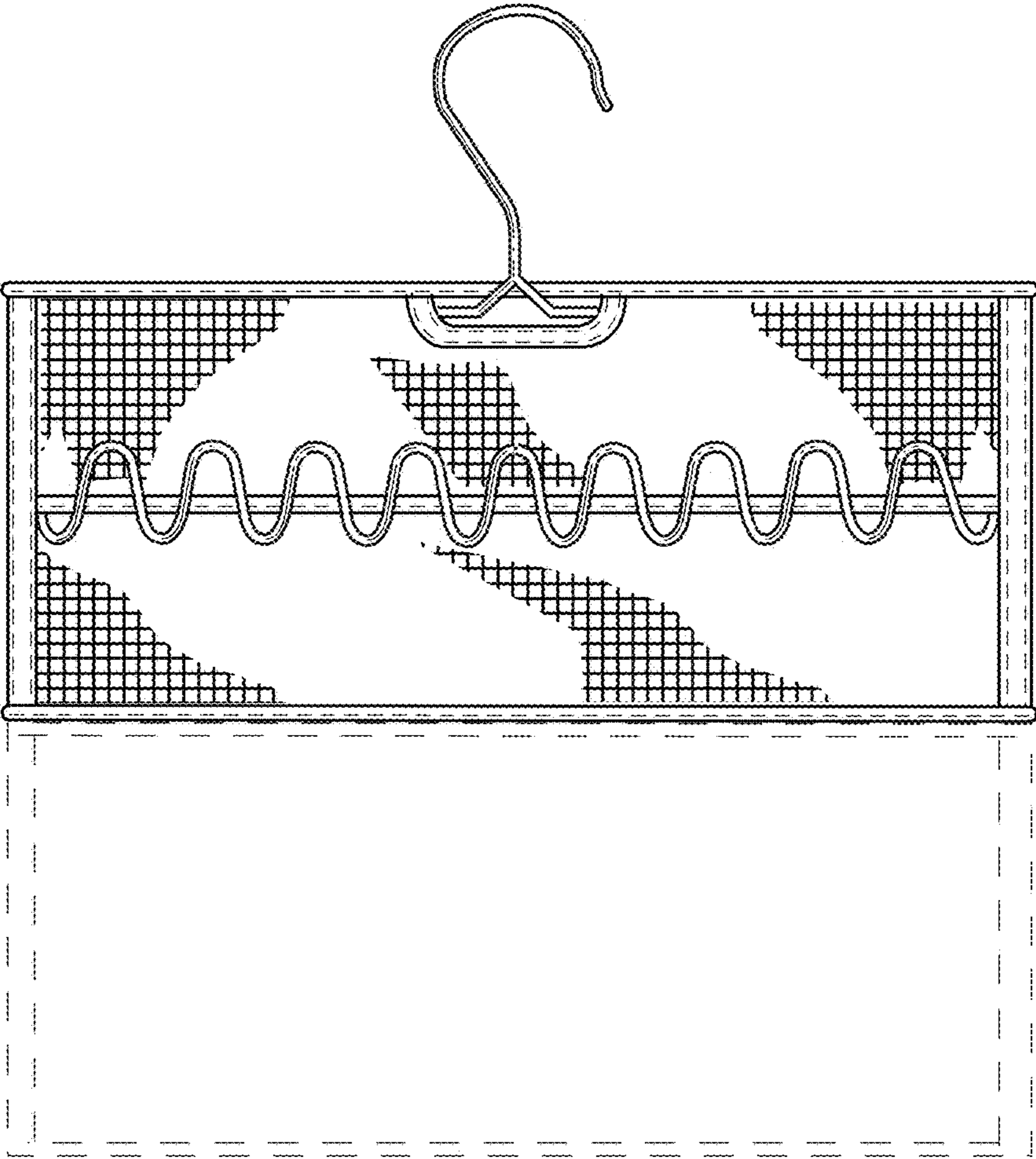


FIG. 3

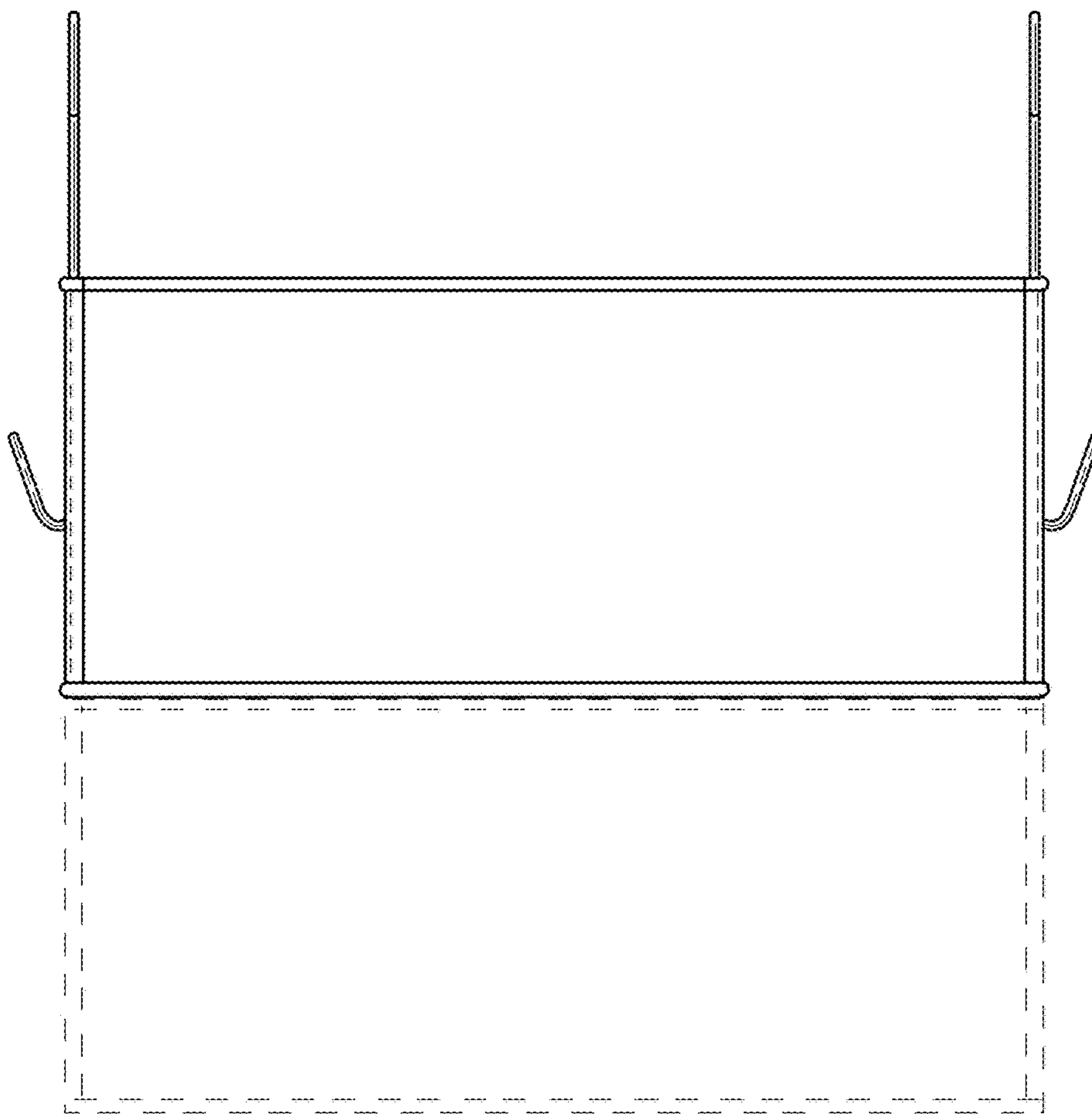


FIG. 4

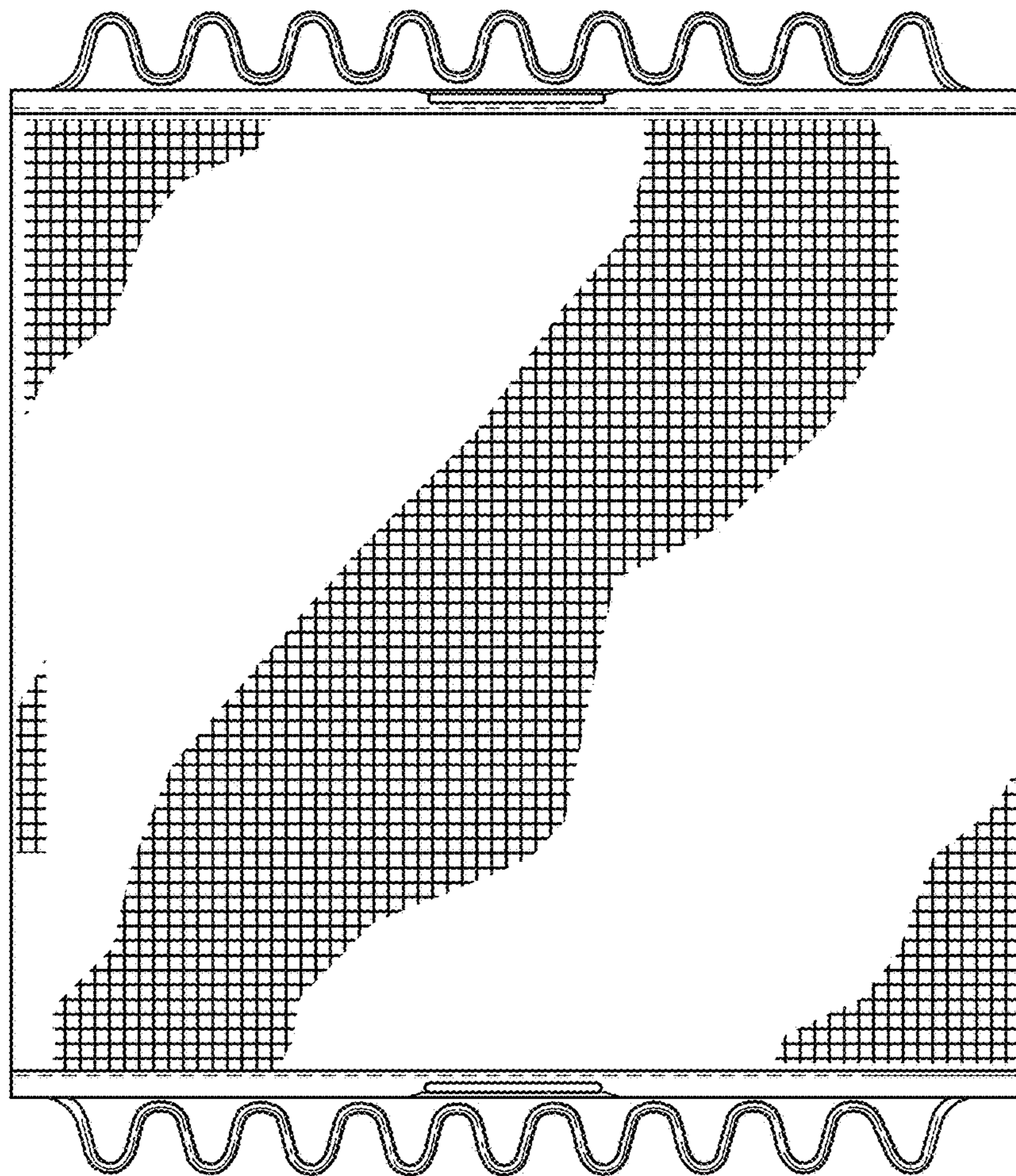


FIG. 5

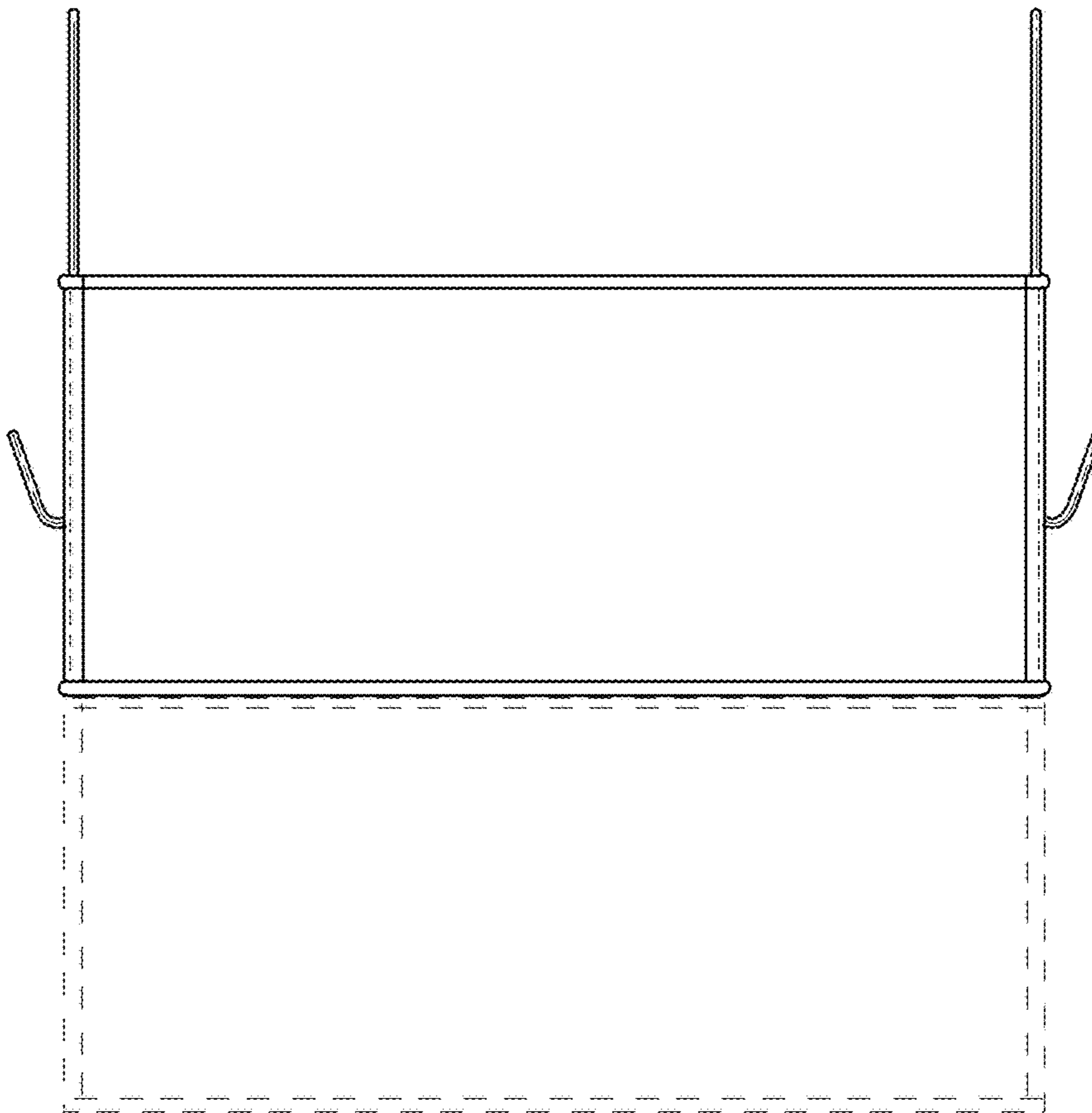


FIG. 6

