



US00D837555S

(12) **United States Design Patent**
Altemimei

(10) **Patent No.:** **US D837,555 S**
(45) **Date of Patent:** **** Jan. 8, 2019**

- (54) **BED FRAME**
- (71) Applicant: **DA International, Inc.**, Orland Park, IL (US)
- (72) Inventor: **Raad Altemimei**, Orland Park, IL (US)
- (73) Assignee: **DA International, Inc.**, Orland Park, IL (US)
- (**) Term: **15 Years**
- (21) Appl. No.: **29/594,330**
- (22) Filed: **Feb. 17, 2017**
- (51) **LOC (11) Cl.** **06-02**
- (52) **U.S. Cl.**
USPC **D6/393; D6/718.23**
- (58) **Field of Classification Search**
USPC D6/382-384, 393-395, 718.13, 718.14,
D6/718.21, 718.22, 718.23
CPC A47C 19/00; A47C 19/02; A47C 19/021;
A47C 19/022
See application file for complete search history.

6,532,778 B2	3/2003	Molzer et al.
D492,502 S	7/2004	Domack
D497,098 S	10/2004	Magnusson
D521,768 S	5/2006	Black
D527,926 S	9/2006	Domack et al.
D554,388 S	11/2007	Leigh
D567,061 S	4/2008	Paige et al.
D578,373 S	10/2008	Paige et al.
D581,767 S	12/2008	Thompson
D586,162 S	2/2009	Schmitt
D625,165 S	10/2010	King
D631,272 S	1/2011	O'Brien et al.
D632,112 S	2/2011	Sakuma
D674,630 S *	1/2013	Schmitt D6/718.13

(Continued)

Primary Examiner — Cathron C Brooks
(74) *Attorney, Agent, or Firm* — Greensfelder, Hemker & Gale, P.C.

(57) **CLAIM**

I claim the ornamental design for a bed frame, as shown and described.

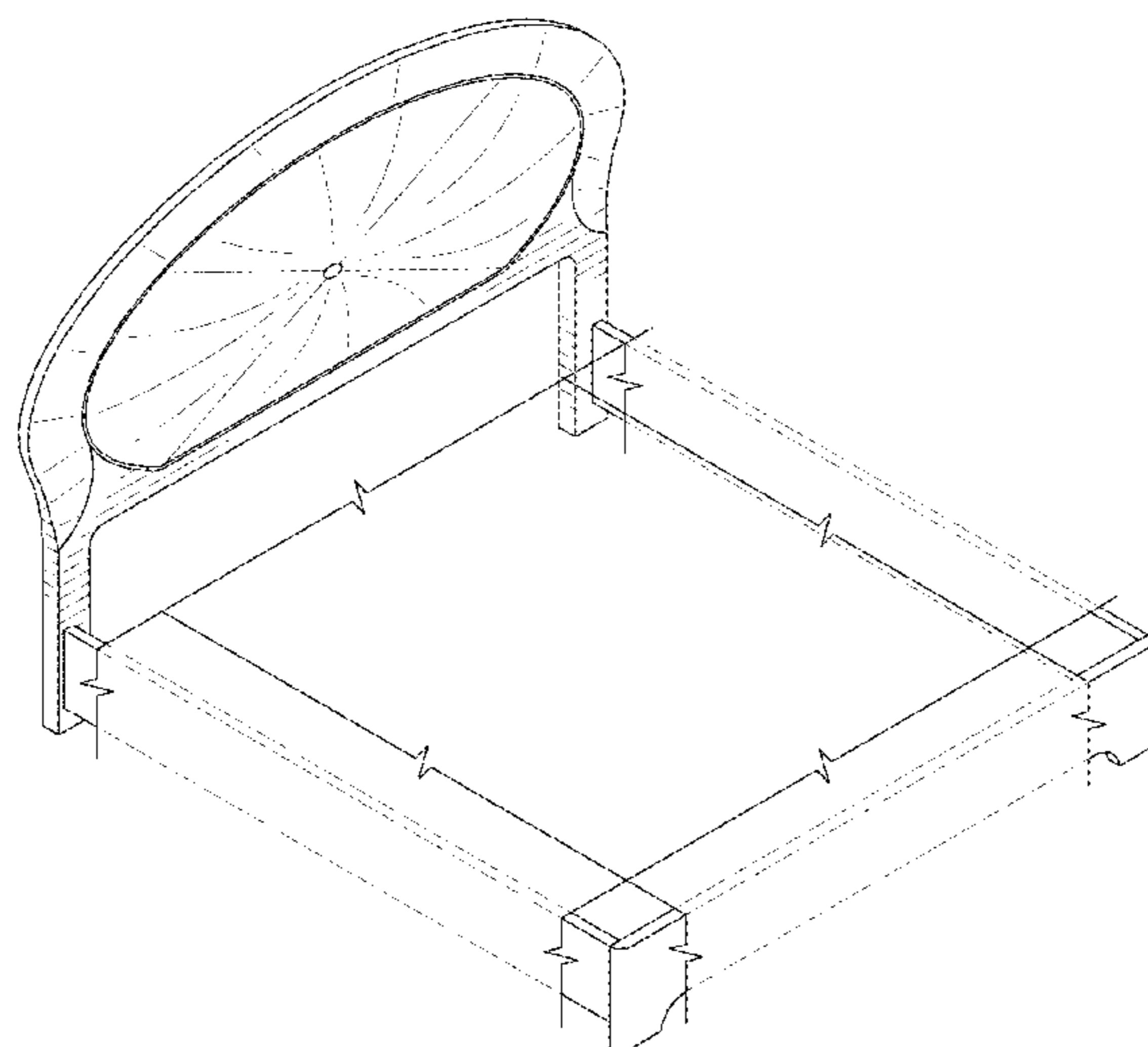
DESCRIPTION

FIG. 1 is a perspective view of a bed frame in accordance with the present invention;
 FIG. 2 is a front plan view of the bed frame of FIG. 1;
 FIG. 3 is a first side plan view of the bed frame of FIG. 1;
 FIG. 4 is a top plan view of the bed frame of FIG. 1;
 FIG. 5 is a bottom plan view of the bed frame of FIG. 1;
 FIG. 6 is a rear plan view of the bed frame of FIG. 1; and,
 FIG. 7 is a second side plan view of the bed frame of FIG. 1.

The bed frame is shown with symbolic break lines. The appearance of any portion of the article between the break lines forms no part of the claimed design. The broken lines shown in the drawings illustrate portions of the bed frame that form no part of the claimed design.

1 Claim, 4 Drawing Sheets

- (56) **References Cited**
U.S. PATENT DOCUMENTS
- D99,046 S 3/1936 Retch
- D139,338 S 11/1944 George
- D149,378 S 4/1948 Rummelsburg
- D160,571 S 10/1950 Belanger
- D173,938 S 2/1955 Dailey
- D194,782 S 3/1963 Watt, Jr.
- D199,051 S 9/1964 Stone
- 3,159,416 A 12/1964 Schlage
- D201,987 S 8/1965 Webster
- D240,547 S * 7/1976 Stanley et al. D21/520
- D386,383 S 11/1997 Lougee
- D393,162 S 4/1998 Bargagli-Stoffi
- D441,576 S 5/2001 Foster
- D455,640 S 4/2002 Hansen



(56)

References Cited

U.S. PATENT DOCUMENTS

D675,848 S	2/2013	Roser, Jr.
D691,019 S	10/2013	Sakuma
D702,473 S	4/2014	Litt
D720,981 S	1/2015	Kaishian et al.
D734,052 S	7/2015	Glattstein et al.
D734,053 S	7/2015	Glattstein et al.
D771,428 S	11/2016	Schmitt
D772,631 S	11/2016	Schmitt
2009/0079311 A1	3/2009	Lai

* cited by examiner

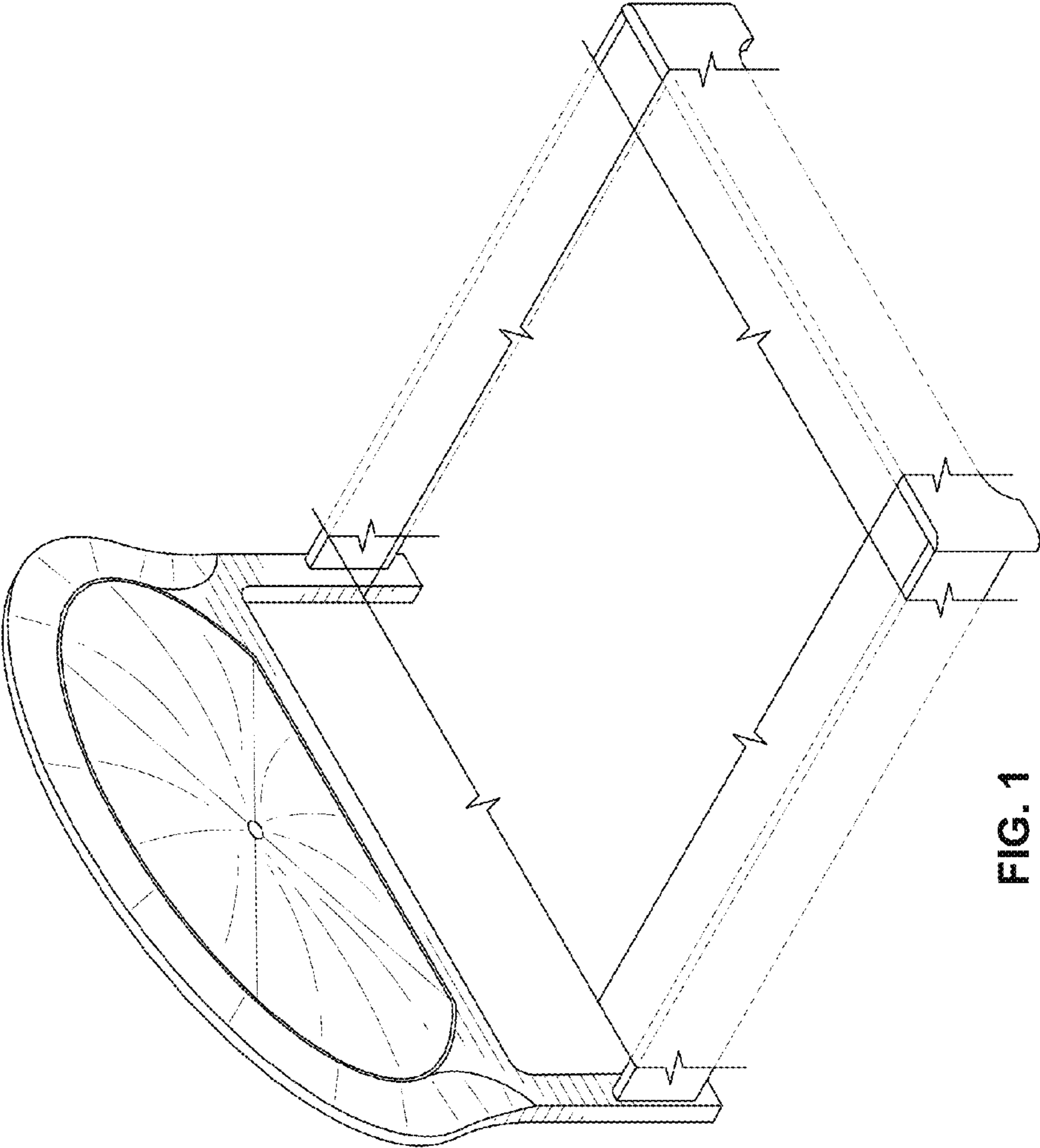


FIG. 1

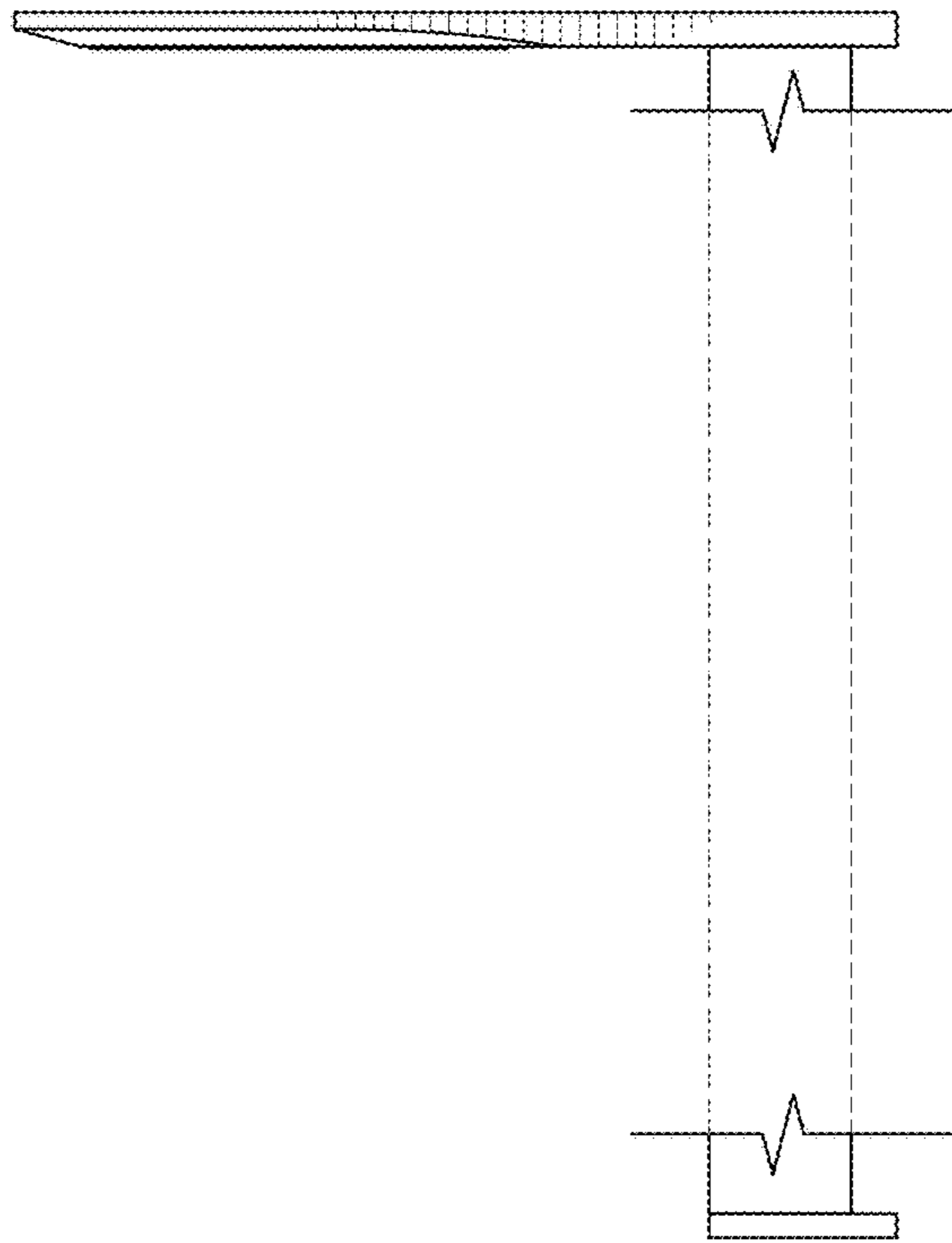


FIG. 3

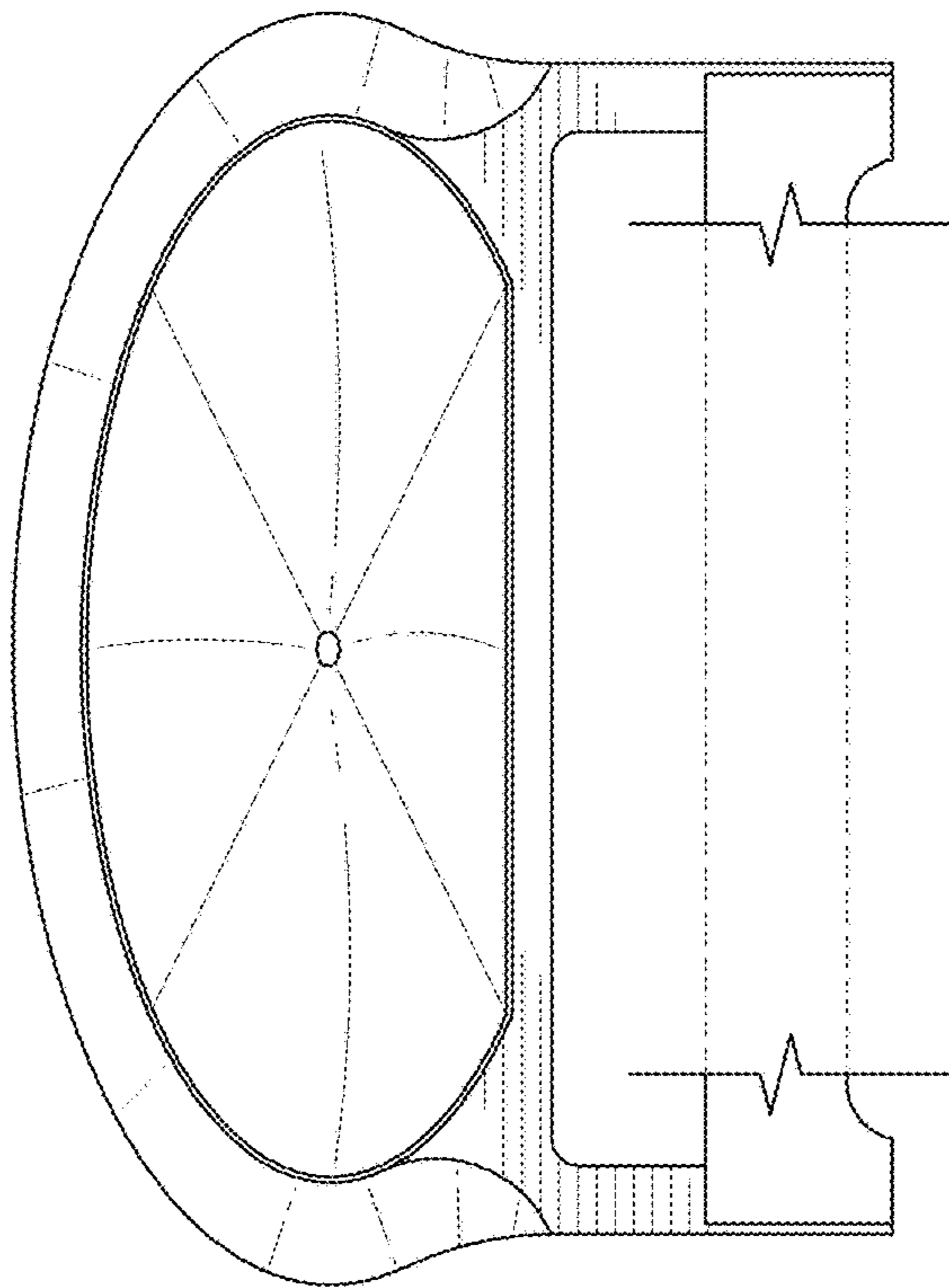


FIG. 2

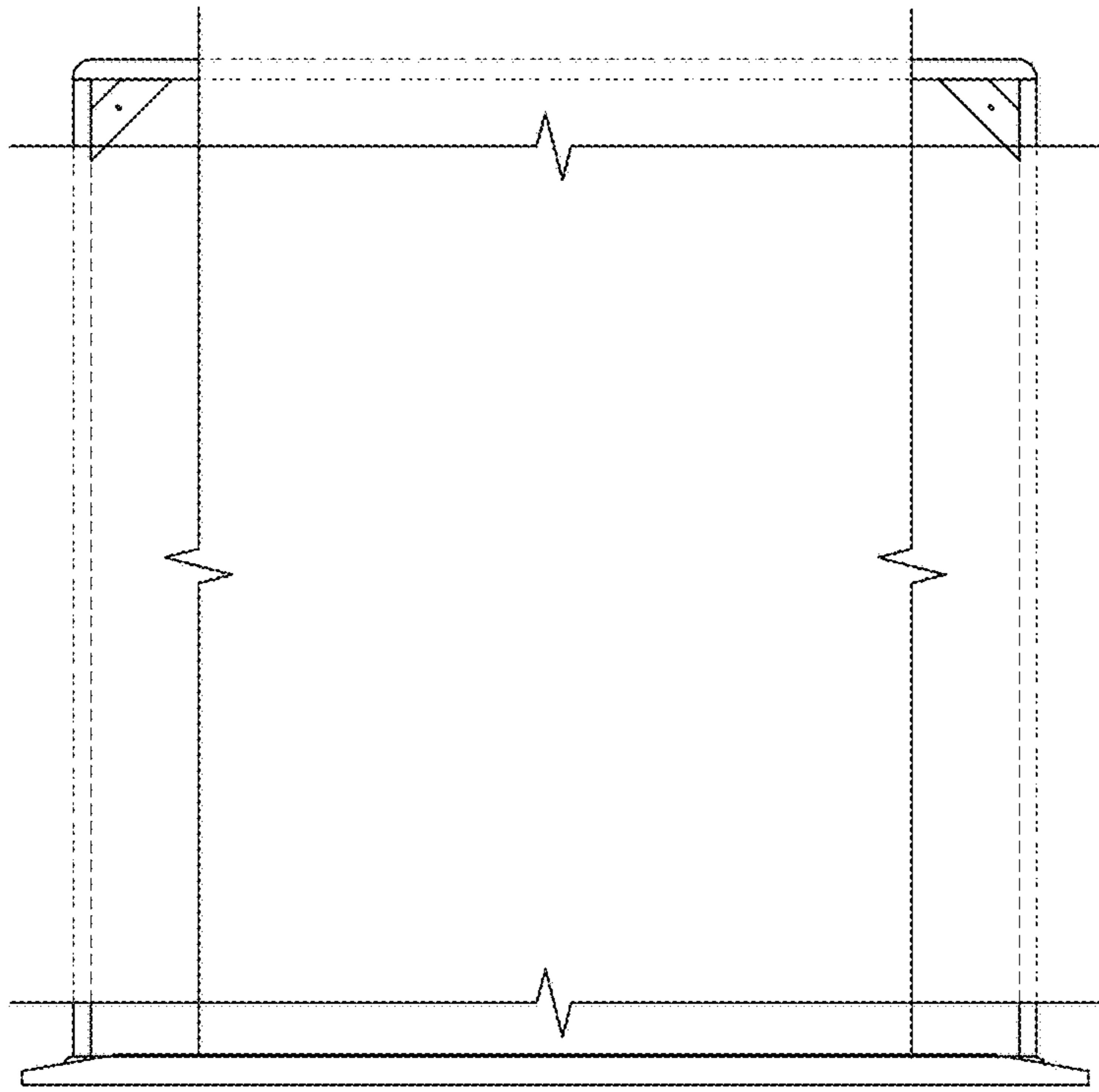


FIG. 5

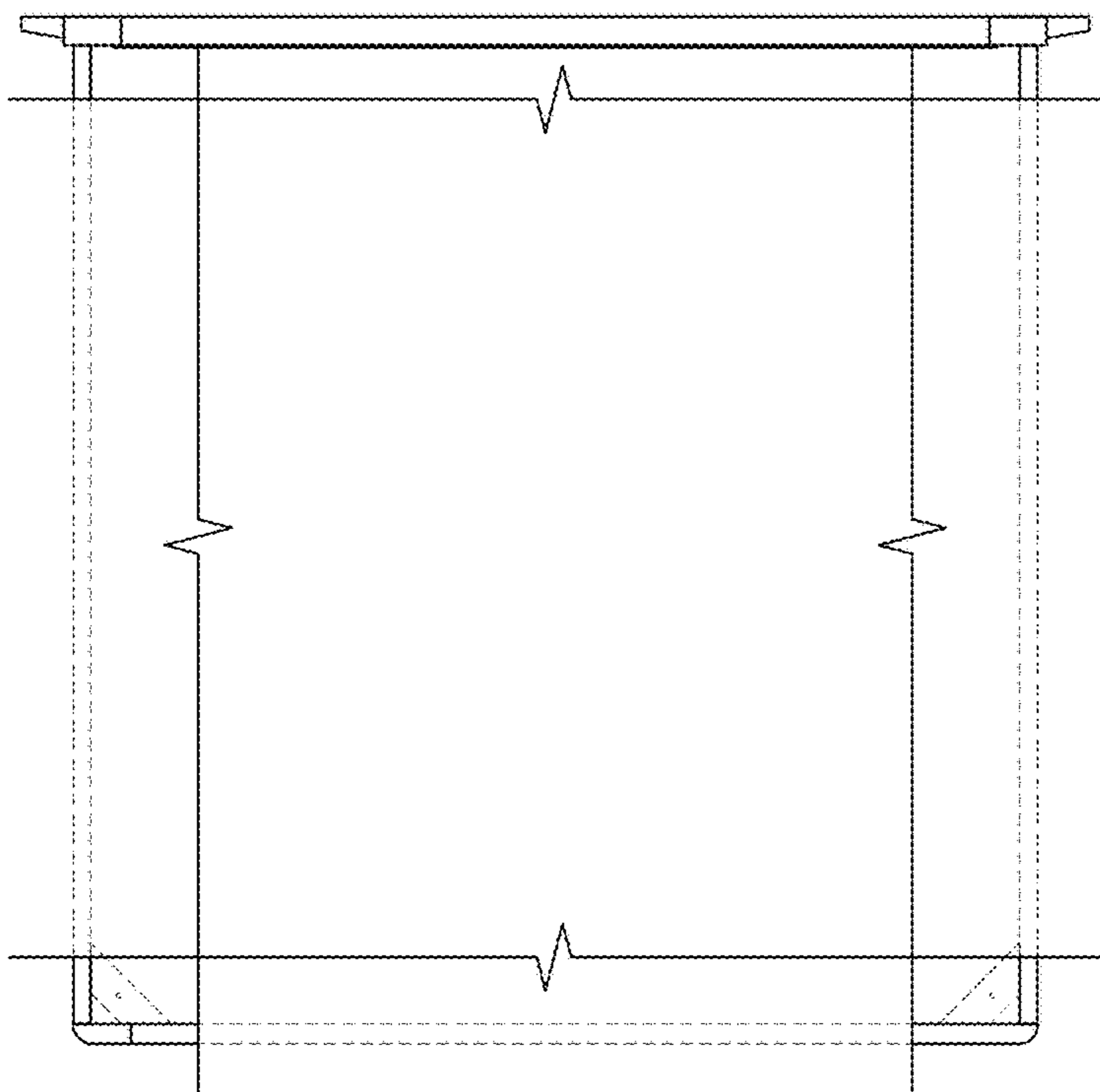


FIG. 4

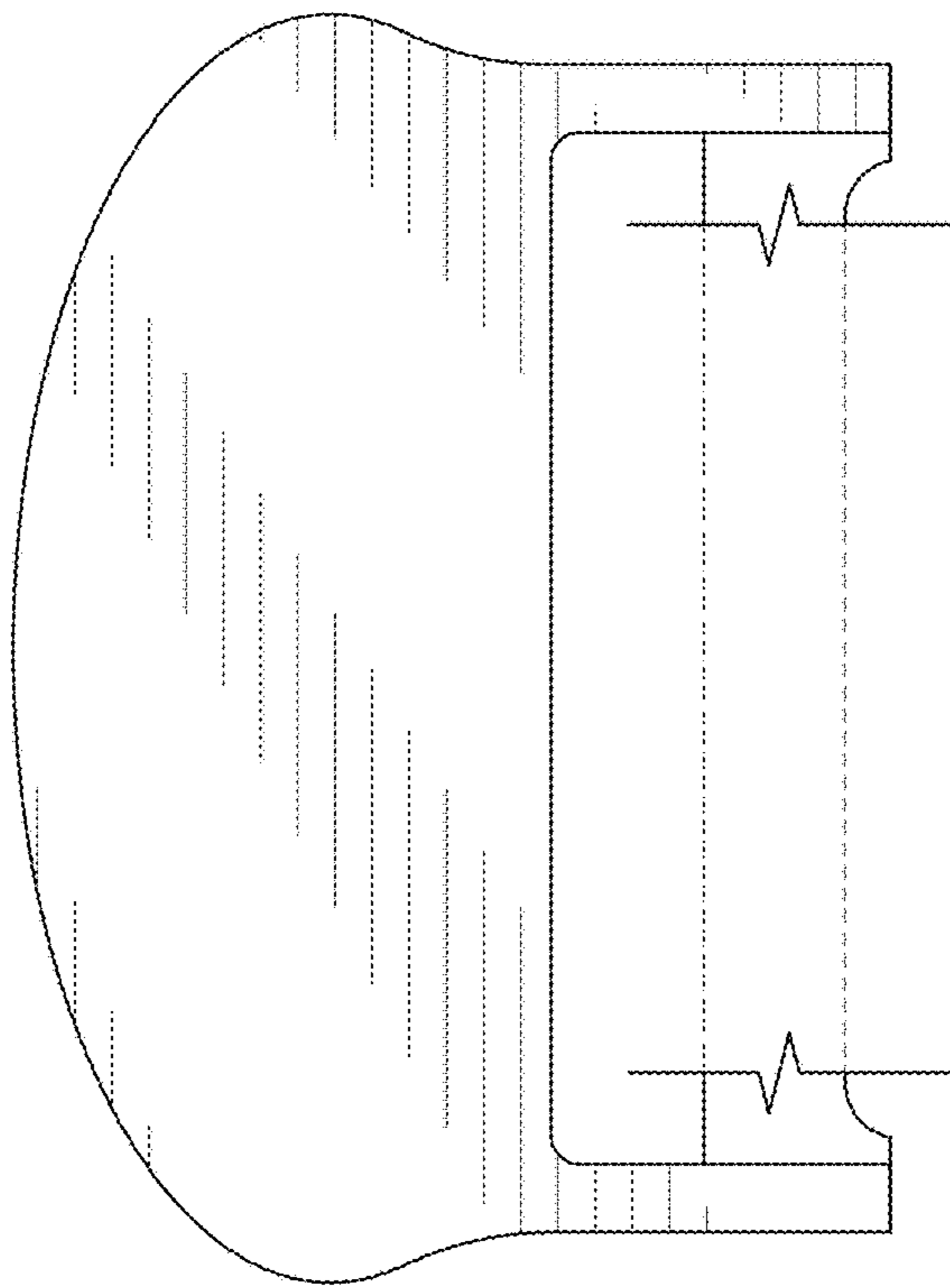


FIG. 6

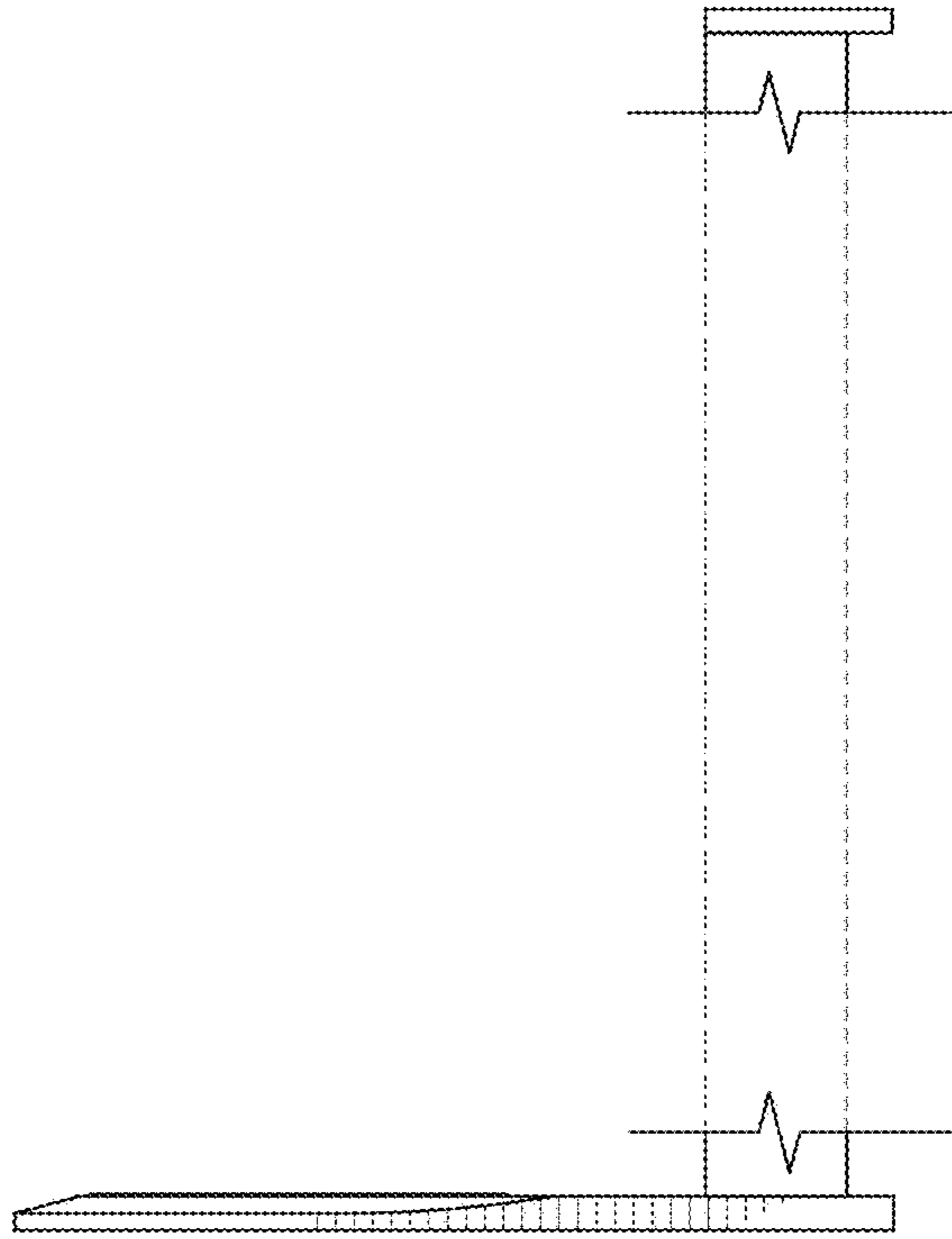


FIG. 7