



US00D837554S

(12) **United States Design Patent**
Harman

(10) **Patent No.:** **US D837,554 S**

(45) **Date of Patent:** **** Jan. 8, 2019**

(54) **CHAIR**

(71) Applicant: **Christopher Harman**, Austin, TX (US)

(72) Inventor: **Christopher Harman**, Austin, TX (US)

(**) Term: **15 Years**

(21) Appl. No.: **29/646,075**

(22) Filed: **May 1, 2018**

Related U.S. Application Data

(63) Continuation of application No. 29/606,695, filed on Jun. 7, 2017, now Pat. No. Des. 819,354.

(51) **LOC (11) Cl.** **06-01**

(52) **U.S. Cl.**

USPC **D6/370**; D6/379

(58) **Field of Classification Search**

USPC D6/334-336, 370, 371, 373, 374, 379,
D6/380, 716.1, 716.2, 716.3, 716.4

CPC A47C 4/02; A47C 4/03; A47C 4/08; A47C
4/024; A47C 4/025; A47C 4/028; A47C
7/16; A47C 7/54

See application file for complete search history.

(56) **References Cited**

U.S. PATENT DOCUMENTS

2,364,452 A * 12/1944 Kramer A47C 4/02
297/343

D215,929 S * 11/1969 Guillon D6/334

D222,051 S * 9/1971 Shannon D6/370

D229,135 S * 11/1973 Ruoslahti D6/379

D233,494 S * 11/1974 Bolyos D6/373

D244,328 S * 5/1977 Heumann D6/334

4,046,417 A * 9/1977 Beckley A47C 4/08
297/122

D495,156 S * 8/2004 Gower D6/370

D698,170 S * 1/2014 Caldwell D6/370

D819,354 S * 6/2018 Harman D6/370

* cited by examiner

Primary Examiner — Mimoso De

(74) *Attorney, Agent, or Firm* — Pierson IP, PLLC

(57) **CLAIM**

The ornamental design for a chair, as shown and described.

DESCRIPTION

FIG. 1 is a perspective view of a chair showing our new design thereof;

FIG. 2 is a side view of the chair shown in FIG. 1;

FIG. 3 is a front view of the chair shown in FIG. 1;

FIG. 4 is a rear view of the chair shown in FIG. 1;

FIG. 5 is a top view of the chair shown in FIG. 1;

FIG. 6 is a bottom view of the chair shown in FIG. 1; and,

FIG. 7 is a perspective view of the chair shown in FIG. 1.

Elements shown in broken lines show non-claimed elements of the chair and form no part of our design.

1 Claim, 5 Drawing Sheets

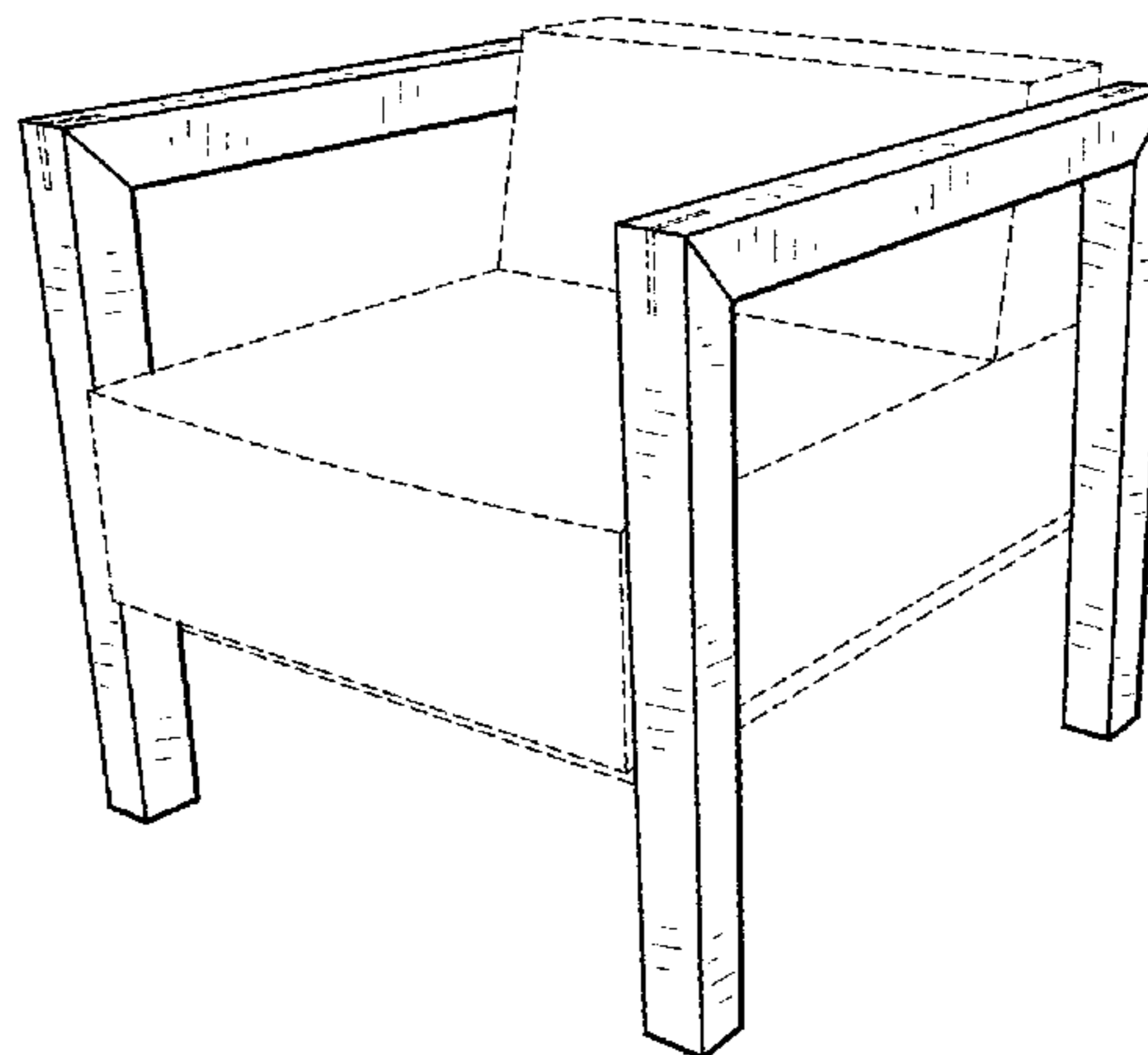
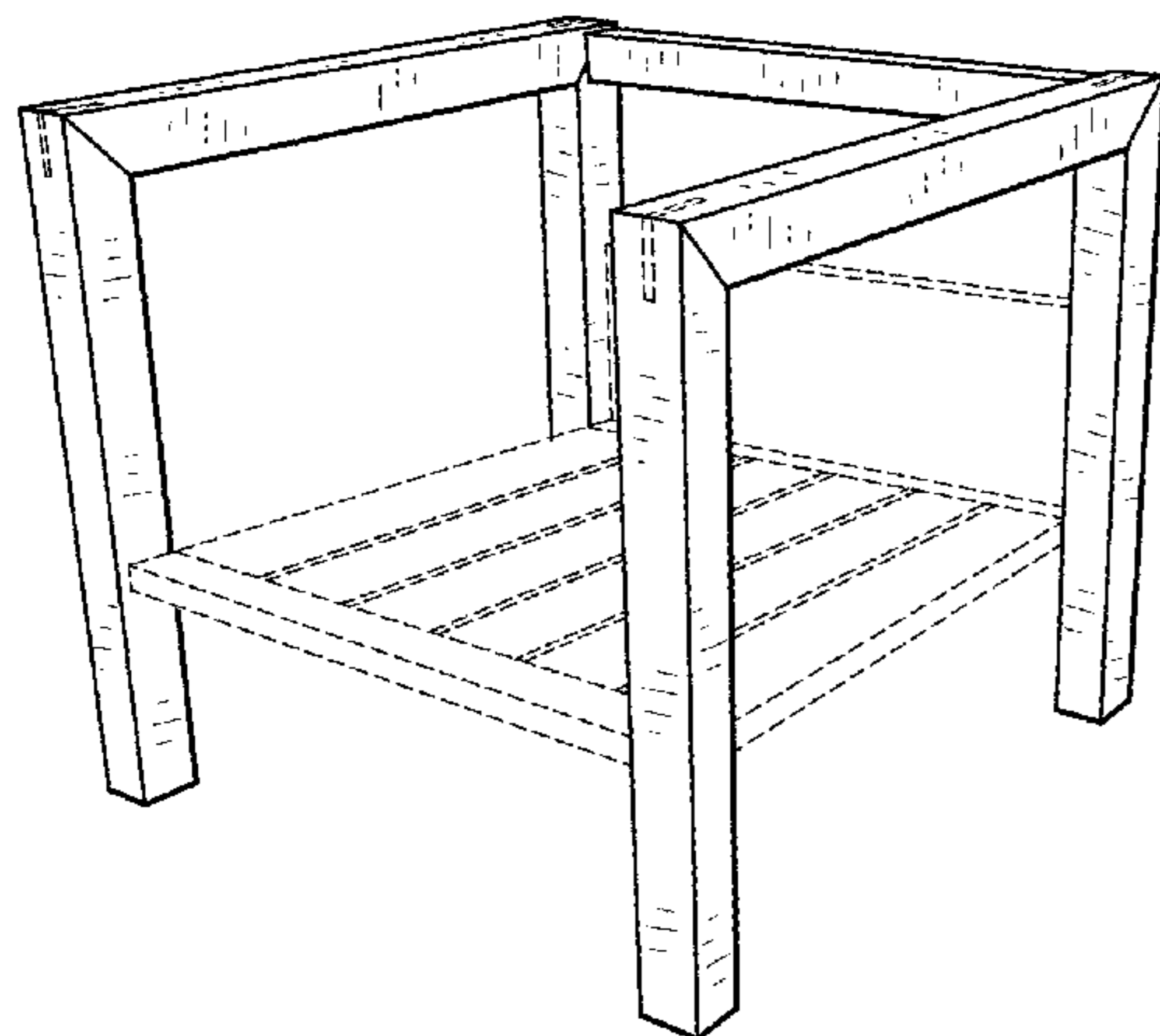


FIG. 1

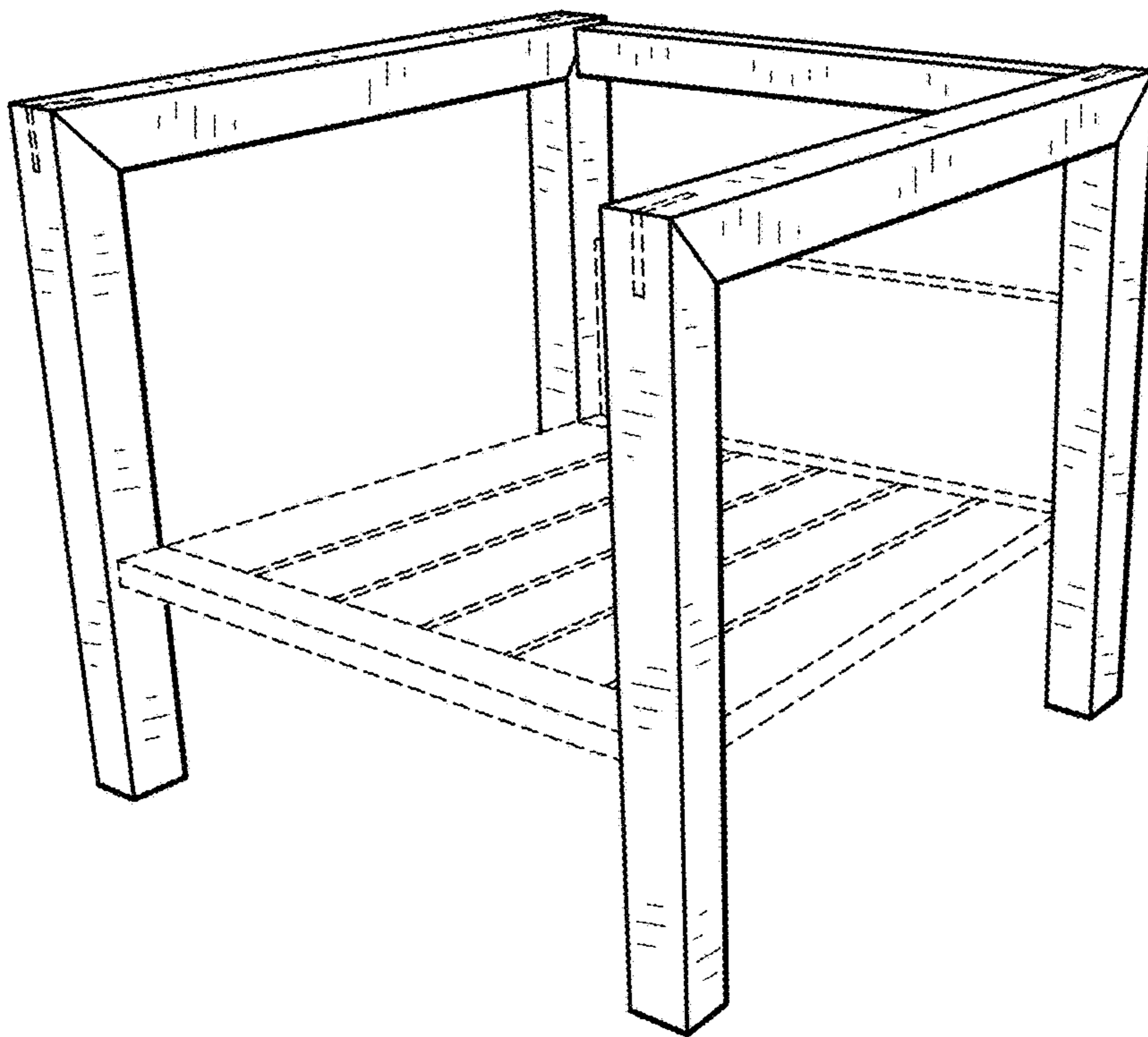


FIG. 2

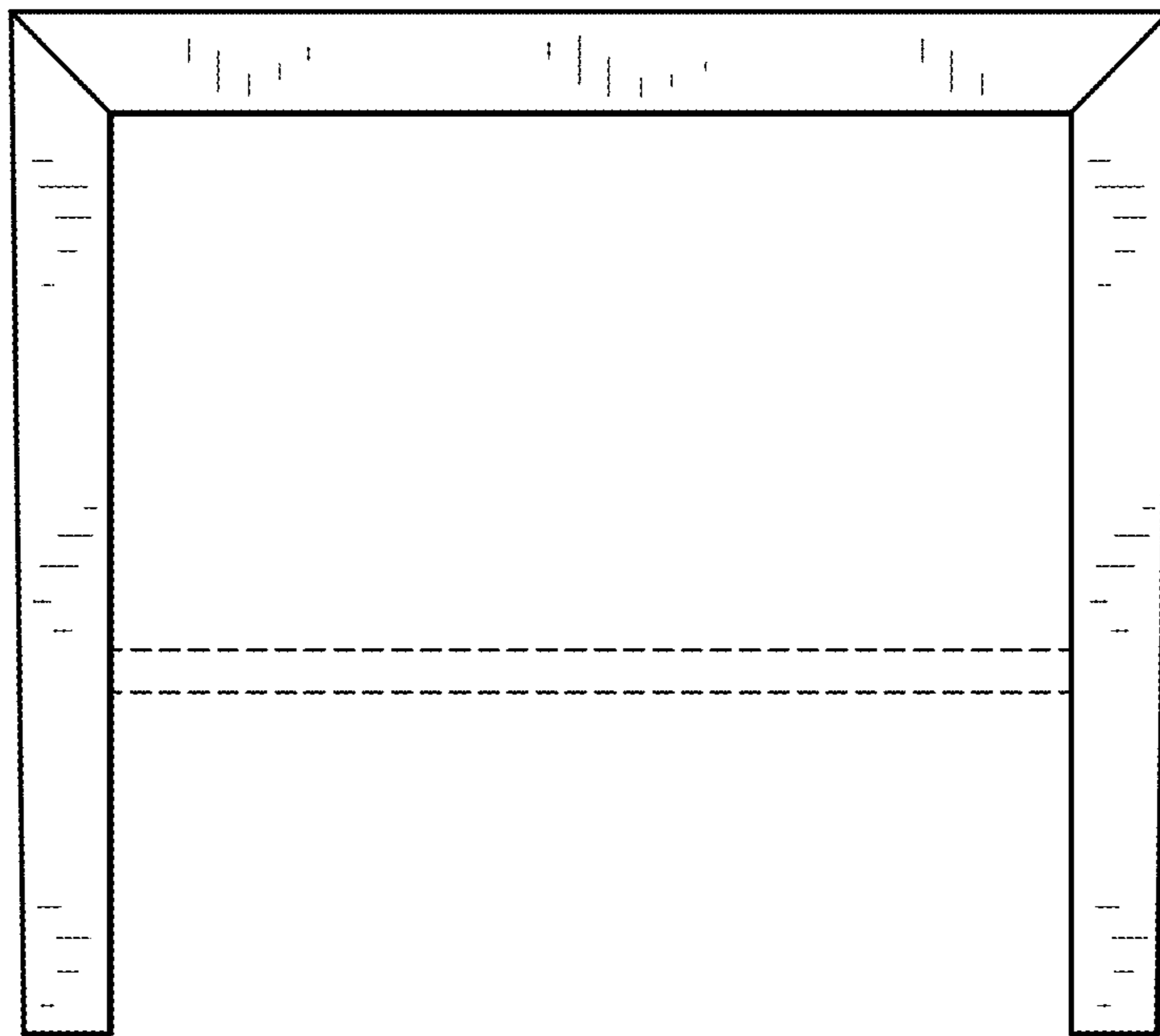


FIG. 3

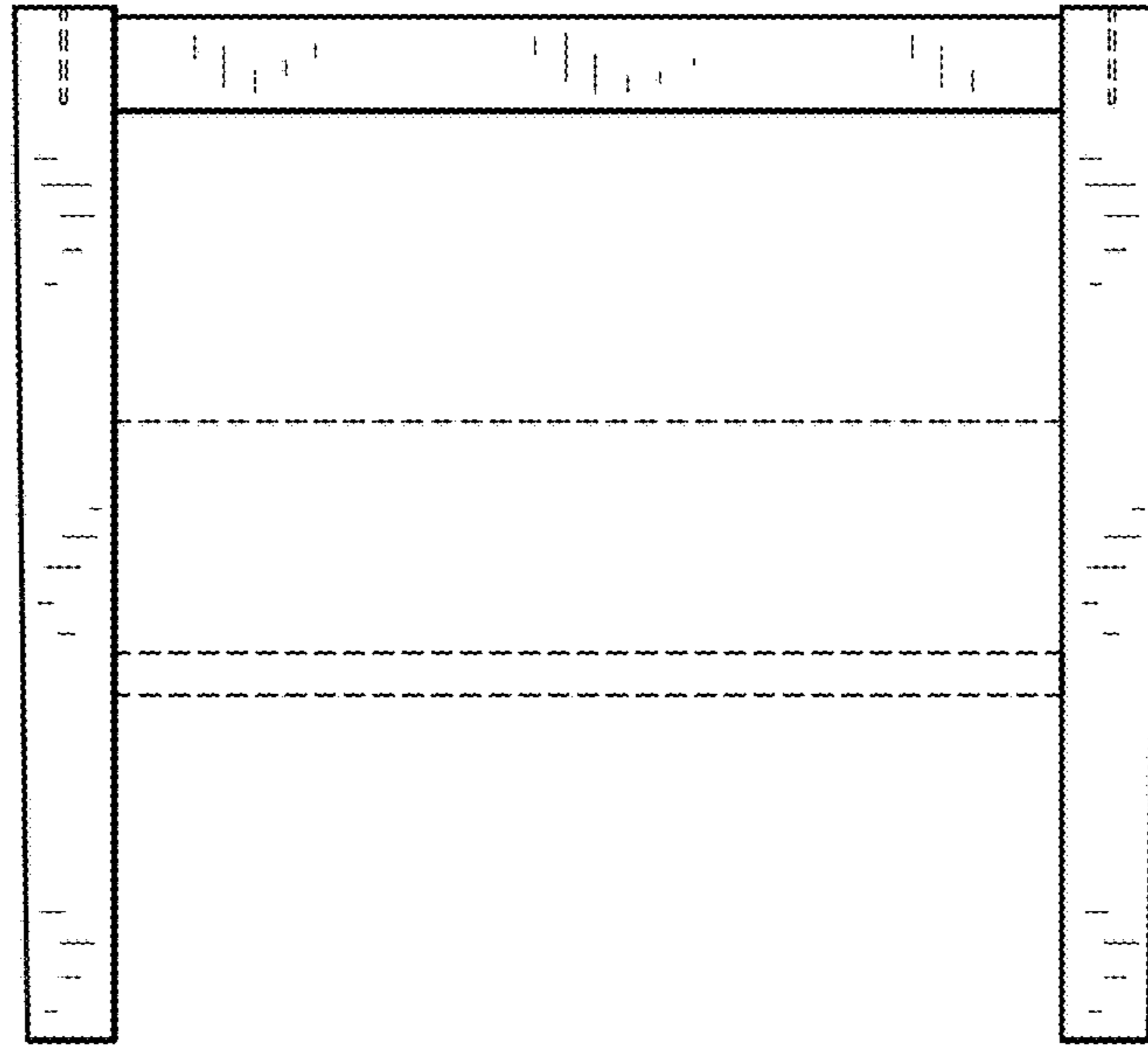


FIG. 4

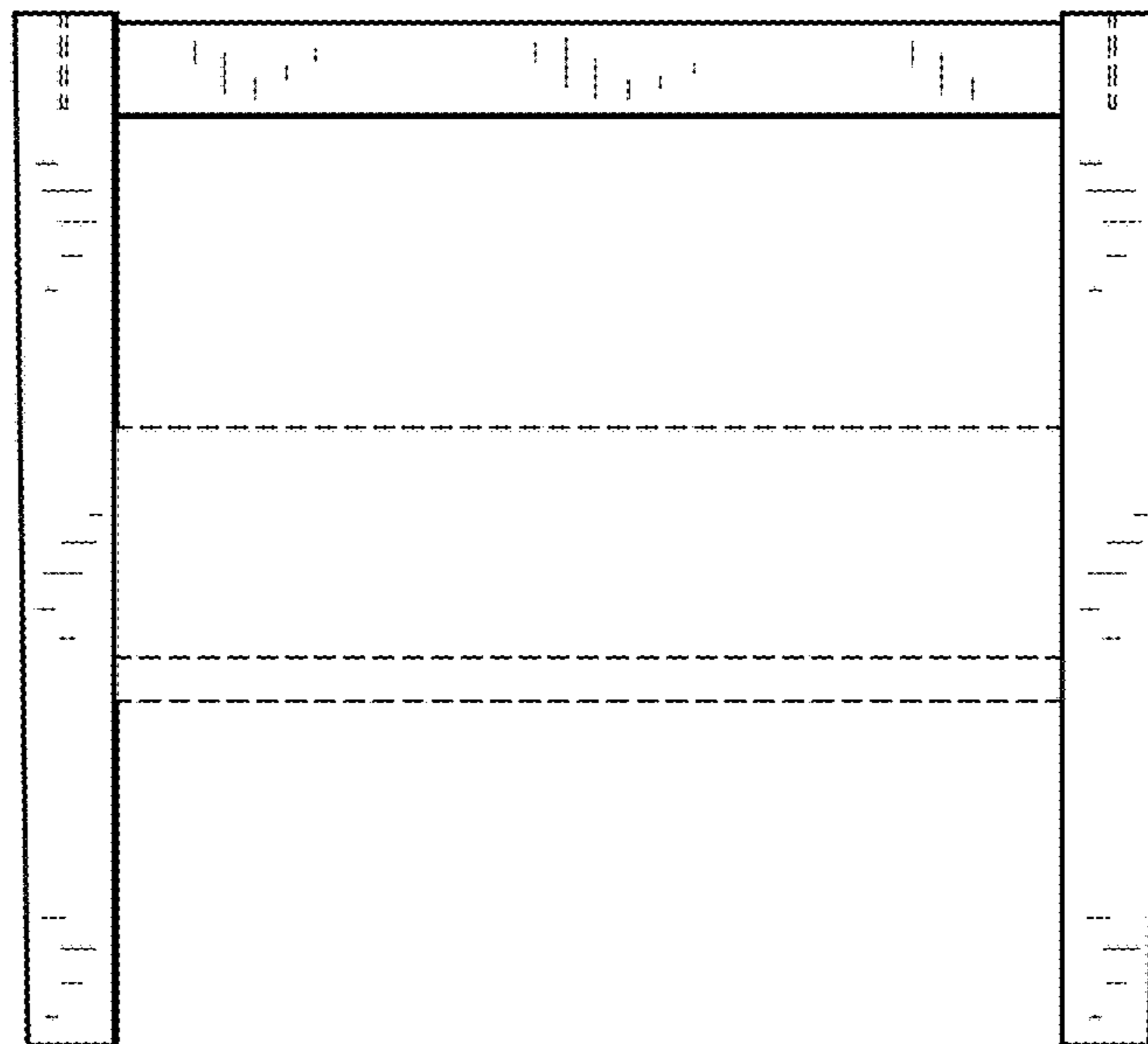


FIG. 5

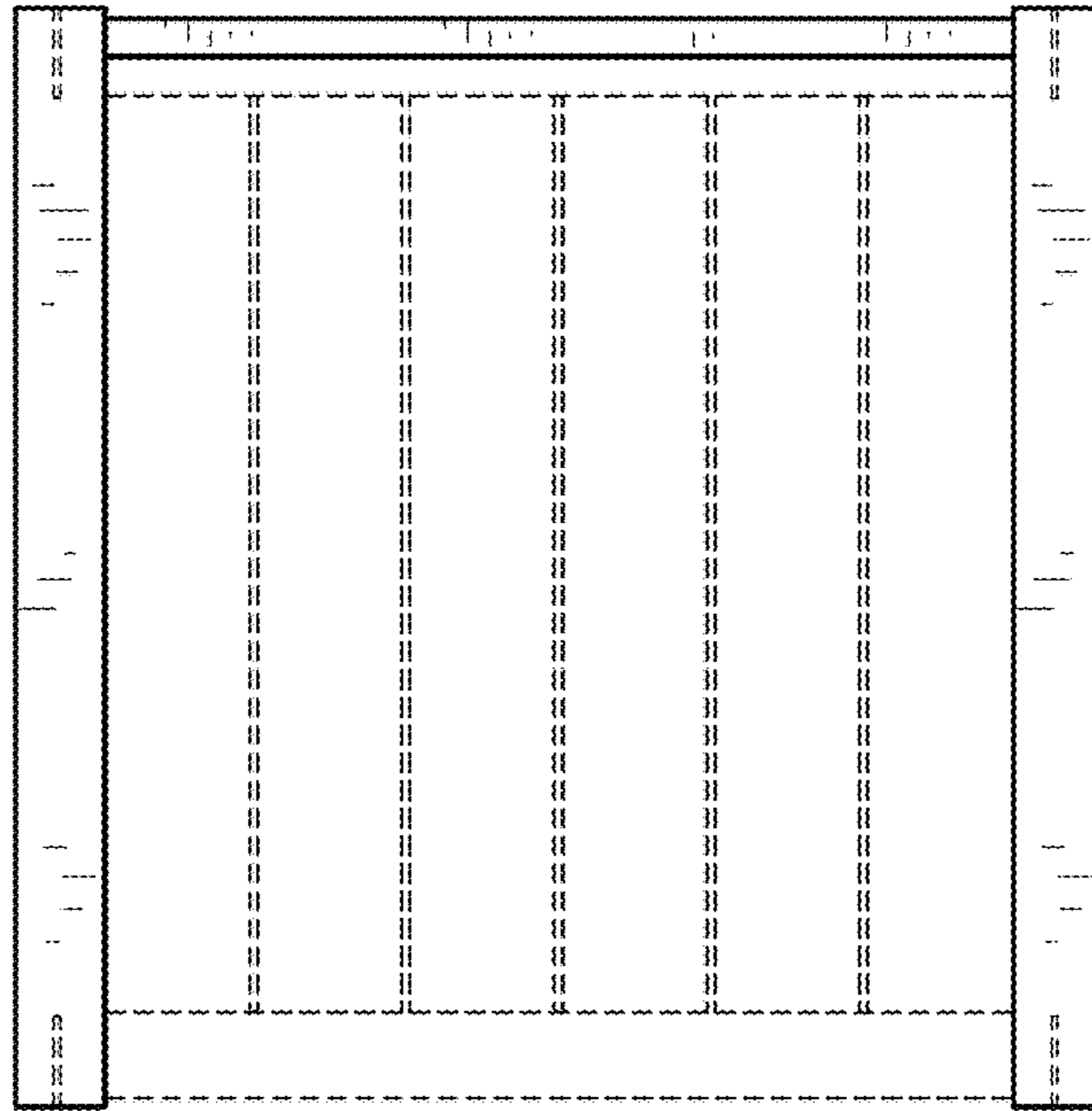


FIG. 6

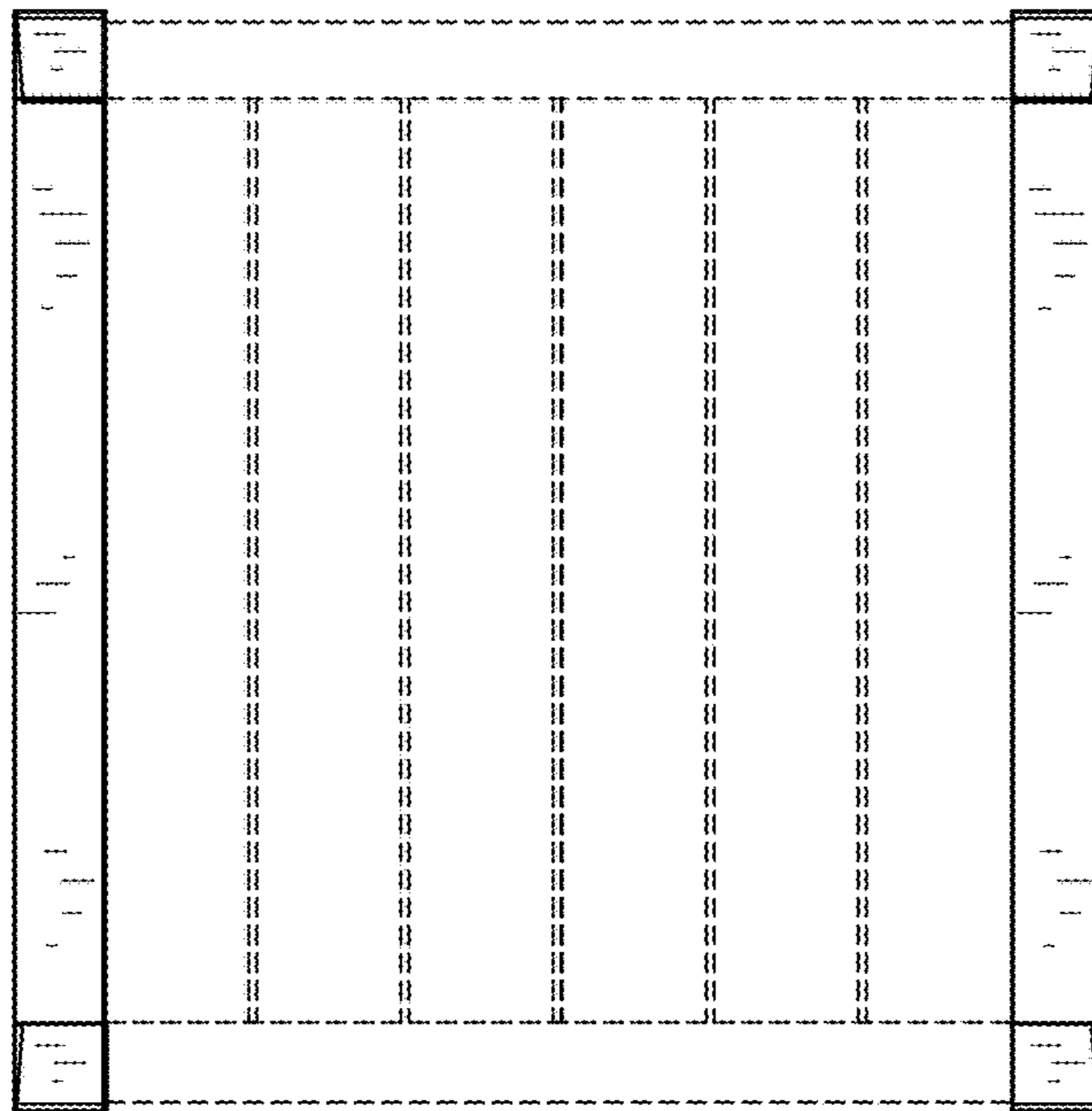


FIG. 7

