



US00D837550S

(12) **United States Design Patent**
Buffery

(10) **Patent No.:** **US D837,550 S**
(45) **Date of Patent:** **** Jan. 8, 2019**

(54) **BENCH SEAT FOR A VEHICLE**
(71) Applicant: **Jaguar Land Rover Limited**, Whitley,
Coventry (GB)
(72) Inventor: **Martin Buffery**, Coventry (GB)
(73) Assignee: **Jaguar Land Rover Limited**, Whitley
Coventry (GB)
(**) Term: **15 Years**
(21) Appl. No.: **29/603,623**
(22) Filed: **May 11, 2017**
(30) **Foreign Application Priority Data**

Nov. 11, 2016 (EM) 003458975-0004
Nov. 11, 2016 (EM) 003458975-0005
Nov. 11, 2016 (EM) 003458975-0006

(51) **LOC (11) Cl.** **06-01**
(52) **U.S. Cl.**
USPC **D6/356**
(58) **Field of Classification Search**
USPC D6/356, 335-338, 357, 360, 367, 716.4,
D6/716.1, 349; D12/400, 345, 190, 195
CPC . B60N 2/00; B60N 2/01; B60N 2/012; B60N
2/02; B60N 2/0292; B60N 2/24; B60N
2/32; B60N 2/34; B60N 2/38; B60N 2/42
See application file for complete search history.

(56) **References Cited**
U.S. PATENT DOCUMENTS

5,286,084 A * 2/1994 Bart B60N 2/3084
297/188.04
5,772,283 A * 6/1998 Yoshida B60N 2/0292
297/452.38
D396,152 S * 7/1998 Beermann D6/356

6,609,745 B2 * 8/2003 Miyahara B60N 2/01
296/65.03
D480,571 S * 10/2003 Yu D6/356
D590,612 S * 4/2009 Zhang D6/356
D639,575 S * 6/2011 Freeman D6/356
7,988,229 B2 * 8/2011 Dill B60N 2/01
297/232
8,042,855 B2 * 10/2011 Blatseas B60N 2/01583
296/65.11
8,434,828 B2 * 5/2013 Arata B60N 2/289
297/353
9,216,671 B2 * 12/2015 Watanabe B60N 2/3013
9,352,676 B1 * 5/2016 Wright B60N 2/58
D771,398 S * 11/2016 Buffery D6/356
D774,319 S * 12/2016 Ingenlath D6/356
D778,080 S * 2/2017 Ahn D6/356
9,616,787 B2 * 4/2017 Siqueira B60N 2/757
D804,207 S * 12/2017 Blomme D6/356
9,919,620 B2 * 3/2018 Supernavage B60N 2/015

(Continued)

Primary Examiner — Deanna L Pratt
(74) *Attorney, Agent, or Firm* — Wood Herron & Evans
LLP

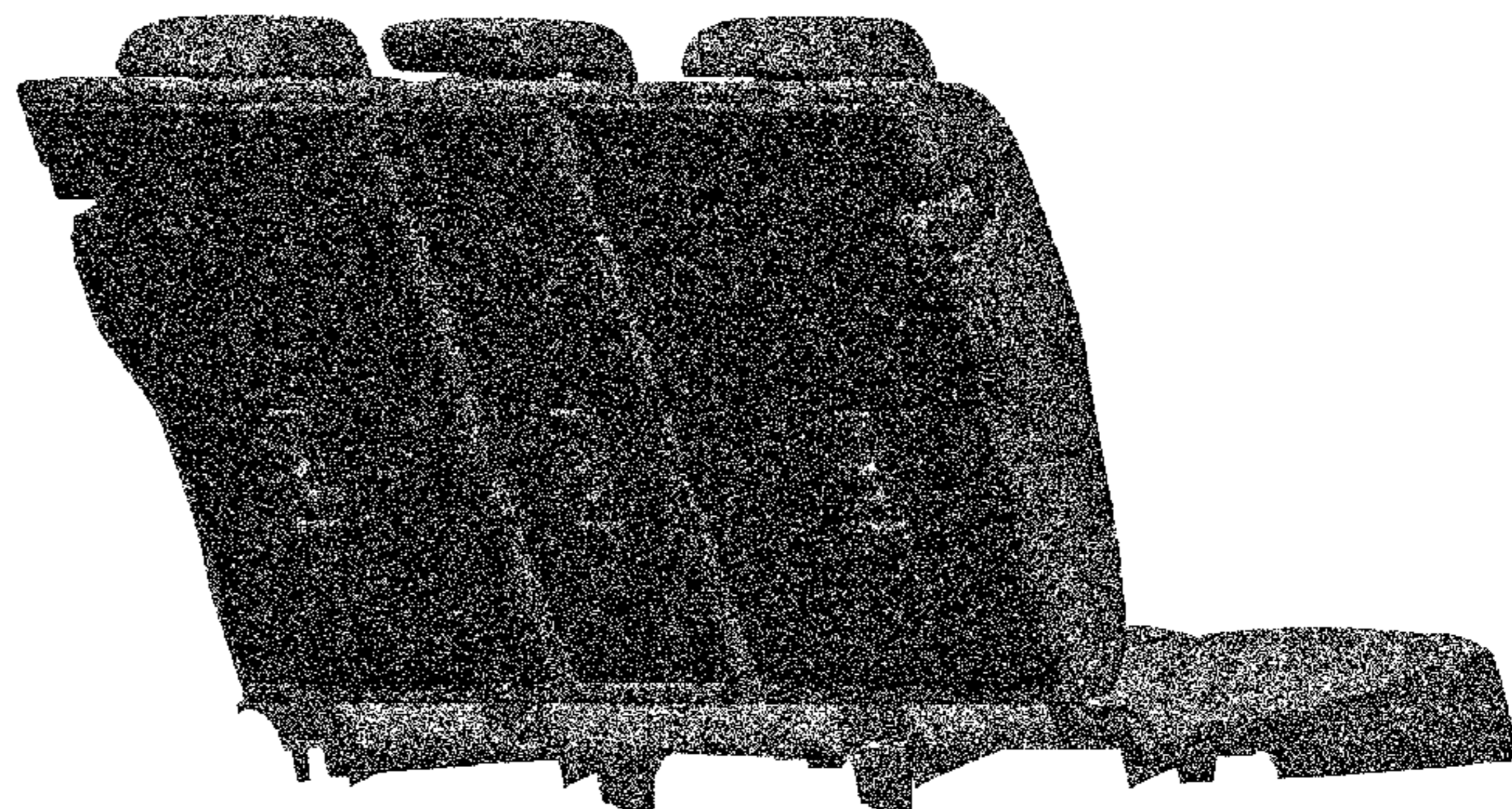
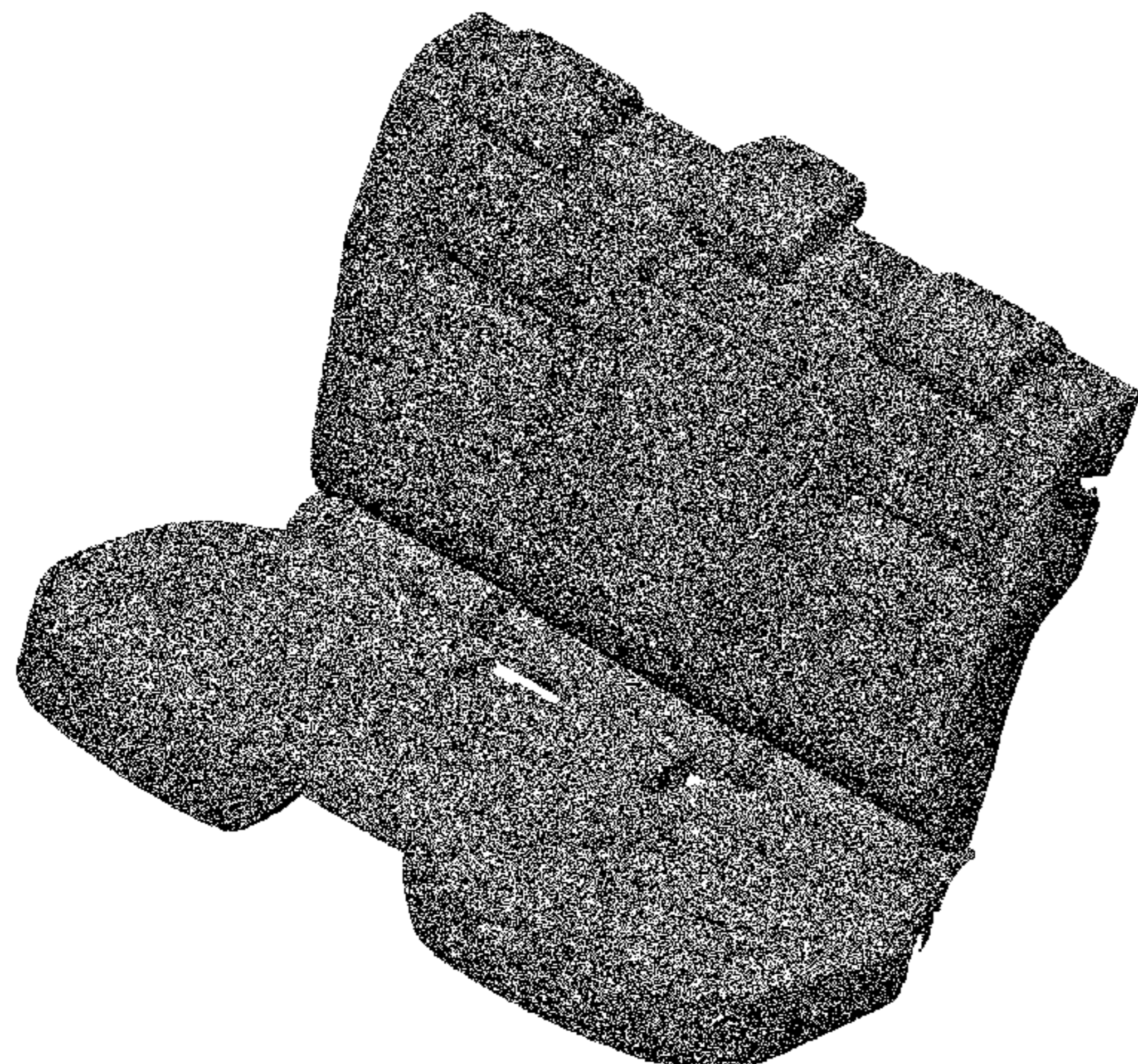
(57) **CLAIM**

The ornamental design for a bench seat for a vehicle, as shown and described.

DESCRIPTION

FIG. 1 is a front left perspective view of a bench seat for a vehicle according to the present invention.
FIG. 2 is a front right perspective view of the bench seat shown in FIG. 1.
FIG. 3 is a rear left perspective view thereof.
FIG. 4 is a rear right perspective view thereof.
FIG. 5 is a front view thereof.
FIG. 6 is a rear view thereof.
FIG. 7 is a left side view thereof.
FIG. 8 is a right side view thereof; and,
FIG. 9 is a top view thereof.

1 Claim, 9 Drawing Sheets



(56)

References Cited

U.S. PATENT DOCUMENTS

2011/0074185 A1* 3/2011 Nakaya B60N 2/4228
297/61
2014/0110988 A1* 4/2014 Nakanishi B60N 2/688
297/481
2016/0318422 A1* 11/2016 Thomas B60N 2/3011

* cited by examiner



FIG. 1

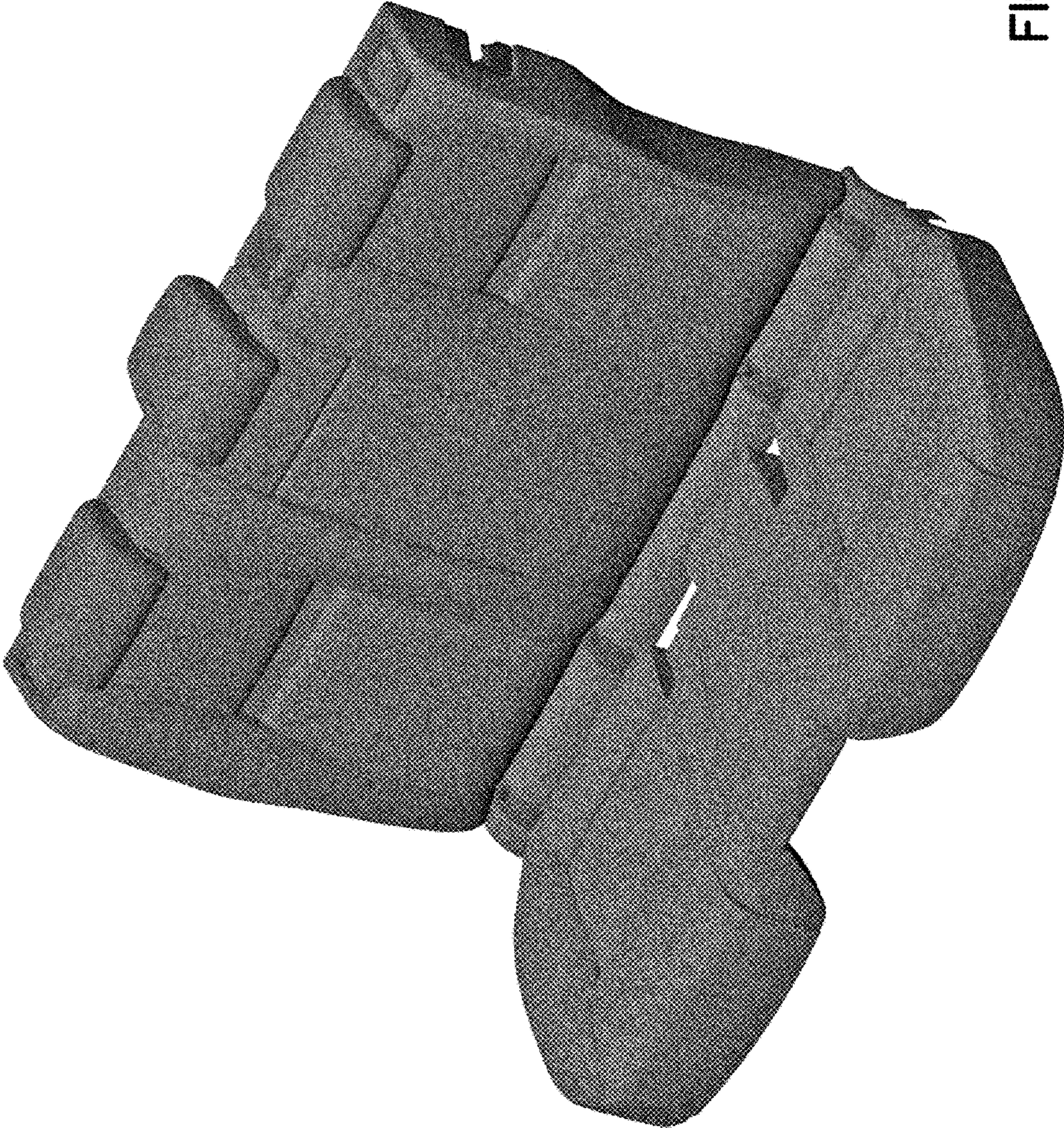


FIG. 2

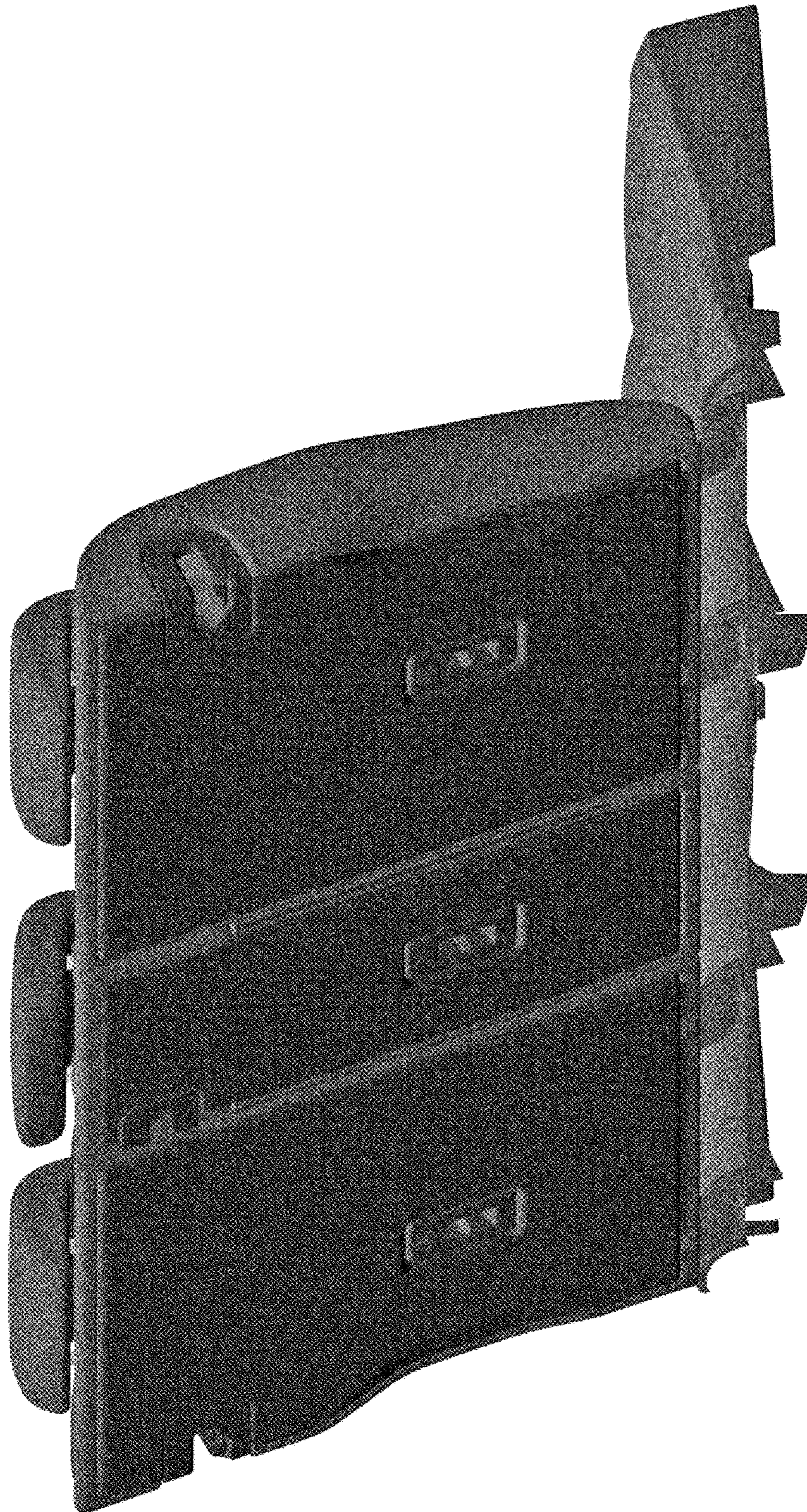


FIG. 3

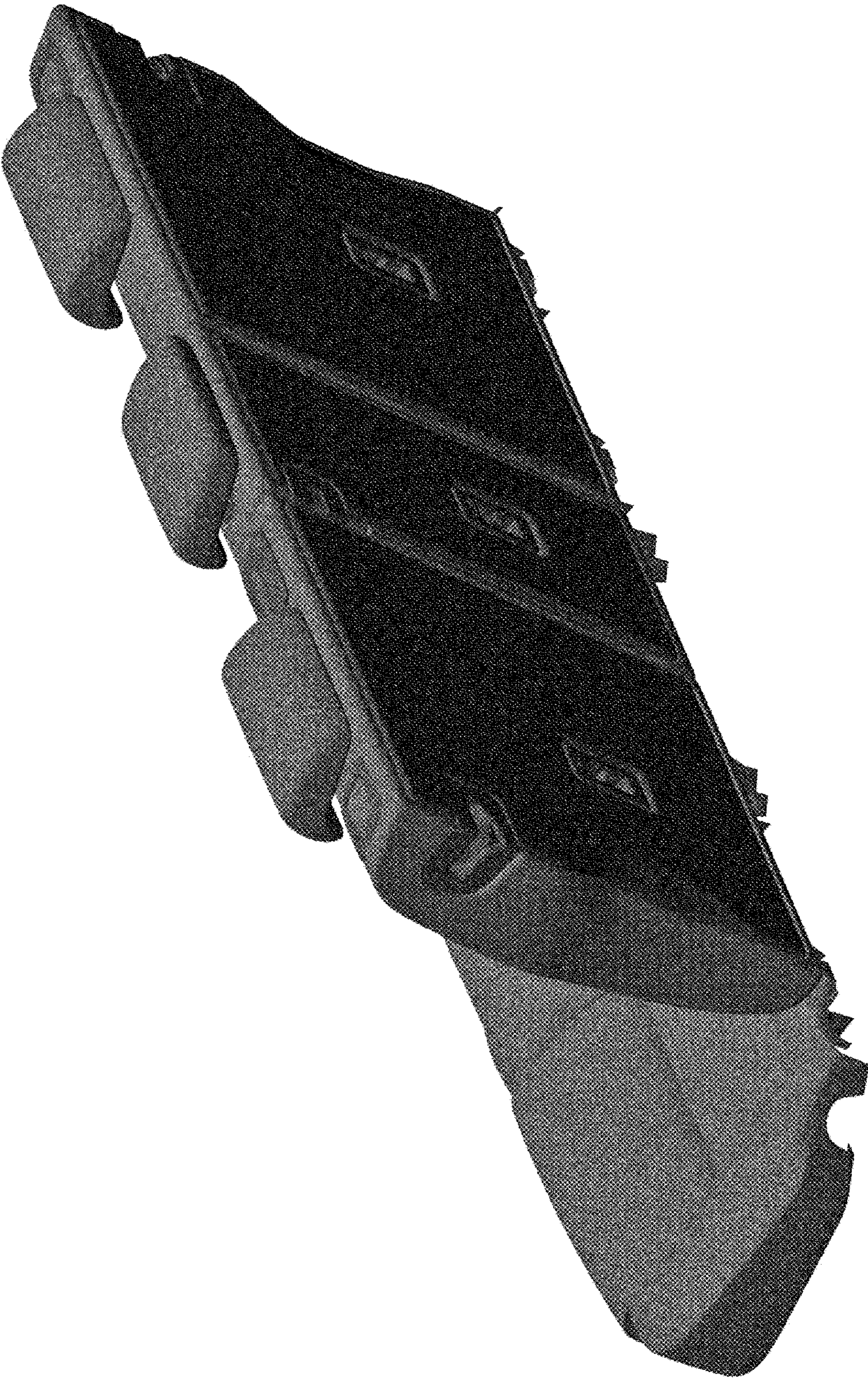


FIG. 4

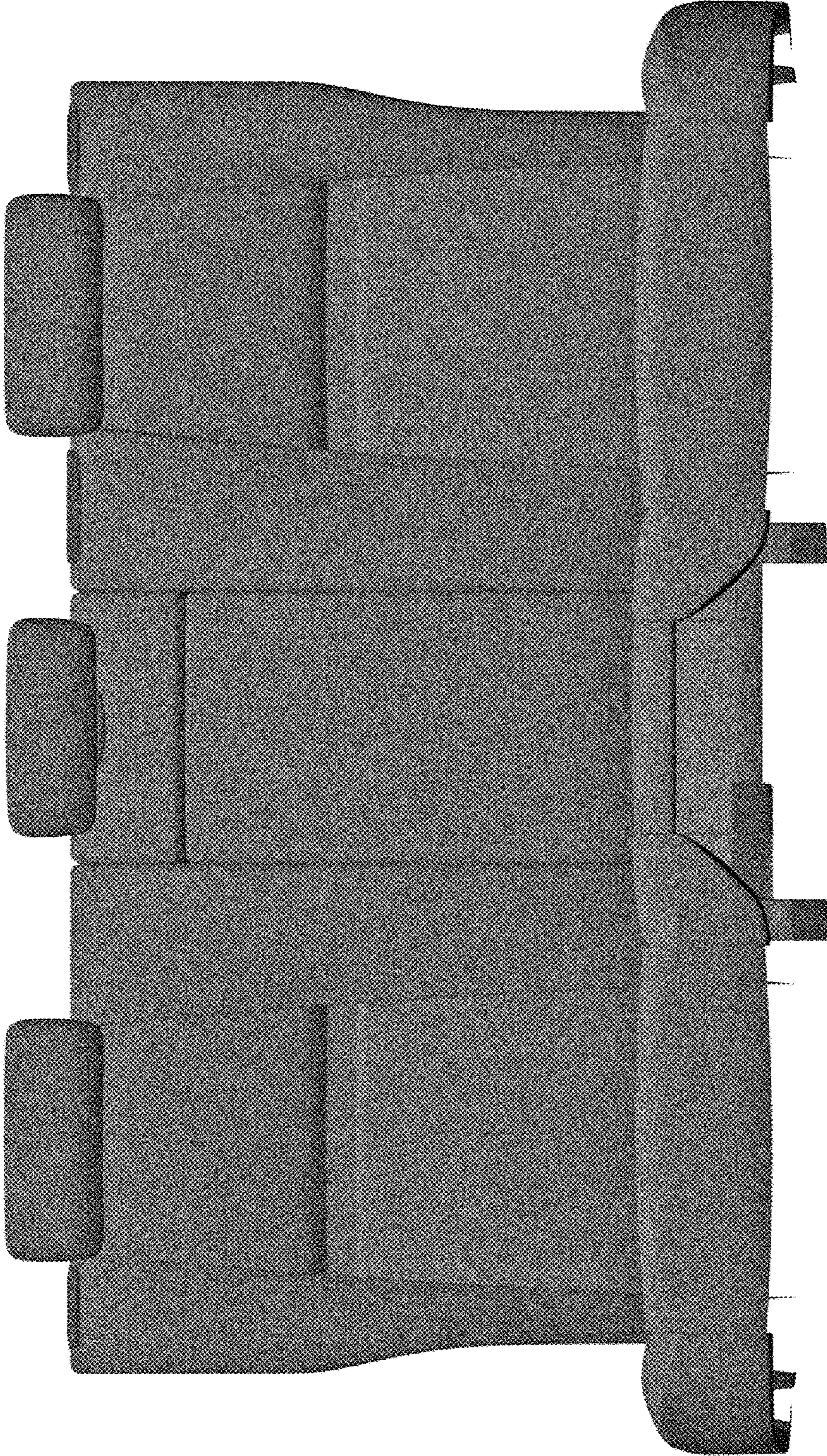


FIG. 5

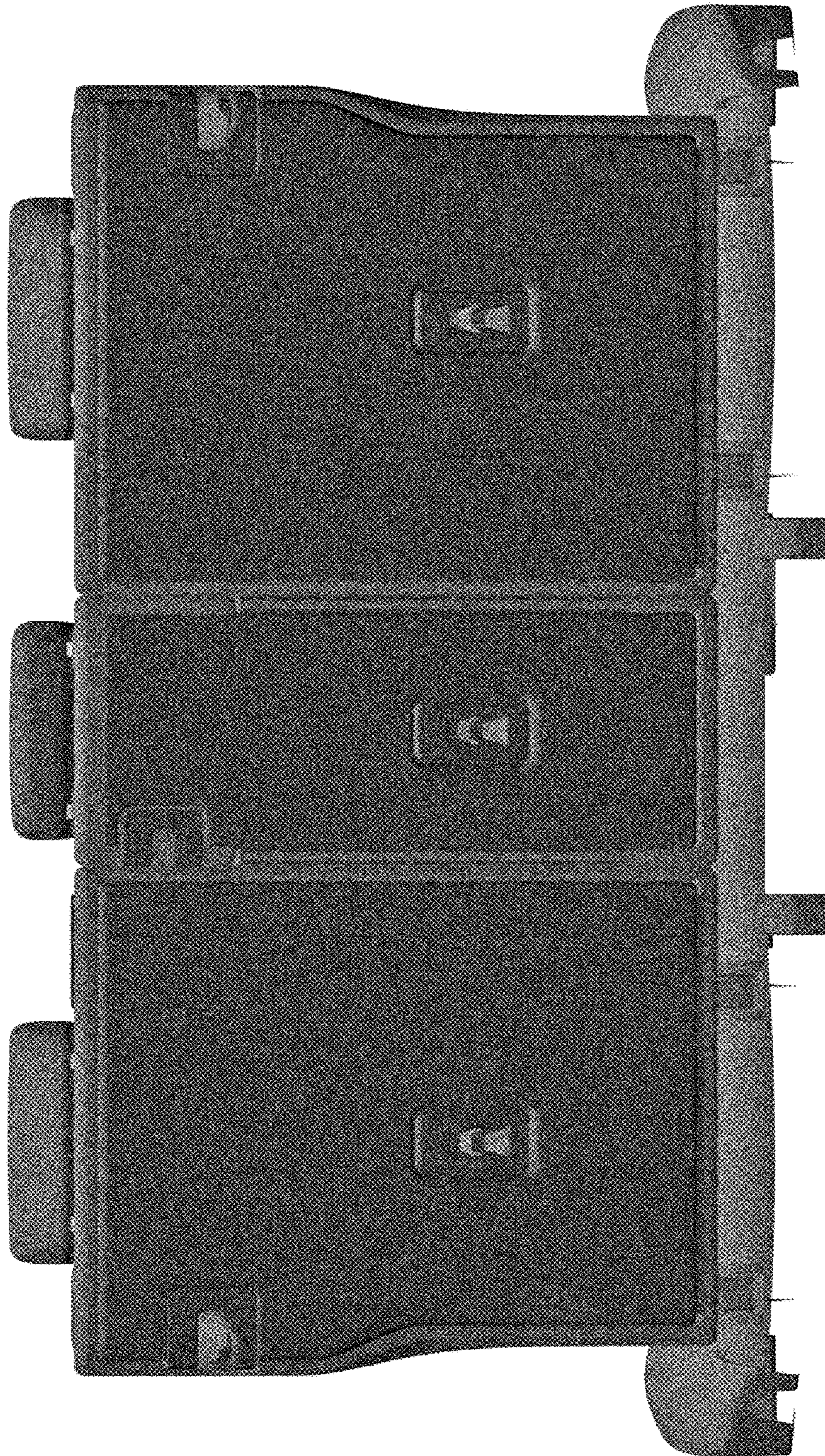


FIG. 6



FIG. 7



FIG. 8

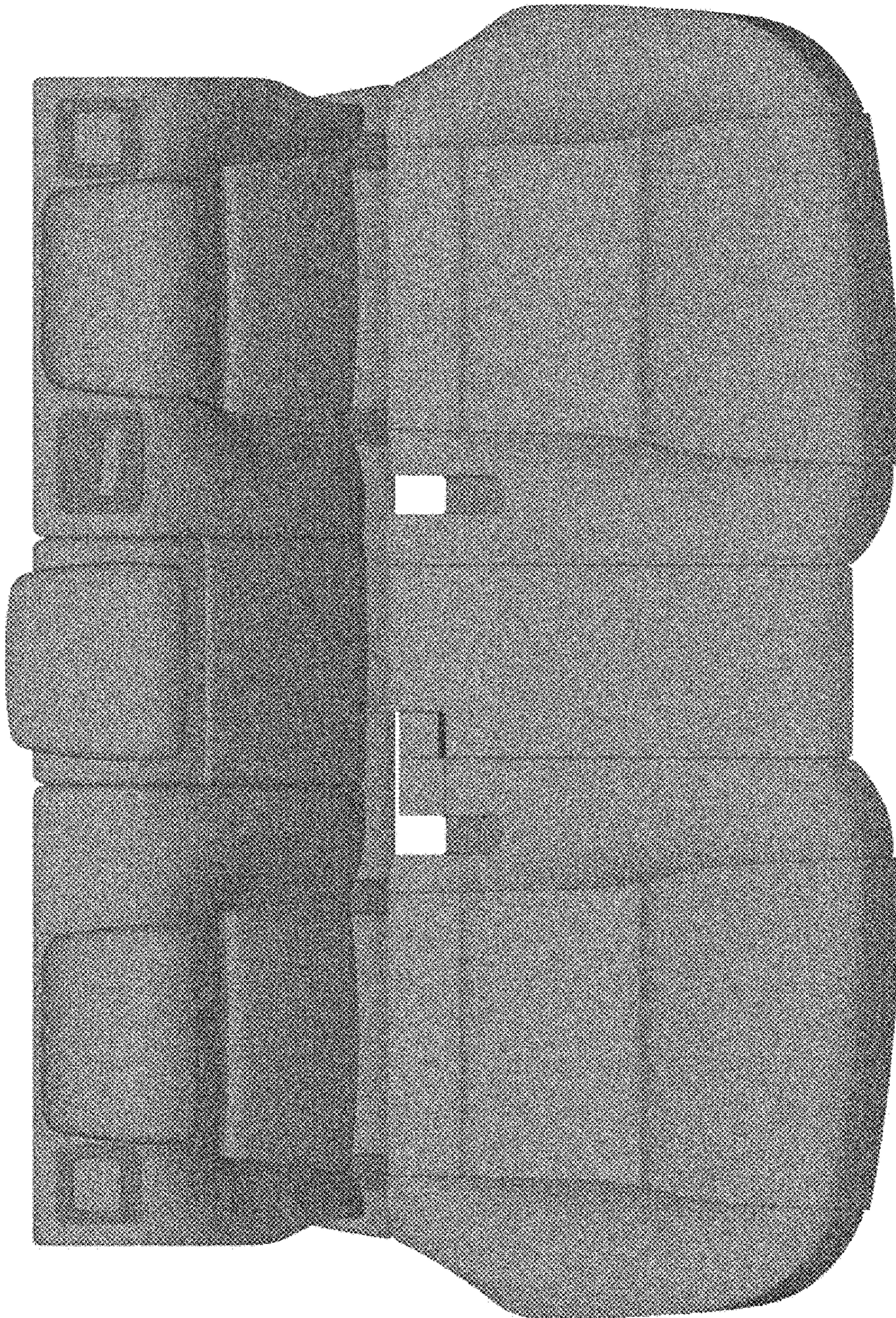


FIG. 9