

US00D837545S

(12) **United States Design Patent** (10) **Patent No.:** **US D837,545 S**
Jahns (45) **Date of Patent:** **** Jan. 8, 2019**

(54) **STOOL WITH RING HANDLE**
(71) Applicant: **Henner Jahns**, Los Angeles, CA (US)
(72) Inventor: **Henner Jahns**, Los Angeles, CA (US)
(**) Term: **15 Years**
(21) Appl. No.: **29/621,687**
(22) Filed: **Oct. 10, 2017**
(51) **LOC (11) Cl.** **06-01**
(52) **U.S. Cl.**
USPC **D6/349**
(58) **Field of Classification Search**
USPC D6/334, 349–353, 355, 364–365, 596,
D6/601, 604, 691–691.9, 692–692.6,
D6/716–716.1
CPC A47C 16/00; A47C 16/02–16/04; A47C
13/00; A47C 11/00; A47C 12/00; A47K
17/02; A47K 17/028; A47B 7/00–7/02
See application file for complete search history.

D801,064 S * 10/2017 Von Boetticher D6/352
D801,714 S * 11/2017 Elmaleh D6/352
D808,183 S * 1/2018 Ono D6/353
D823,624 S * 7/2018 Elmaleh D6/716

OTHER PUBLICATIONS

Ergonomic seating. [online] Retrieved Jul. 30, 2018 from URL:
<<https://www.gecco-vision.com/ergonomic-seating>>.*
Office Stool. Active Extended Height Stool. [online] Retrieved Jul.
30, 2018 from URL: <<https://www.pinterest.com/pin/74168725093220694/>>.*

* cited by examiner

Primary Examiner — Vy N Koenig
(74) *Attorney, Agent, or Firm* — Robert Lauson, Esq.;
Lauson & Tarver LLP

(57) **CLAIM**

I claim the ornamental design for a stool with ring handle,
as shown and described.

DESCRIPTION

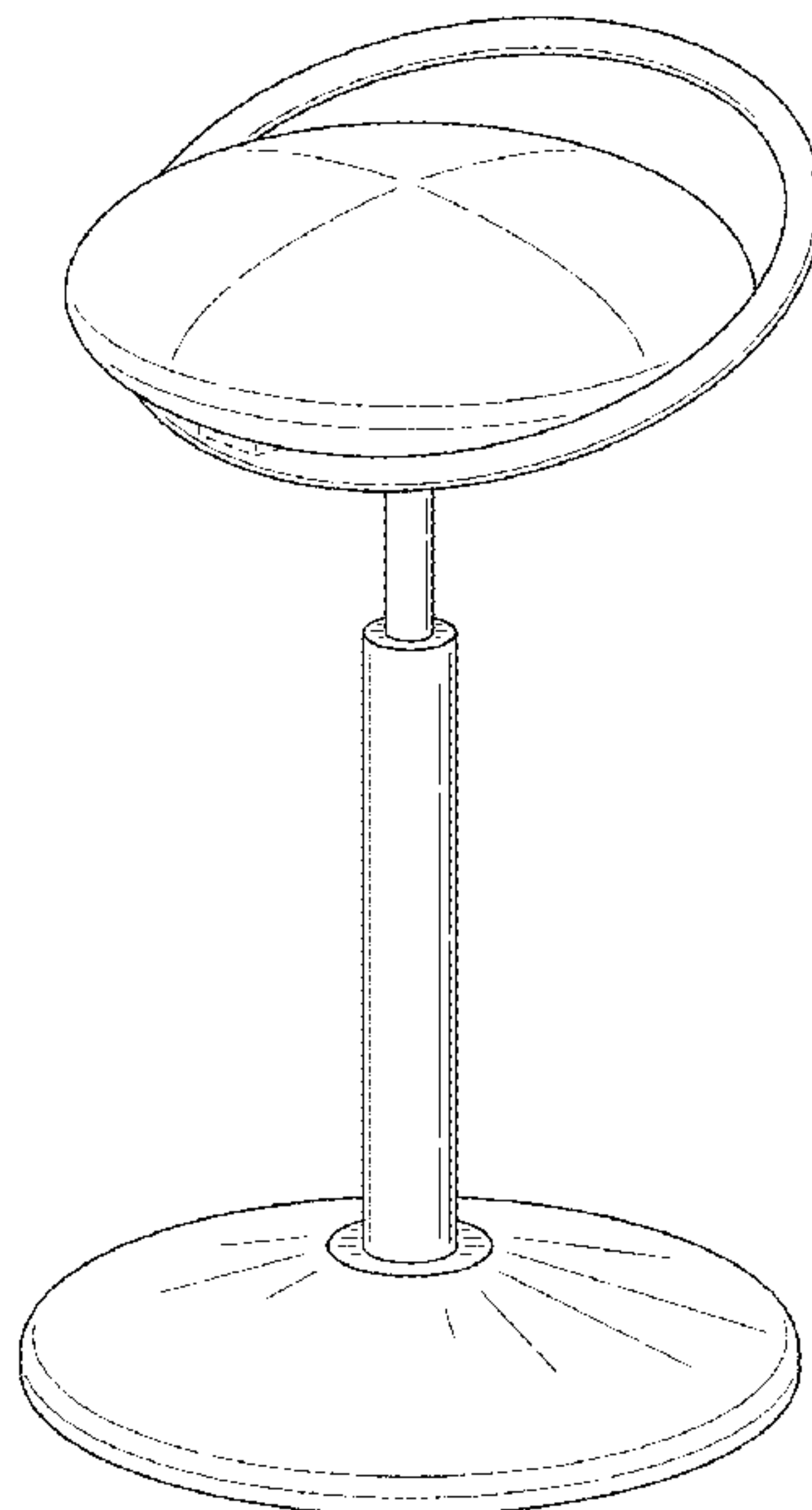
FIG. 1 is a perspective view of a stool with ring handle
showing my new design.
FIG. 2 is a left side view thereof, the right view being a
mirror image of the left side view.
FIG. 3 is a front elevation view thereof.
FIG. 4 is a back elevation view thereof.
FIG. 5 is a top plan view thereof; and,
FIG. 6 is a bottom plan view thereof.
The broken lines shown in the drawings depict portions of
the stool that form no part of the claimed design.

1 Claim, 3 Drawing Sheets

(56) **References Cited**

U.S. PATENT DOCUMENTS

5,044,587 A * 9/1991 Degen A47C 3/025
108/150
D399,066 S * 10/1998 Malatesta D6/349
D487,982 S * 4/2004 Lee A47C 9/007
D6/360
D581,705 S * 12/2008 Li D6/692.3
D671,772 S * 12/2012 Lee D6/692.3
D746,073 S * 12/2015 Elmaleh D6/349
D748,924 S * 2/2016 Walser D6/352
D764,200 S * 8/2016 Elmaleh D6/349
D799,229 S * 10/2017 Pan D6/364



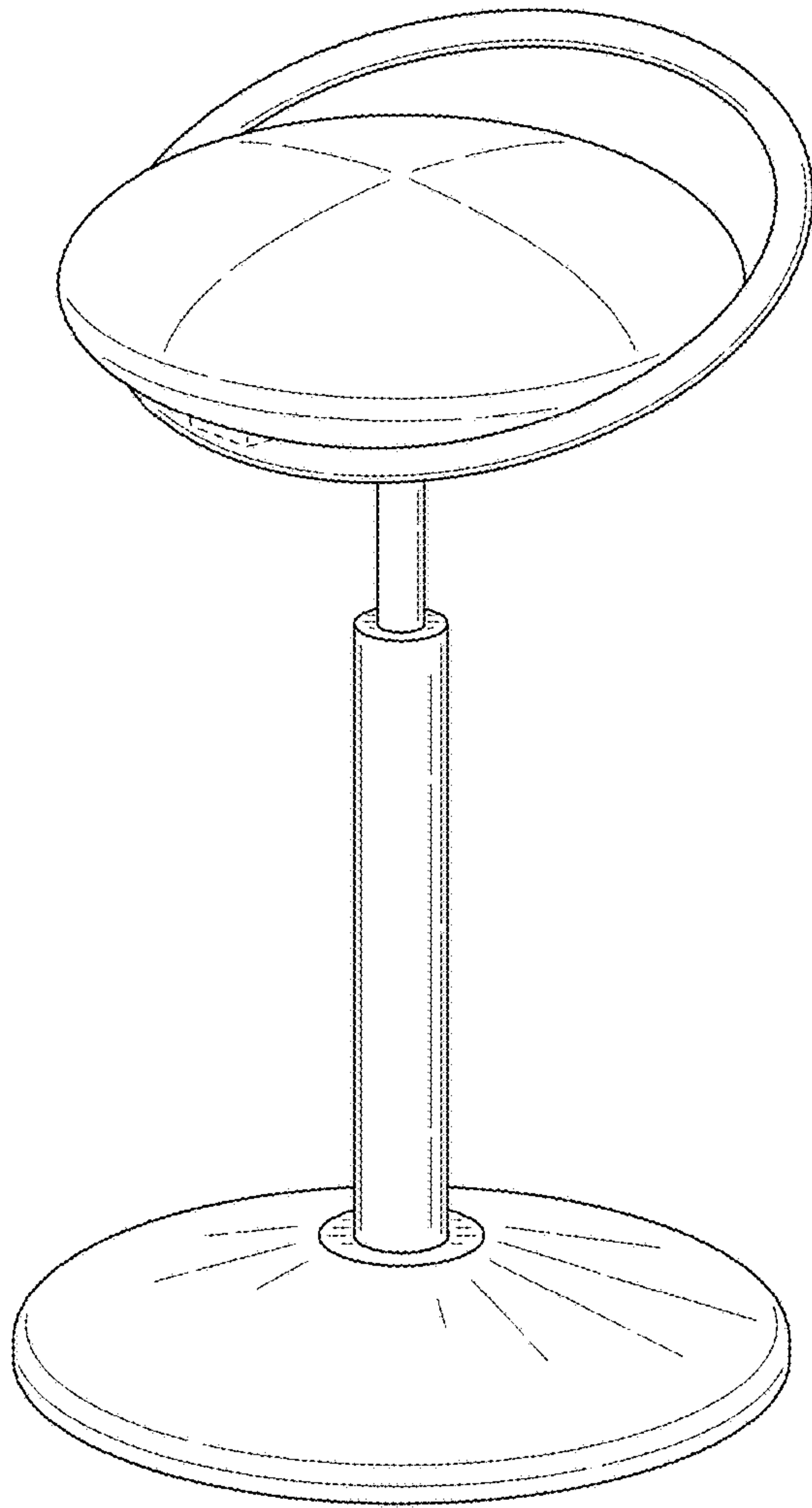


FIG. 1

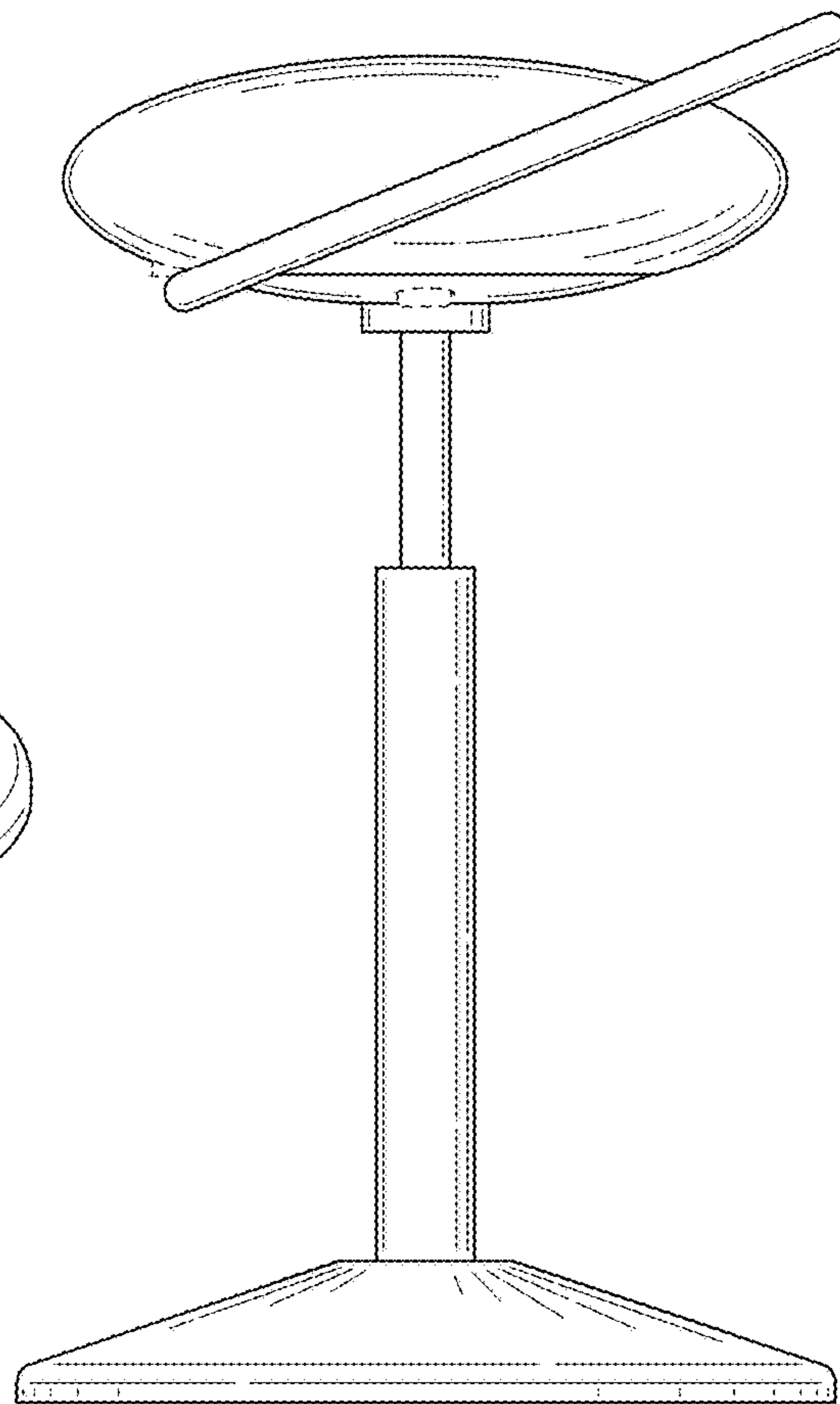


FIG. 2

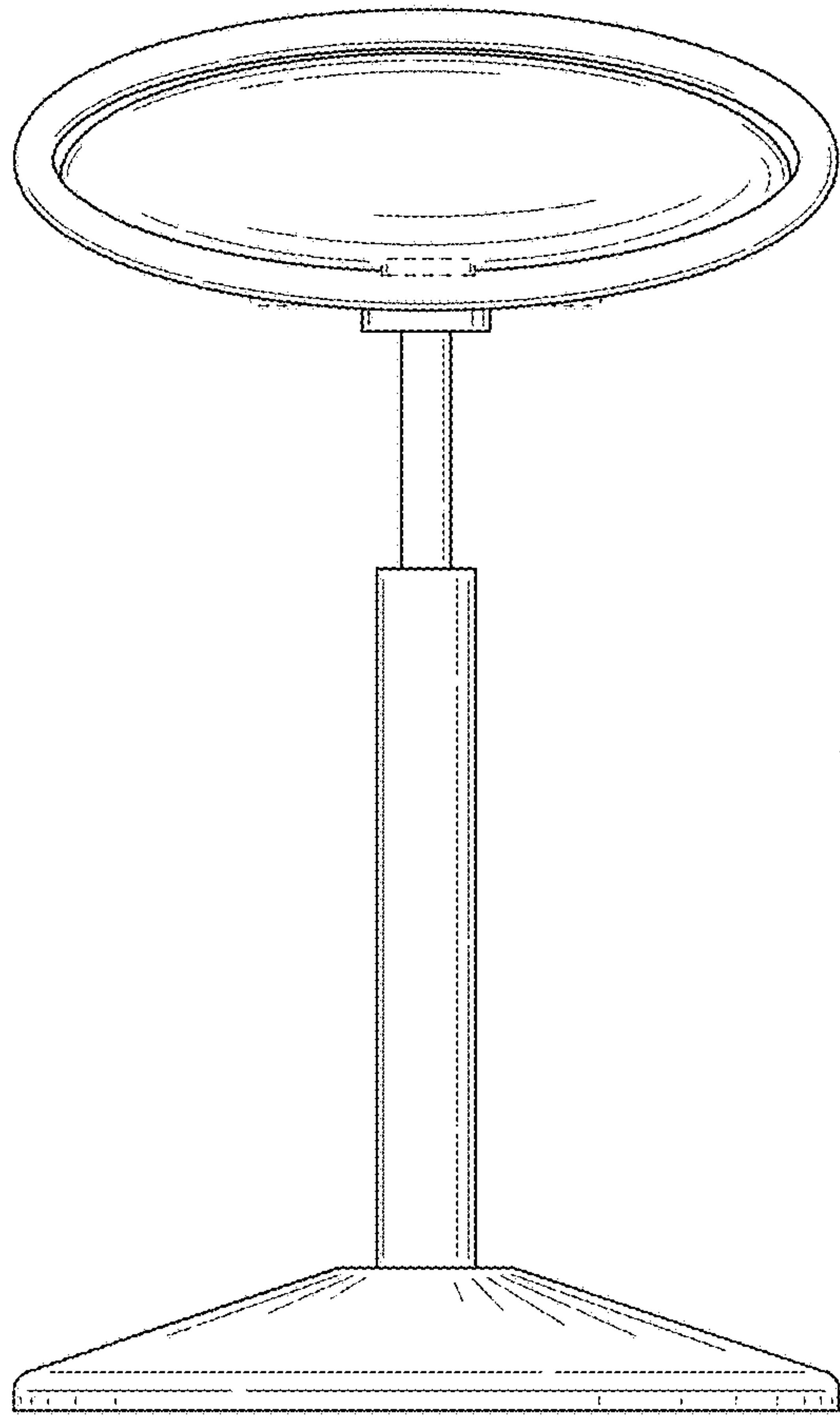


FIG. 3

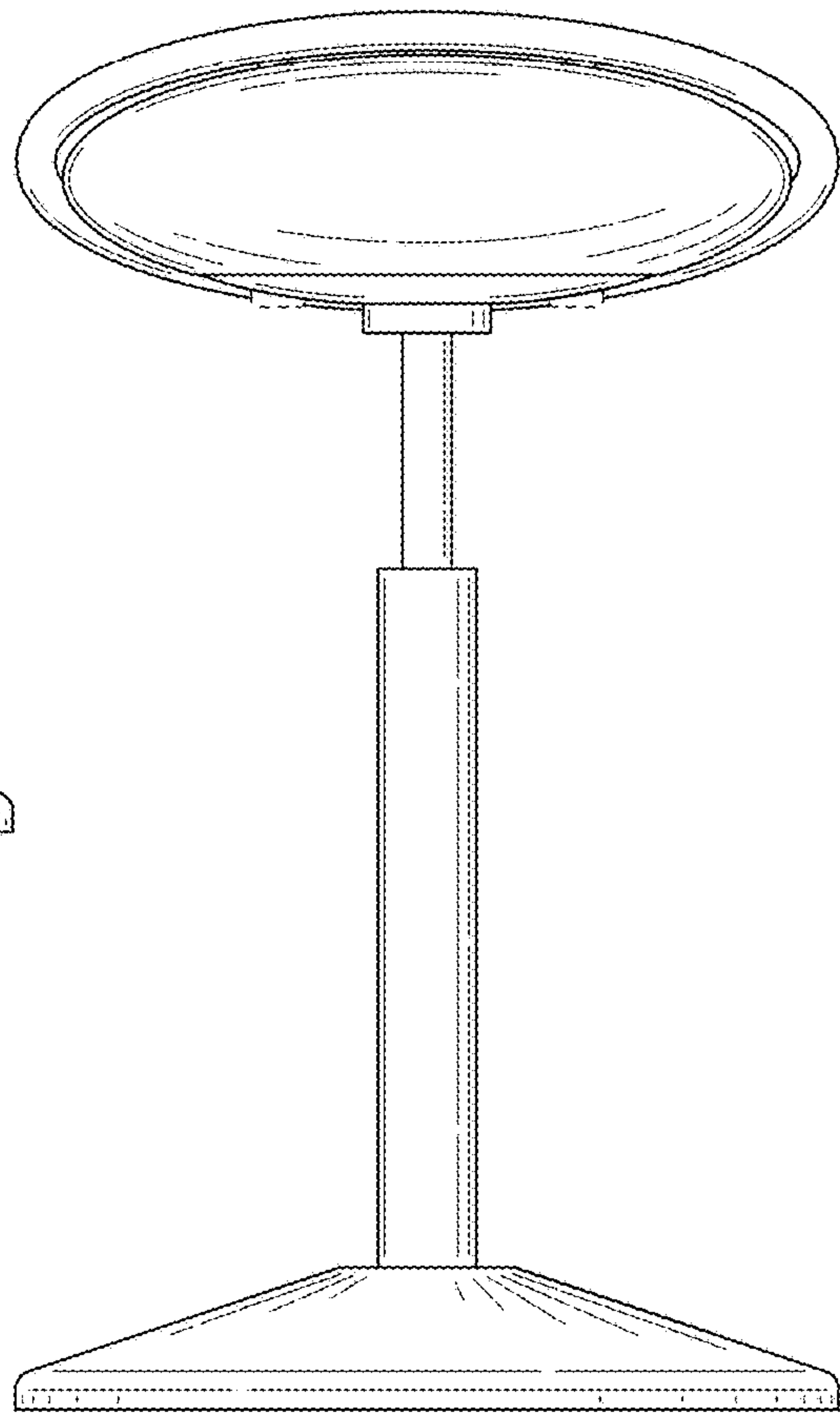


FIG. 4

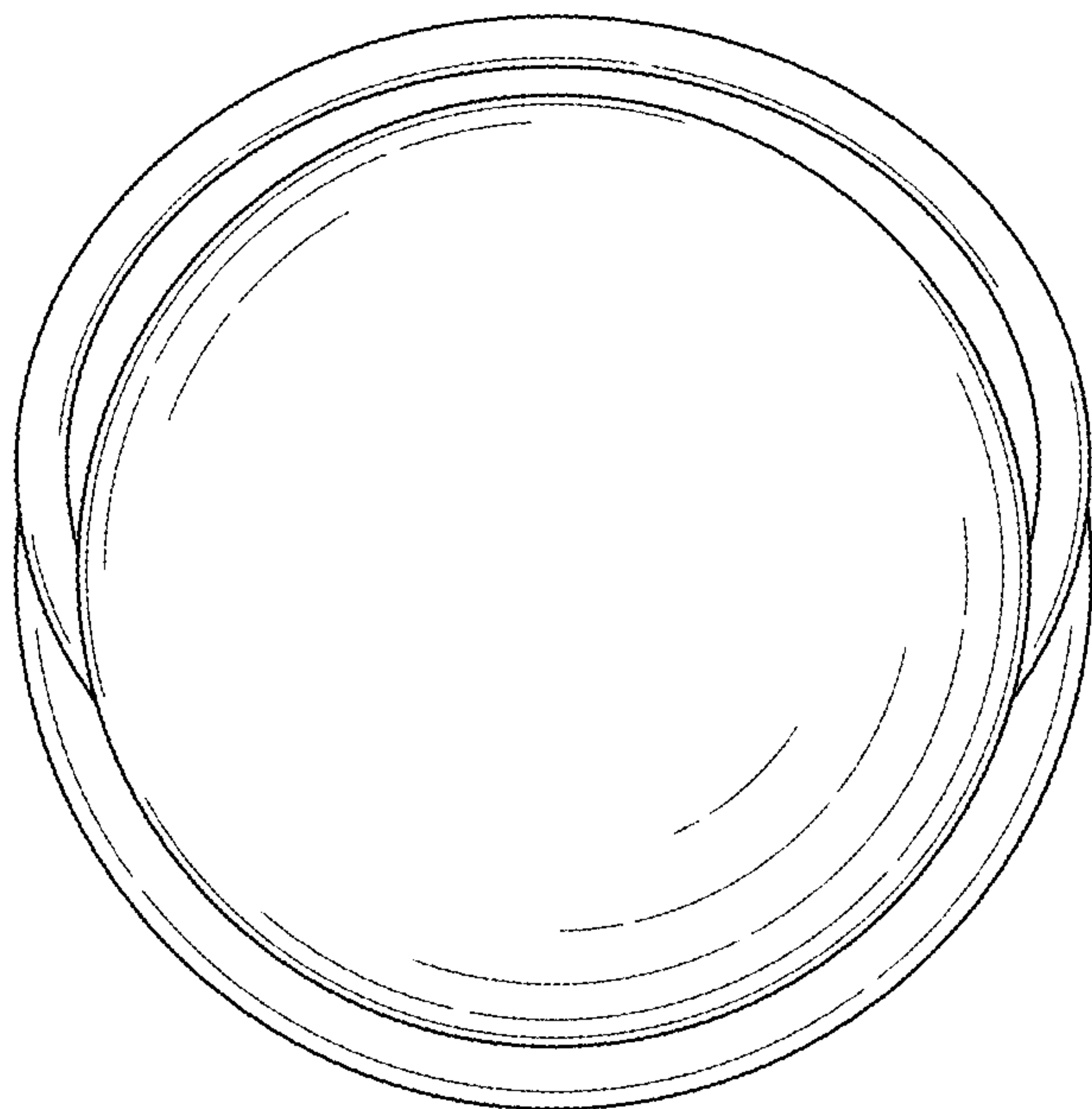


FIG. 5

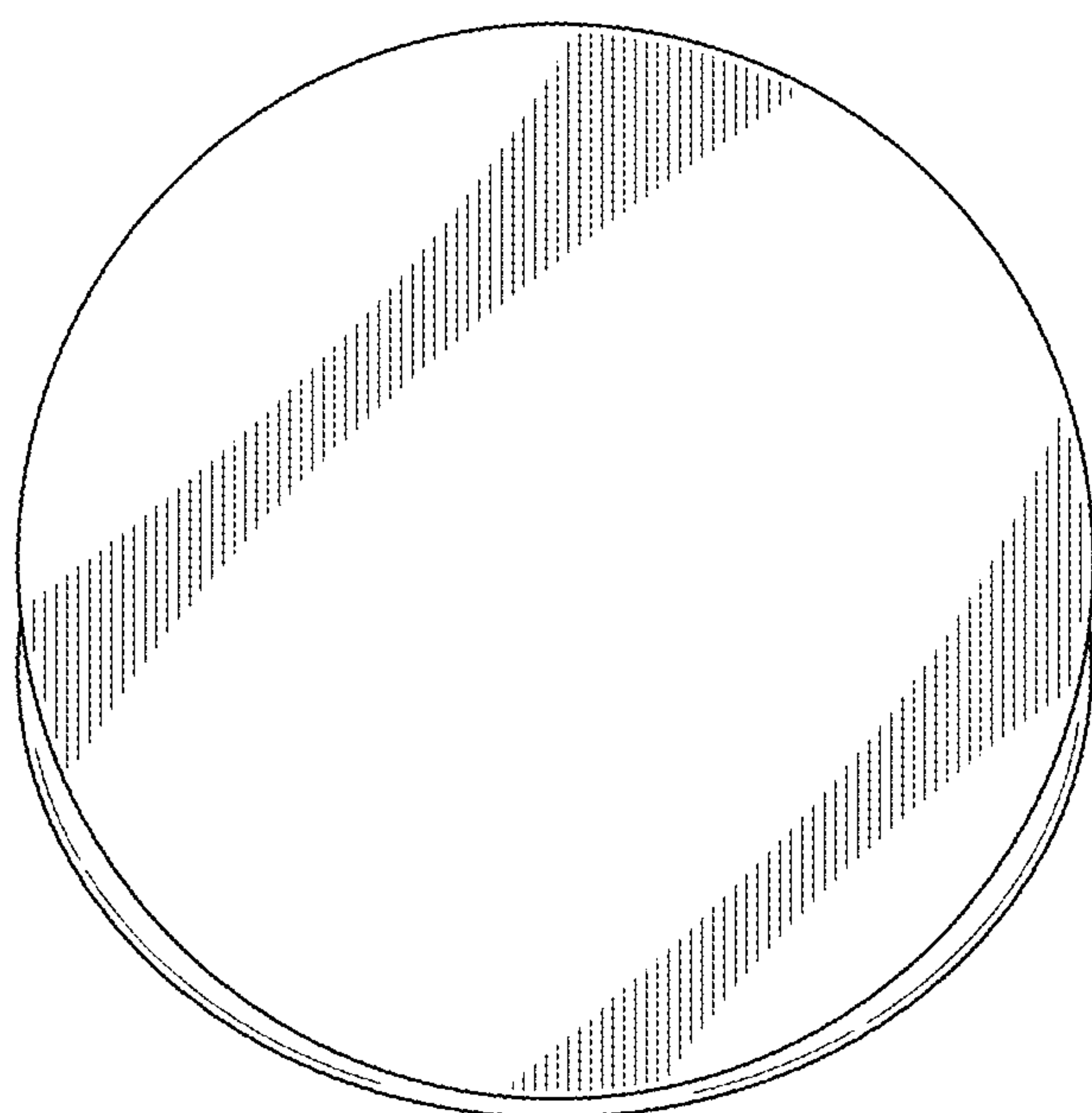


FIG. 6