



US00D837543S

(12) **United States Design Patent**
Risdall et al.

(10) **Patent No.:** **US D837,543 S**

(45) **Date of Patent:** **** Jan. 8, 2019**

(54) **ROCKER STOOL**

(71) Applicant: **Smith System Manufacturing Company Inc.**, Plano, TX (US)

(72) Inventors: **Charles Risdall**, Plano, TX (US);
Michael Risdall, Plano, TX (US);
Charles A Patterson, Durango, CO (US);
Joe Ricchio, Long Beach, CA (US)

(73) Assignee: **Smith System Manufacturing Company Inc.**, Addison, TX (US)

(**) Term: **15 Years**

(21) Appl. No.: **29/592,730**

(22) Filed: **Feb. 1, 2017**

(51) **LOC (11) Cl.** **06-01**

(52) **U.S. Cl.**
USPC **D6/344**; D6/348; D6/349

(58) **Field of Classification Search**
USPC D6/344-349, 709, 709.22, 709.2, 716,
D6/708, 708.2, 716.8, 378, 355, 368, 352
(Continued)

(56) **References Cited**

U.S. PATENT DOCUMENTS

2,560,785 A 7/1951 Wilson
D185,771 S * 7/1959 Mills D21/412
(Continued)

FOREIGN PATENT DOCUMENTS

EP 1334675 8/2003
EP 1334675 A2 8/2003
(Continued)

Primary Examiner — Deanna L Pratt

(74) *Attorney, Agent, or Firm* — Winthrop & Weinstine, P.A.

(57) **CLAIM**

The ornamental design for a rocker stool, as shown and described.

DESCRIPTION

FIG. 1 is a top perspective view of the first embodiment of the rocker stool;
FIG. 2 is a bottom perspective view of the embodiment of FIG. 1;
FIG. 3 is a side view of the embodiment of FIG. 1;
FIG. 4 is another side view of the embodiment of FIG. 1 as viewed orthogonally from the view of FIG. 3;
FIG. 5 is yet another side view of the embodiment of FIG. 1 opposite the view of FIG. 3;
FIG. 6 is another side view of the embodiment of FIG. 1 opposite the view of FIG. 4;
FIG. 7 is a top view of the embodiment of FIG. 1;
FIG. 8 is a bottom view of the embodiment of FIG. 1;
FIG. 9 is a top perspective view of the pedestal of the rocker stool of FIG. 1, shown separately for clarity of illustration;
FIG. 10 is a bottom perspective view of the pedestal of FIG. 9;
FIG. 11 is a side view of the pedestal of FIG. 9;
FIG. 12 is another side view of the pedestal of FIG. 9 as viewed orthogonally from the view of FIG. 11;
FIG. 13 is yet another side view of the pedestal of FIG. 9 that is opposite the view of FIG. 11;
FIG. 14 is another side view of the pedestal of FIG. 9 that is opposite the view of FIG. 12;
FIG. 15 is a top view of the pedestal of FIG. 9;
FIG. 16 is a bottom view of the pedestal of FIG. 9;
FIG. 17 is a top perspective view of the reversible base of the rocker stool of FIG. 1, shown separately for clarity of illustration;
FIG. 18 is a bottom perspective view of the reversible base of FIG. 17;
FIG. 19 is a side view of the reversible base of FIG. 17;
FIG. 20 is another side view of the reversible base of FIG. 17 as viewed orthogonally from the view of FIG. 19;
FIG. 21 is yet another side view of the reversible base of FIG. 17 that is opposite the view of FIG. 19;
FIG. 22 is another side view of the reversible base of FIG. 17 that is opposite the view of FIG. 20;

(Continued)

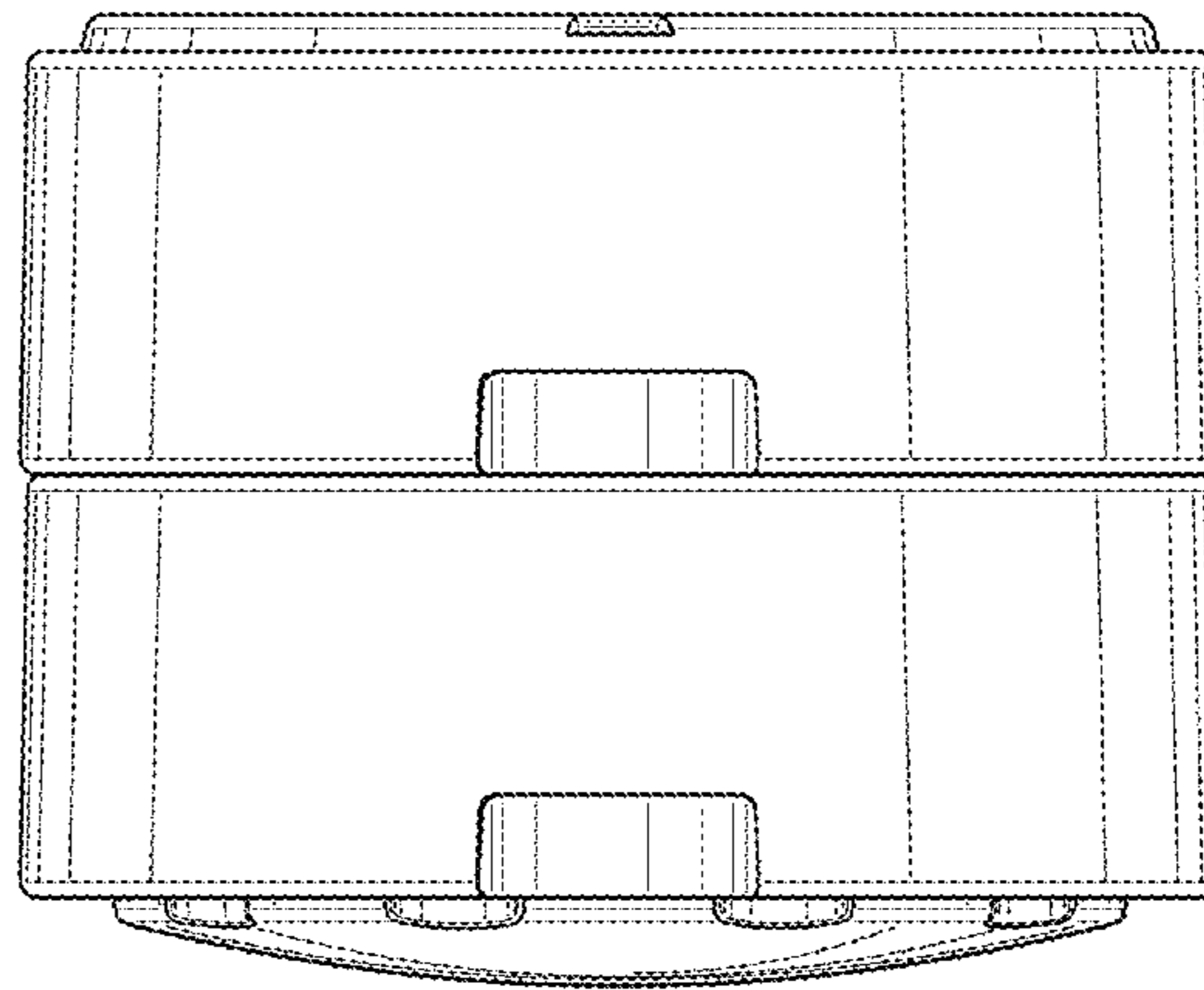
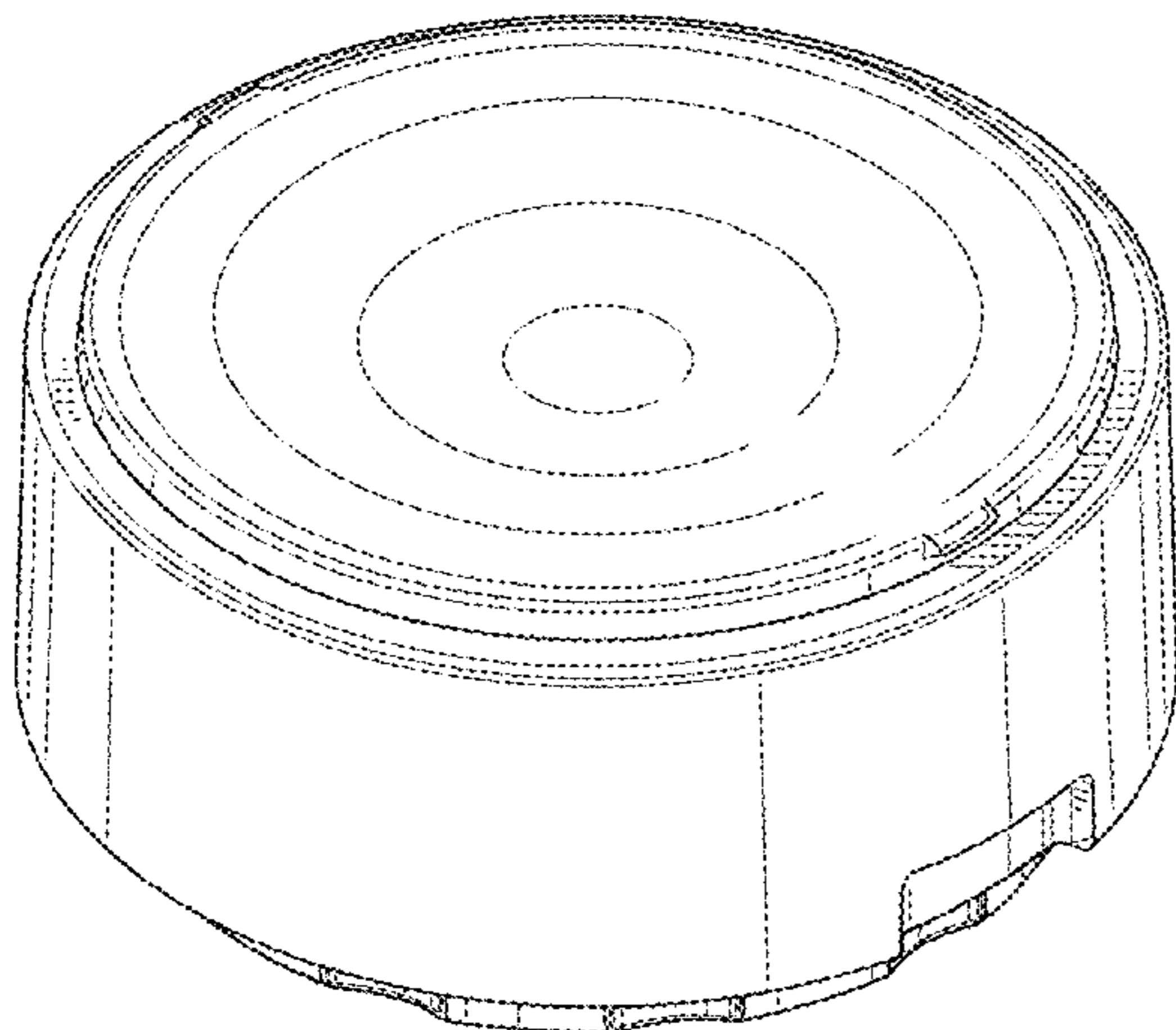


FIG. 23 is a top view of the reversible base of FIG. 17;
 FIG. 24 is a bottom view of the reversible base of FIG. 17
 FIG. 25 is a bottom perspective view of a pair of rocker stools;
 FIG. 26 is a side view of the embodiment of FIG. 25;
 FIG. 27 is another side view of the embodiment of FIG. 25 as viewed orthogonally from the view of FIG. 26;
 FIG. 28 is yet another side view of the embodiment of FIG. 25 opposite the view of FIG. 26;
 FIG. 29 is another side view of the embodiment of FIG. 25 opposite the view of FIG. 27;
 FIG. 30 is a top view of the embodiment of FIG. 25;
 FIG. 31 is a bottom view of the embodiment of FIG. 25;
 FIG. 32 is a bottom perspective view of the embodiment of FIG. 25 with the pedestals separated from each other;
 FIG. 33 is another bottom perspective view of the embodiment of FIG. 1 with the reversible base oriented in a direction opposite that illustrated in FIG. 2; and,
 FIG. 34 is a bottom view of the embodiment of FIG. 33.

1 Claim, 25 Drawing Sheets

(58) **Field of Classification Search**

CPC A47D 13/102; A47C 3/02; A47C 3/029;
 A47C 4/28

See application file for complete search history.

(56) **References Cited**

U.S. PATENT DOCUMENTS

3,558,186 A 1/1971 Shore et al.
 D305,850 S * 2/1990 Peterson D6/334

D355,077 S * 2/1995 Tegner D30/118
 D360,664 S * 7/1995 Stone D21/671
 6,834,916 B2 12/2004 Volkman et al.
 D551,538 S * 9/2007 Pearce D8/354
 D579,237 S * 10/2008 Gusdorf D6/675.2
 7,478,878 B2 1/2009 Oettinger
 D653,864 S * 2/2012 Ou D6/348
 D666,839 S * 9/2012 Johnson D6/349
 D680,784 S * 4/2013 Chang D6/524
 D681,967 S * 5/2013 Schoolmeester D6/349
 D706,071 S * 6/2014 Lanciers D6/719
 8,764,116 B2 7/2014 Weber et al.
 D724,162 S * 3/2015 James A63B 23/1236
 D21/688
 8,998,319 B2 4/2015 Bahneman et al.
 9,010,867 B2 4/2015 Martin et al.
 D728,951 S * 5/2015 Yoshida D6/349
 D731,007 S * 6/2015 Davies, III D21/680
 9,072,384 B2 7/2015 Saint Pierre et al.
 D751,140 S * 3/2016 Ly D16/339
 9,392,872 B2 7/2016 Saint Pierre et al.
 D769,608 S * 10/2016 Wiens D2/978
 D776,081 S * 1/2017 Willman D14/205
 D789,194 S * 6/2017 Cooper D3/302
 D809,310 S * 2/2018 Mathur D6/352
 D818,260 S * 5/2018 Andersen D3/201
 D825,357 S * 8/2018 Ahn D10/70

FOREIGN PATENT DOCUMENTS

JP 10229952 A 2/1998
 JP H10229952 9/1998

* cited by examiner

Fig. 1

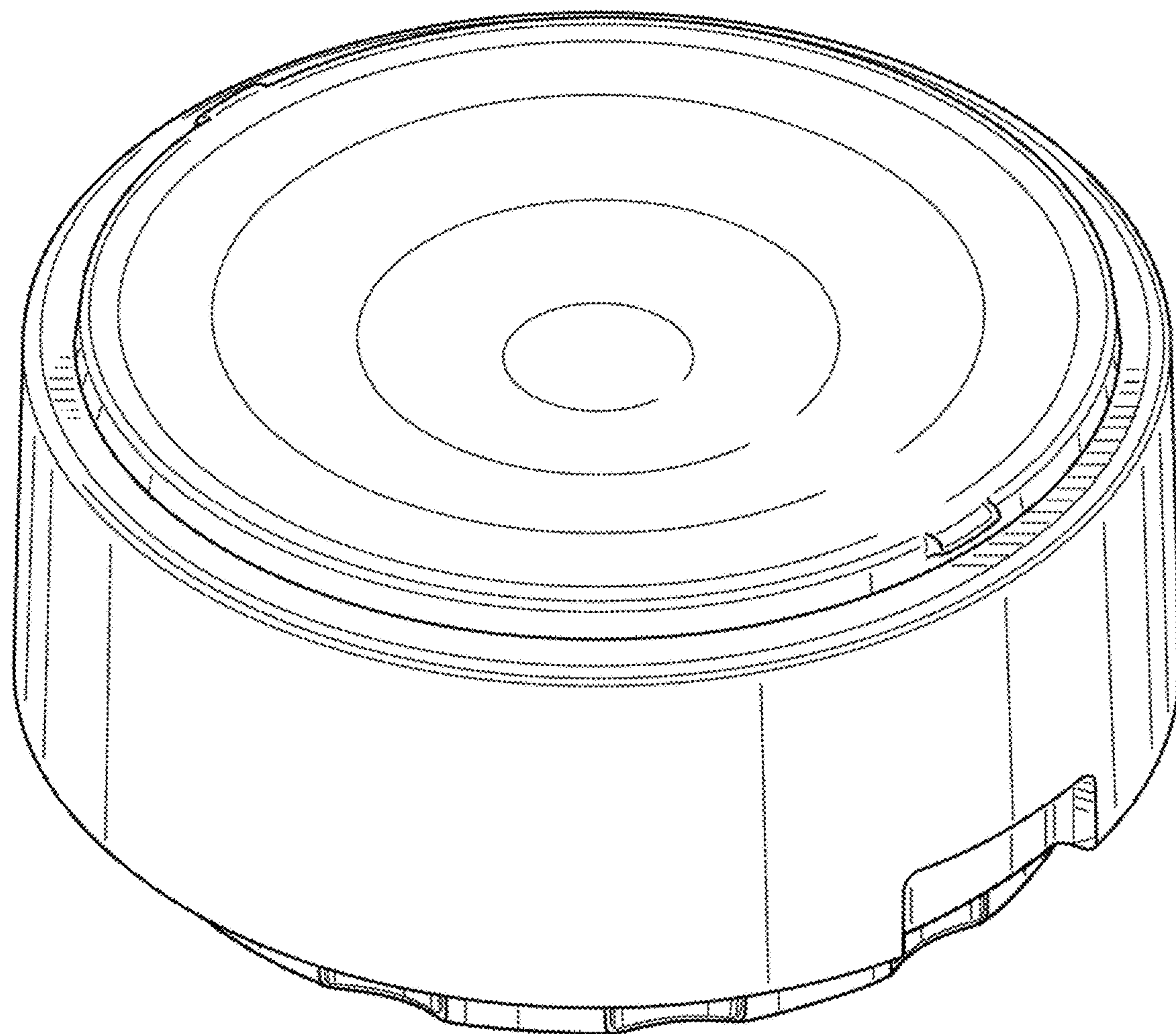


Fig. 2

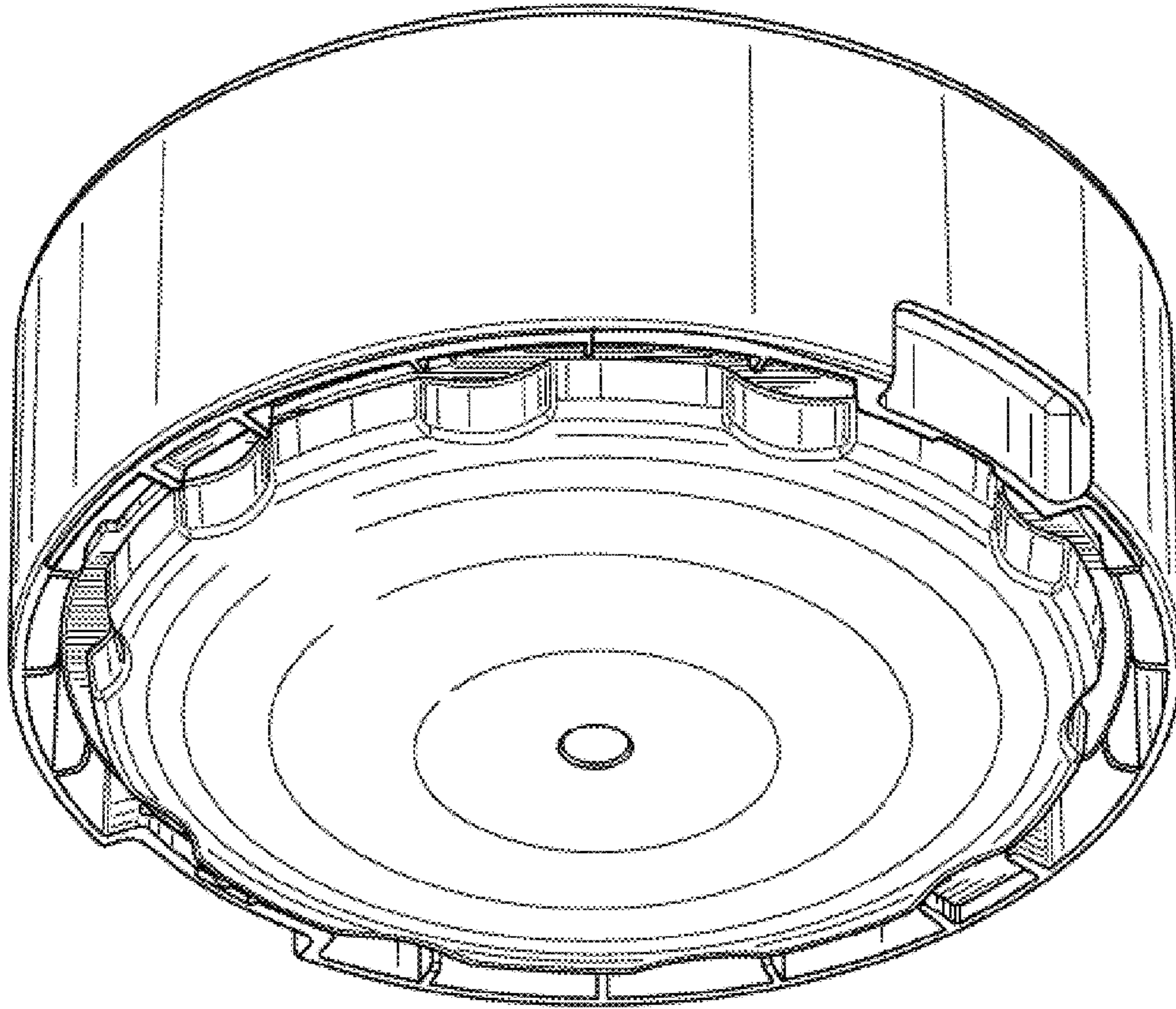


Fig. 3

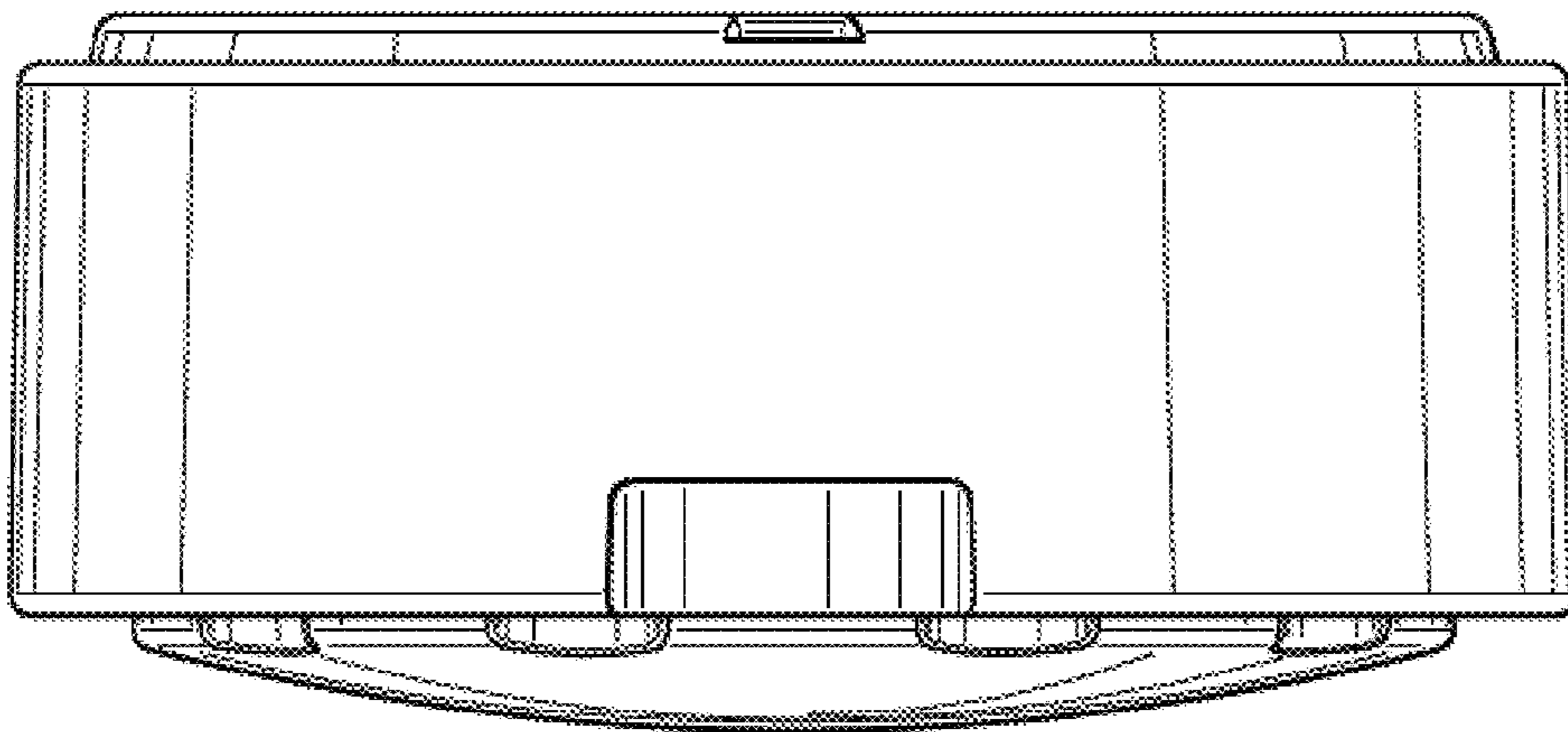


Fig. 4

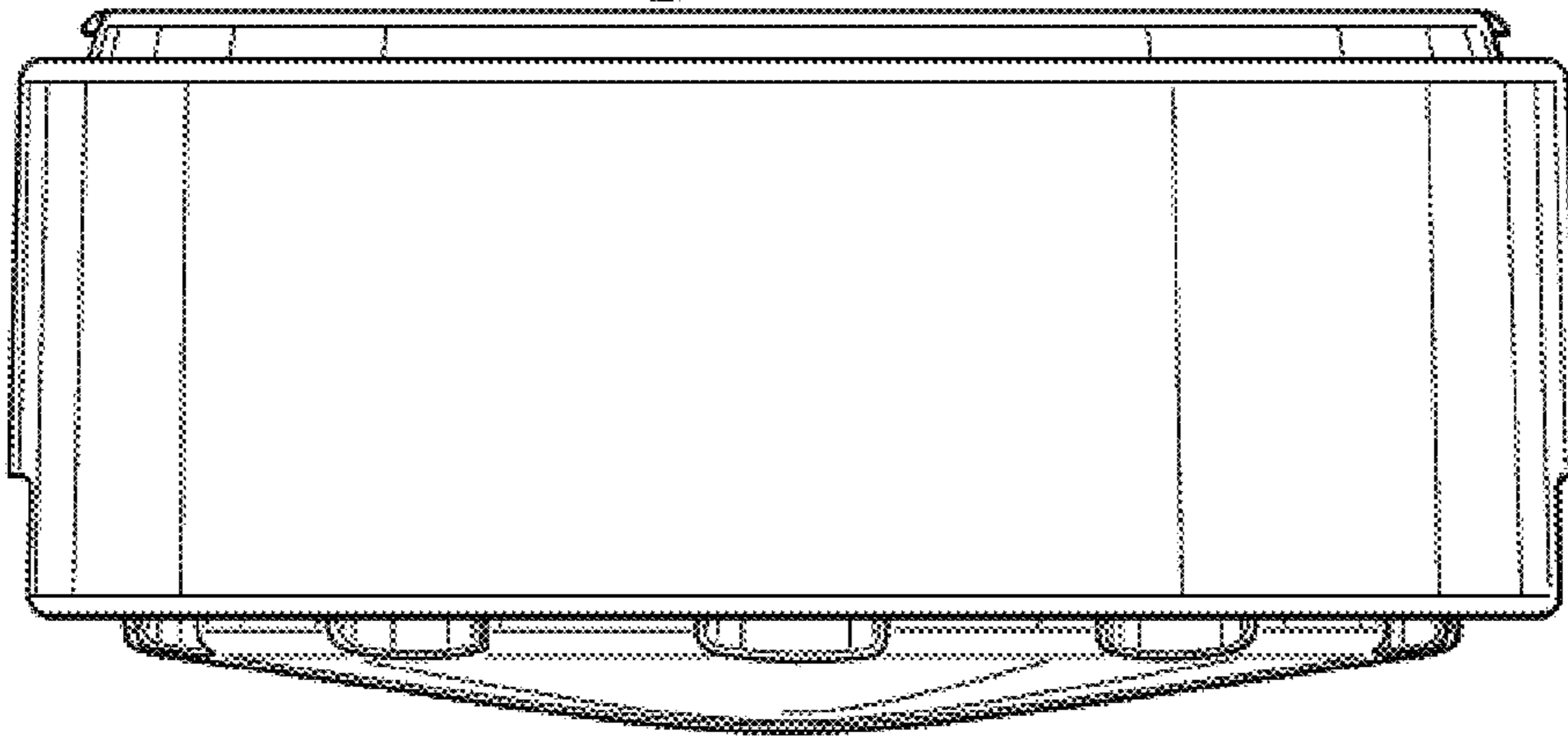


Fig. 5

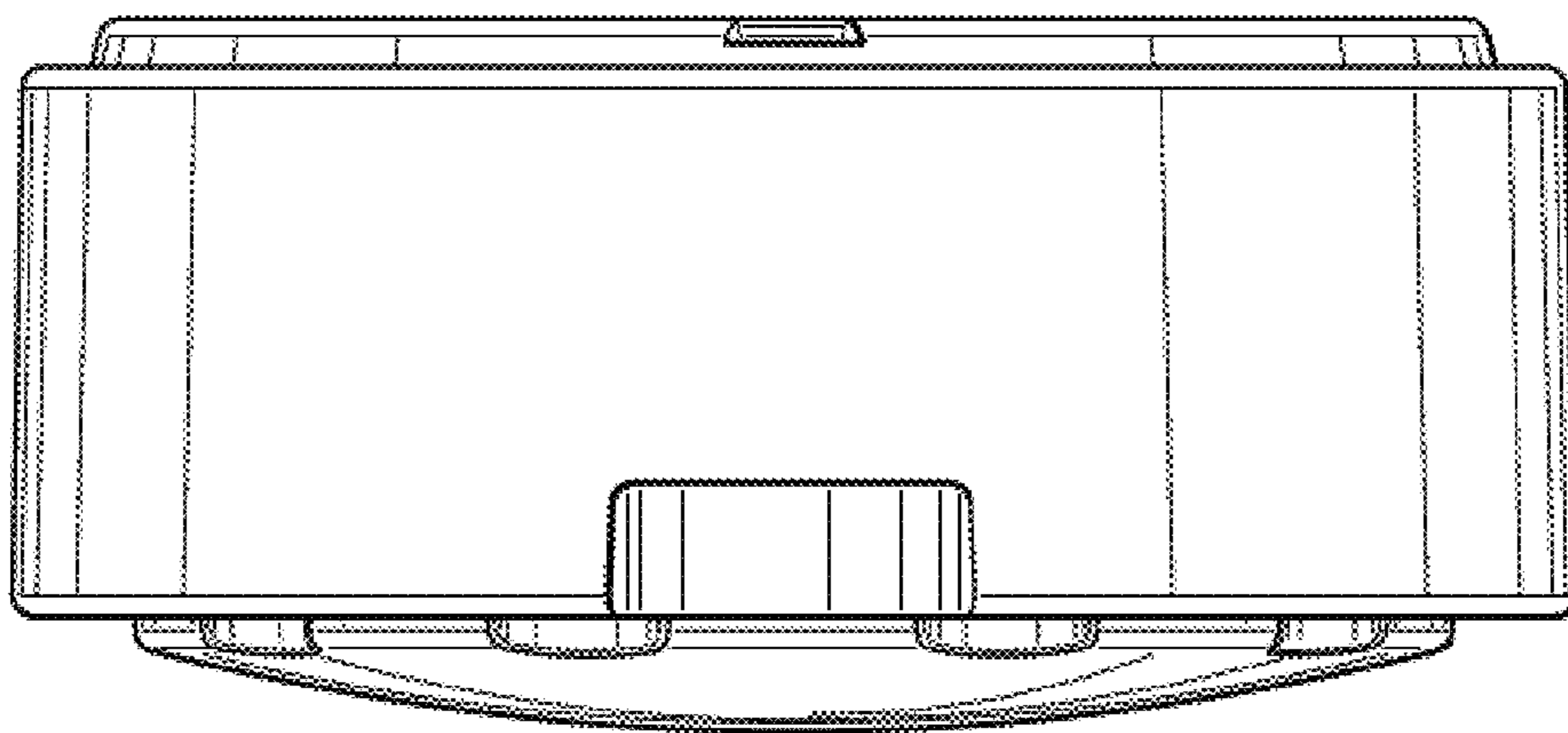


Fig. 6

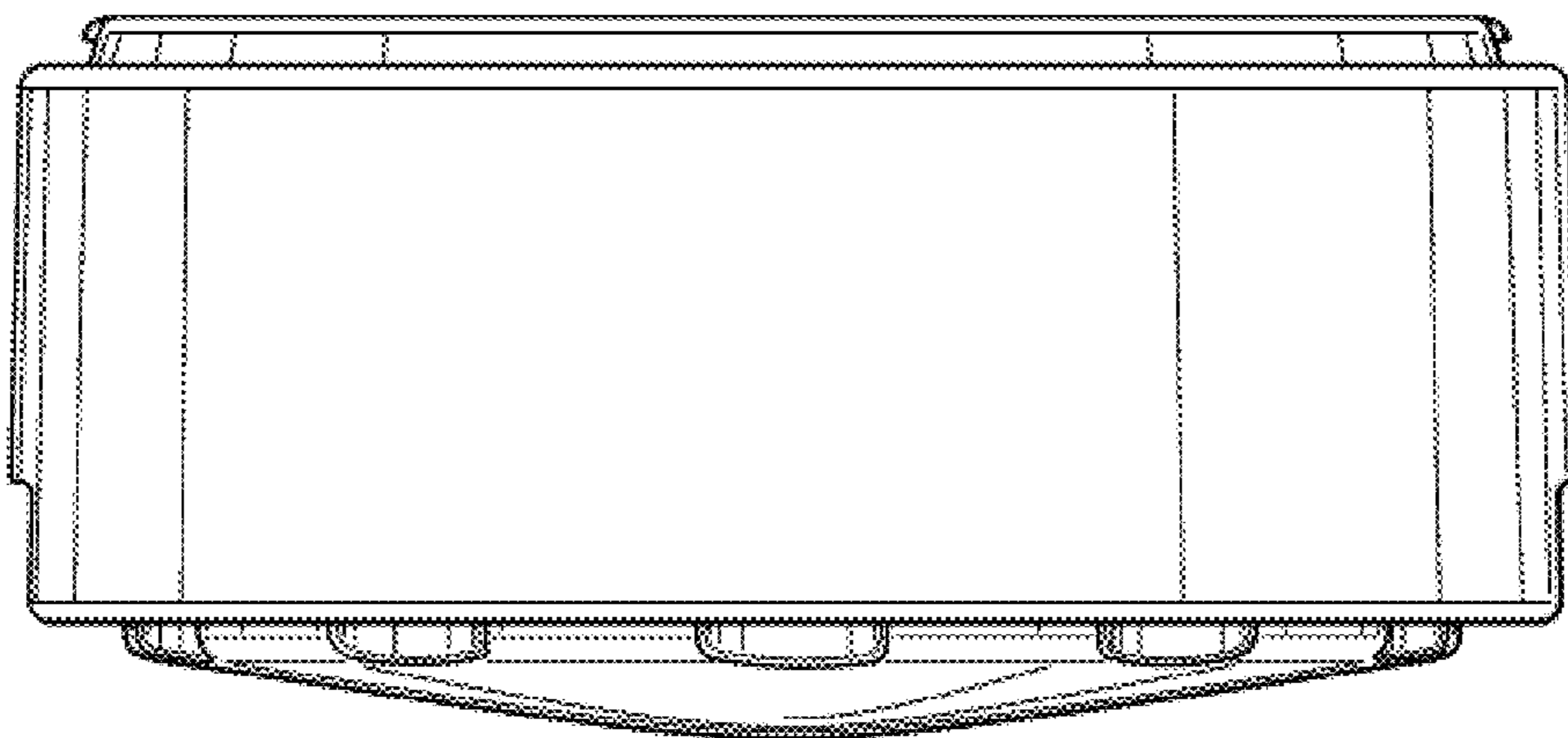


Fig. 7

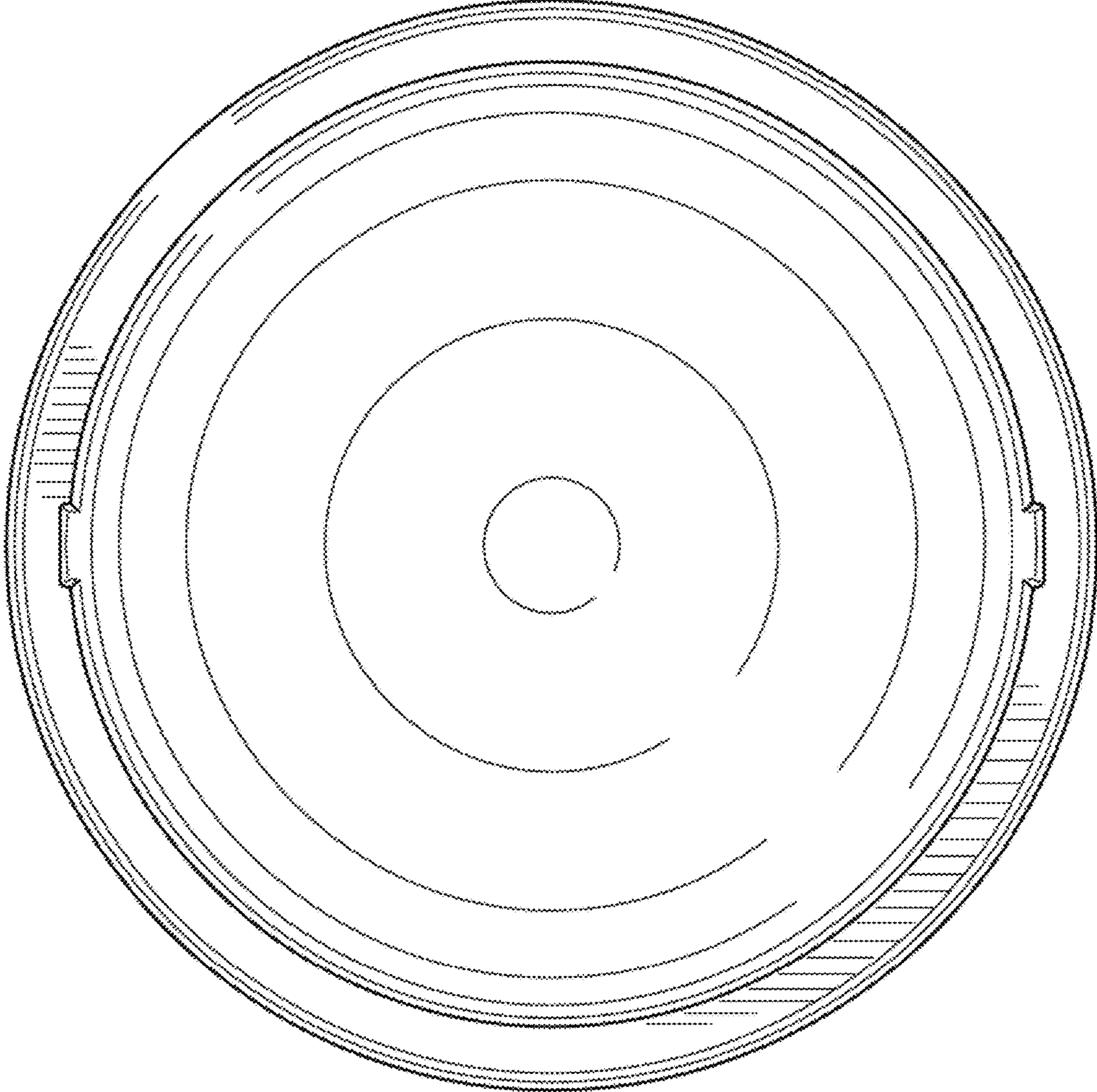


Fig. 8

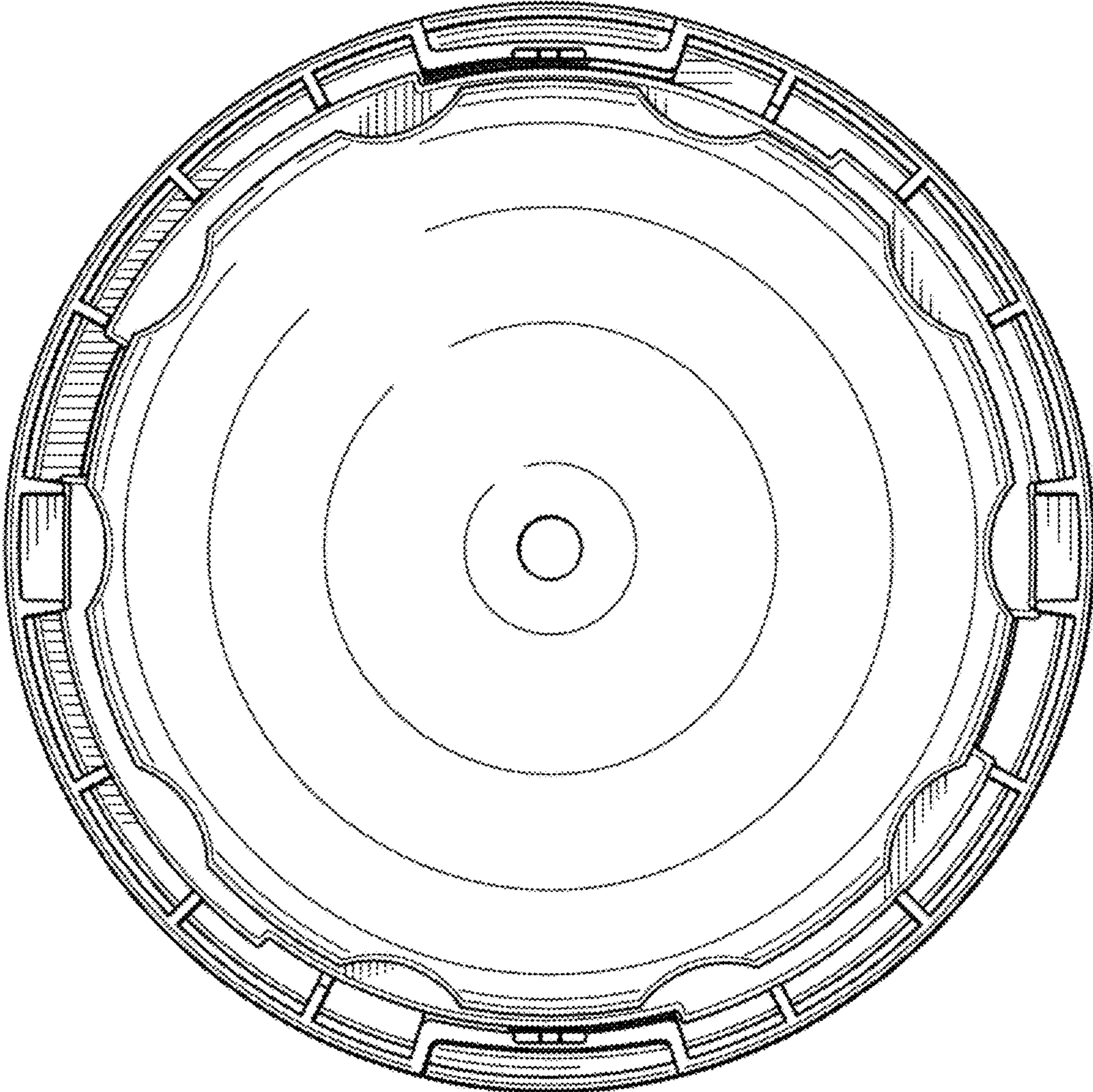


Fig. 9

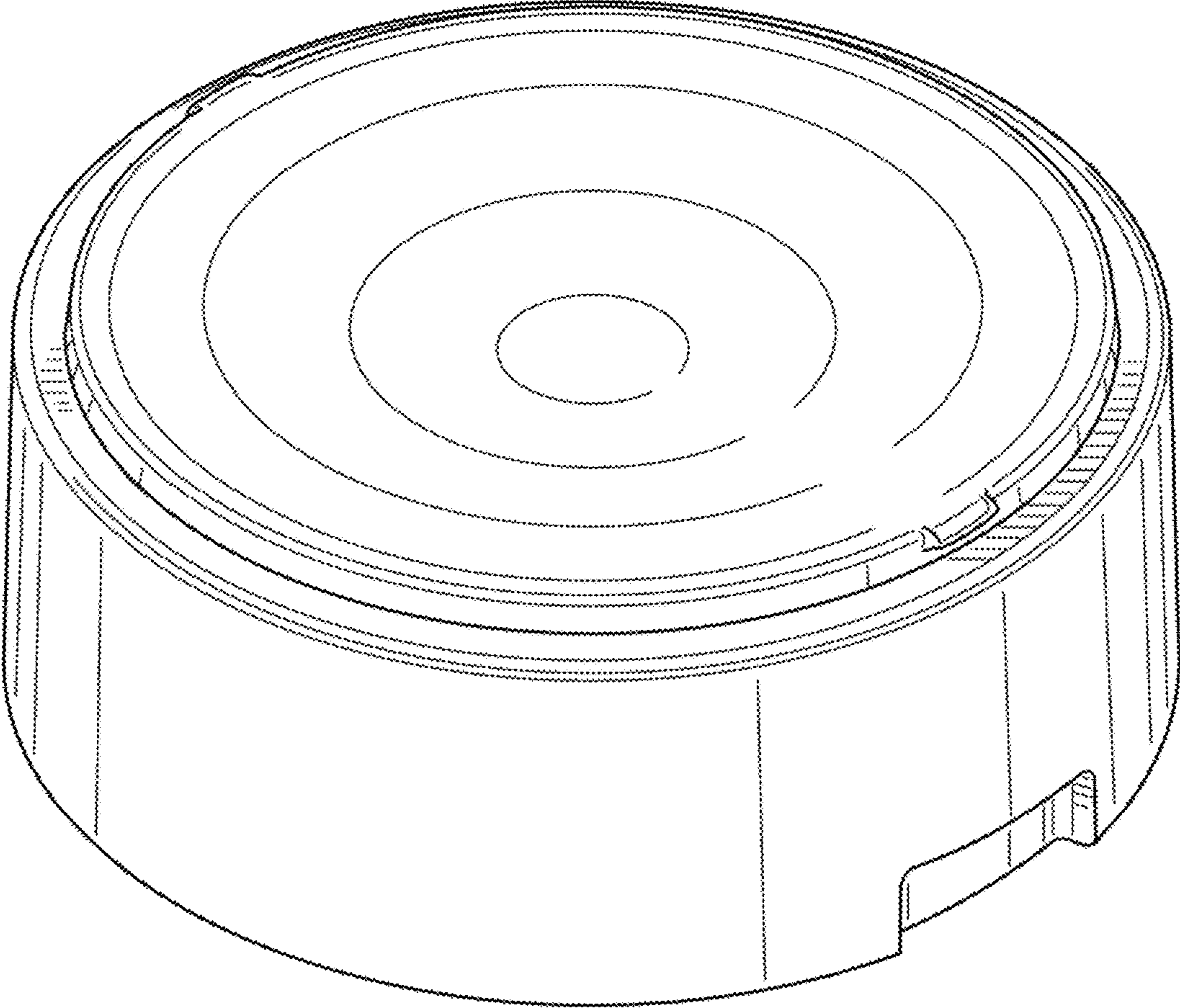


Fig. 10

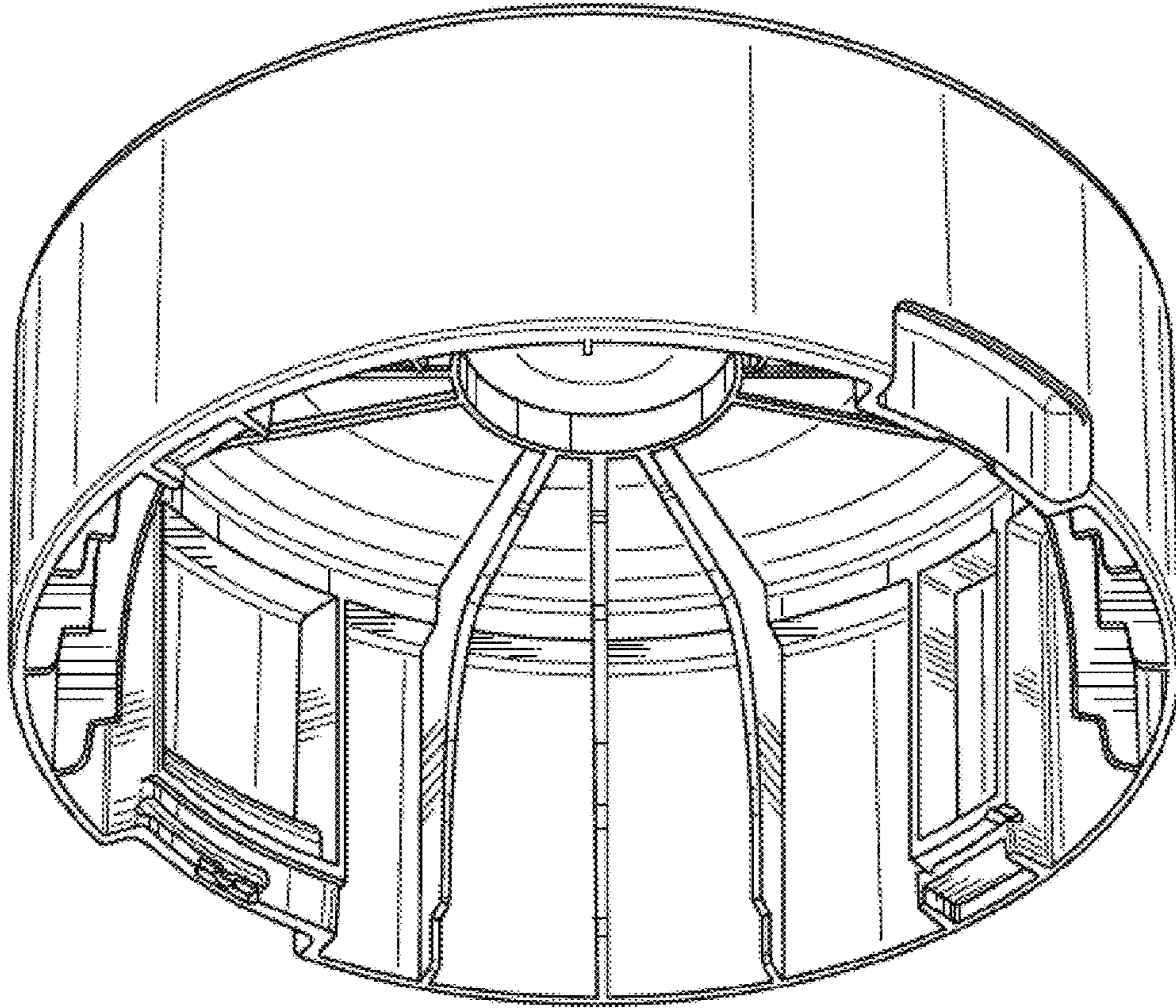


Fig. 11

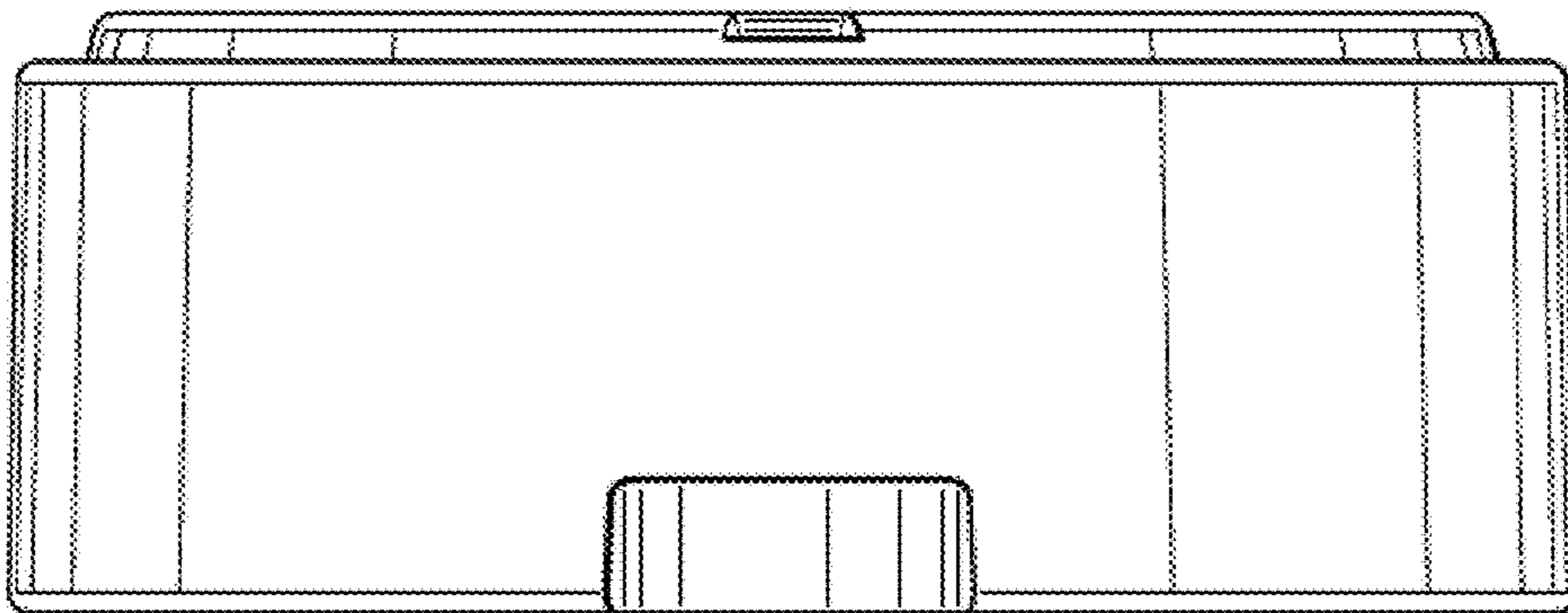


Fig. 12

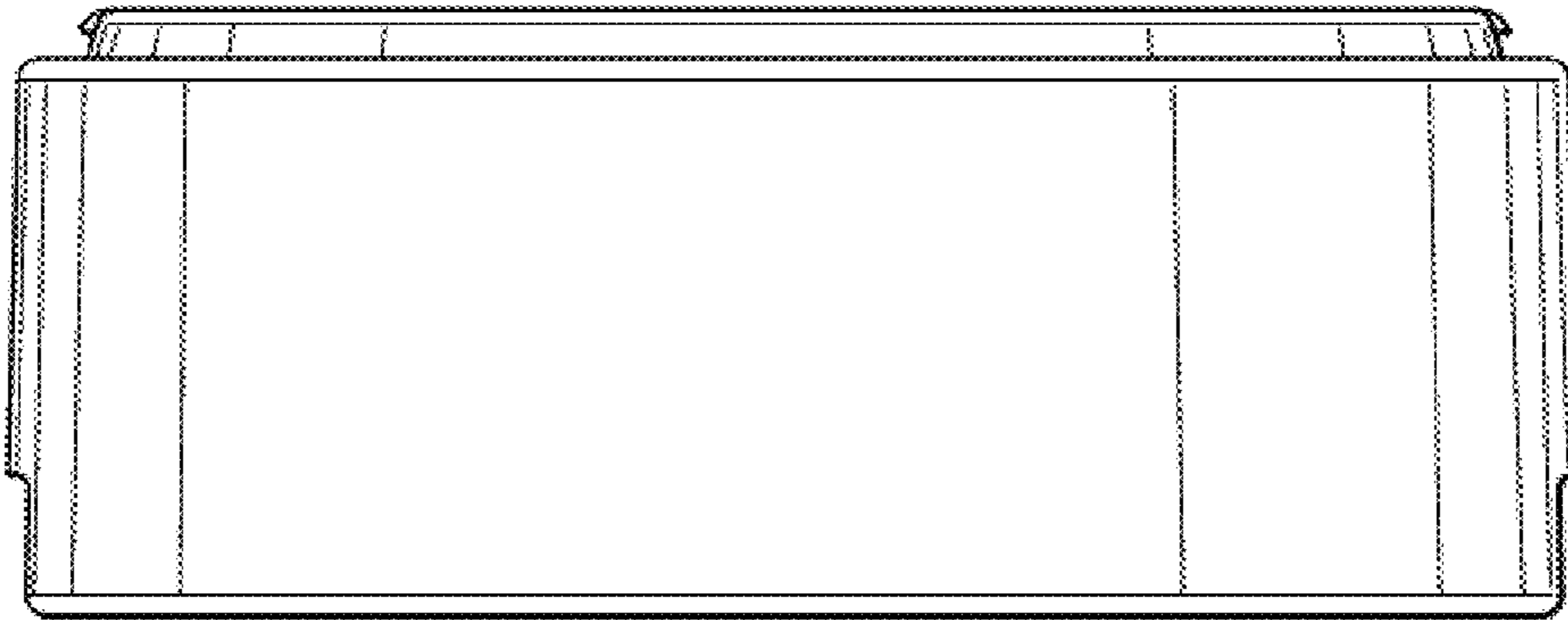


Fig. 13

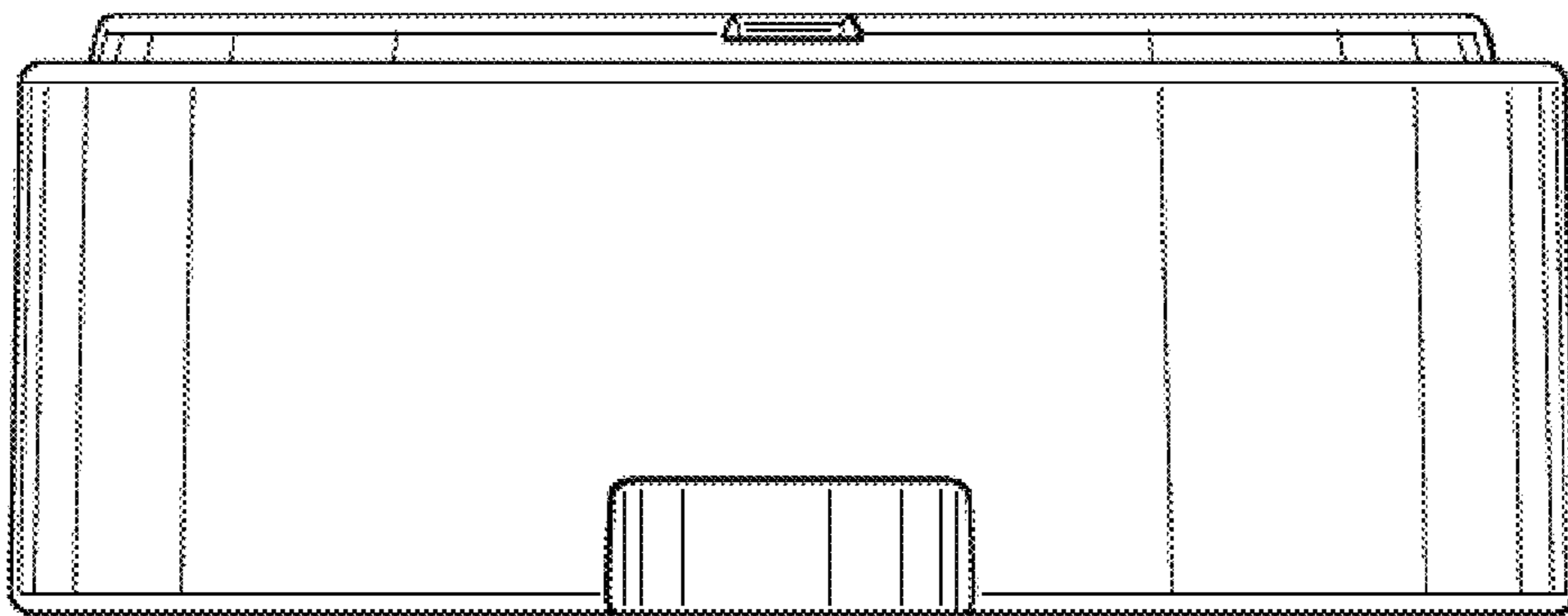


Fig. 14

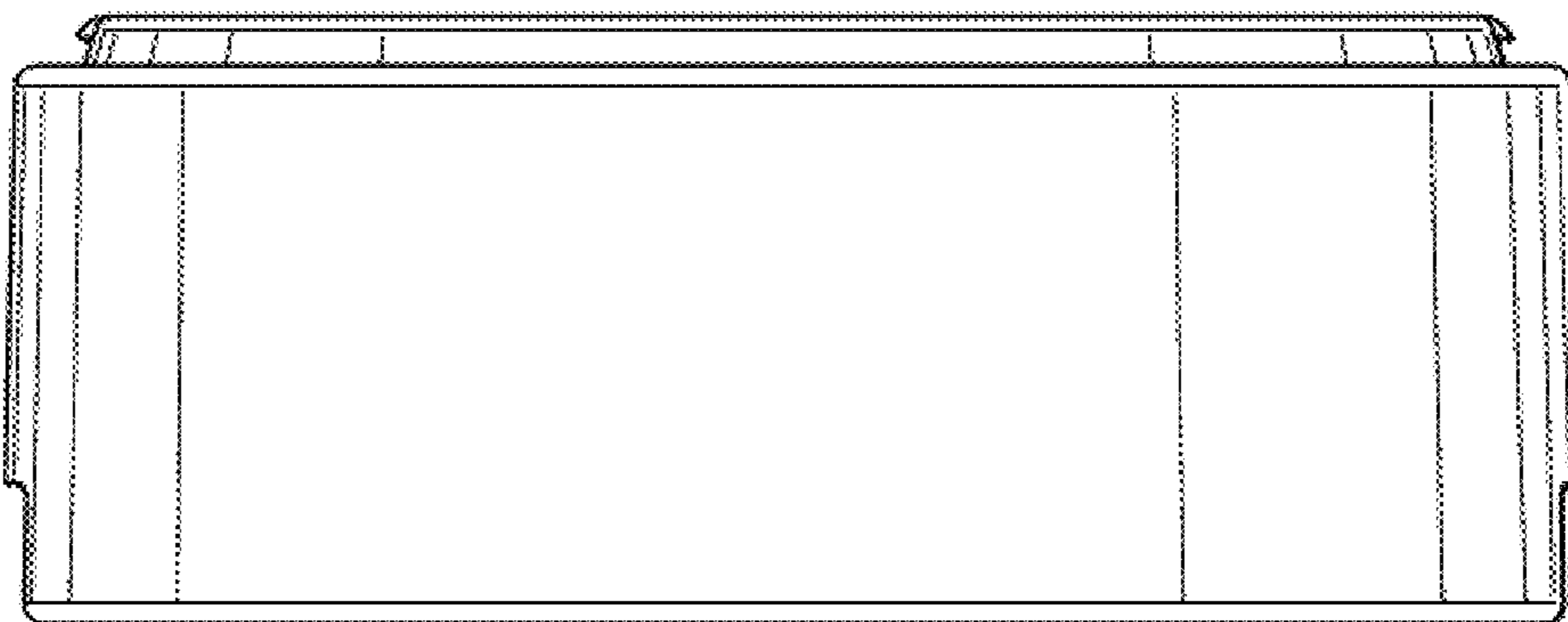


Fig. 15

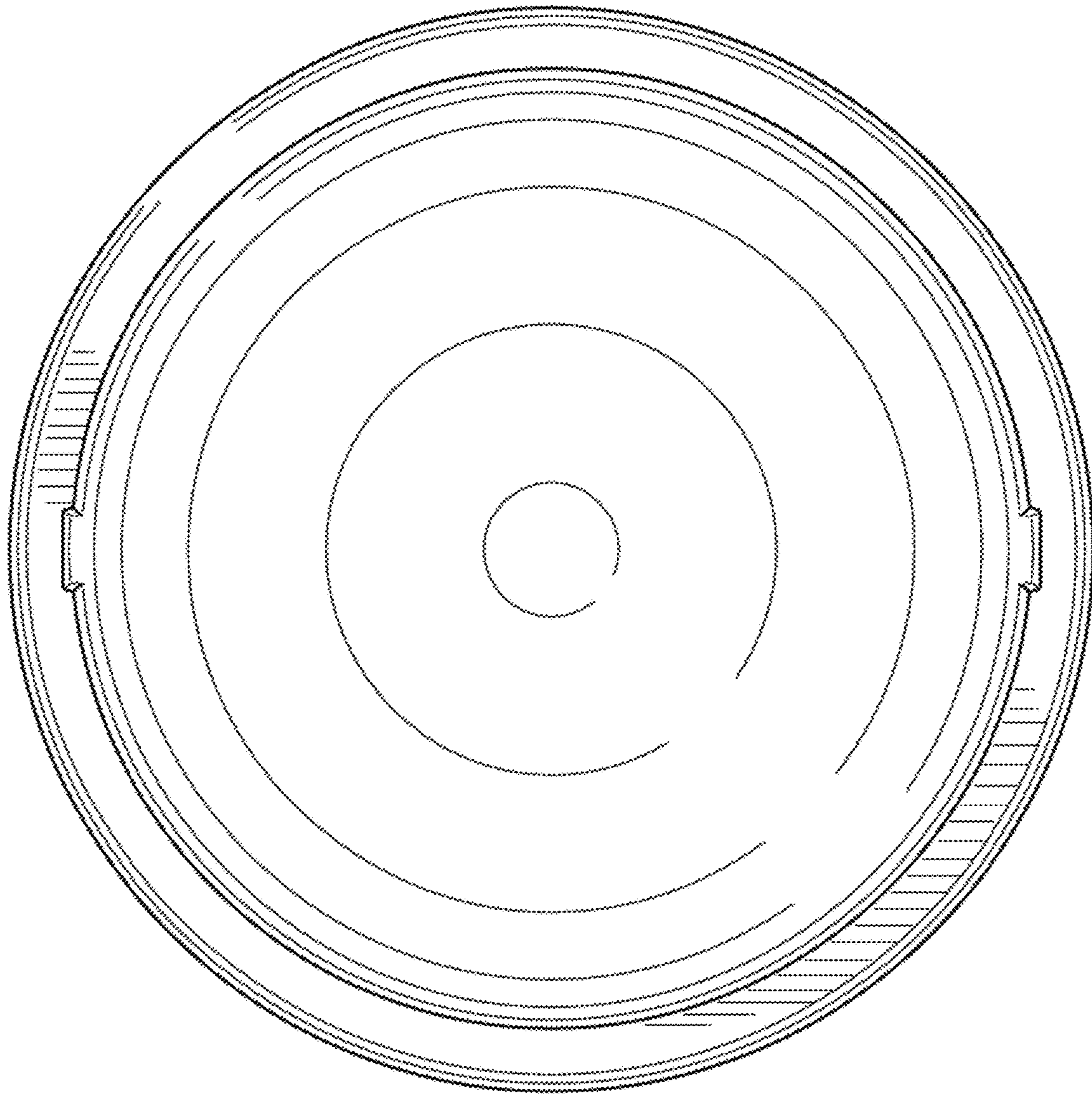


Fig. 16

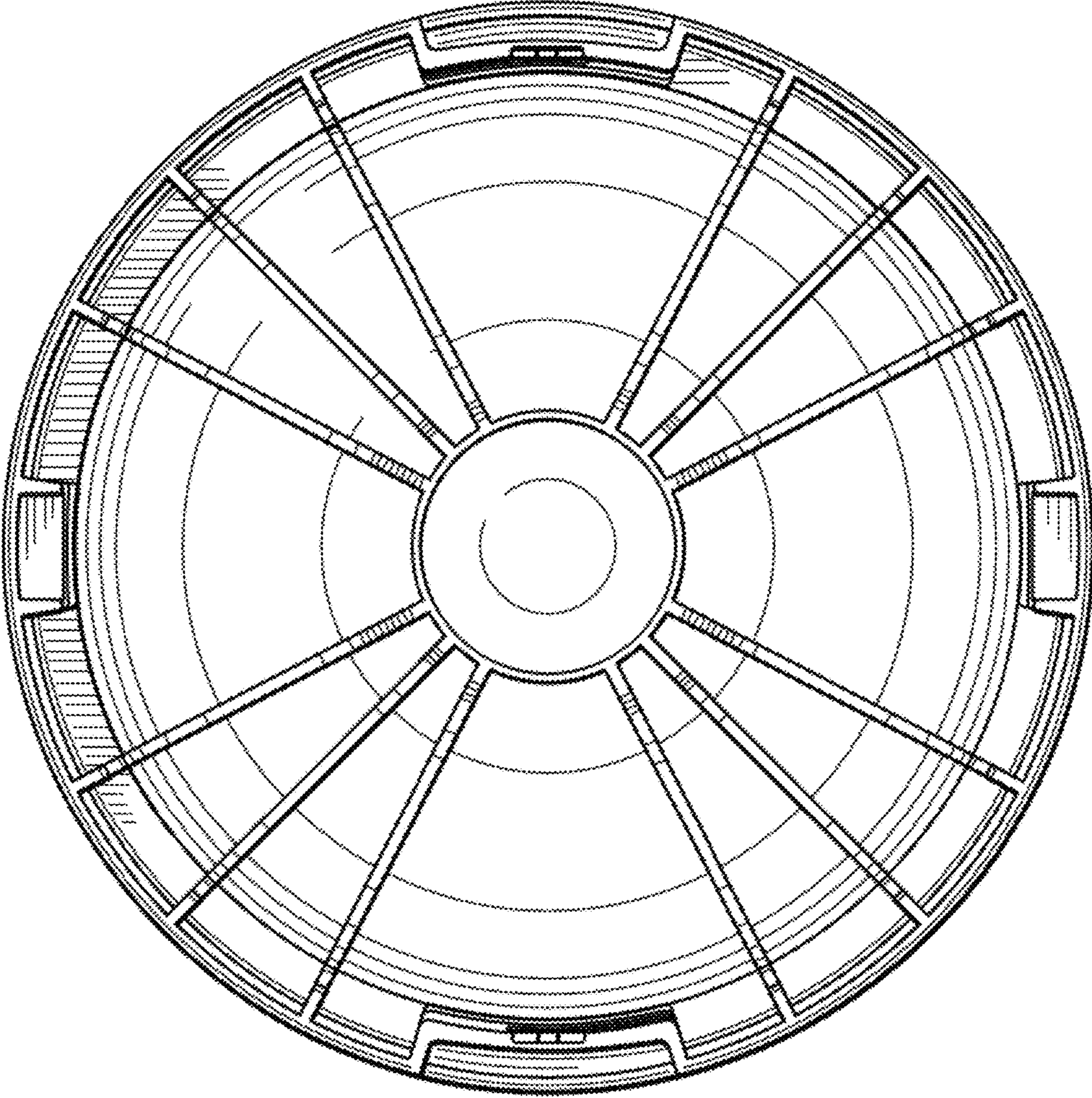


Fig. 17

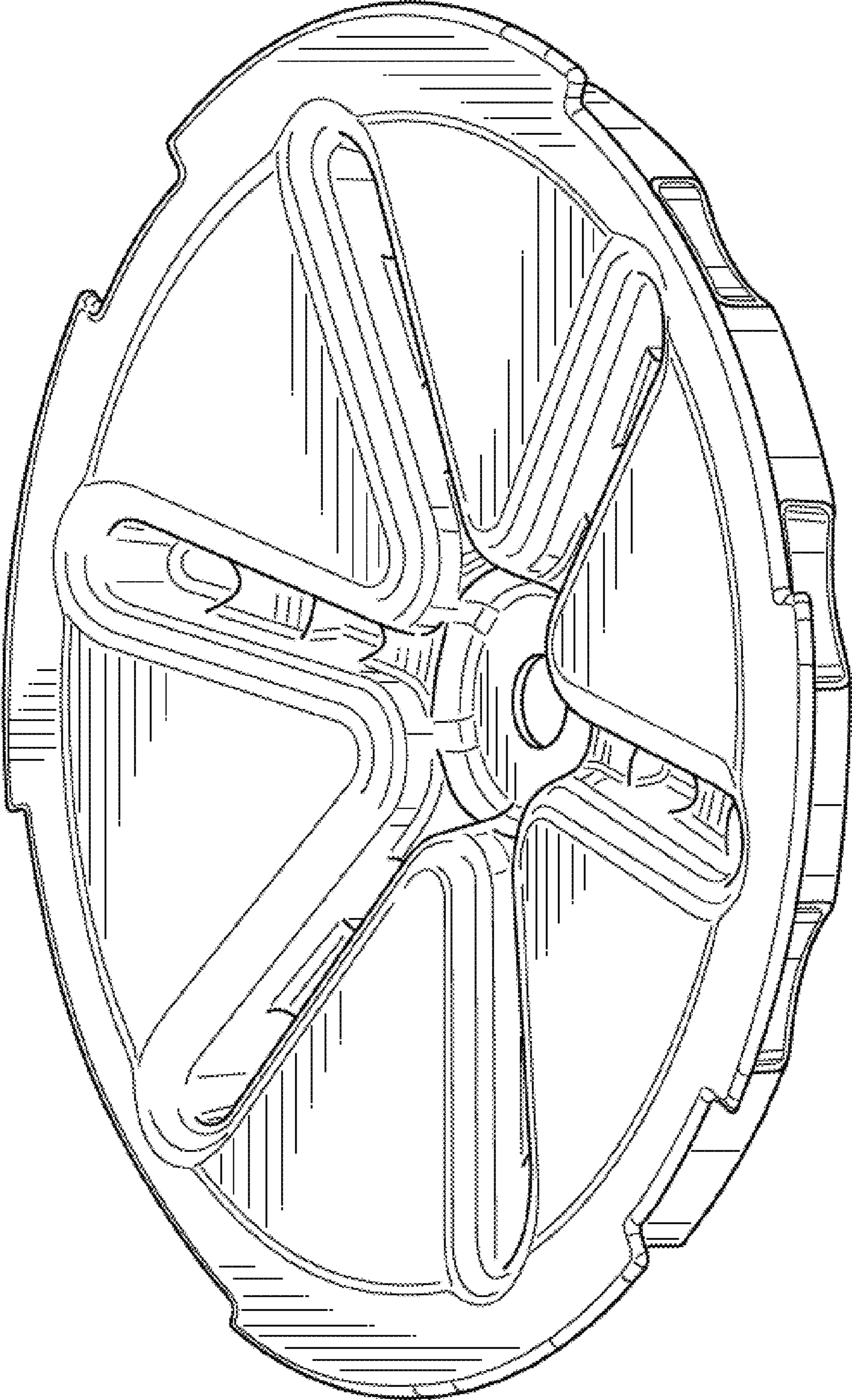


Fig. 18

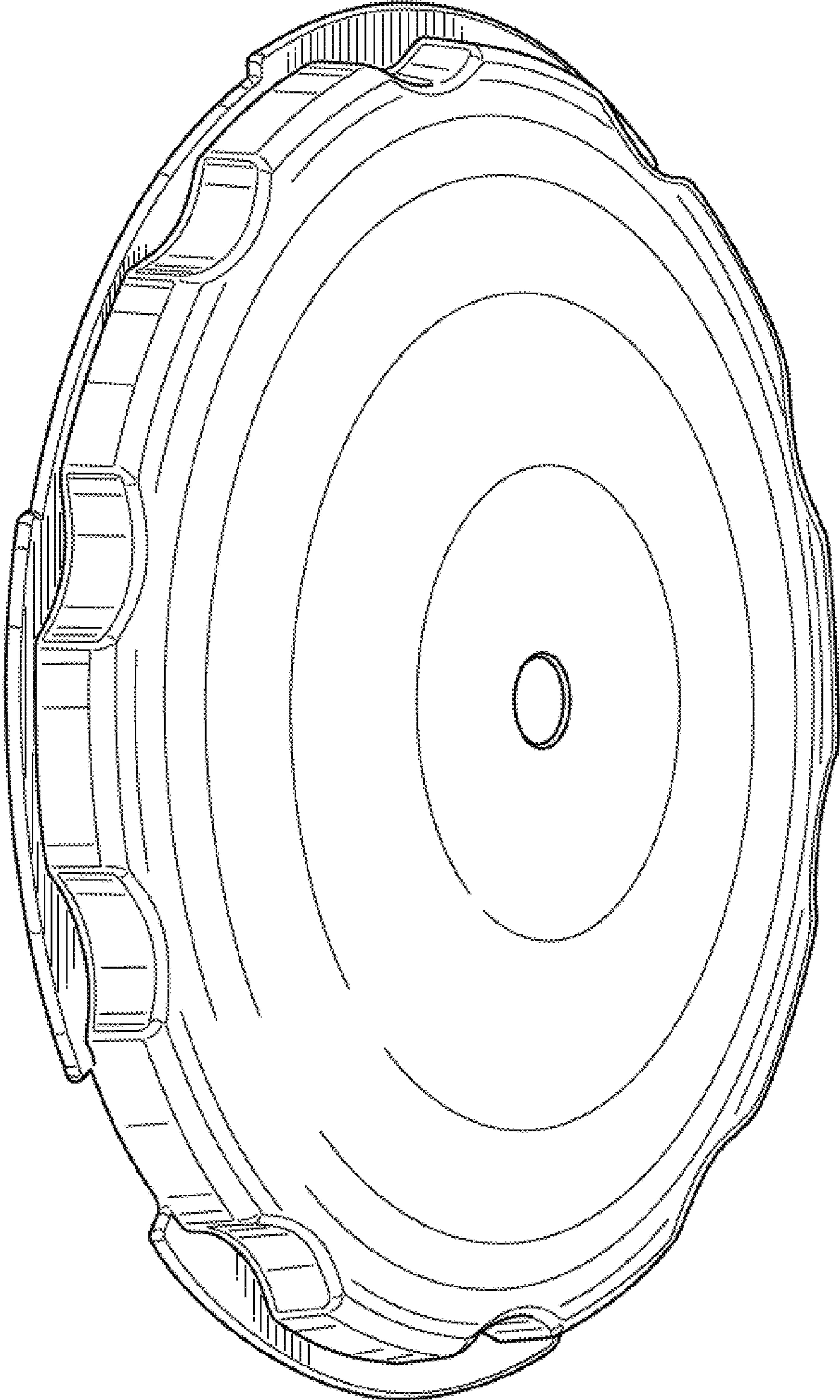


Fig. 19

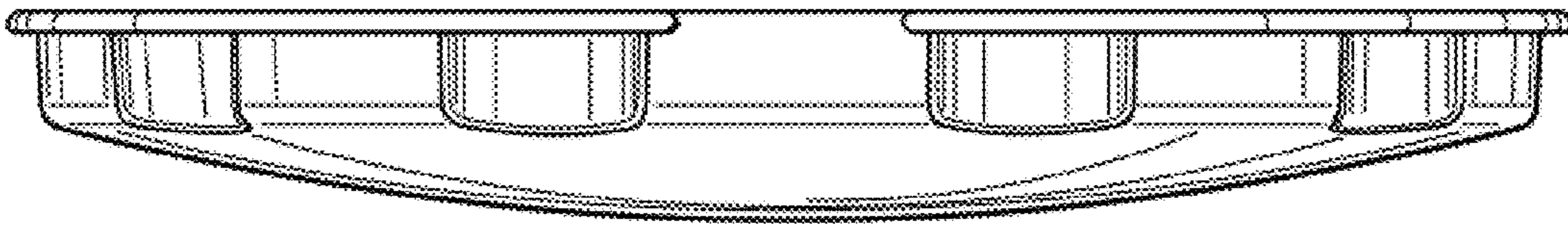


Fig. 20

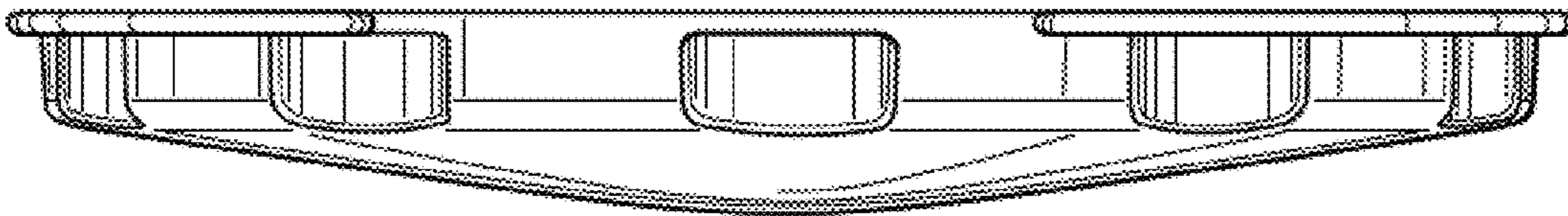


Fig. 21

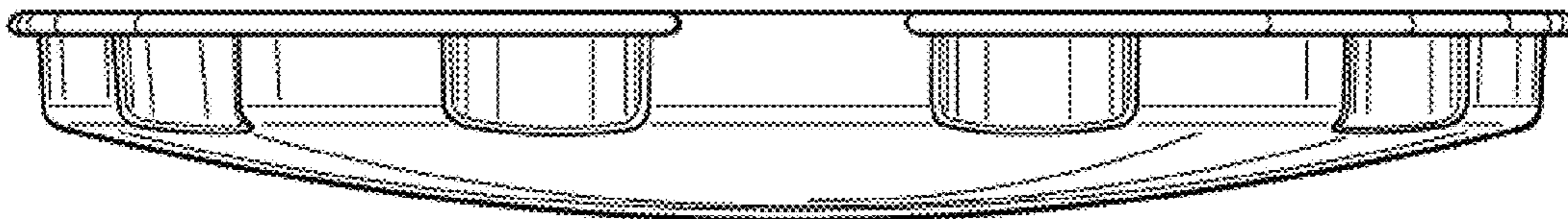


Fig. 22

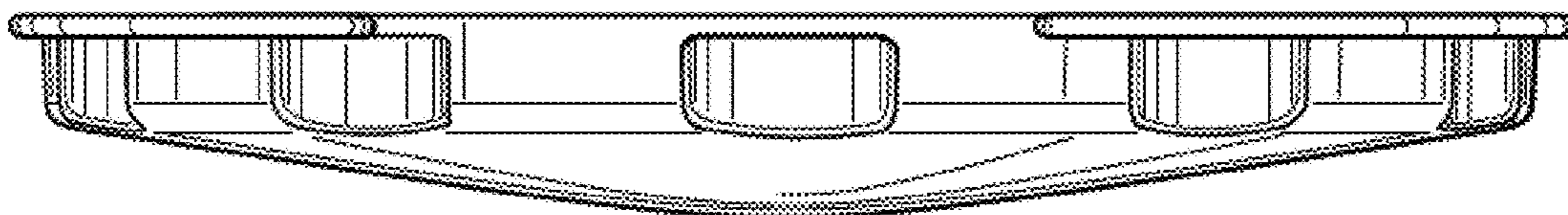


Fig. 23

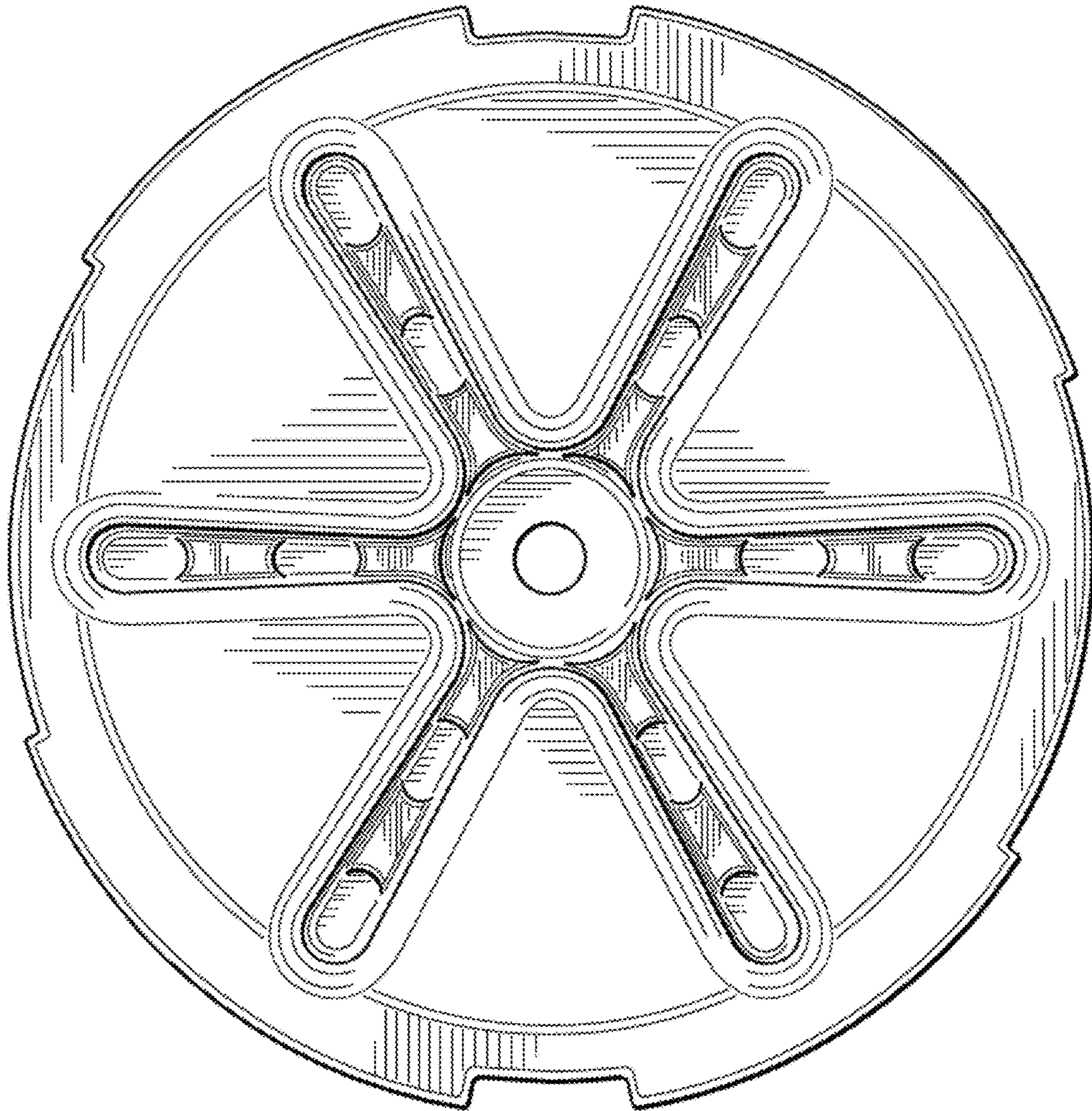


Fig. 24

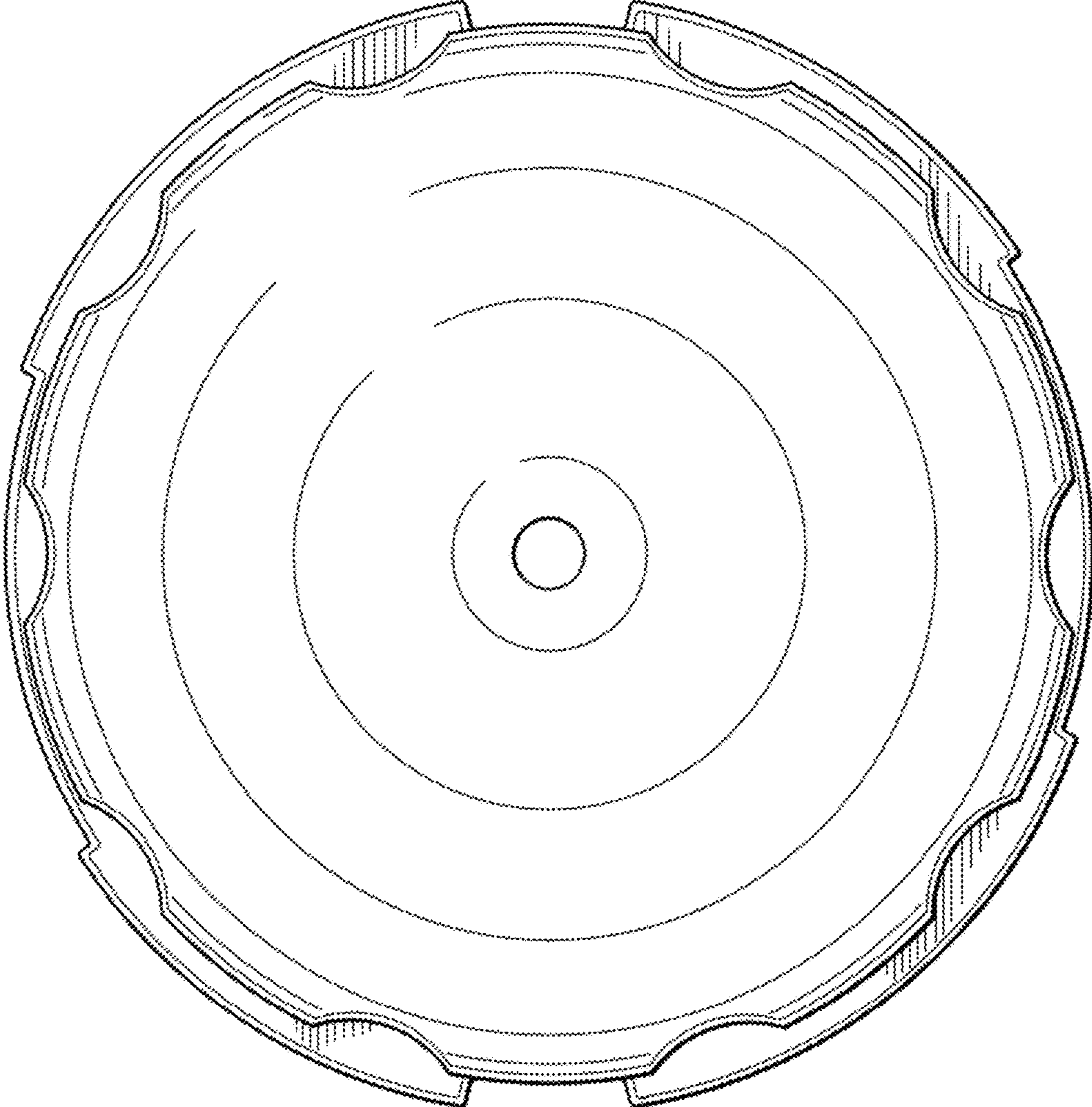


Fig. 25

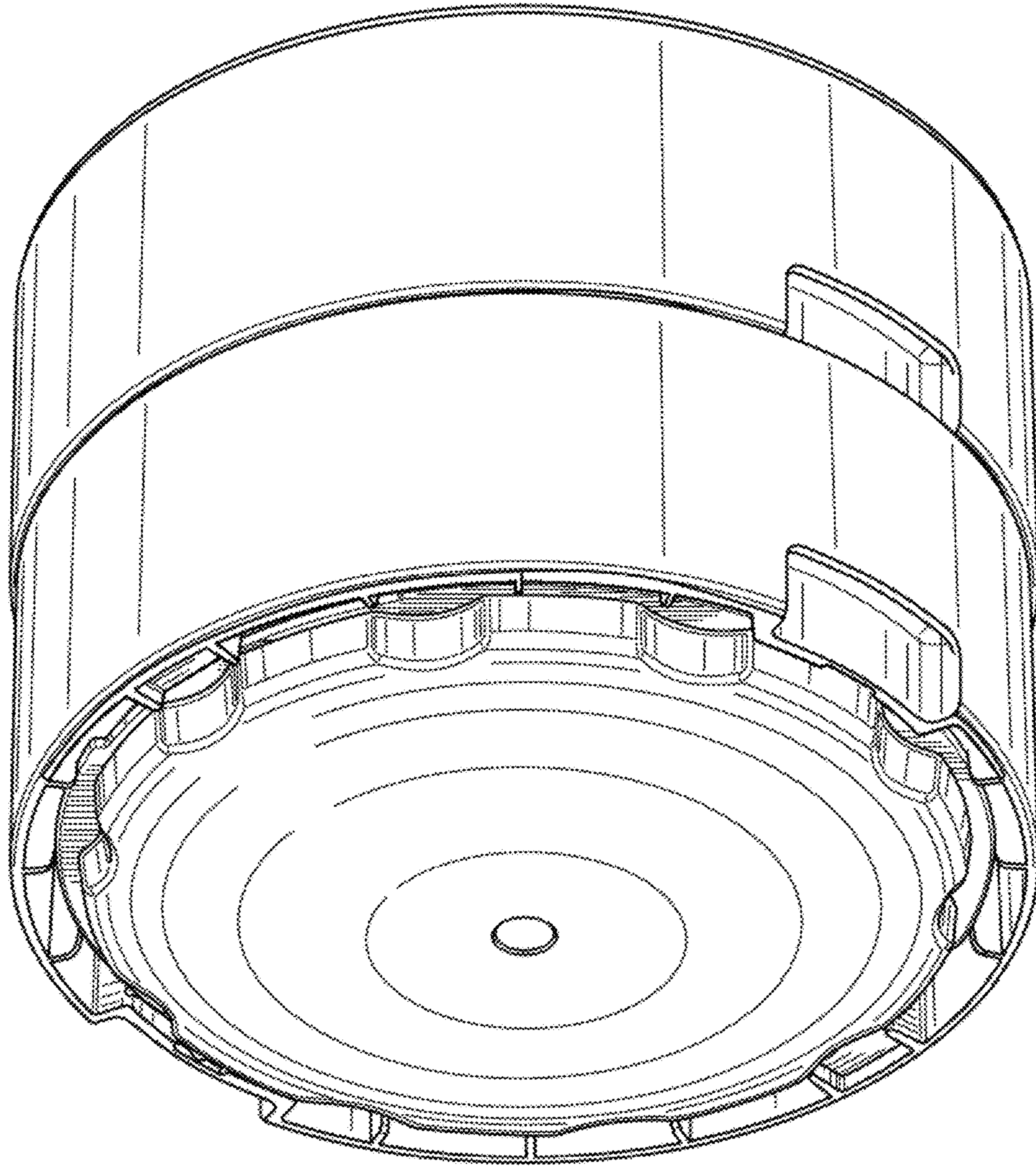


Fig. 26

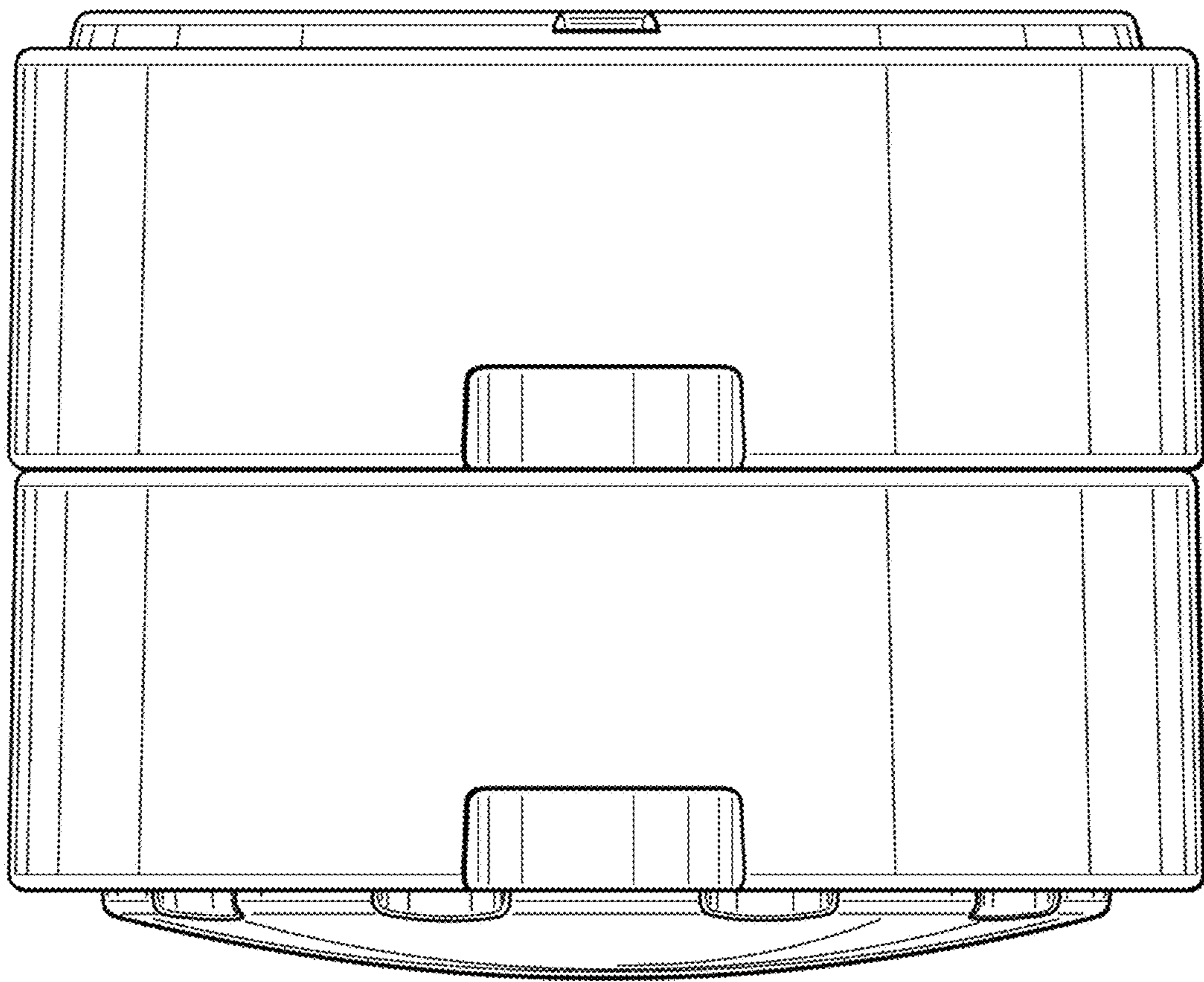


Fig. 27

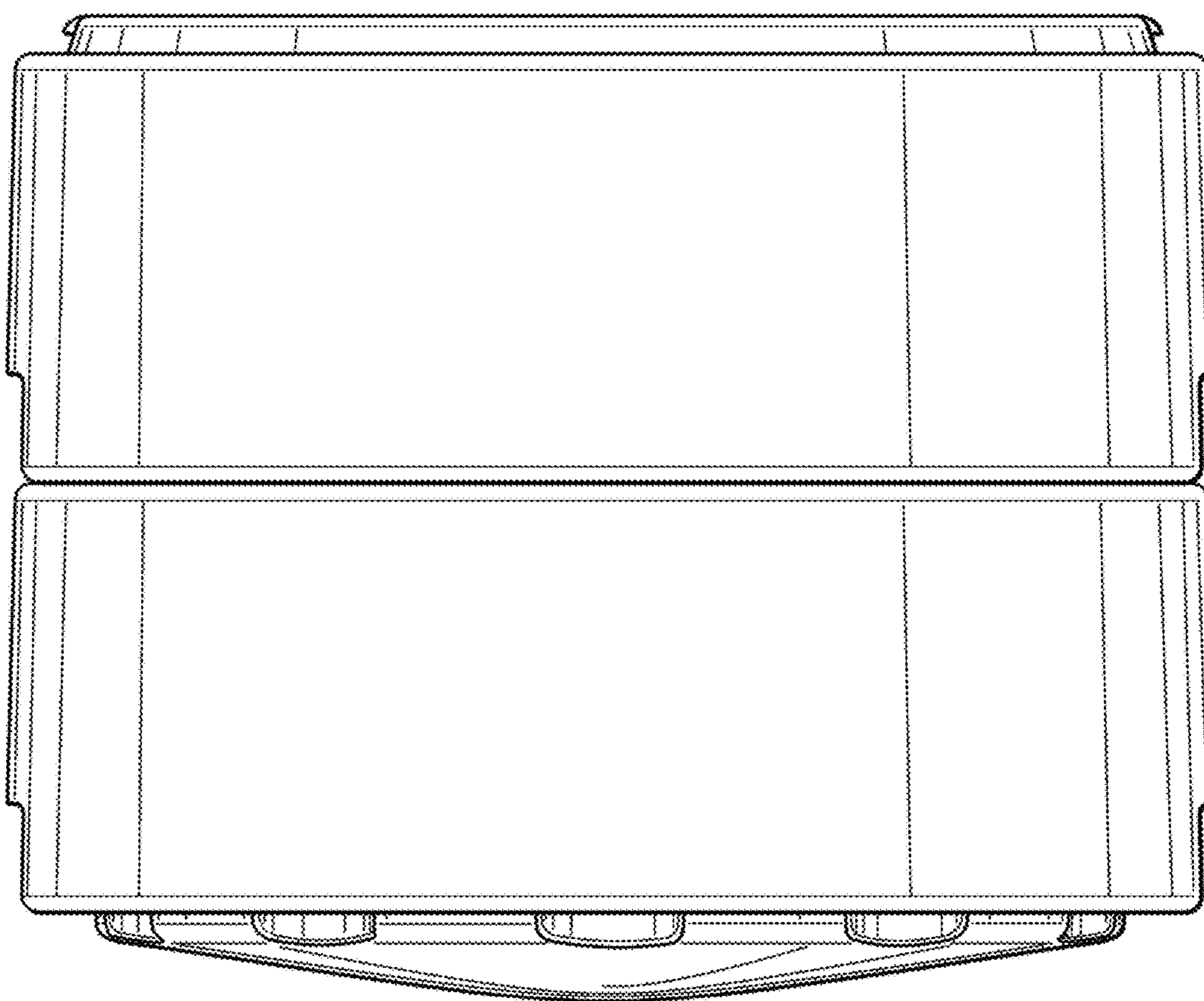


Fig. 28

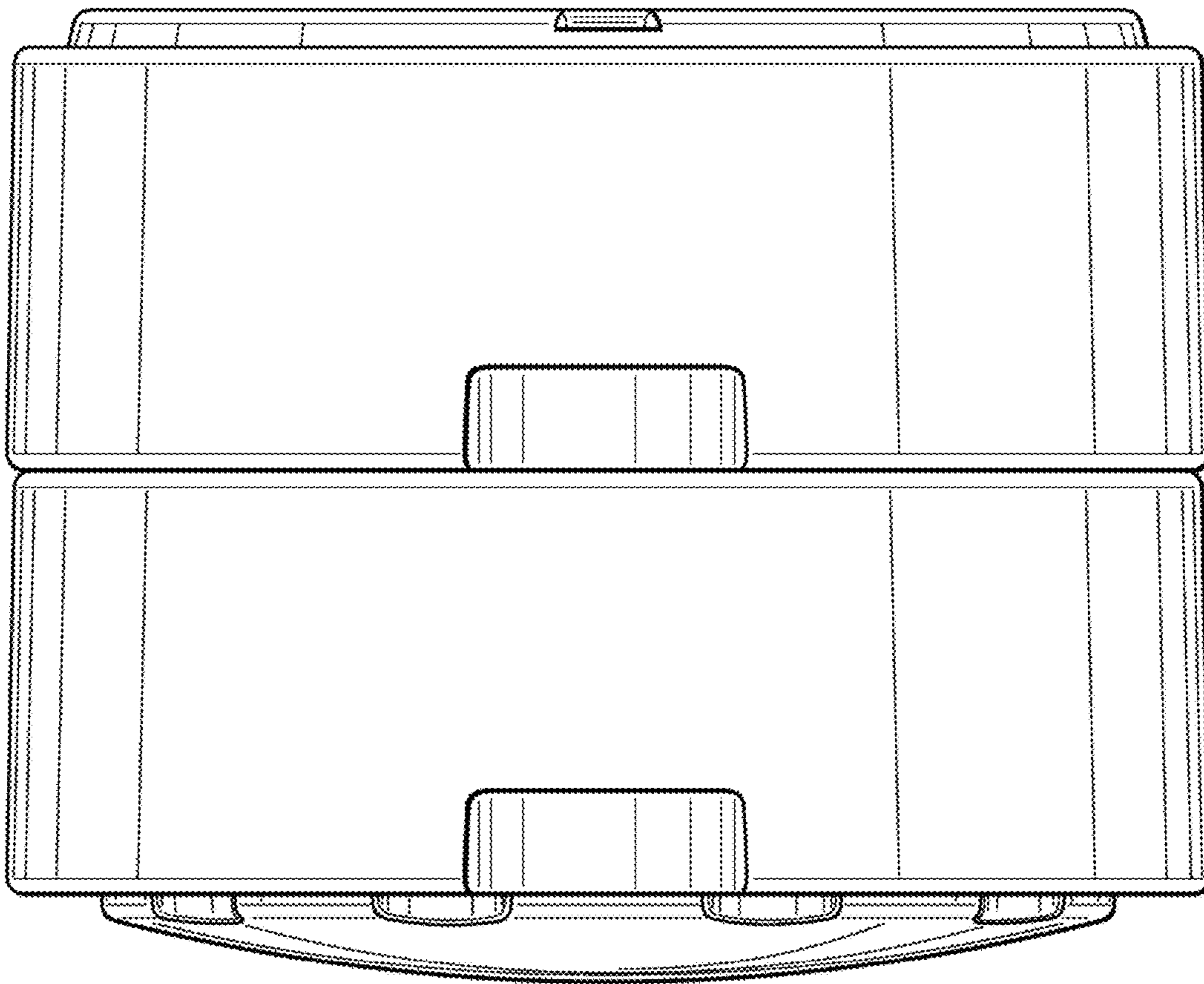


Fig. 29

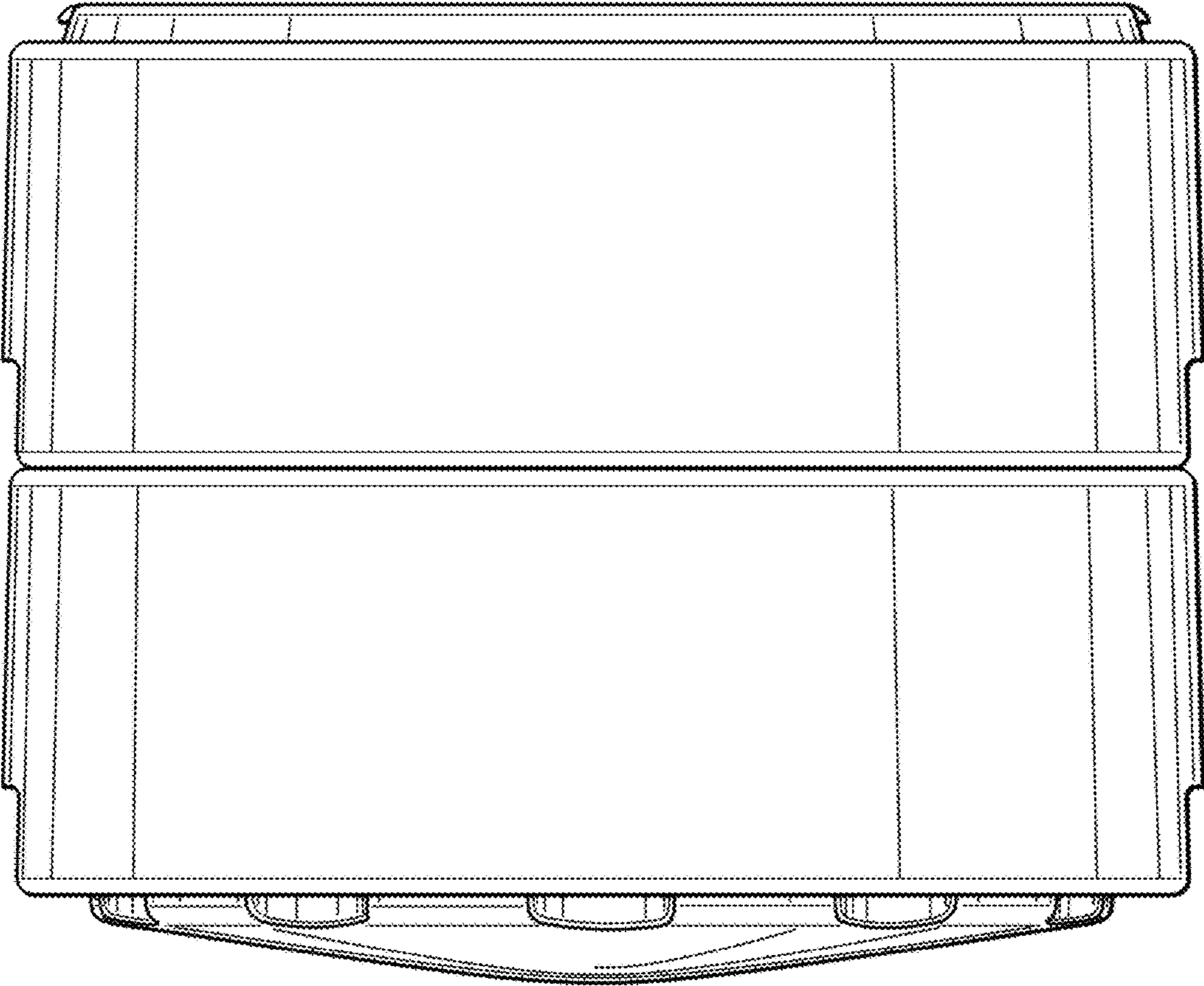


Fig. 30

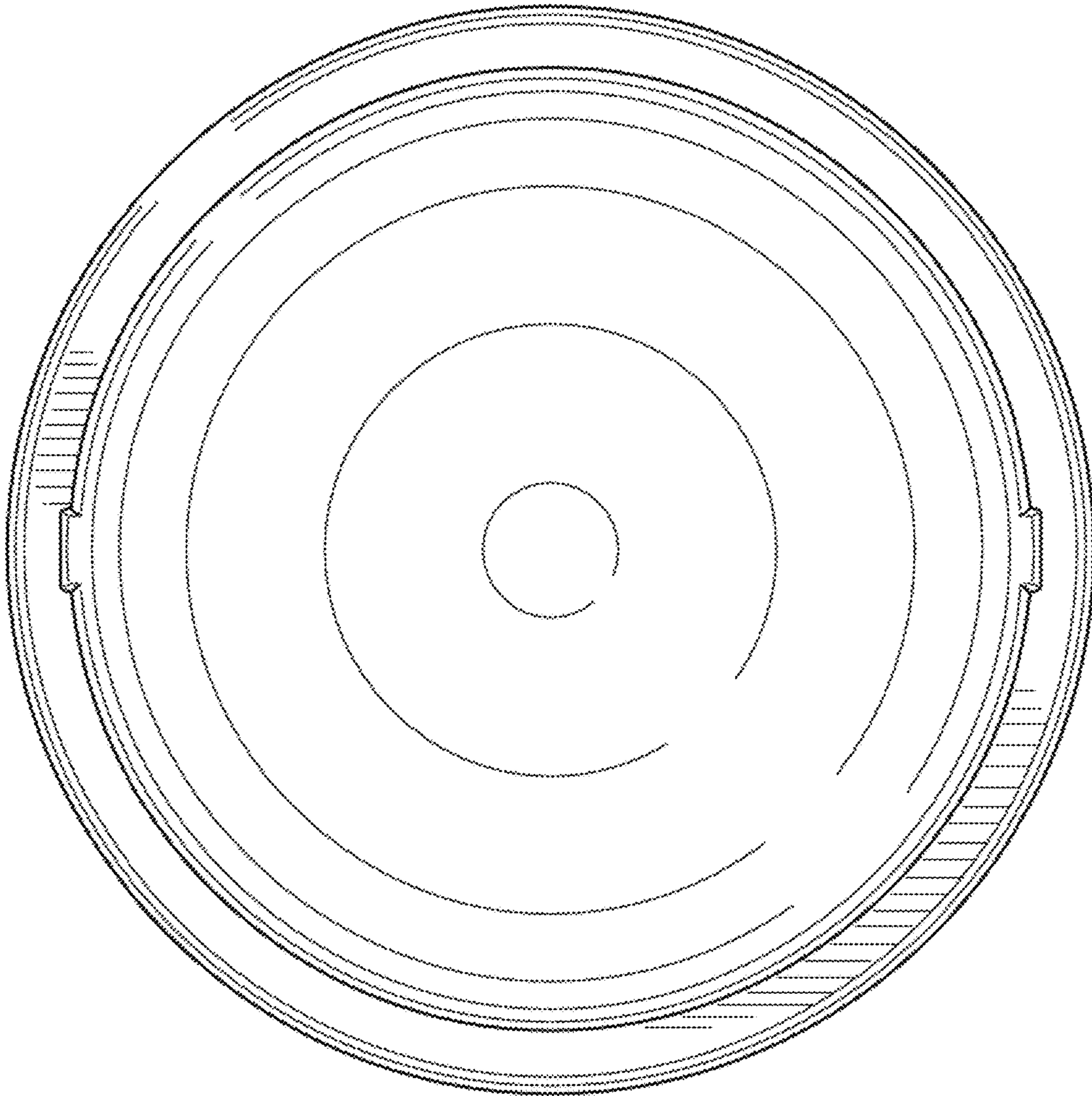


Fig. 31

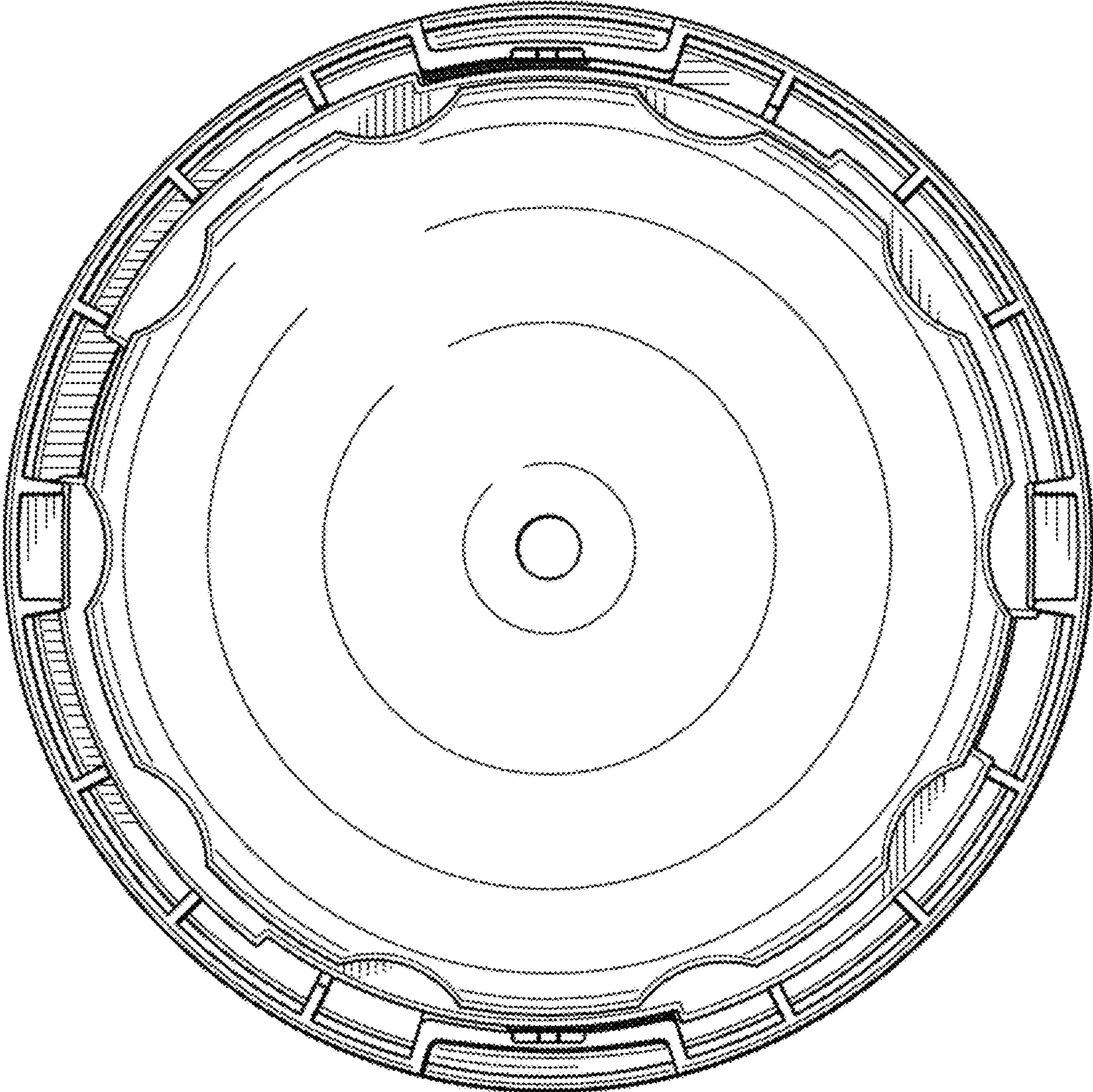


Fig. 32

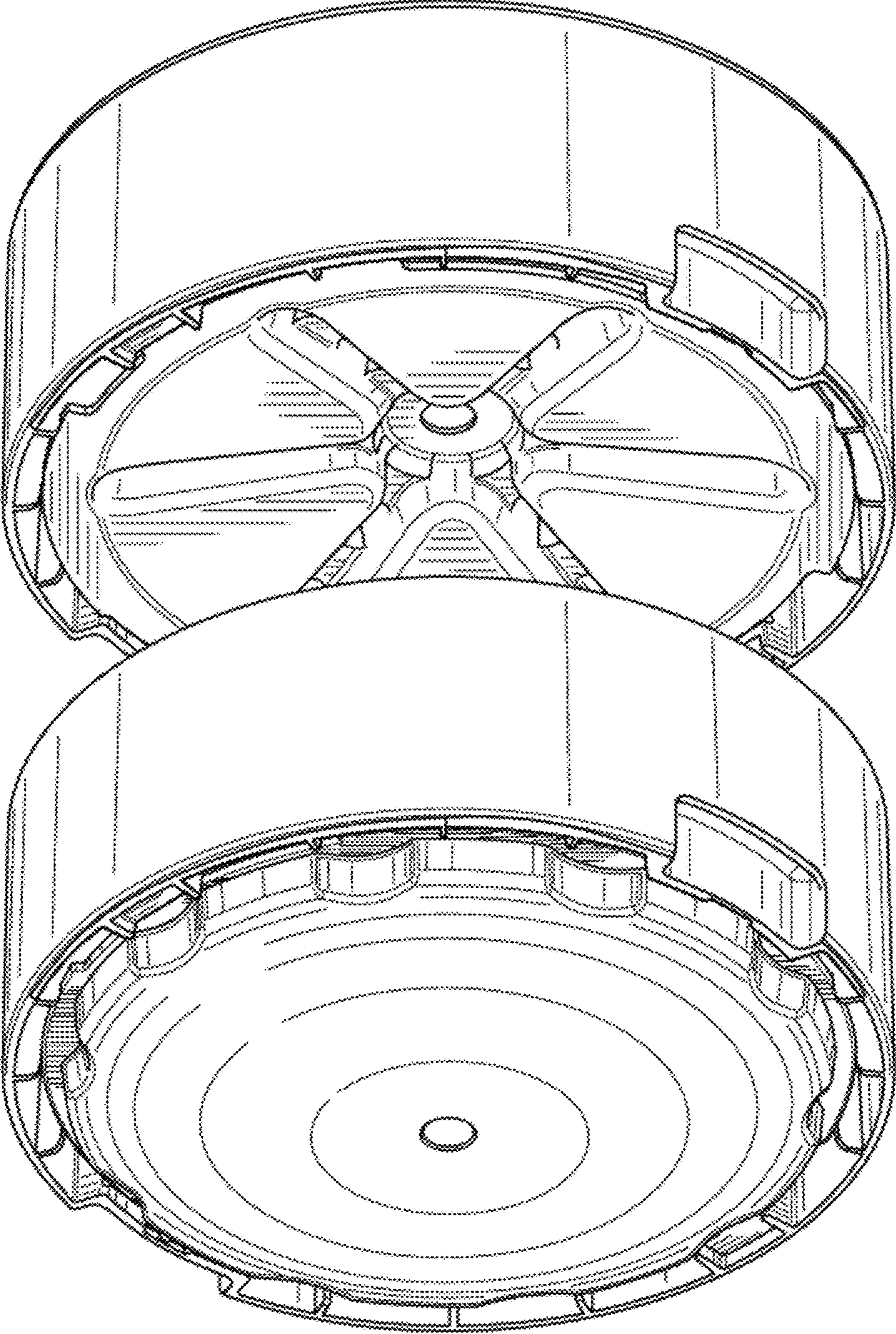


Fig. 33

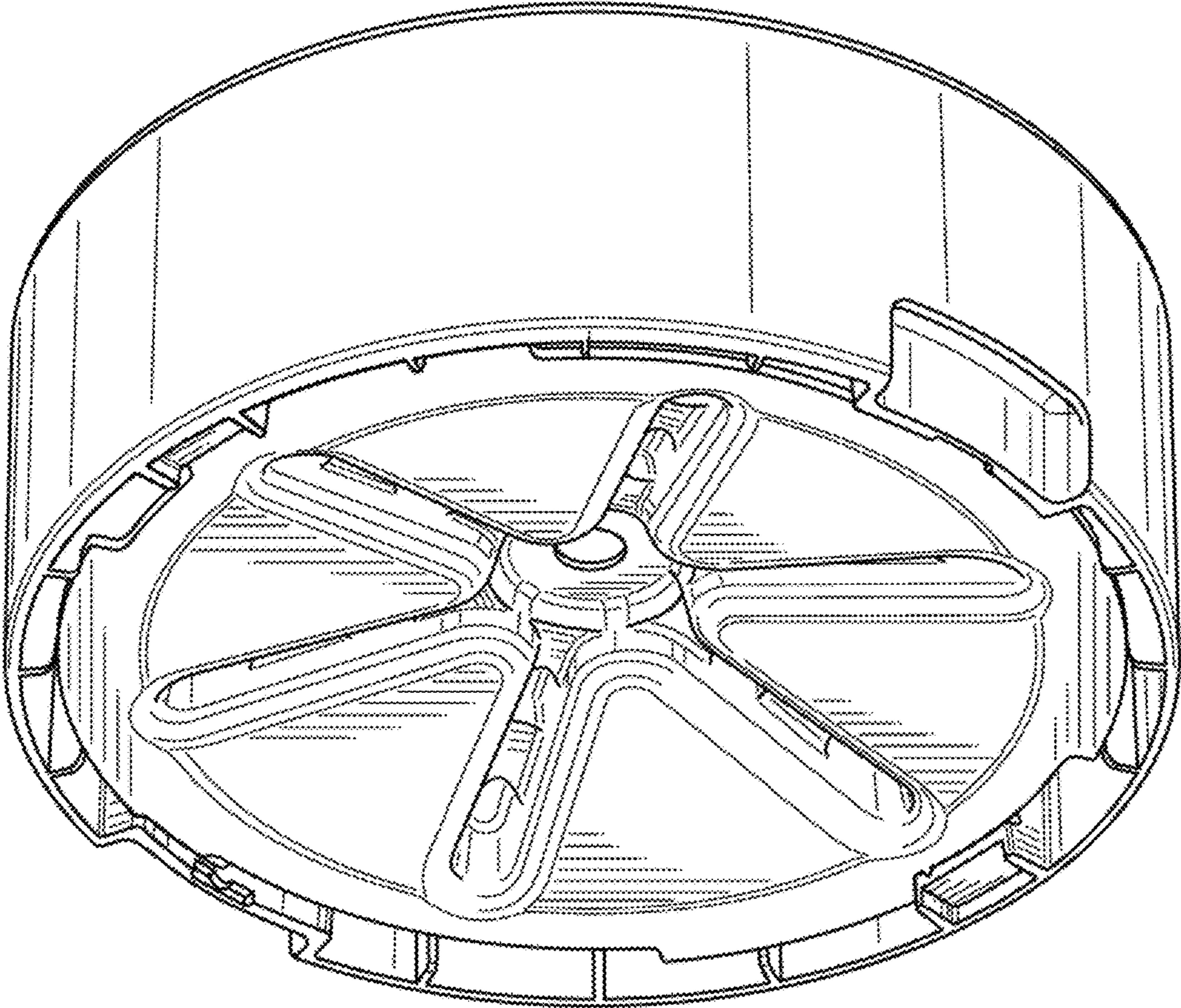


Fig. 34

