



US00D837539S

(12) **United States Design Patent** (10) **Patent No.:** **US D837,539 S**
Nicoll et al. (45) **Date of Patent:** **** Jan. 8, 2019**

(54) **MODULAR KITCHEN** D223,005 S 2/1972 Genaro et al.
3,993,376 A 11/1976 Meldahl
(71) Applicant: **NewAge Products, Inc.**, Vaughan (CA) D245,619 S 8/1977 Robinson
4,054,338 A 10/1977 Martin
(72) Inventors: **David Wesley Nicoll**, Mississauga D246,496 S * 11/1977 Weckwerth D34/1
(CA); **Robert Vandenharn**, North York 4,090,755 A 5/1978 Johnson
(CA); **Parag Shah**, Toronto (CA); 4,138,000 A 2/1979 Hartup
Frank Spano, Toronto (CA); **Edward** 4,589,445 A 5/1986 Sanchez Aguilar et al.
Reyes, Maple (CA) 4,592,603 A 6/1986 Adams et al.
4,759,193 A * 7/1988 Dehring F25D 11/02
62/258

(73) Assignee: **NewAge Products, Inc.**, Vaughan,
Ontario (CA) D301,526 S 6/1989 Jacobs et al.
D301,527 S 6/1989 Jacobs et al.
D322,185 S 12/1991 McInnis
D331,334 S 12/1992 Hollington
D378,454 S 3/1997 Miller et al.
D386,917 S 12/1997 Blevio
5,871,029 A 2/1999 Peteri et al.
5,873,643 A 2/1999 Burgess, Jr. et al.
D408,538 S 4/1999 Simpkins et al.
(22) Filed: **May 23, 2017** 5,918,432 A * 7/1999 Mahone A47B 47/00
52/220.2

Related U.S. Application Data

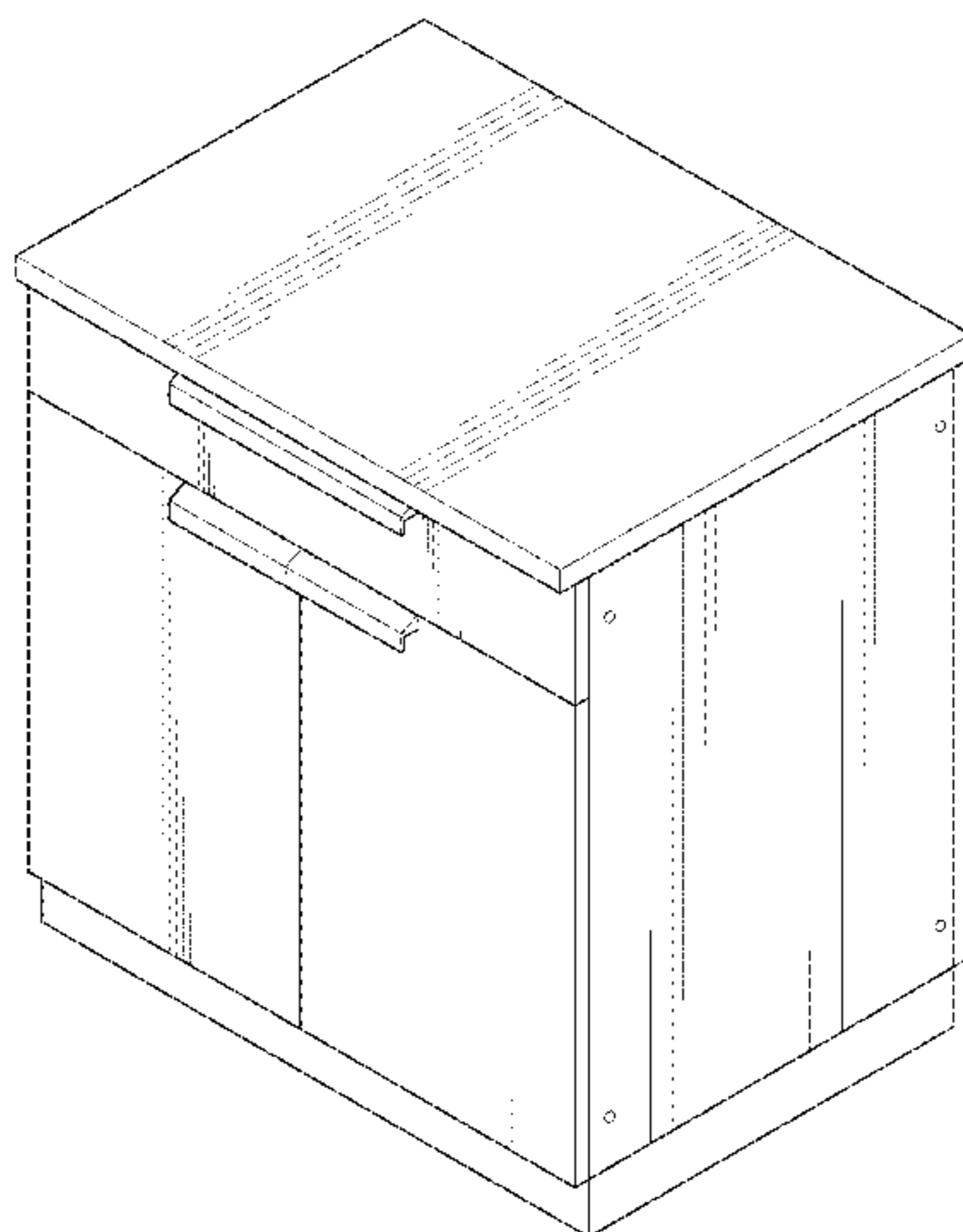
(62) Division of application No. 29/551,930, filed on Jan. 19, 2016, now Pat. No. Des. 793,772.
(51) **LOC (11) Cl.** **06-01**
(52) **U.S. Cl.**
USPC **D6/336**
(58) **Field of Classification Search**
USPC D6/334, 335, 349, 396, 432, 433, 445,
D6/446, 447, 448, 470, 510, 559, 663,
D6/703, 719; D34/1, 12, 27
CPC . A47B 47/00; H05K 5/00; H05K 7/14; H05K
7/20; F16B 12/00; F25D 11/02; F25D
31/00
See application file for complete search history.

D434,584 S * 12/2000 Zaidman D6/703
D439,458 S 3/2001 Melillo
D439,782 S 4/2001 Melillo
D440,427 S 4/2001 Melillo
D440,428 S 4/2001 Melillo
D446,408 S 8/2001 Mathieu et al.
6,273,138 B1 8/2001 Yoney
D461,972 S * 8/2002 Everett D6/663
D462,227 S 9/2002 Alden et al.
D492,857 S * 7/2004 Harwanko D6/663
D494,004 S 8/2004 Chapman
D496,540 S 9/2004 Moon et al.
D503,839 S 4/2005 Schmidt et al.
D507,914 S * 8/2005 Schmidt D6/703
7,021,308 B2 4/2006 Caruso
7,111,852 B2 9/2006 Woods et al.
D533,009 S 12/2006 Pai
D533,010 S 12/2006 Pai
D535,846 S 1/2007 Debord et al.
D542,056 S 5/2007 Puente et al.
D549,501 S * 8/2007 Gaska D6/703.3
D558,483 S 1/2008 Bertch et al.
D560,416 S 1/2008 Sedberry et al.
D562,597 S 2/2008 Weatherly
D569,168 S 5/2008 Pai
D571,602 S 6/2008 Chung
7,389,796 B2 6/2008 Vilhelmsen
D581,199 S 11/2008 Chau
D584,562 S 1/2009 Chau et al.
D586,609 S 2/2009 Chau
D602,723 S 10/2009 Daino et al.

(56) **References Cited**

U.S. PATENT DOCUMENTS

1,527,531 A 2/1925 Topazzi
2,449,433 A 9/1948 Wheelock
2,725,274 A 11/1955 Stivale
D198,887 S 8/1964 Grande
3,158,016 A * 11/1964 Fay E05C 9/025
292/143
3,314,740 A 4/1967 Lappin et al.
3,471,947 A 10/1969 Genser



D608,516 S *	1/2010	Cantrell	D34/1
D618,019 S *	6/2010	Gaska	D6/703.3
D635,814 S	4/2011	Leavens	
8,070,076 B2	12/2011	Erickson et al.	
D651,829 S	1/2012	Ma	
D658,217 S	4/2012	Wenning	
D660,073 S	5/2012	Chung	
D661,538 S	6/2012	Chung	
D665,201 S	8/2012	Gaska et al.	
D666,034 S *	8/2012	Gaska	D6/703.3
D667,652 S	9/2012	Wang	
D672,989 S *	12/2012	McManic	D6/668.1
D673,387 S	1/2013	Pazhoor	
D679,937 S	4/2013	Chung	
D684,802 S	6/2013	Johnson et al.	
D687,669 S	8/2013	Chung	
D688,510 S	8/2013	Stirn	
D688,512 S	8/2013	Chung	
D693,624 S	11/2013	Chung	
D694,056 S	11/2013	Dahle	
D694,568 S	12/2013	Alden et al.	
D697,357 S	1/2014	Goecke et al.	
8,621,681 B2	1/2014	Macan et al.	
D711,673 S *	8/2014	Lim	D6/703
D712,191 S	9/2014	Chung	
D712,692 S *	9/2014	McManic	D6/702
D716,086 S *	10/2014	Bender	D6/703
D717,097 S	11/2014	Lin	
8,931,300 B2 *	1/2015	Smith	F25D 23/065 62/443
D722,810 S	2/2015	Chung	
D723,321 S	3/2015	Chung	
D723,322 S	3/2015	Strauch et al.	
D723,860 S	3/2015	Chung	
D726,491 S	4/2015	Witzel et al.	
D731,843 S	6/2015	Chung	
D732,874 S	6/2015	Chung	
D736,026 S	8/2015	Kam et al.	
D737,092 S	8/2015	Lin	
D744,775 S	12/2015	Yang	
D747,909 S	1/2016	Simms, II	
D747,911 S	1/2016	Sheppard	
D748,423 S	2/2016	Chiang	
D753,430 S	4/2016	Wagner	
D769,667 S	10/2016	Ting	
D769,668 S	10/2016	Lally	
D773,214 S	12/2016	Ben Avi	
D773,229 S	12/2016	Jaggard et al.	
D775,866 S	1/2017	Ben Avi	
D776,476 S	1/2017	Euwer	
D784,557 S	4/2017	Thuma et al.	
D807,085 S *	1/2018	Vandenhams	D6/671.1
D820,010 S *	6/2018	Reyes	D6/663
9,993,073 B2 *	6/2018	Wakiya	A47B 47/0066
2002/0078865 A1	6/2002	Kuvshnikov	
2004/0169155 A1	9/2004	Chen et al.	
2005/0035697 A1	2/2005	Chen	
2005/0241701 A1	11/2005	Bender	
2006/0196563 A1	9/2006	Liles et al.	
2007/0204858 A1	9/2007	Abelbeck	
2007/0251590 A1	11/2007	Weinstein	
2008/0121118 A1	5/2008	Sikes	
2008/0229937 A1	9/2008	Stephen et al.	
2010/0132689 A1	6/2010	Contarino, Jr.	
2010/0297321 A1	11/2010	Strauch	
2011/0219958 A1	9/2011	Noble	
2013/0112088 A1	5/2013	May	
2014/0060394 A1	3/2014	Yaman et al.	
2014/0132129 A1	5/2014	Deneweth et al.	
2014/0318524 A1	10/2014	Measom et al.	
2015/0004297 A1	1/2015	Potheses	
2015/0218864 A1	8/2015	Simon	
2016/0198895 A1	7/2016	Turner	
2016/0208837 A1	7/2016	Chang	
2016/0360924 A1	12/2016	Bruin-Slot	

FOREIGN PATENT DOCUMENTS

CN	203096835 U	7/2013
GB	2 397 519 B	11/2005
WO	WO 87/06861 A1	11/1987

OTHER PUBLICATIONS

English language abstract and computer-generated English language translation for CN 203096835 extracted from espacenet.com database on Jun. 15, 2016, 7 pages.

“Sliding Kitchen Countertop”, downloaded from <http://thedecoratingdiva.com/milan-design-week-10-kitchen-bath-trends/> on Sep. 24, 2014, 1 page.

“Sliding Kitchen Countertop”, downloaded from http://www.contemporist.com/2011/06/07/the-sliding-top-by-minimal/sliding_top_0706_11_02/ on Sep. 25, 2014, 1 page.

“Outdoor Kitchen Cabinet”, downloaded from http://sell_lulusoso.com/upload/20120305/Stainless_steel_outdoor_kitchen_cabinet.jpg on Oct. 17, 2014, 1 page.

“Outdoor Kitchen Cabinet”, downloaded from <http://bestoutdoorcabinets.com/outstanding-viking-stainless-steel-outdoor-cabinets-also-chrome-faucet-with-brushed-nickel-hardware-and-white-plastic-cutting-board-on-small-porcelain-tile-countertops-with-mosaic-tile-edge-trim/> on Oct. 17, 2014, 2 pages.

“Portable Outdoor Kitchen Island”, downloaded from http://www.outdoordesignstudio.com/soldura_outdoor_furniture_and_storage.html#portable_kitchen_islands on Oct. 29, 2014, 1 page.

“Outdoor Kitchen Sink Module”, downloaded from <http://www.rbrooksandson.com/grills/grill-accessories> on Oct. 29, 2014, 1 page.

“Outdoor Kitchen Island”, downloaded from <http://cacakitchen.blogspot.com/2013/08/grillsislandskitchenstraight-outdoor.html> on Oct. 29, 2014, 1 page.

“Fuego Modular Series FM20MOD”, downloaded from www.ajmadison.com/cgi-bin/ajmadison/FM20MOD.html on Oct. 29, 2014, 1 page.

“Geneva Cabinet”, downloaded from <http://www.genevacabinet.com> on Oct. 29, 2014, 1 page.

“Ozark River Portable Sinks 26"×18" Nature Premier Single Bowl Outdoor Portable Sink with Storage Cabinet-Finish: Power Coated Stainless Steel”, downloaded from <http://www.sears.com/ozark-river-portable-sinks-26inch-x-18inch-nature/p-SPM10940678315?prdNo+11&blockNo+11&blockType+G11> on Oct. 29, 2014, 1 page.

“Outdoor Patio Storage Cabinet”, downloaded from <http://bestoutdoorcabinets.com/sensational-outdoor-patio-storage-cabinet-from-cedar-wood-planks-with-galvanized-steel-countertop-and-rubber-locking-casters/> on Oct. 29, 2014, 1 page.

“Outdoor Wicker Storage Cabinet”, downloaded from <http://goldeneagleoutdooren.made-in-china.com/productimage/nSjEavLCJfkr-2f1j00mZftQbJahhgV/China-New-Outdoor-Wicker-Storage-Cabinet-B0014-html> on Oct. 29, 2014, 1 page.

“30 Inch Storage Cabinet-2 Doors”, downloaded from <http://kalamazoogourmet.com/products/30-storage-cabinet-2-doors> on Oct. 29, 2014, 1 page.

“Horizontal Outdoor Storage Shed”, downloaded from <http://cabinets.apluswhs.com/outdoor-storage-cabinets/horizontal-outdoor-storage-shed/> on Oct. 29, 2014, 1 page.

“Purchasing Outdoor Kitchen Cabinets”, downloaded from <http://dhcabinetry.com/purchasing-outdoor-kitchen-cabinets/> on Oct. 17, 2014, 3 pages.

“Kalamazoo Outdoor Gourmet Products”, downloaded from <http://www.archiexpo.com/prod/kalamazoo-outdoor-gourmet/garden-stainless-steel-sink-cabinets-57824-899620.html> on Oct. 17, 2014, 1 page.

“Outdoor Storage Cabinet Entrancing Plastic Outdoor Cabinet Storage”, downloaded from <http://www.homedecor.pics/outdoor-kitchen-cabinets-plastic/26/outdoor-storage-cabinet-entrancing-plastic-outdoor-cabinet-storage/> on Oct. 17, 2014, 1 page.

“Challenger Outdoor Kitchen”, downloaded from <http://www.firesideoutdoorkitchens.com/wp-content/uploads/2013/07/challenger-outdoor-kitchen-featured.jpg> on Oct. 17, 2014, 1 page.

“Stainless Steel Classic 5-Piece 160 × 36 × 24” in. Outdoor Kitchen Cabinet Set with Covers”, The Home Depot; downloaded from <http://www.homedepot.com/p/NewAge-Products-Stainless-Steel-Classic-5-Piece-160x36x24-in-Outdoor-Kitchen-Cabinet-Set-with-Covers-65972/207163552> on Jun. 1, 2017, 8 pages.

* cited by examiner

Primary Examiner — Susan Bennett Hattan

Assistant Examiner — Suzanne E Tisdell

(74) *Attorney, Agent, or Firm* — Howard & Howard Attorneys PLLC

(57)

CLAIM

An ornamental design for a modular kitchen, as shown and described.

DESCRIPTION

FIG. 1 is a perspective view of an embodiment of a modular kitchen;

FIG. 2 is a perspective view of a two-door cabinet of the modular kitchen of FIG. 1;

FIG. 3 is a front elevational view of the two-door cabinet of FIG. 2;

FIG. 4 is a rear elevational view of the two-door cabinet of Figure FIG. 2;

FIG. 5 is a left side elevational view of the two-door cabinet of FIG. 2;

FIG. 6 is a right side elevational view of the two-door cabinet of FIG. 2;

FIG. 7 is a top plan view of the two-door cabinet of FIG. 2;

FIG. 8 is a bottom plan view of the two-door cabinet of FIG. 2;

FIG. 9 is a perspective view of another embodiment of a modular kitchen;

FIG. 10 is a perspective view of a two-door cabinet of the modular kitchen of FIG. 9;

FIG. 11 is a front elevational view of the two-door cabinet of FIG. 10;

FIG. 12 is a rear elevational view of the two-door cabinet of FIG. 10;

FIG. 13 is a left side elevational view of the two-door cabinet of FIG. 10;

FIG. 14 is a right side elevational view of the two-door cabinet of FIG. 10;

FIG. 15 is a top plan view of the two-door cabinet of FIG. 10; and,

FIG. 16 is a bottom plan view of the two-door cabinet of FIG. 10.

The broken lines, depicted as dot-dot-dot lines, set forth in the drawings depict features of the modular kitchen that form no part of the claimed design.

1 Claim, 10 Drawing Sheets

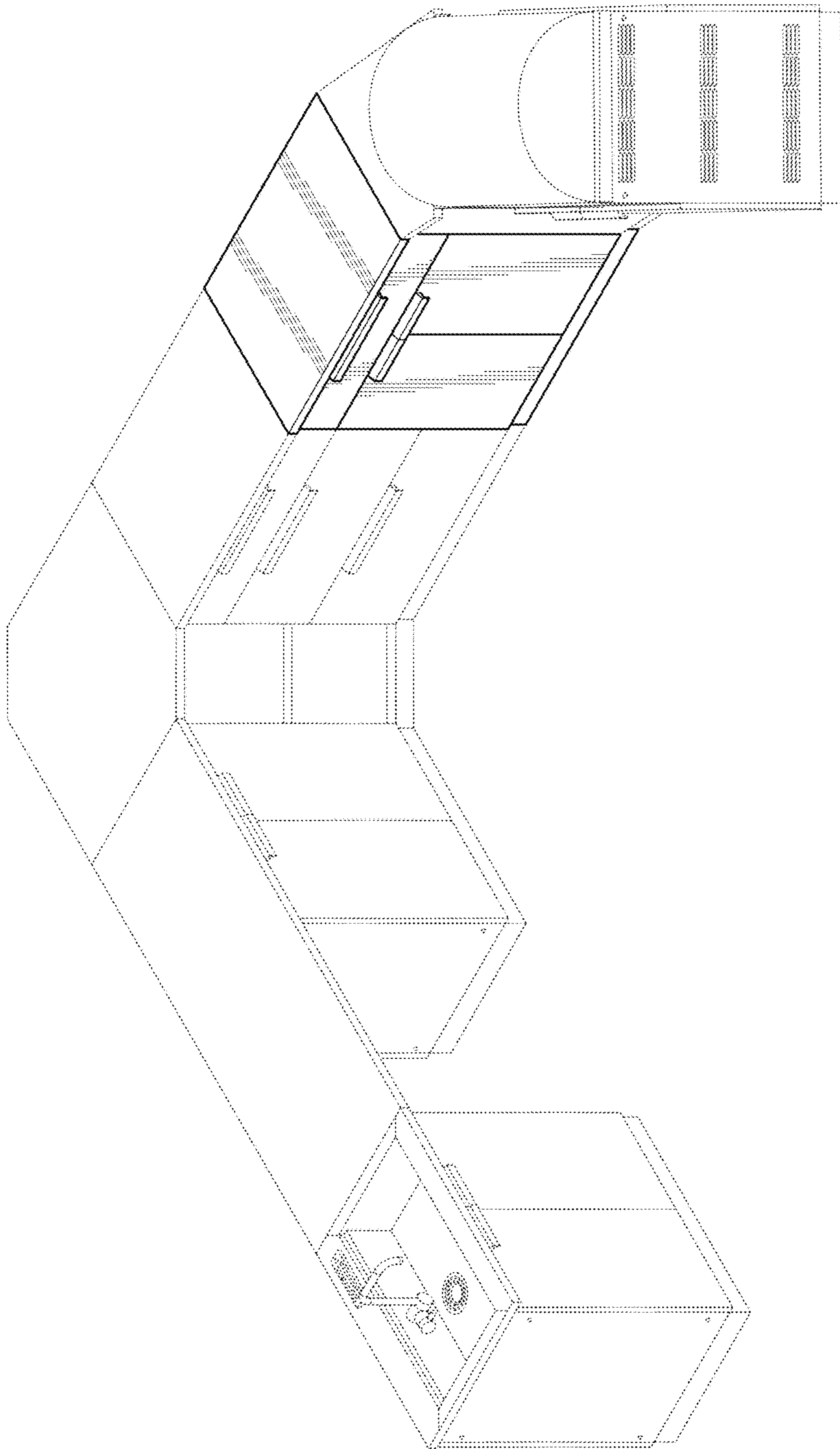


FIG. 1

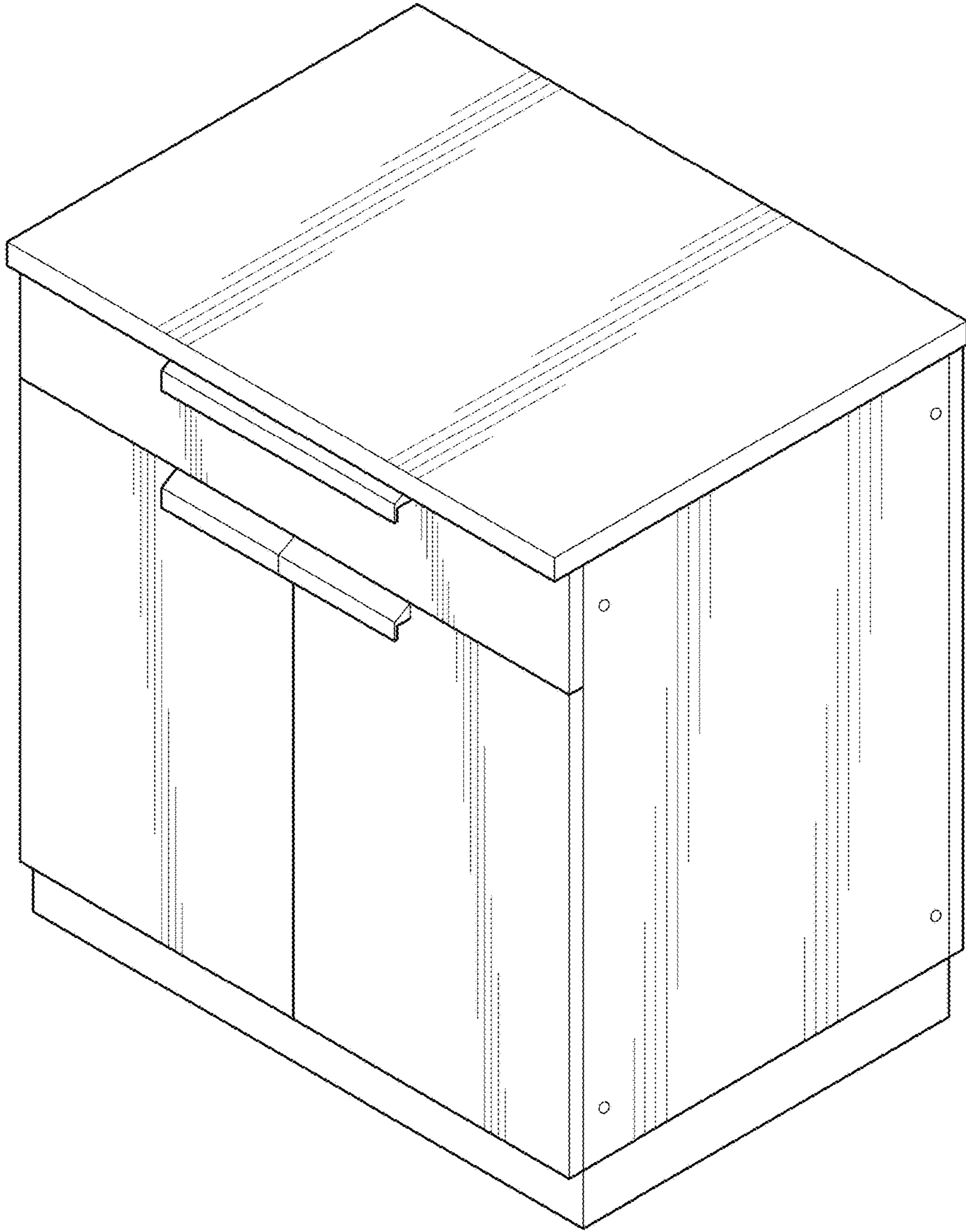


FIG. 2

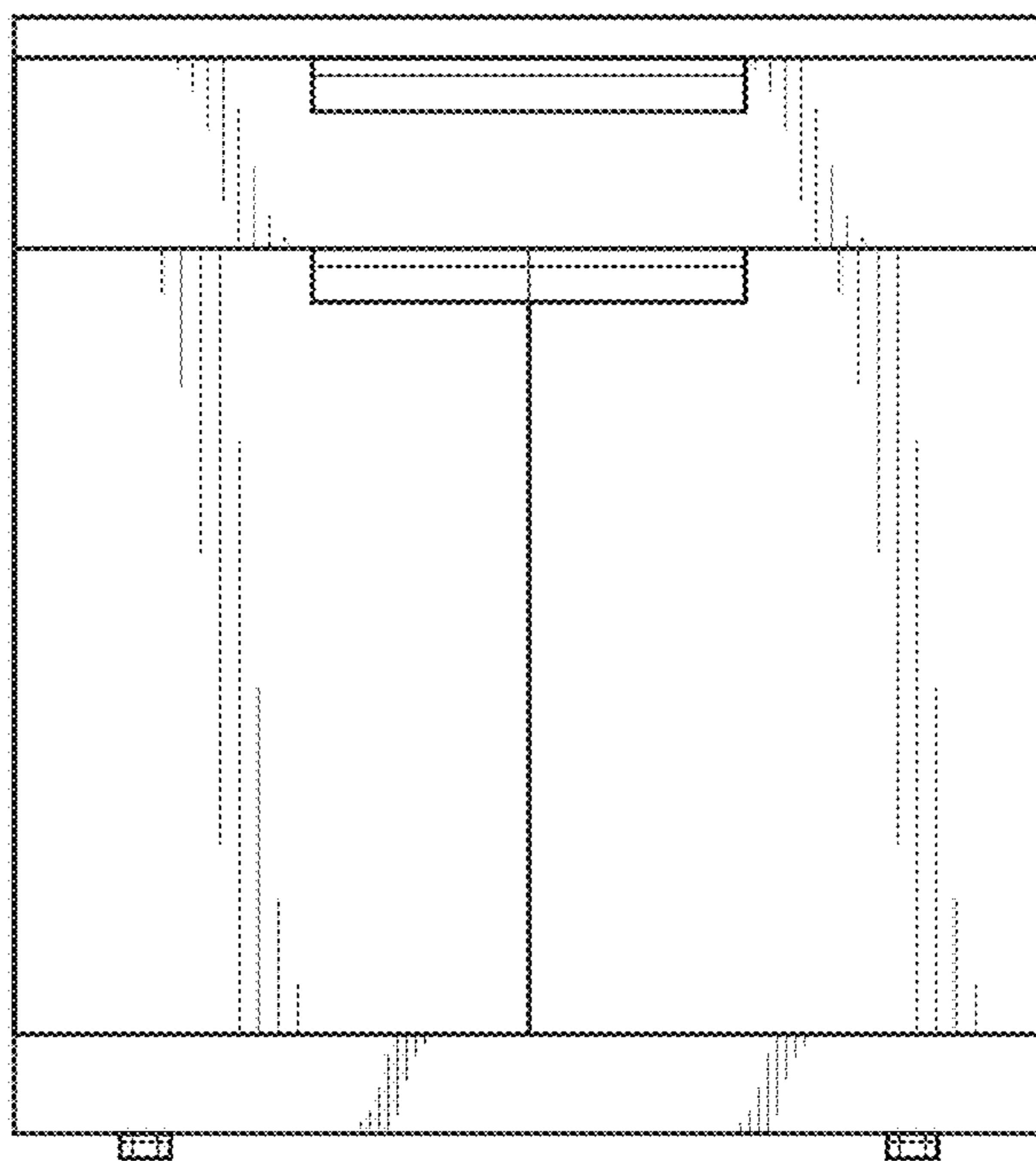


FIG. 3

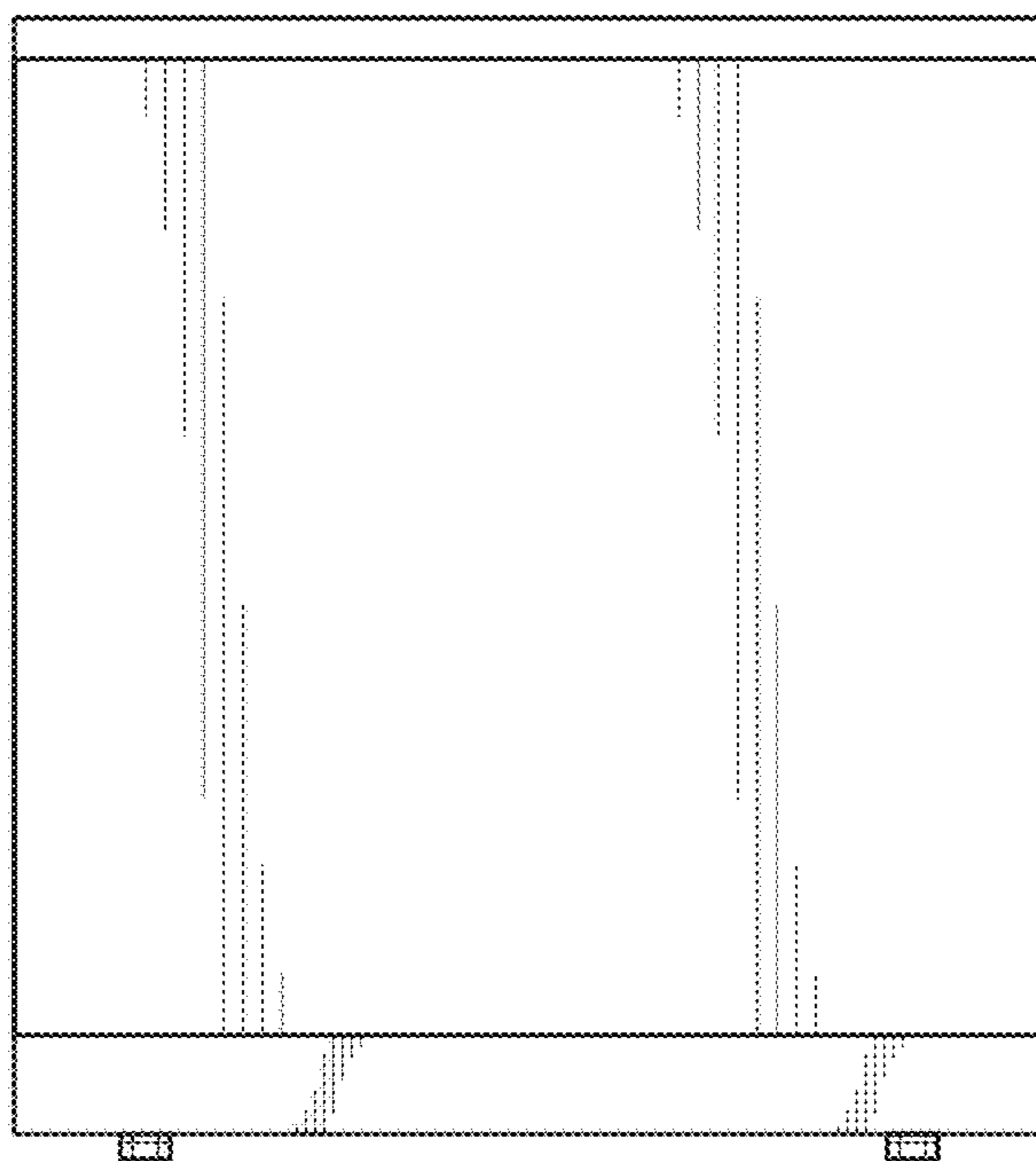


FIG. 4

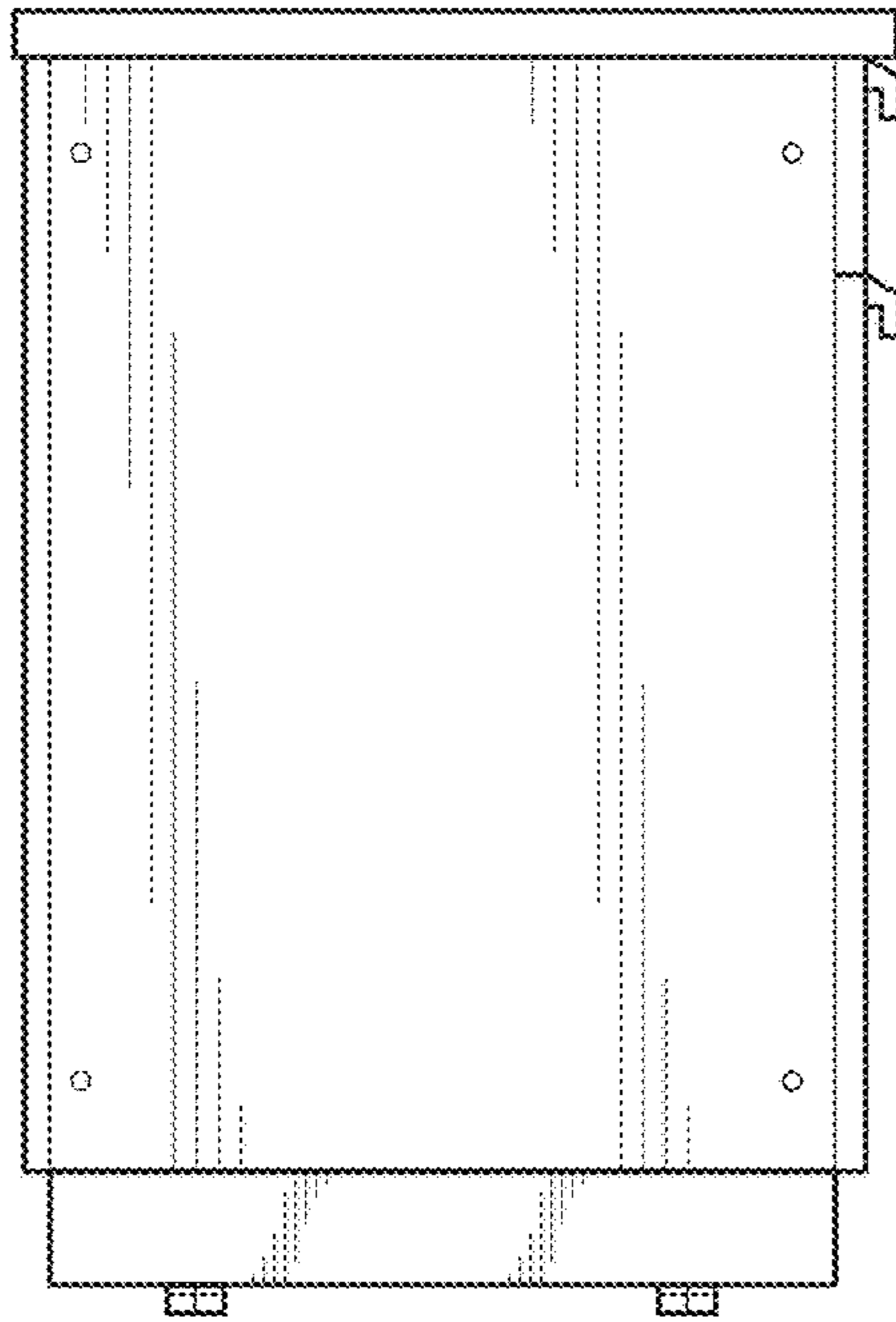


FIG. 5

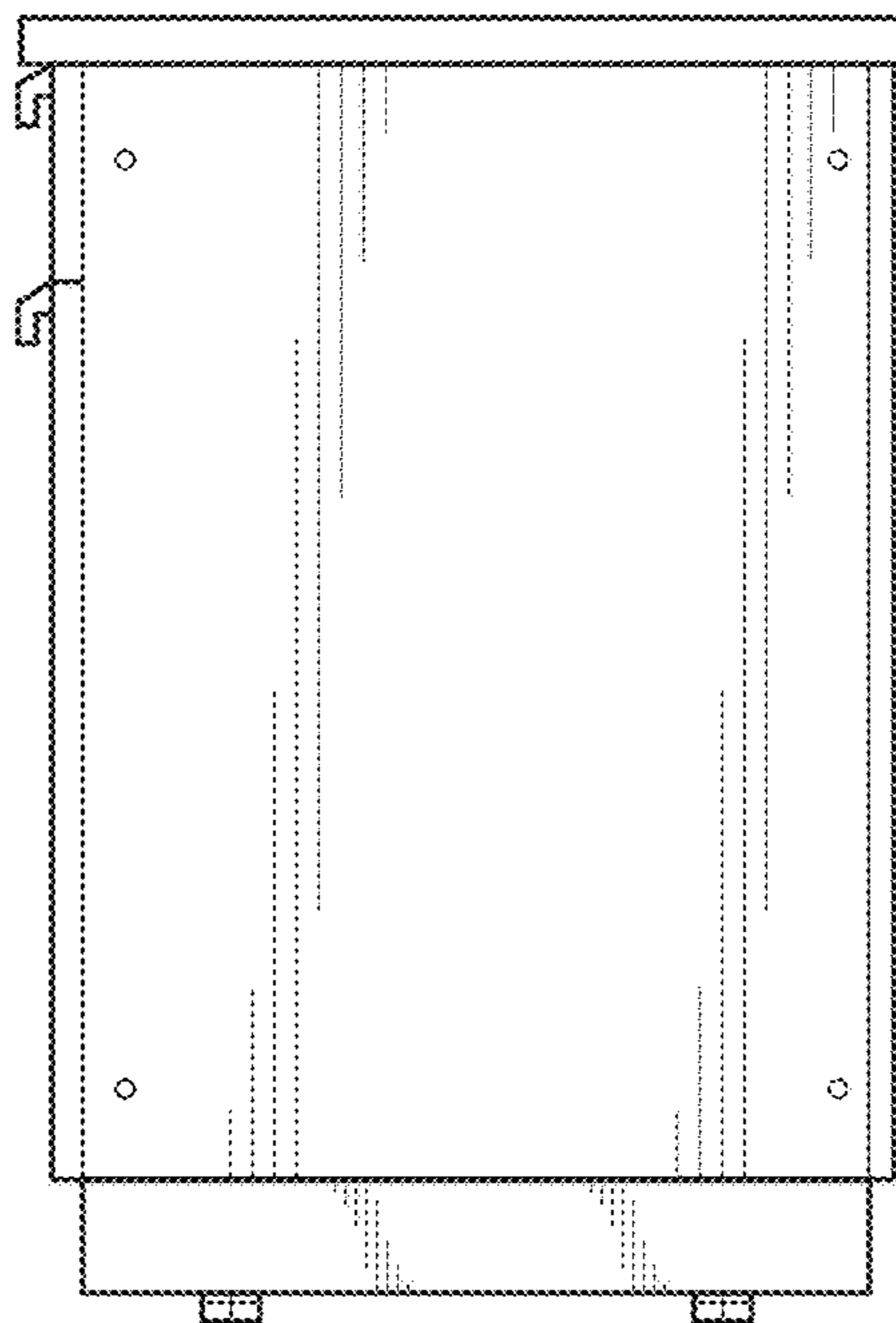


FIG. 6

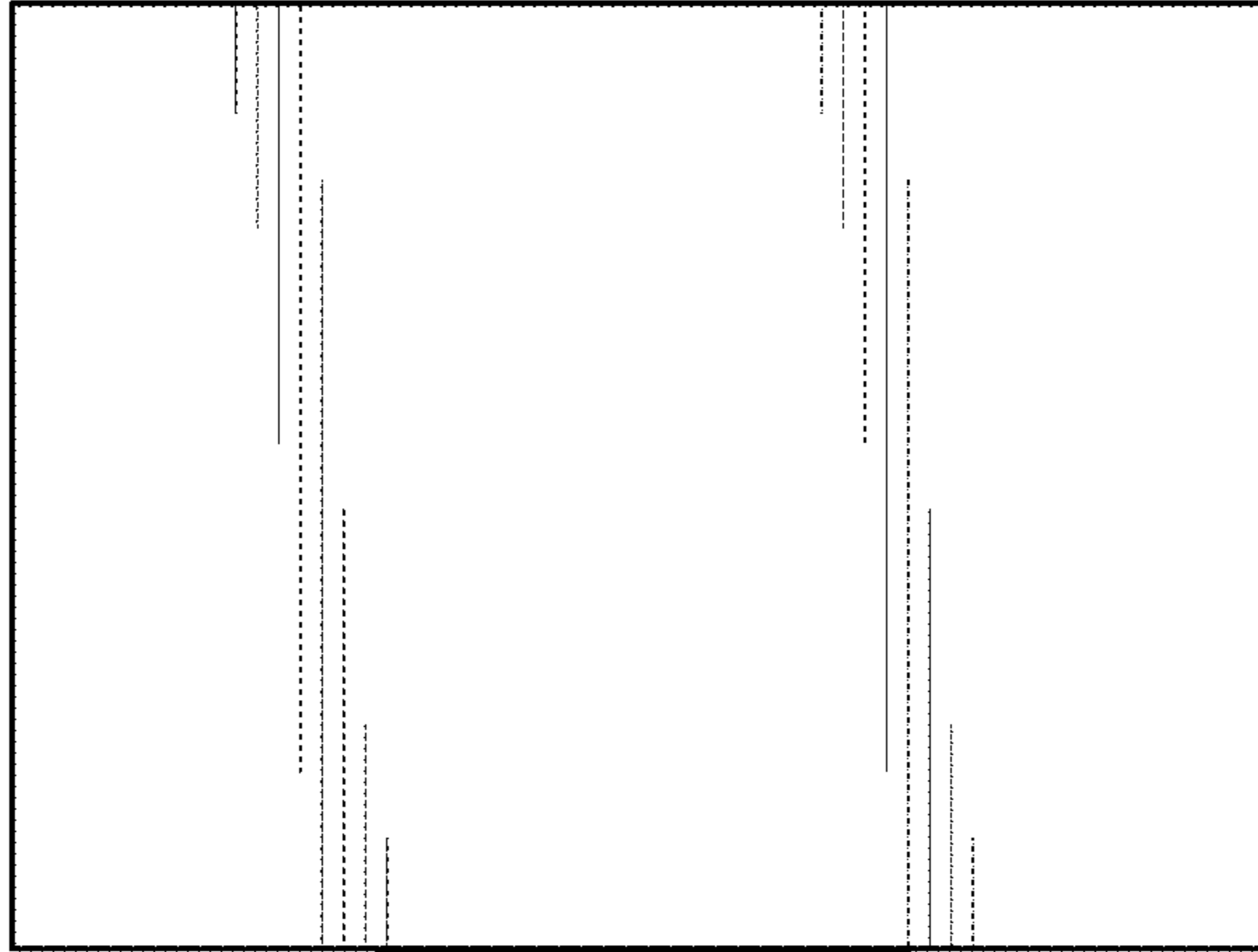


FIG. 7

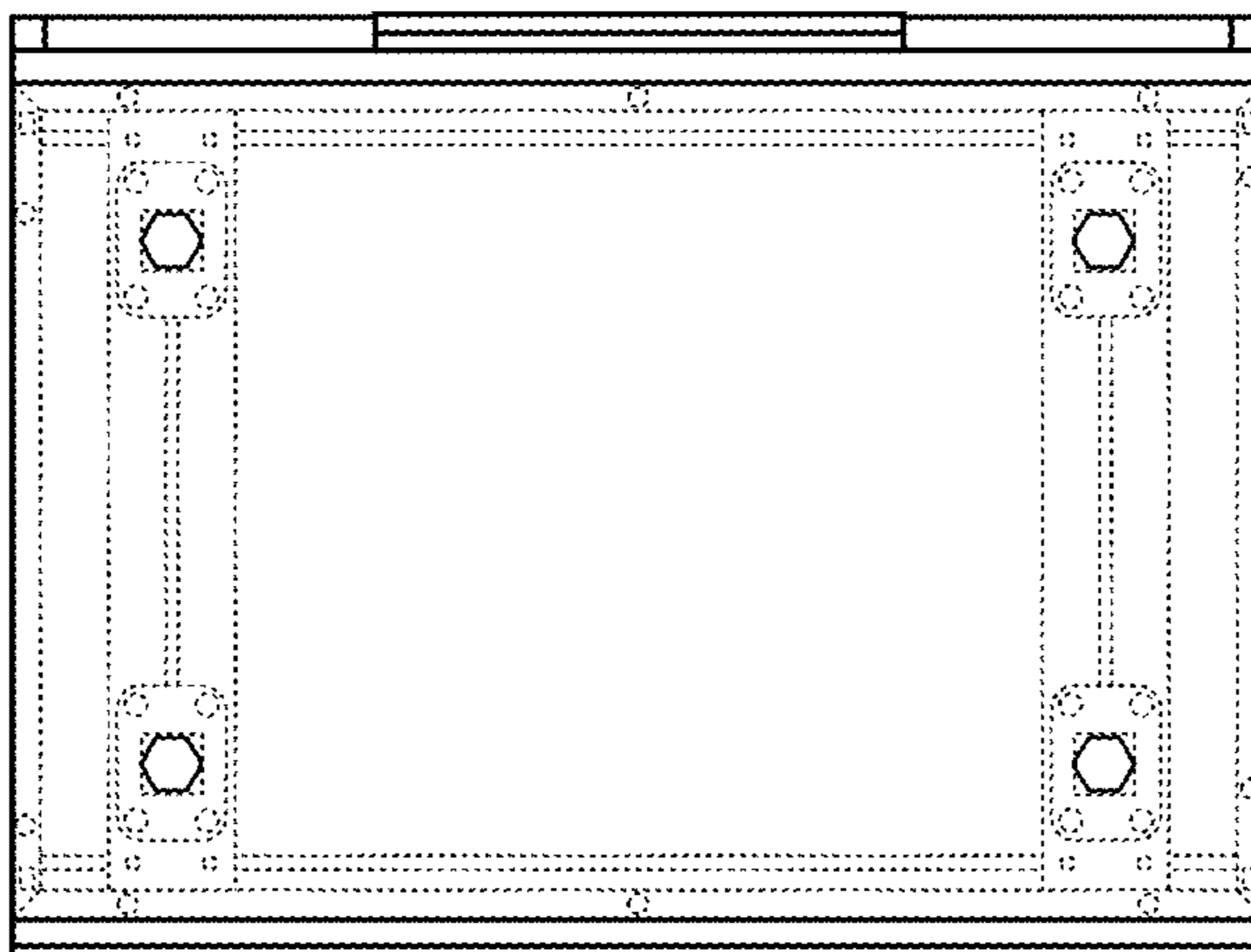


FIG. 8

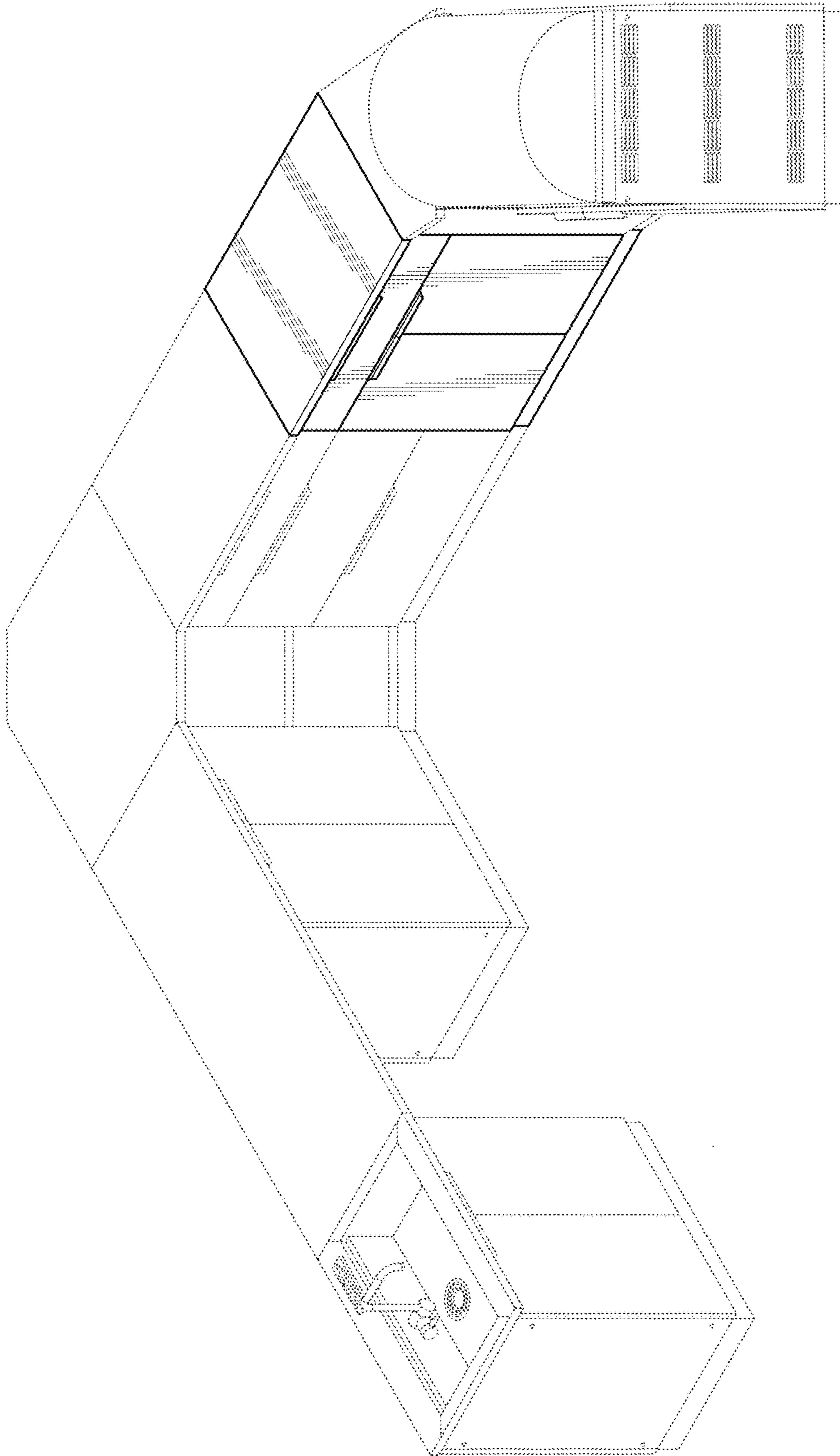


FIG. 9

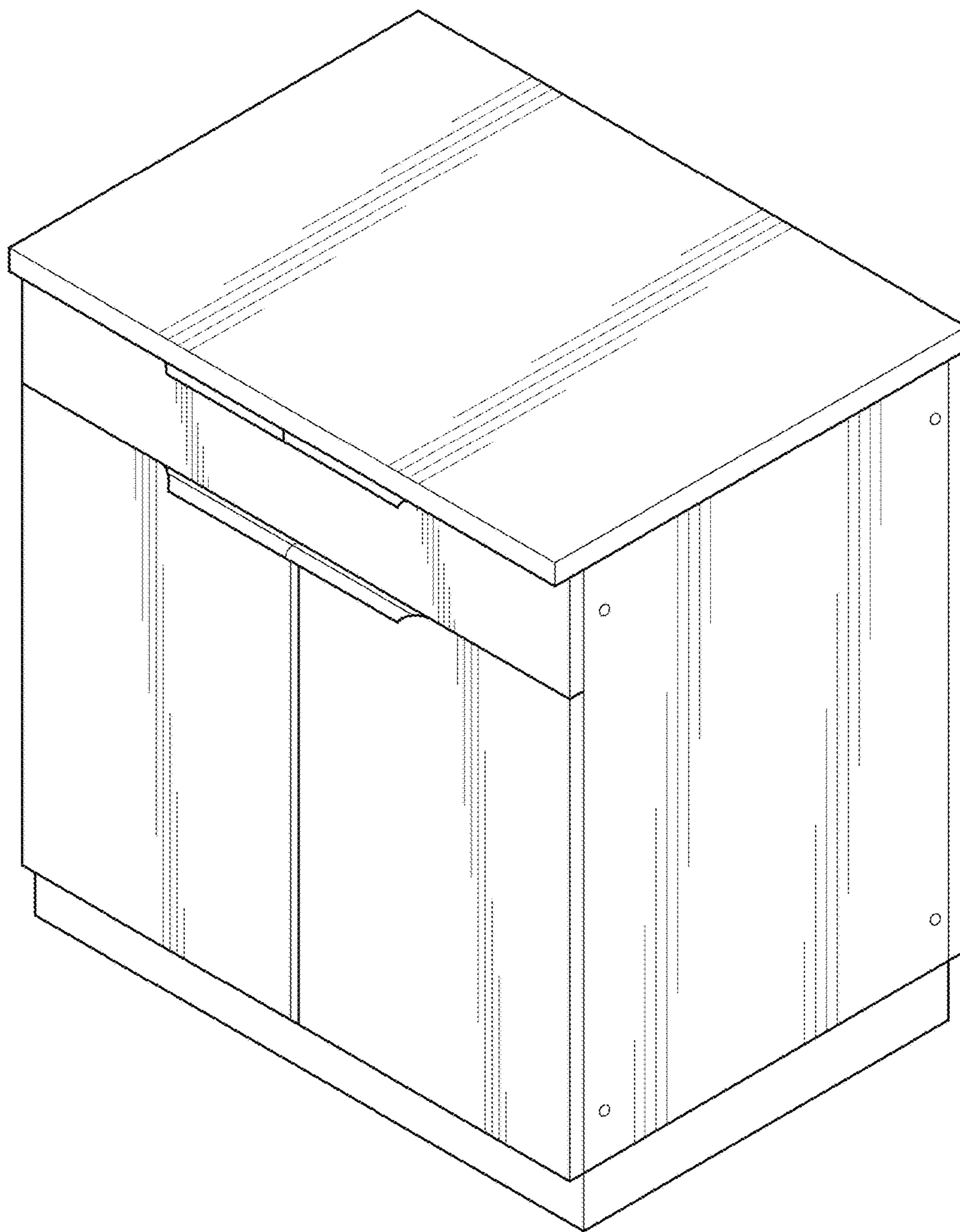


FIG. 10

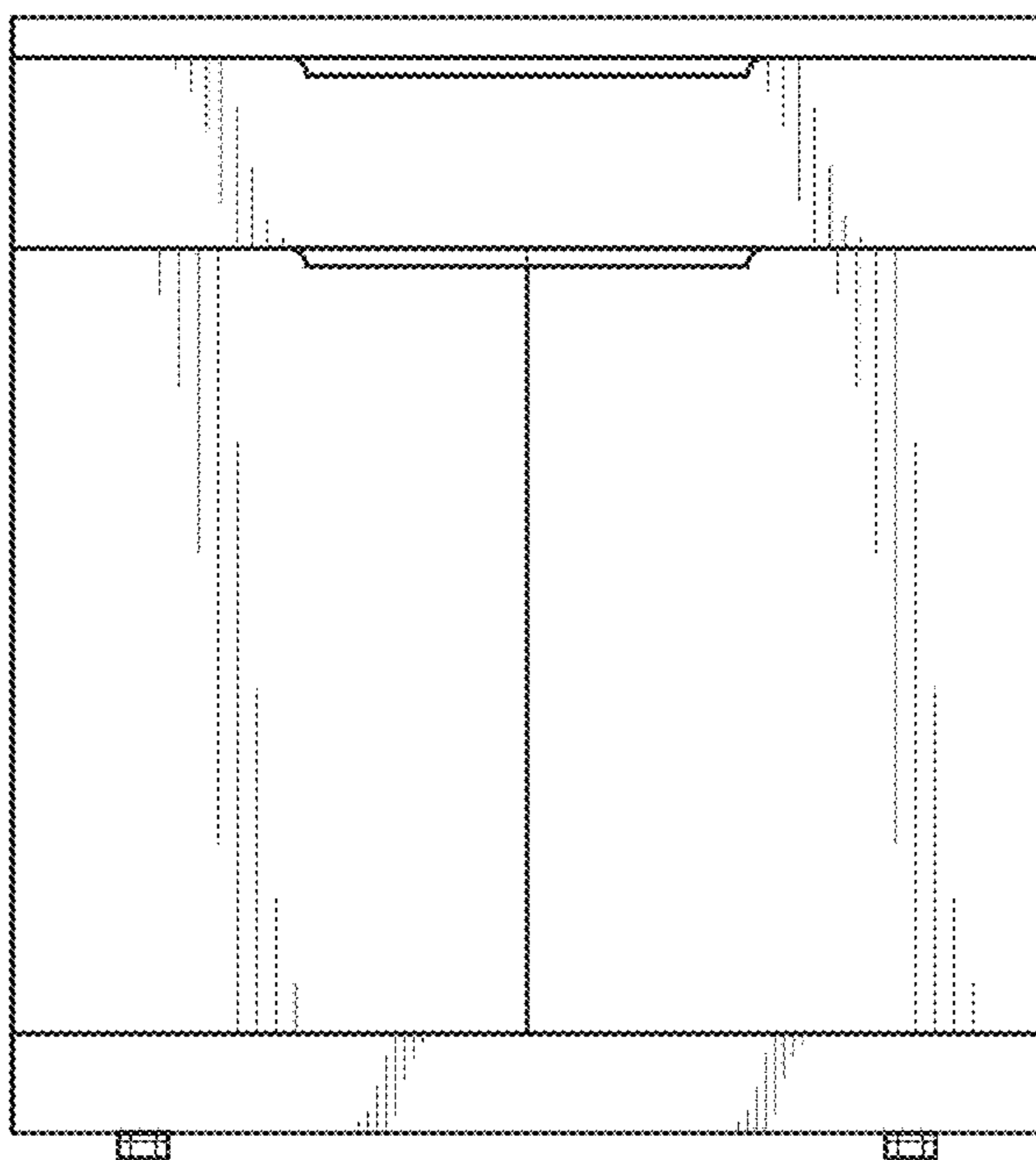


FIG. 11

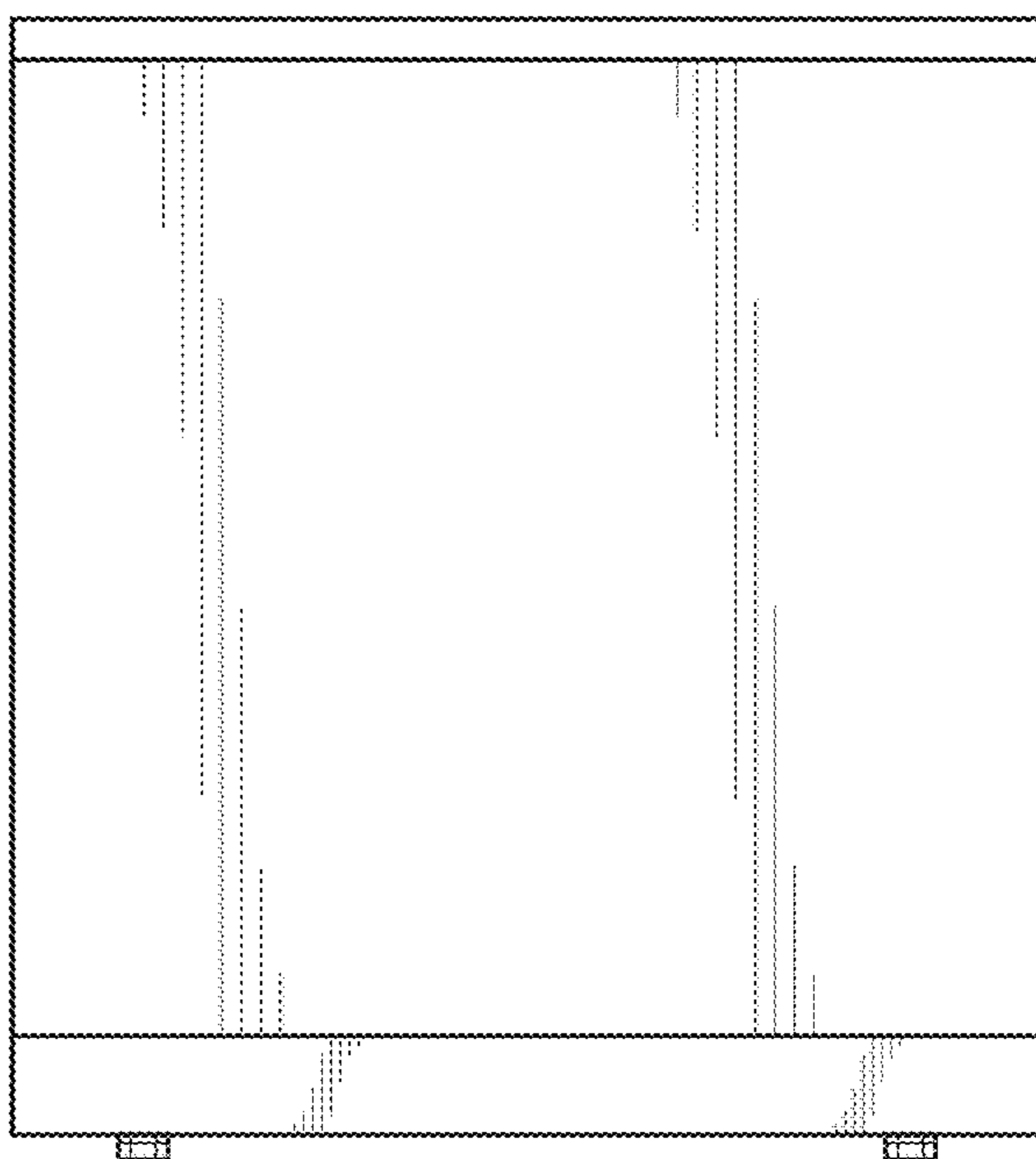


FIG. 12

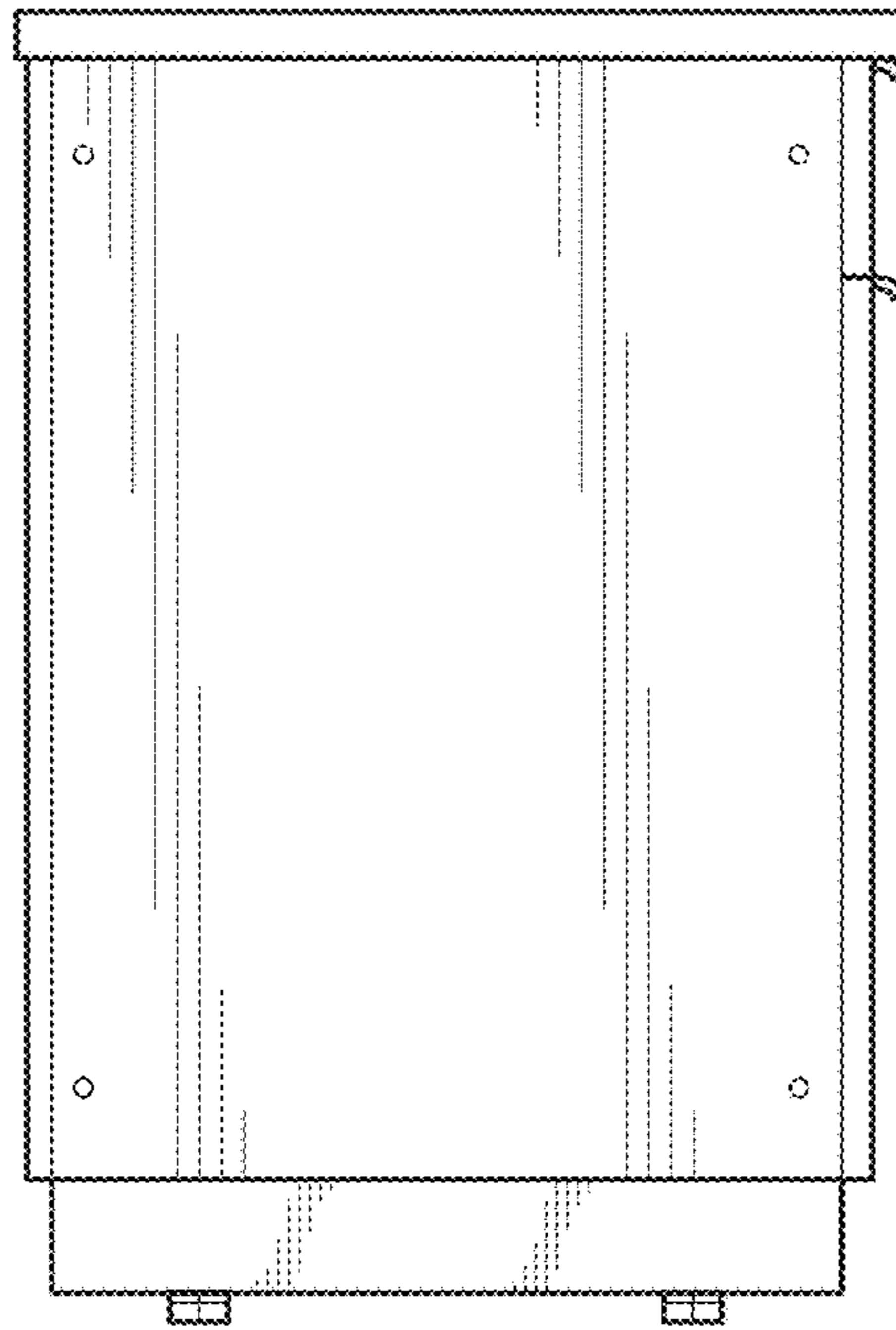


FIG. 13

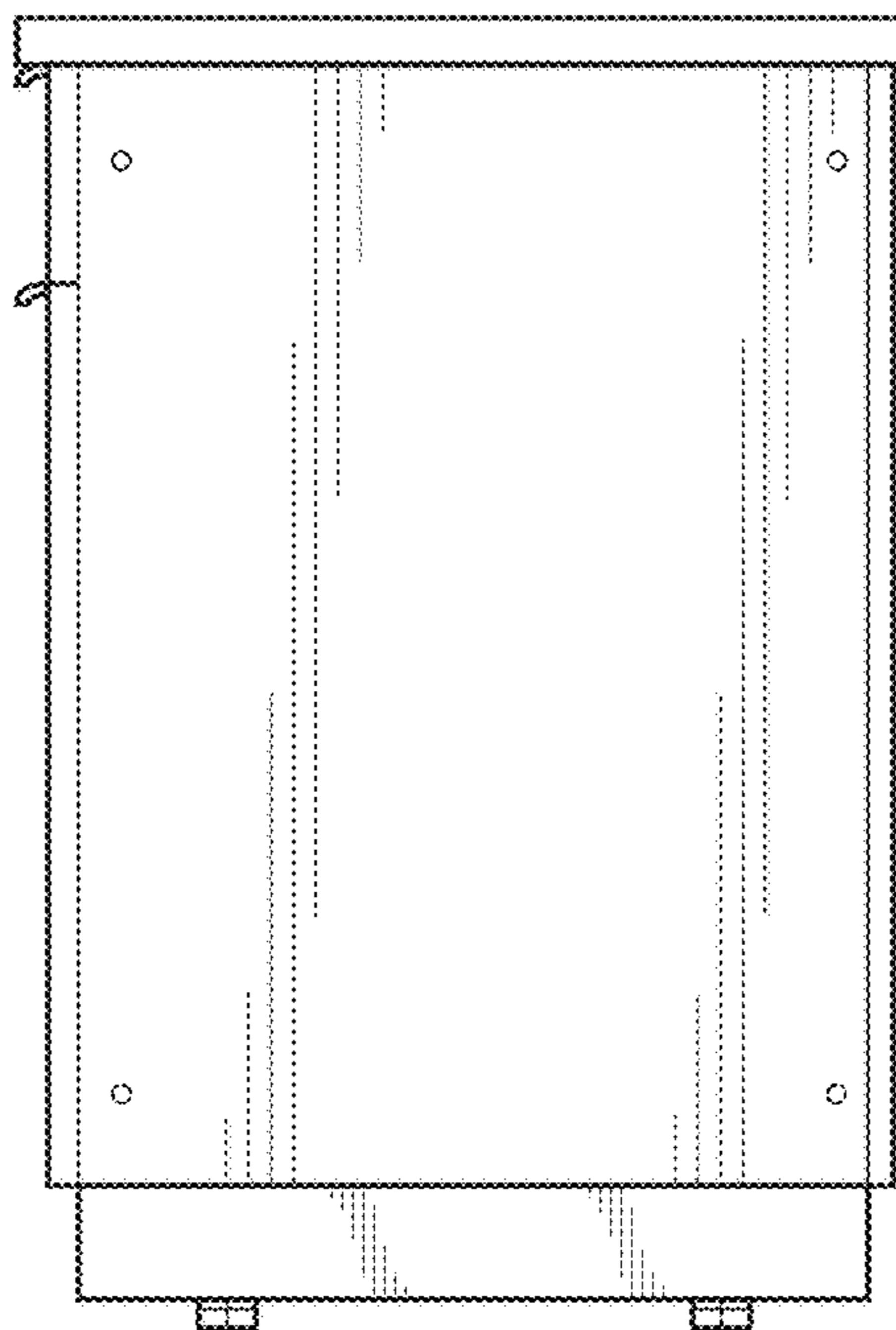


FIG. 14

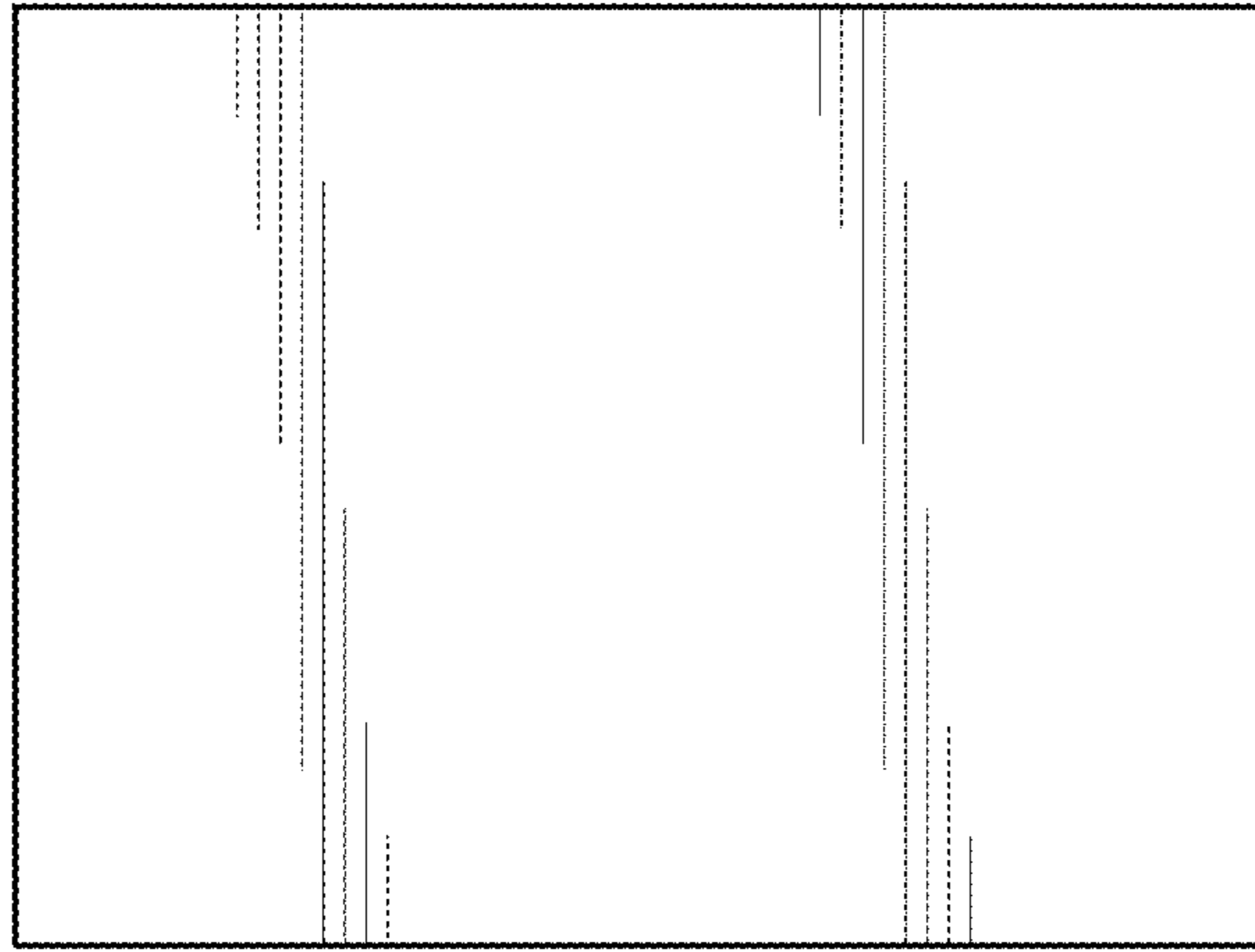


FIG. 15

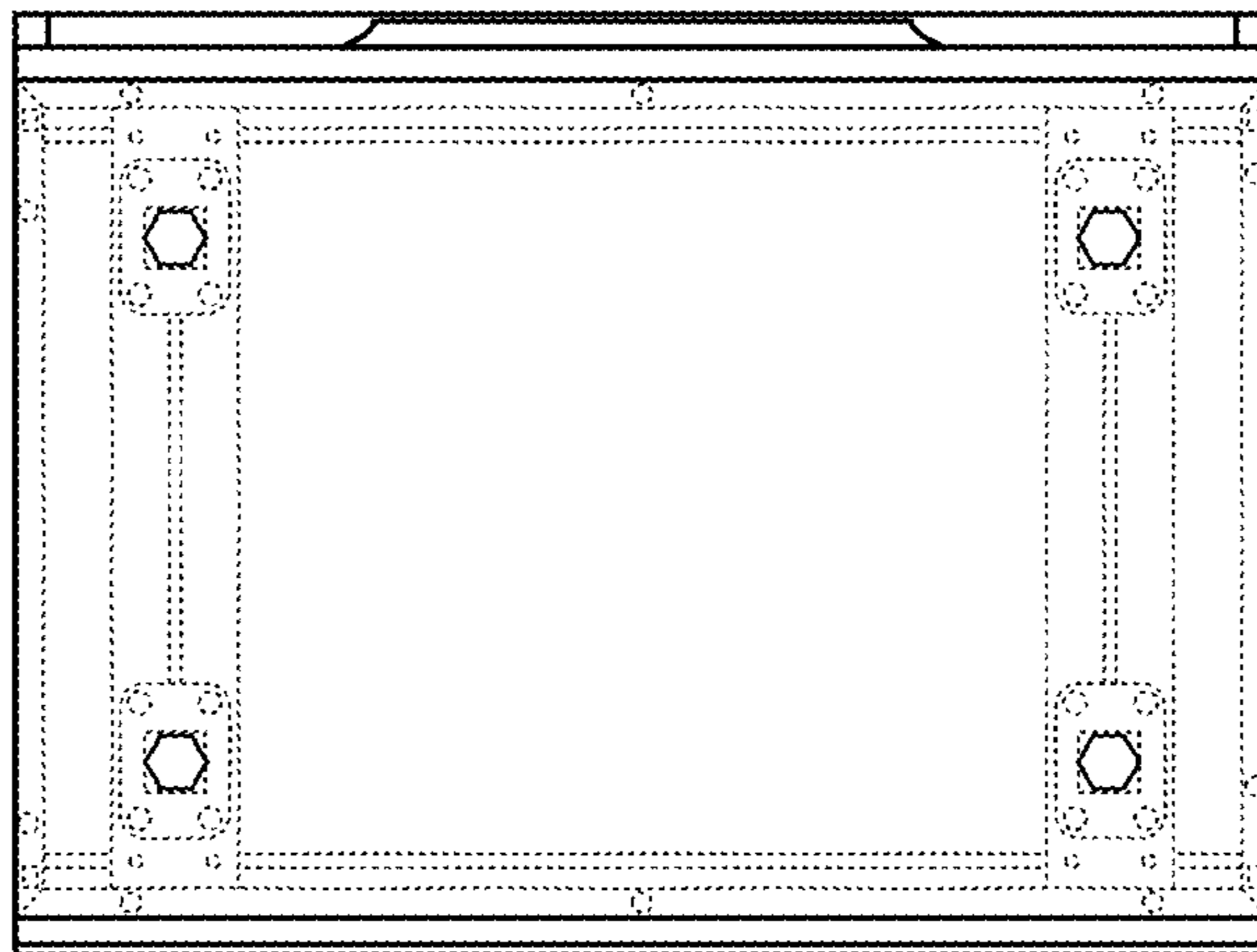


FIG. 16