



US00D837531S

(12) **United States Design Patent**
Hirokawa et al.

(10) **Patent No.:** **US D837,531 S**
(45) **Date of Patent:** **** Jan. 8, 2019**

(54) **MAKEUP BRUSH**

(71) Applicants: **Maria Hirokawa**, Tokyo (JP); **Kazushi Matsuura**, Tokyo (JP)

(72) Inventors: **Maria Hirokawa**, Tokyo (JP); **Kazushi Matsuura**, Tokyo (JP)

(73) Assignee: **SHISEIDO CO., LTD.**, Tokyo (JP)

(**) Term: **15 Years**

(21) Appl. No.: **29/611,453**

(22) Filed: **Jul. 21, 2017**

(51) **LOC (11) Cl.** **04-02**

(52) **U.S. Cl.**
USPC **D4/135**

(58) **Field of Classification Search**
USPC D4/130, 132, 133, 134, 135, 138, 199;
D28/7
CPC A46B 5/02; A46B 7/00; A46B 7/04; A46B
9/02; A46B 9/021; A46B 2200/1046
See application file for complete search history.

(56) **References Cited**

U.S. PATENT DOCUMENTS

D132,113 S *	4/1942	Clements	15/159.1
D228,532 S *	10/1973	Ray	D4/199
4,791,695 A *	12/1988	Kephart	A46B 9/02 101/372
D459,589 S *	7/2002	Farrage	D4/138
D749,858 S *	2/2016	Snook	D4/135
D749,859 S *	2/2016	Snook	D4/135
D798,063 S *	9/2017	Grund	D4/120

D802,936 S *	11/2017	Nicoline	D4/135
D802,937 S *	11/2017	Nicoline	D4/135
9,986,817 B1 *	6/2018	Wesley	A46B 9/026
D825,193 S *	8/2018	Nicoline	D4/135

FOREIGN PATENT DOCUMENTS

CN	304389643	* 12/2017
CN	304501939	* 2/2018
EM	004049740-0001	* 8/2017
EM	004049740-0002	* 8/2017
EM	004049740-0005	* 8/2017
EM	004049740-0006	* 8/2017
EM	004127355-0001	* 8/2017
KR	300903604.0000	* 4/2017
KR	300953093.0000	* 4/2018

* cited by examiner

Primary Examiner — Karen E Eldridge Powers
(74) *Attorney, Agent, or Firm* — Manabu Kanesaka

(57) **CLAIM**

The ornamental design for makeup brush, as shown and described.

DESCRIPTION

FIG. 1 is a perspective view of a makeup brush showing our new design;
FIG. 2 is a front elevation view thereof;
FIG. 3 is a rear elevation view thereof;
FIG. 4 is a top plan view thereof;
FIG. 5 is a bottom plan view thereof;
FIG. 6 is a left side elevation view thereof; and,
FIG. 7 is a right side elevation view thereof.

1 Claim, 7 Drawing Sheets

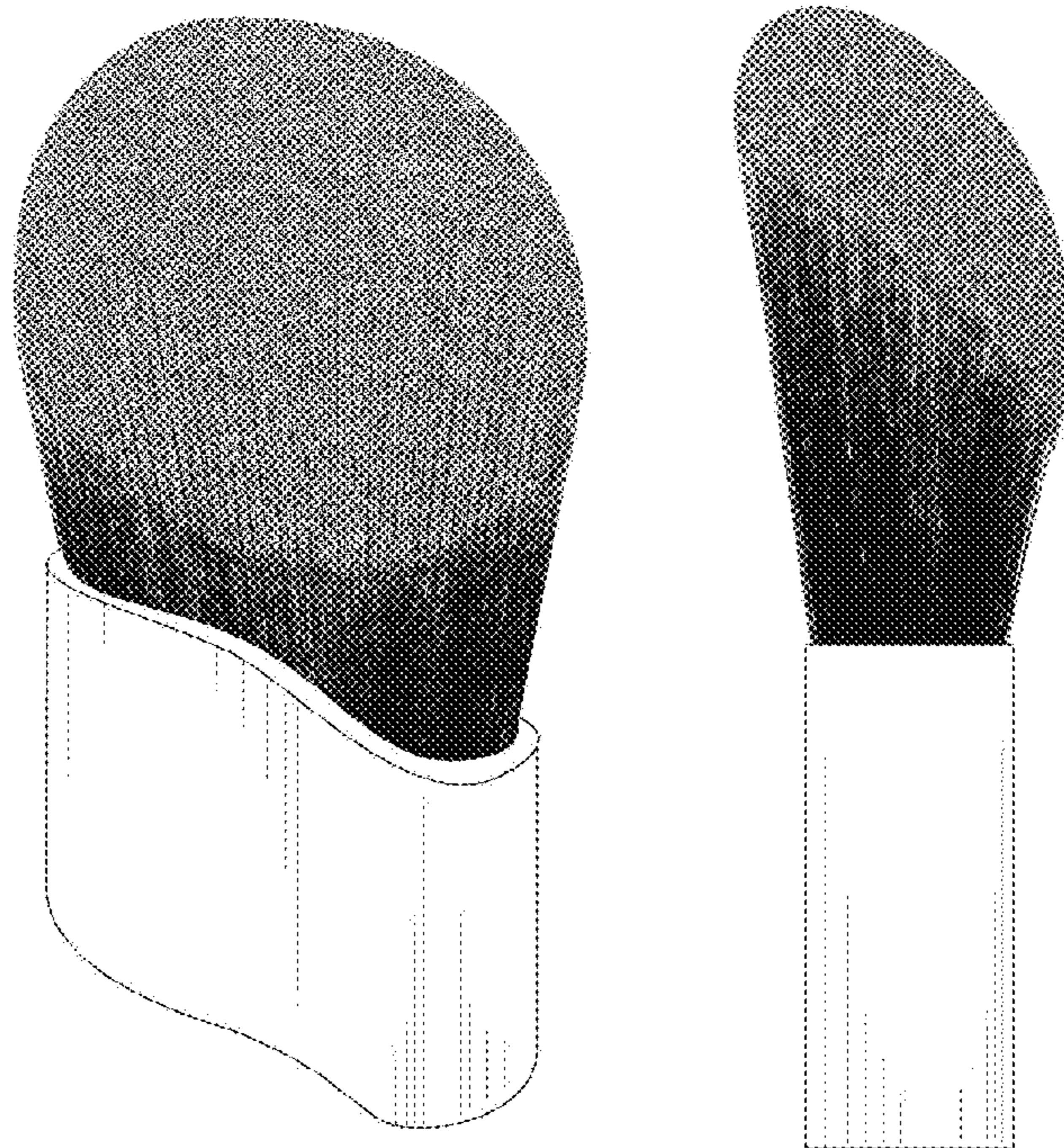


Fig. 1

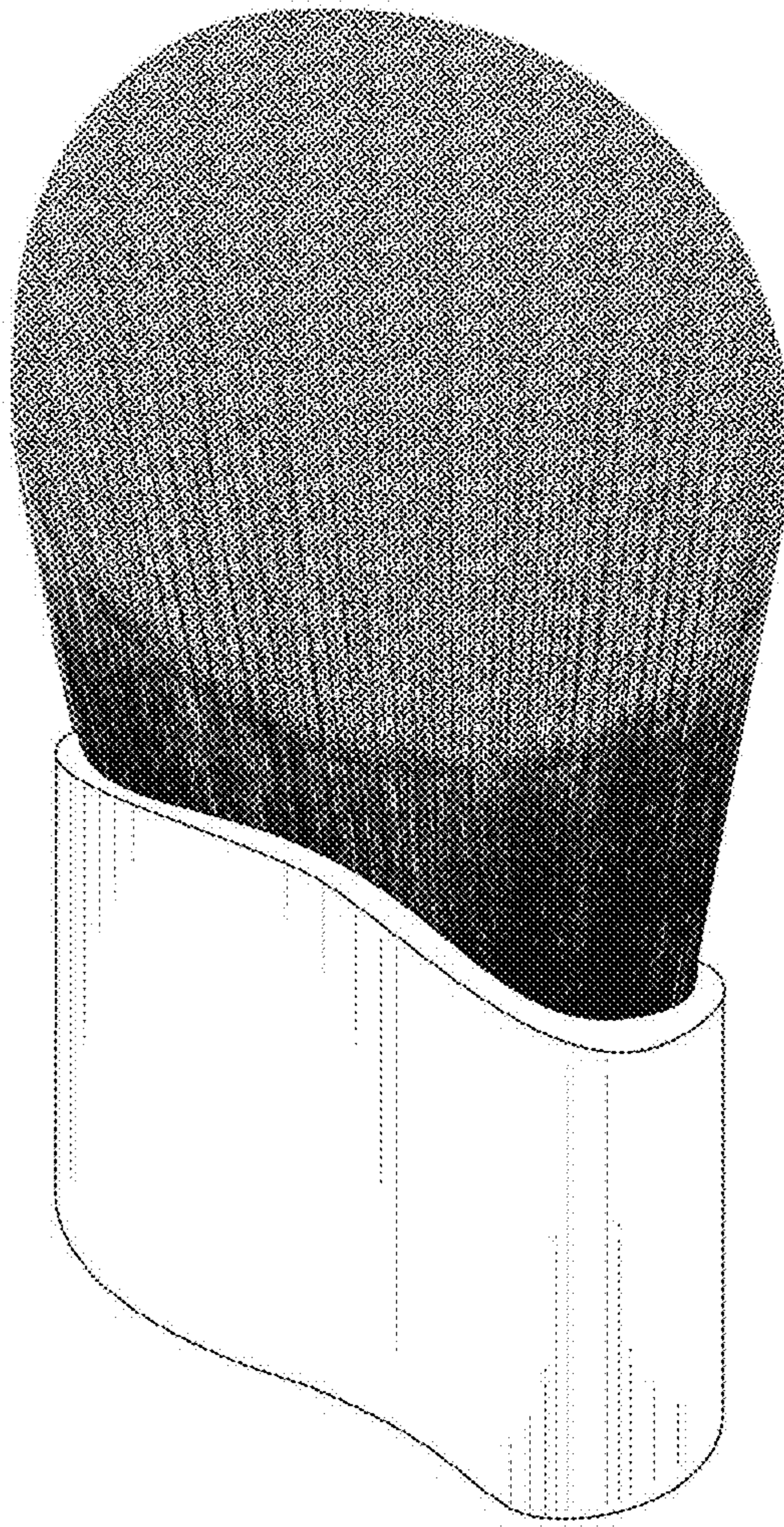


Fig. 2

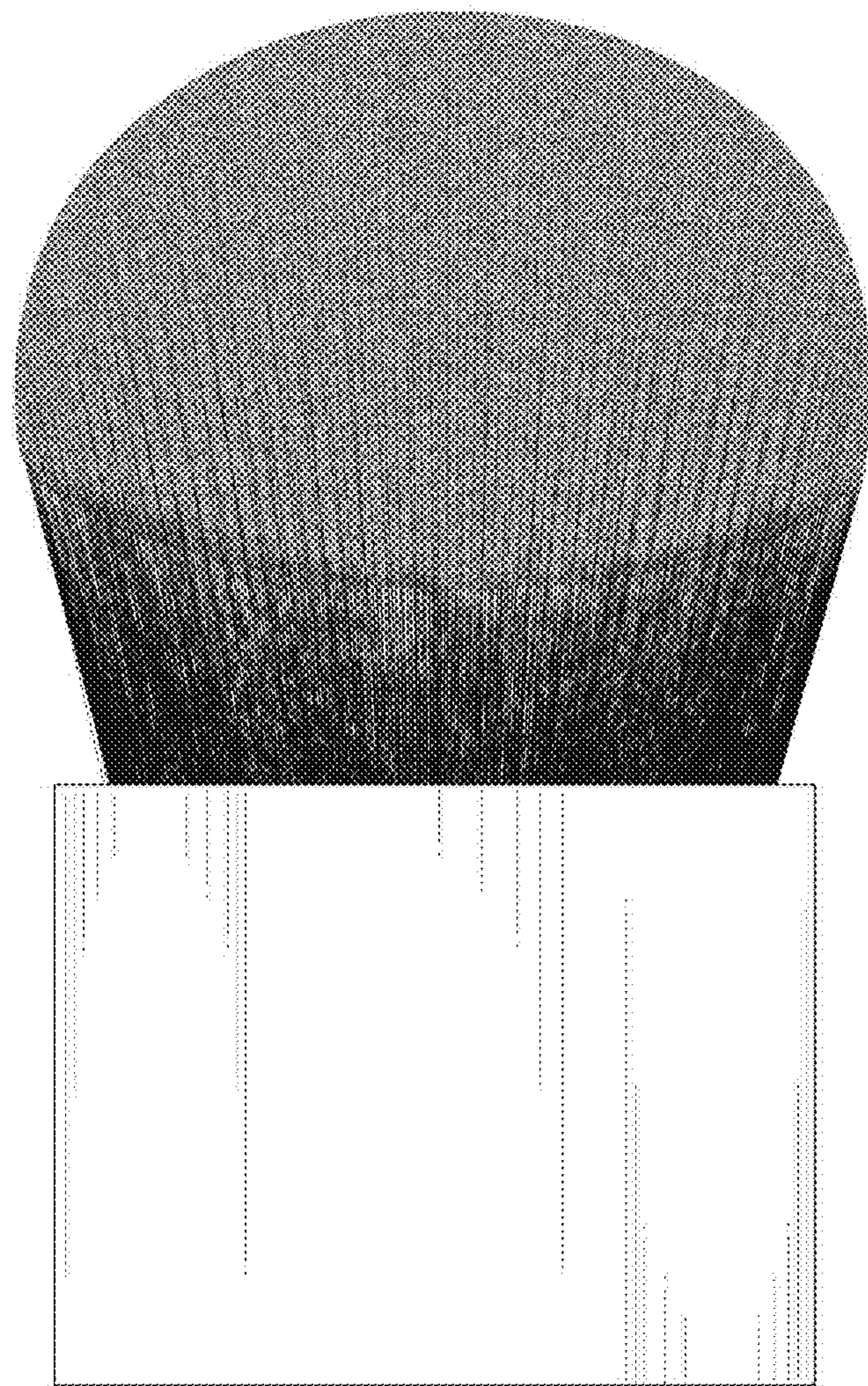


Fig. 3

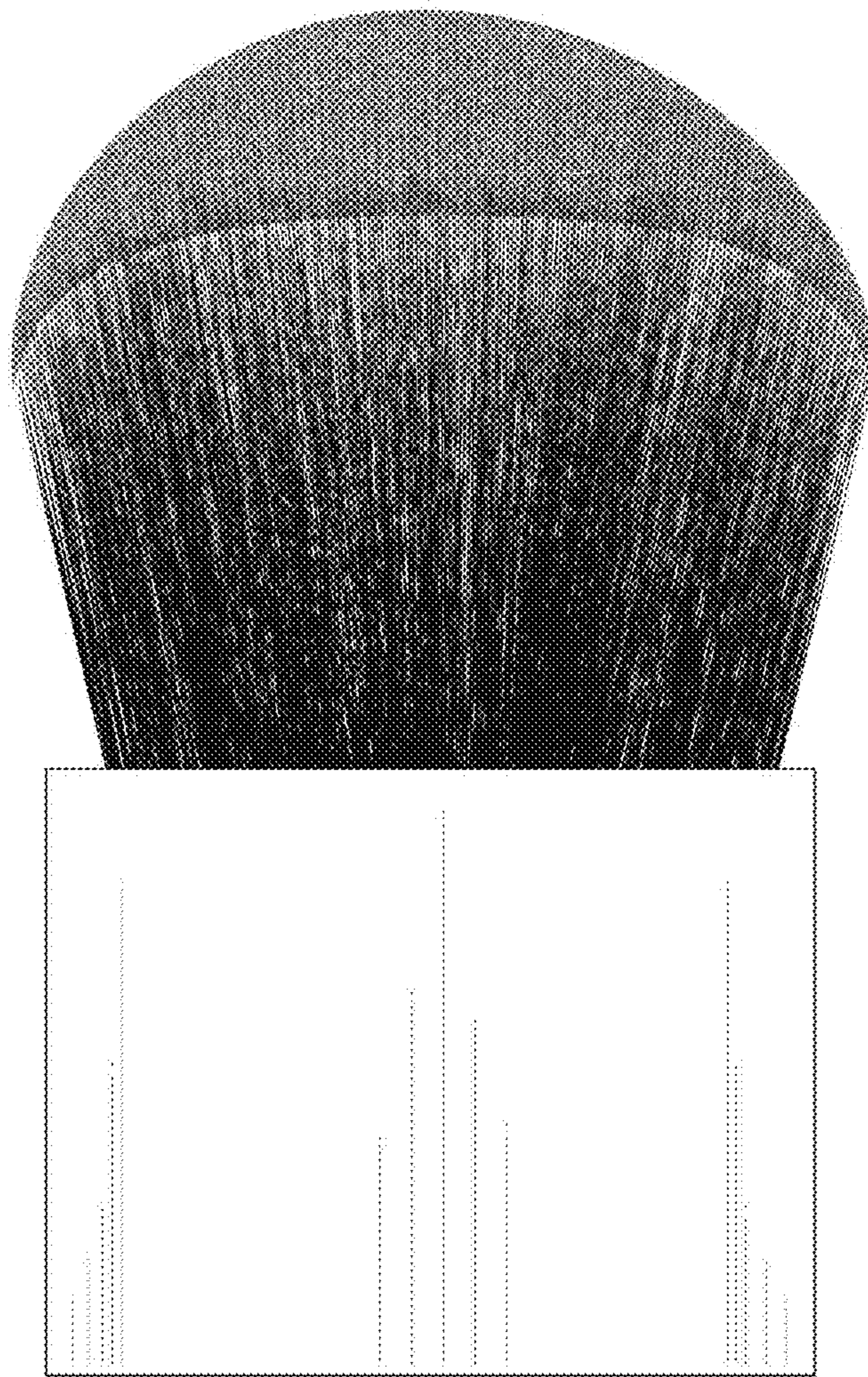


Fig. 4

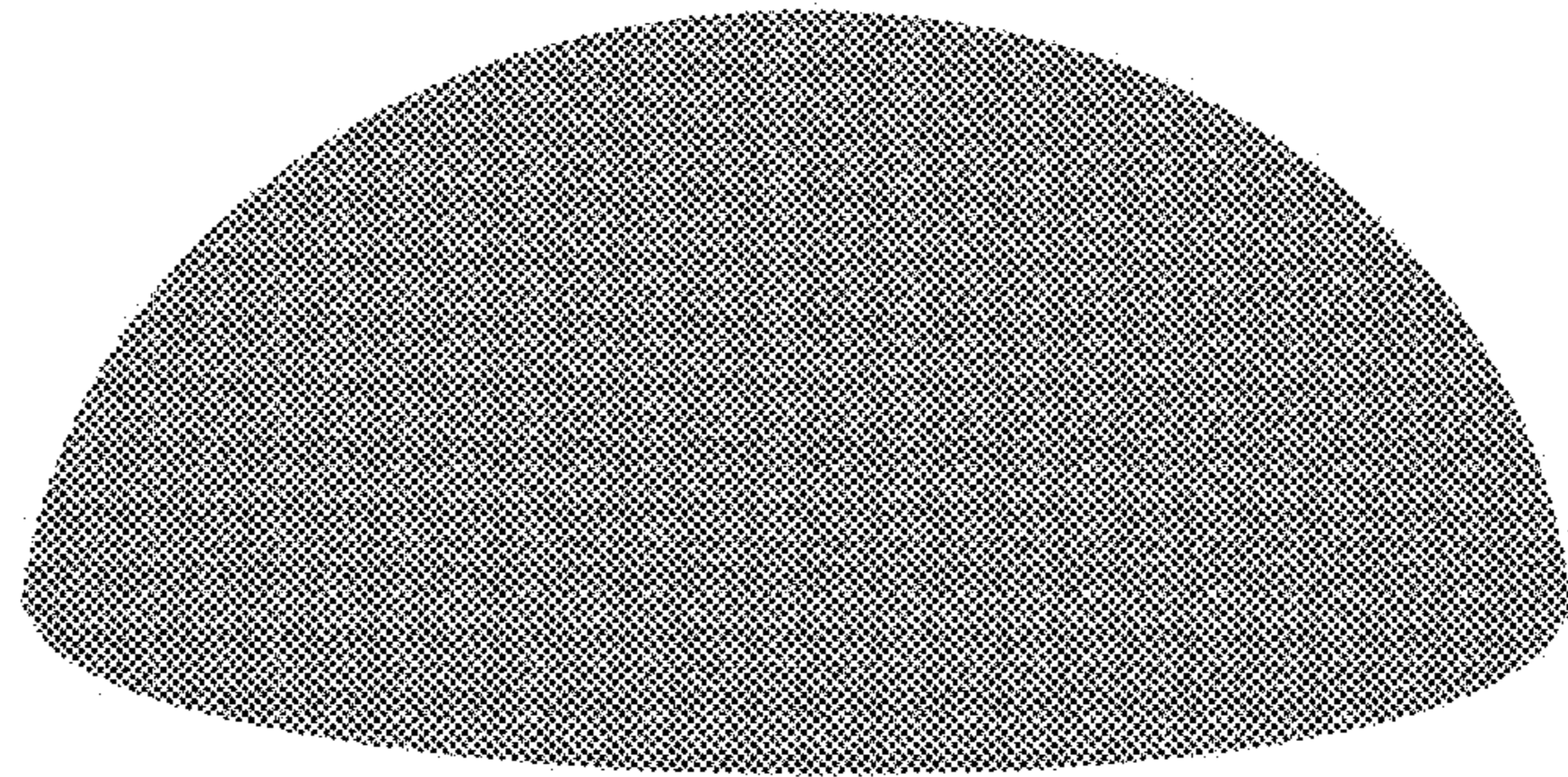


Fig. 5

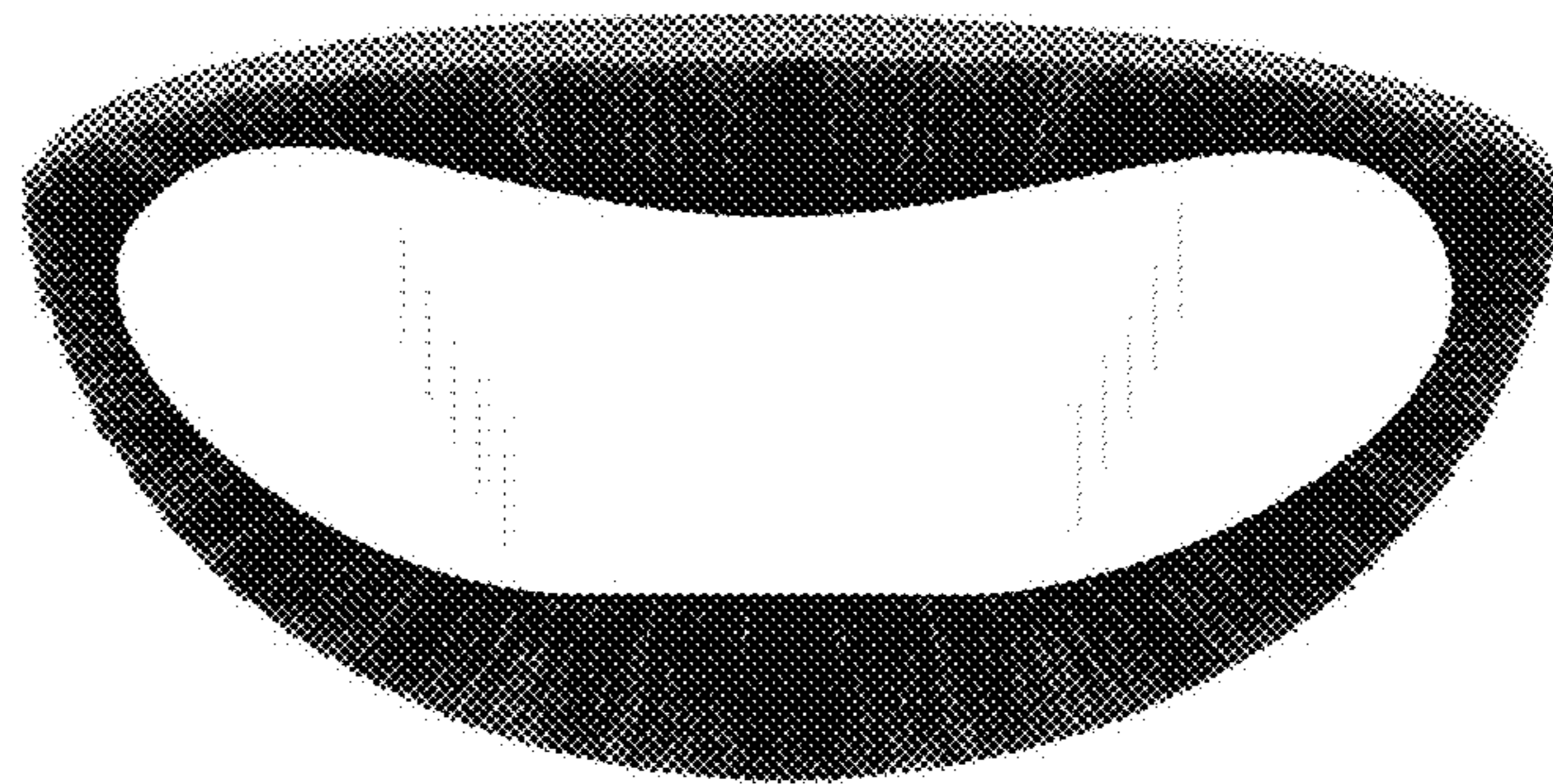


Fig. 6

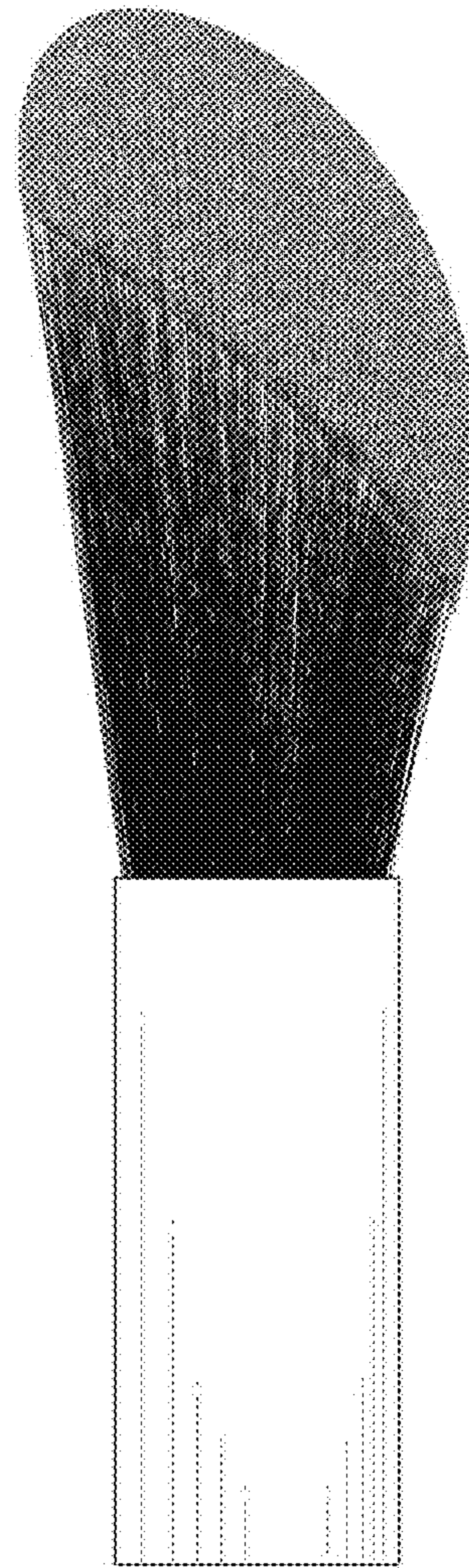


Fig. 7

