



US00D837530S

(12) **United States Design Patent** (10) **Patent No.:** **US D837,530 S**
Renner et al. (45) **Date of Patent:** **** Jan. 8, 2019**

(54) **BRUSH**
(71) Applicant: **3M INNOVATIVE PROPERTIES COMPANY**, St. Paul, MN (US)
(72) Inventors: **Megan E. Renner**, St. Paul, MN (US); **Matthew D. Chaffee**, Minneapolis, MN (US); **Mark W. Baldwin**, Woodbury, MN (US); **Michael C. Mooney**, Coon Rapids, MN (US)
(73) Assignee: **3M INNOVATIVE PROPERTIES COMPANY**, St. Paul, MN (US)
(**) Term: **15 Years**
(21) Appl. No.: **29/621,590**
(22) Filed: **Oct. 10, 2017**
(51) **LOC (11) Cl.** **04-02**
(52) **U.S. Cl.**
USPC **D4/128**
(58) **Field of Classification Search**
USPC D4/128, 129, 131, 136, 138, 108, 109, D4/119; D32/35, 51; 15/104.5, 104.16, 15/104.2, 104.31, 104.32, 164, 165, 206; D28/65; D7/682; 452/298, 458
CPC A46B 7/026; A46B 5/005; A46B 17/04; A46B 2200/1046
See application file for complete search history.

D581,676 S * 12/2008 Libman D4/128
D624,755 S * 10/2010 Luis D4/111
D647,703 S * 11/2011 Li D4/128
D693,128 S * 11/2013 Williams D4/128
D694,018 S * 11/2013 Williams D4/128
D740,569 S * 10/2015 Donald D4/128
D801,700 S * 11/2017 Kauss D4/128
D808,660 S * 1/2018 Kresge D4/128
D817,004 S * 5/2018 Appelbaum D4/114
D821,756 S * 7/2018 Adams D4/128

FOREIGN PATENT DOCUMENTS

CN 304050635 2/2017
DE 40500362-0004 10/2005
GB 4012097 8/2009
JP 1289266 12/2006
KR 300623198.0000 12/2011

* cited by examiner

Primary Examiner — Austin Murphy
(74) *Attorney, Agent, or Firm* — Irina Hass

(57) **CLAIM**

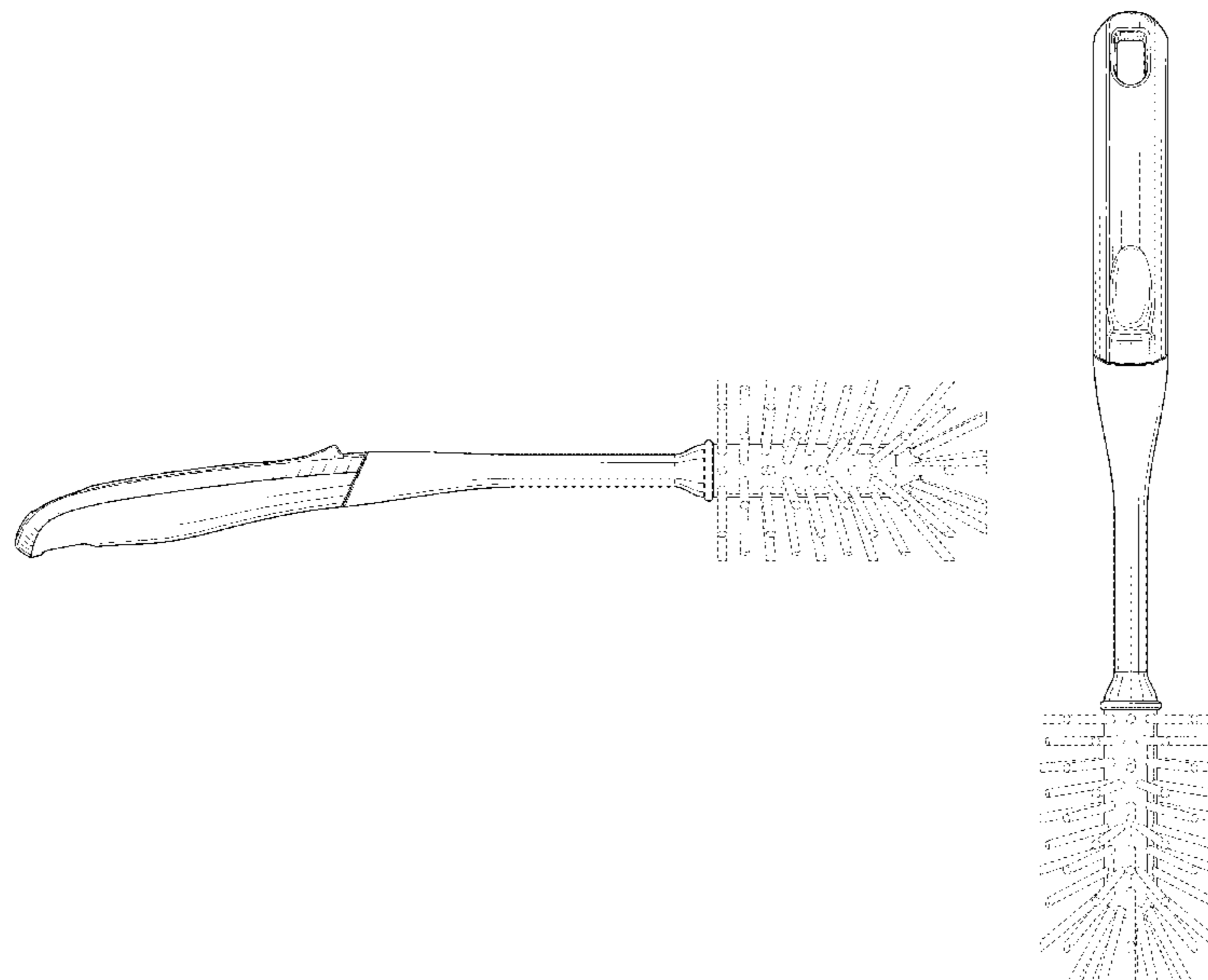
The ornamental design for a brush, as shown and described.

DESCRIPTION

FIG. 1 is a perspective view showing the new design for a brush;
FIG. 2 is a right side view thereof;
FIG. 3 is a left side view thereof;
FIG. 4 is a front view thereof;
FIG. 5 is a rear view thereof;
FIG. 6 is a top view thereof; and,
FIG. 7 is a bottom view thereof.
The portions of the brush in FIGS. 1-7 shown in broken lines are included to show features that form no part of the claimed design.

1 Claim, 4 Drawing Sheets

(56) **References Cited**
U.S. PATENT DOCUMENTS
D489,903 S * 5/2004 Dunn D4/128
D512,569 S 12/2005 Berti
7,017,222 B2 * 3/2006 Dunn A46B 5/0095
15/106
D524,549 S * 7/2006 Ajluni D4/128
D539,040 S 3/2007 Hay



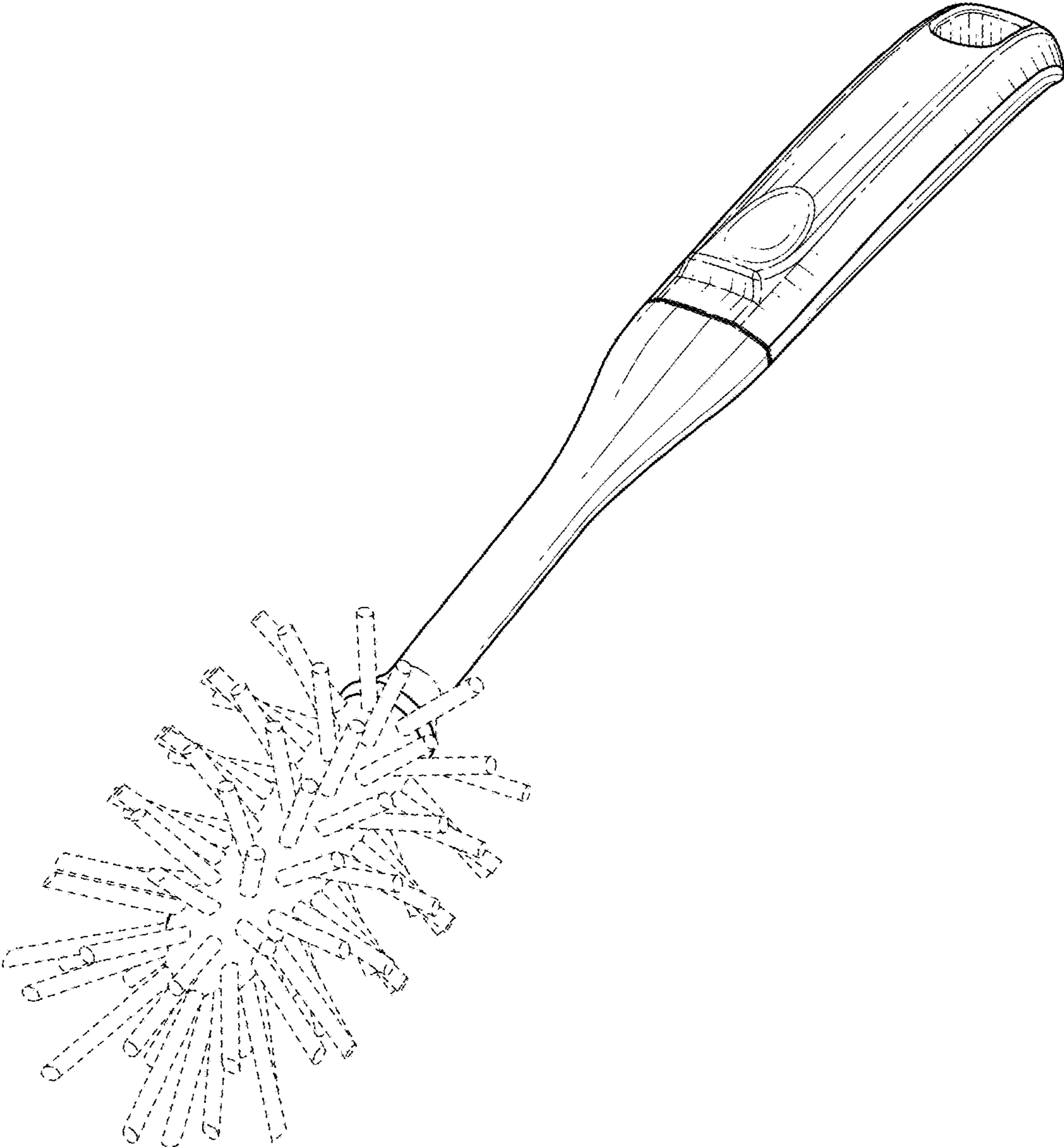


FIG. 1

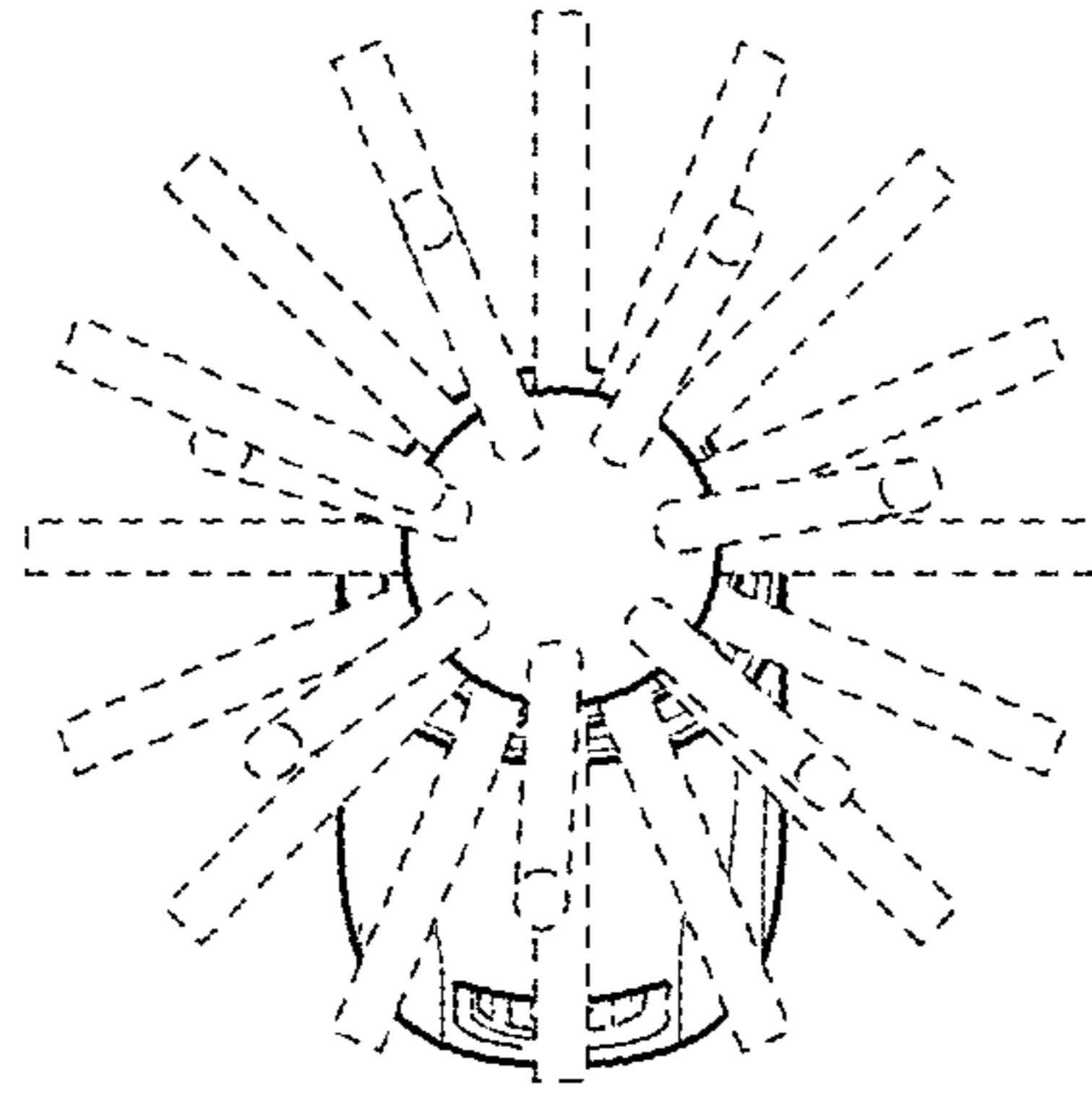


FIG. 2

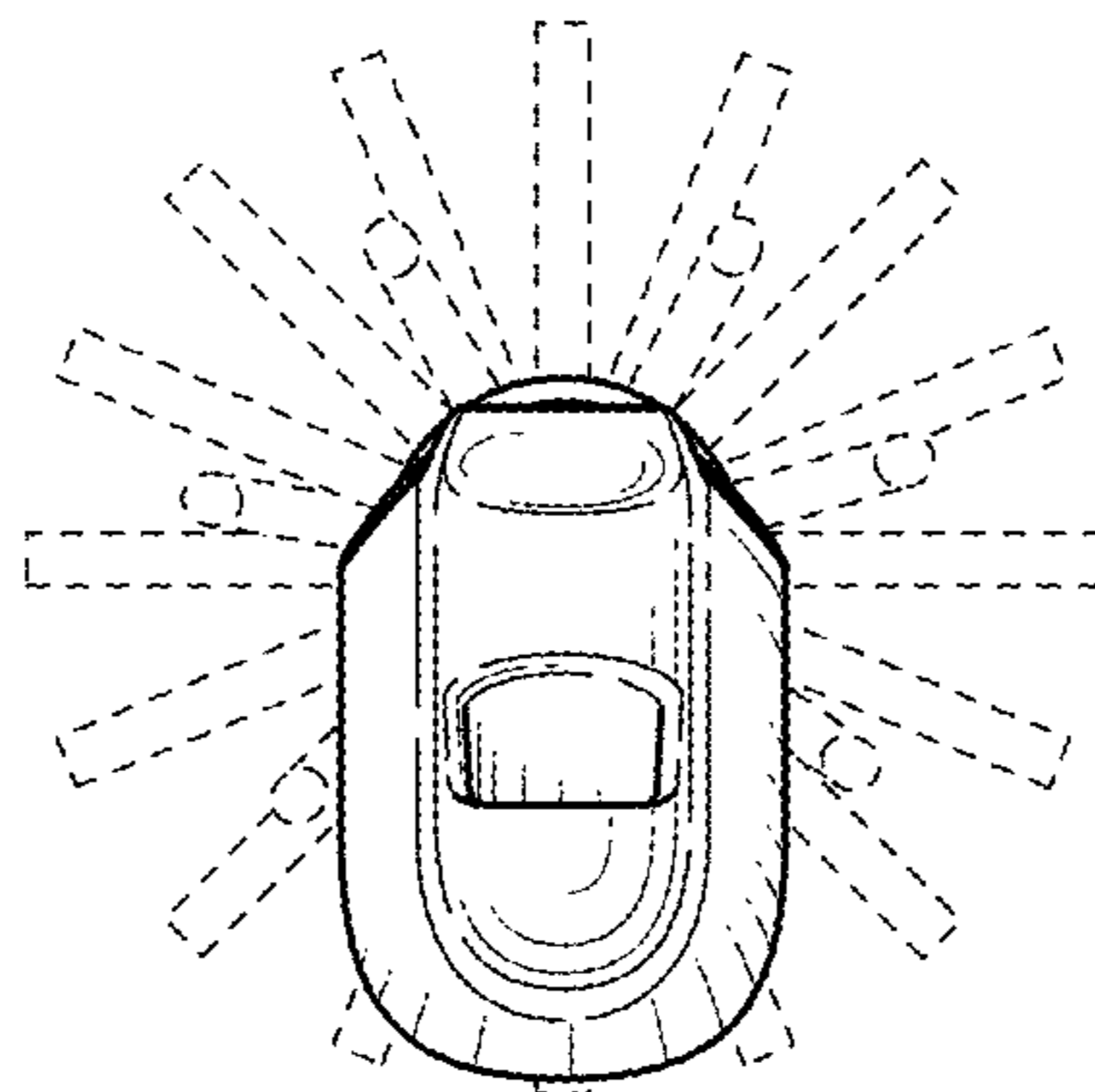


FIG. 3

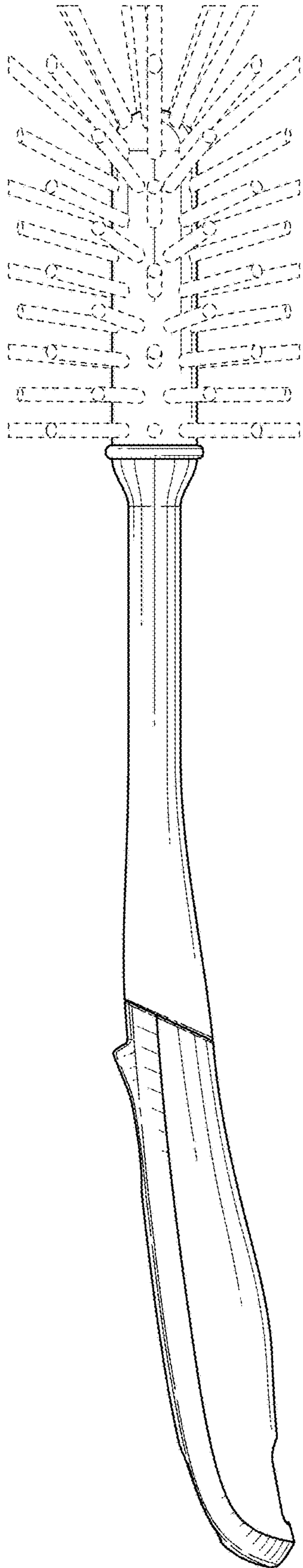


FIG. 4

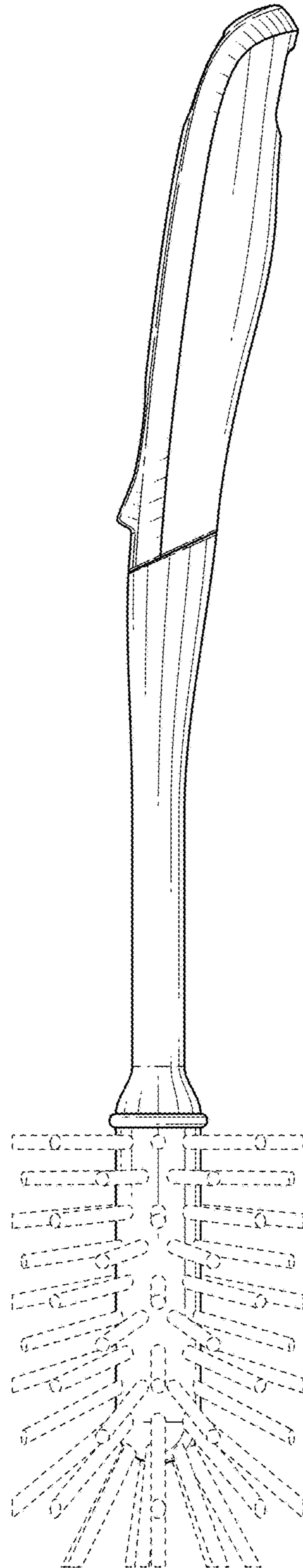


FIG. 5

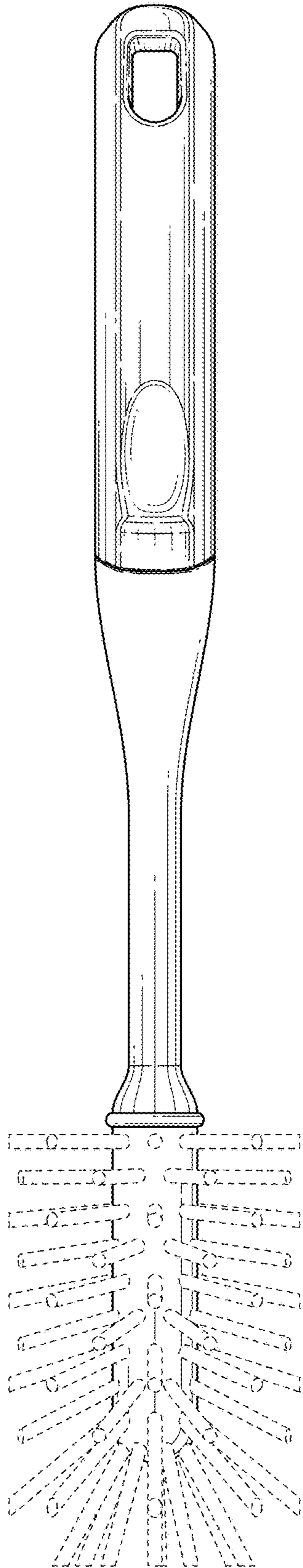


FIG. 6

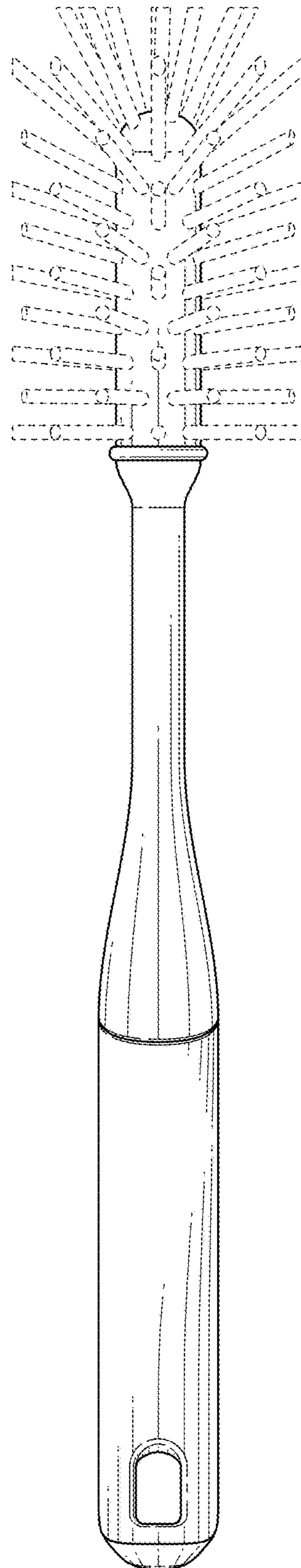


FIG. 7