

US00D837529S

(12) **United States Design Patent** (10) **Patent No.:** **US D837,529 S**  
**Hoch et al.** (45) **Date of Patent:** **\*\* Jan. 8, 2019**

(54) **CLEANING DEVICE**  
(71) Applicant: **HOCH SOLUTIONS LLC**, Bend, OR (US)  
(72) Inventors: **Charles V. Hoch**, Bend, OR (US); **Bruce A. Hoch**, Bend, OR (US)  
(73) Assignee: **Hoch Solutions LLC**, Bend, OR (US)  
(\*\*) Term: **15 Years**  
(21) Appl. No.: **29/639,884**  
(22) Filed: **Mar. 9, 2018**  
(51) **LOC (11) Cl.** ..... **04-01**  
(52) **U.S. Cl.**  
USPC ..... **D4/114**  
(58) **Field of Classification Search**  
USPC ..... D23/223-230, 213, 239, 243; D32/45, D32/52, 75; D4/114, 115, 130  
CPC ... A45D 19/02; A45D 34/042; A46B 11/0072  
See application file for complete search history.

6,270,278 B1 8/2001 Mauro  
D456,607 S 5/2002 Carlucci et al.  
6,598,256 B2 7/2003 Theriault  
D480,216 S 10/2003 Weihrauch  
(Continued)

**OTHER PUBLICATIONS**

American Standard, Huntley SelectFlo Scrub Brush for Kitchen Faucet (2-Pack)—1660403.007—The Home Depot, [https://www.homedepot.com/p/American-Standard-Huntley-SelectFlo-Scrub-Brush-for-Kitchen-Faucet-2-Pack-1660403-007/206090739?cm\\_mmc=Shopping%7cT...](https://www.homedepot.com/p/American-Standard-Huntley-SelectFlo-Scrub-Brush-for-Kitchen-Faucet-2-Pack-1660403-007/206090739?cm_mmc=Shopping%7cT...), Jul. 31, 2018, 3 pages.  
(Continued)

*Primary Examiner* — Michelle E. Wilson  
(74) *Attorney, Agent, or Firm* — Dorsey & Whitney LLP

(57) **CLAIM**

We claim the ornamental design for a cleaning device, as shown and described.

**DESCRIPTION**

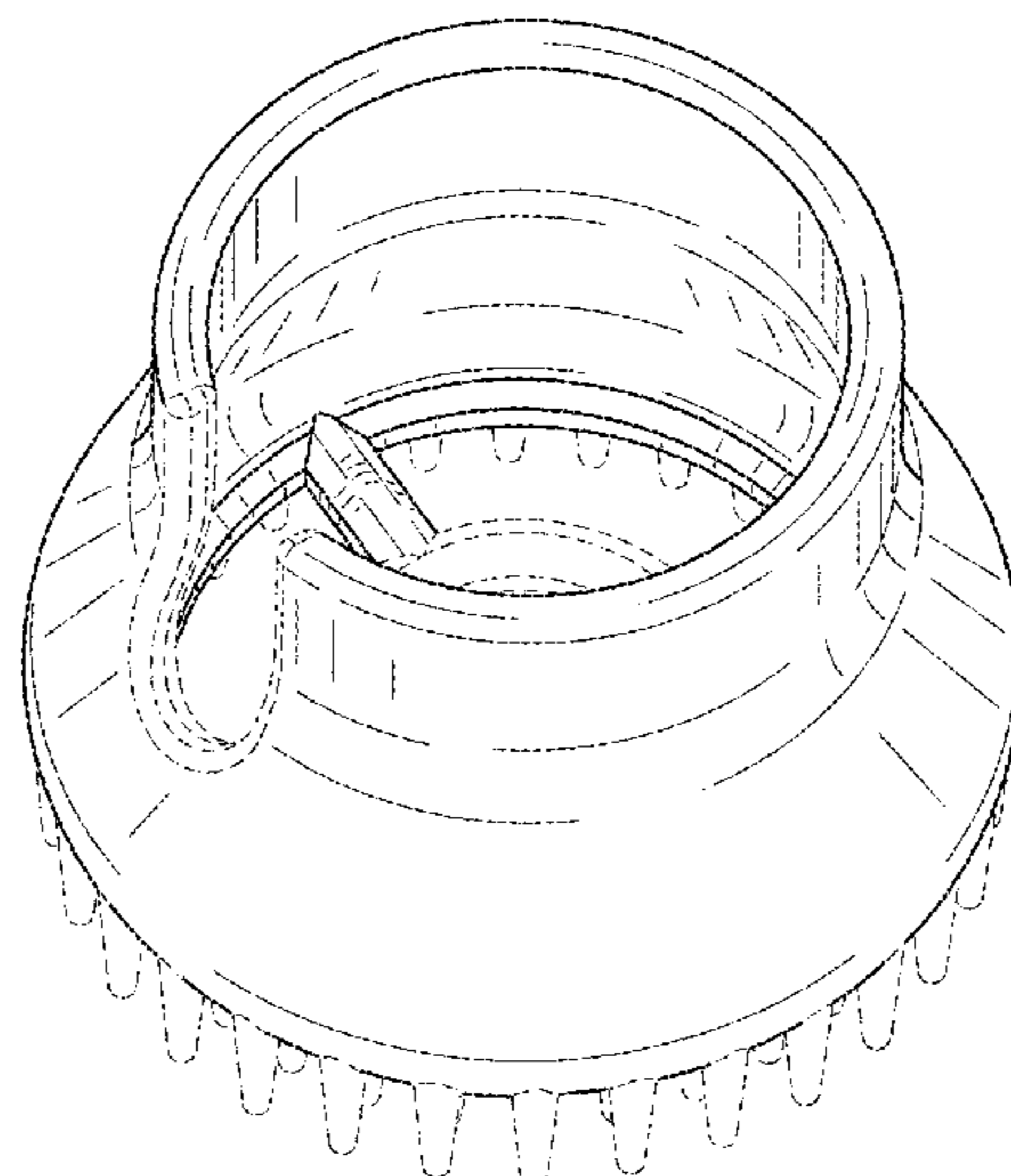
FIG. 1 is a top isometric view of a cleaning device.  
FIG. 2 is a bottom isometric view of the cleaning device of FIG. 1.  
FIG. 3 is a rear elevation view of the cleaning device of FIG. 1.  
FIG. 4 is a front elevation view of the cleaning device of FIG. 1.  
FIG. 5 is a right side elevation view of the cleaning device of FIG. 1.  
FIG. 6 is a left side elevation view of the cleaning device of FIG. 1.  
FIG. 7 is a top plan view of the cleaning device of FIG. 1; and,  
FIG. 8 is a bottom plan view of the cleaning device of FIG. 1.  
The broken lines in the drawings depict portions of the cleaning device that form no part of the claimed design.

(56) **References Cited**

**U.S. PATENT DOCUMENTS**

1,051,328 A	1/1913	Harnes et al.	
2,807,816 A	10/1957	Obrien	
D262,672 S	1/1982	Iten et al.	
D287,668 S	1/1987	Kelly et al.	
D295,921 S	5/1988	Roman et al.	
4,812,070 A	3/1989	Marty	
4,974,984 A *	12/1990	Kafkis	A45D 34/042
			401/186
D317,988 S *	7/1991	Nicholson	D23/213
D325,472 S	4/1992	Premack	
D326,019 S *	5/1992	Spangler	401/289
5,316,401 A	5/1994	Sears	
D369,026 S	4/1996	Furbert et al.	
D401,071 S	11/1998	Laster	
6,035,477 A	3/2000	Robert	
D438,708 S	3/2001	Weiner	

**1 Claim, 6 Drawing Sheets**



(56)

References Cited

U.S. PATENT DOCUMENTS

D510,863 S \* 10/2005 Juhng ..... D9/436  
 D538,986 S \* 3/2007 Ingram ..... D32/32  
 D608,097 S 1/2010 Zanjani et al.  
 D624,717 S \* 9/2010 Roschi ..... D32/32  
 D629,981 S \* 12/2010 Roschi ..... D32/32  
 D658,832 S \* 5/2012 Eden ..... D32/32  
 D662,368 S \* 6/2012 Zemel ..... D7/669  
 D668,052 S \* 10/2012 Maxwell ..... D4/114  
 8,342,768 B1 1/2013 Johnston et al.  
 D699,037 S 2/2014 Morrison  
 D701,010 S \* 3/2014 Tate ..... D32/32  
 D701,011 S \* 3/2014 Miller ..... D32/32  
 D711,656 S 8/2014 Brewer et al.  
 D715,553 S 10/2014 Brewer et al.  
 D725,856 S \* 3/2015 Schultz ..... D32/32  
 9,078,514 B2 \* 7/2015 Nalbandian ..... A46B 11/0072  
 D750,858 S \* 3/2016 Aramli ..... D23/213  
 D759,921 S \* 6/2016 Shields ..... D32/32  
 D767,224 S \* 9/2016 Santiago ..... D32/32

D770,777 S \* 11/2016 Weeks ..... D4/115  
 D771,956 S \* 11/2016 Hauger ..... D4/114  
 D774,310 S \* 12/2016 Hauger ..... D4/114  
 D780,392 S \* 2/2017 Mikula ..... D32/32  
 D785,884 S \* 5/2017 LaBarbera ..... D32/32  
 9,700,198 B1 7/2017 Olson  
 2004/0261808 A1 \* 12/2004 Kluge ..... A45D 19/02  
 132/115  
 2007/0071542 A1 3/2007 Cicero

OTHER PUBLICATIONS

Brush Attach F for Fisher—Part# 2949-9001, <https://www.sharpteksupply.com/index.php/catalog/product/view/id/28859/s/fisher-2949-9001/?zmap=25112989&zmas=3&zmac=1&zmap=282121-2949-9001-LE> . . . , Jul. 31, 2018, 2 pages.  
 Wolff-Mann, Ethan, Finally, a Brush Attachment for Your Sink Sprayer—Reviewed.com Dishwashers, <https://www.reviewed.com/dishwashers/news/finally-a-brush-attachment-for-your-sink-sprayer>, Jun. 4, 2013, 2 pages.

\* cited by examiner

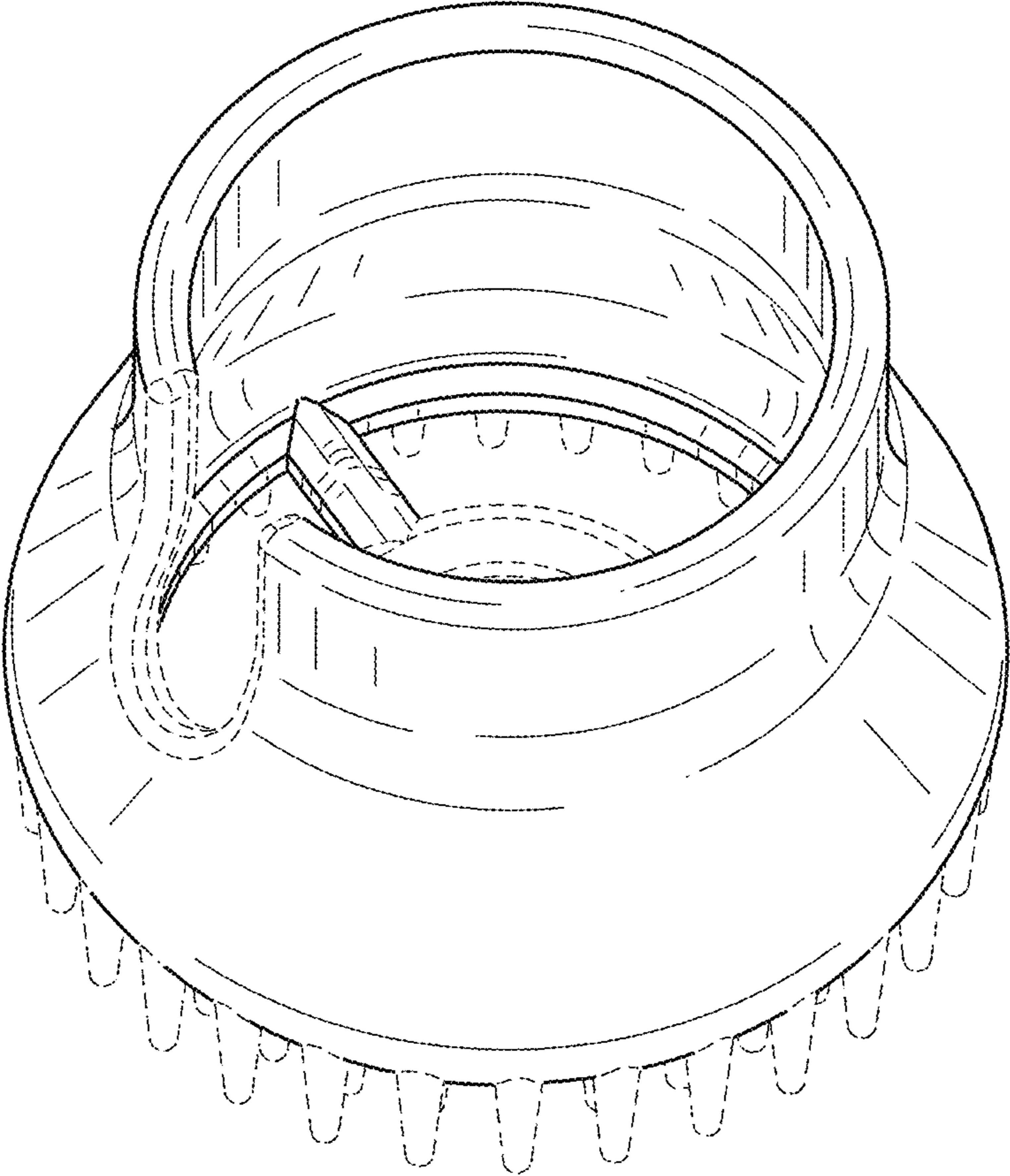


FIG. 1

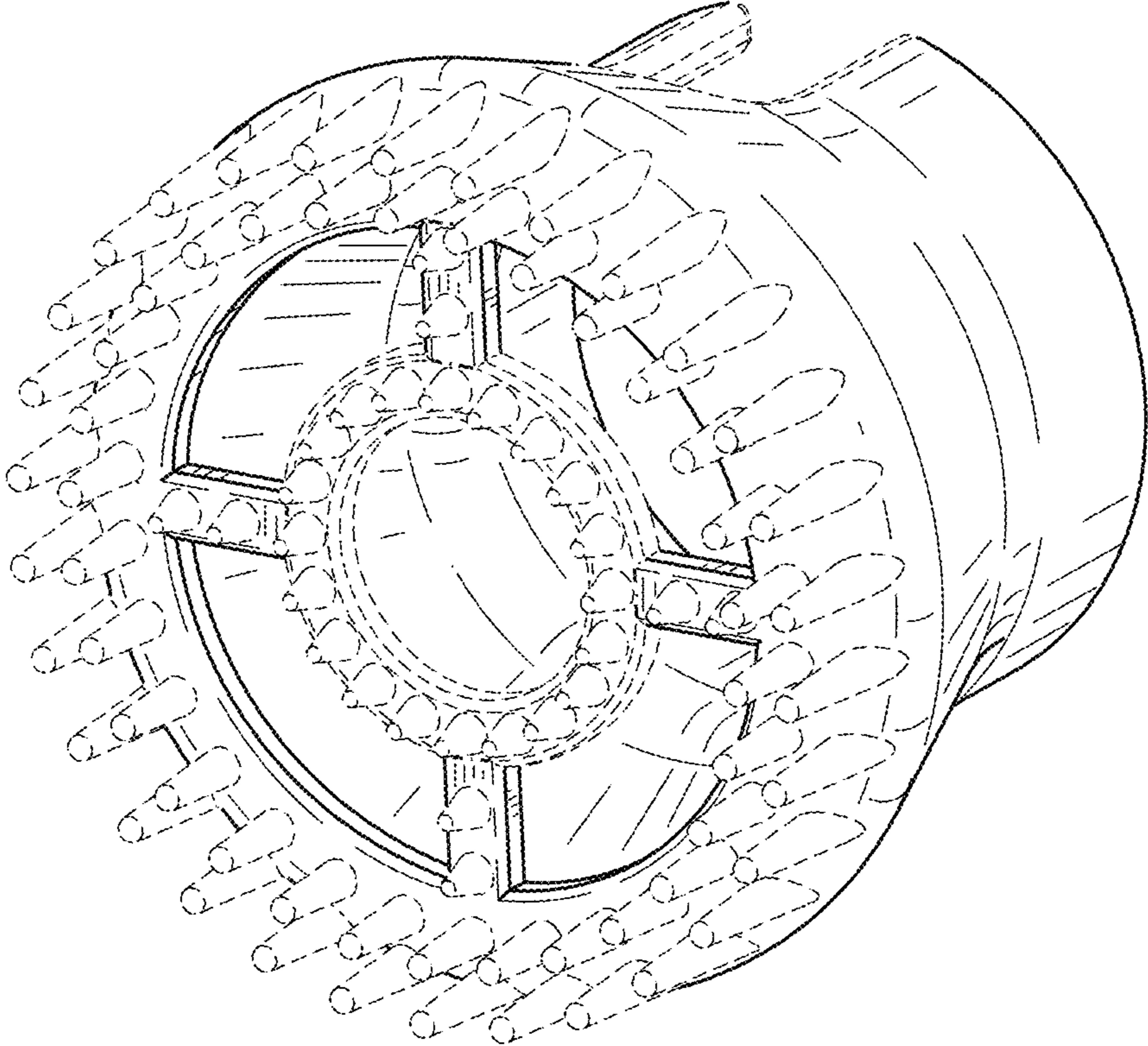


FIG. 2

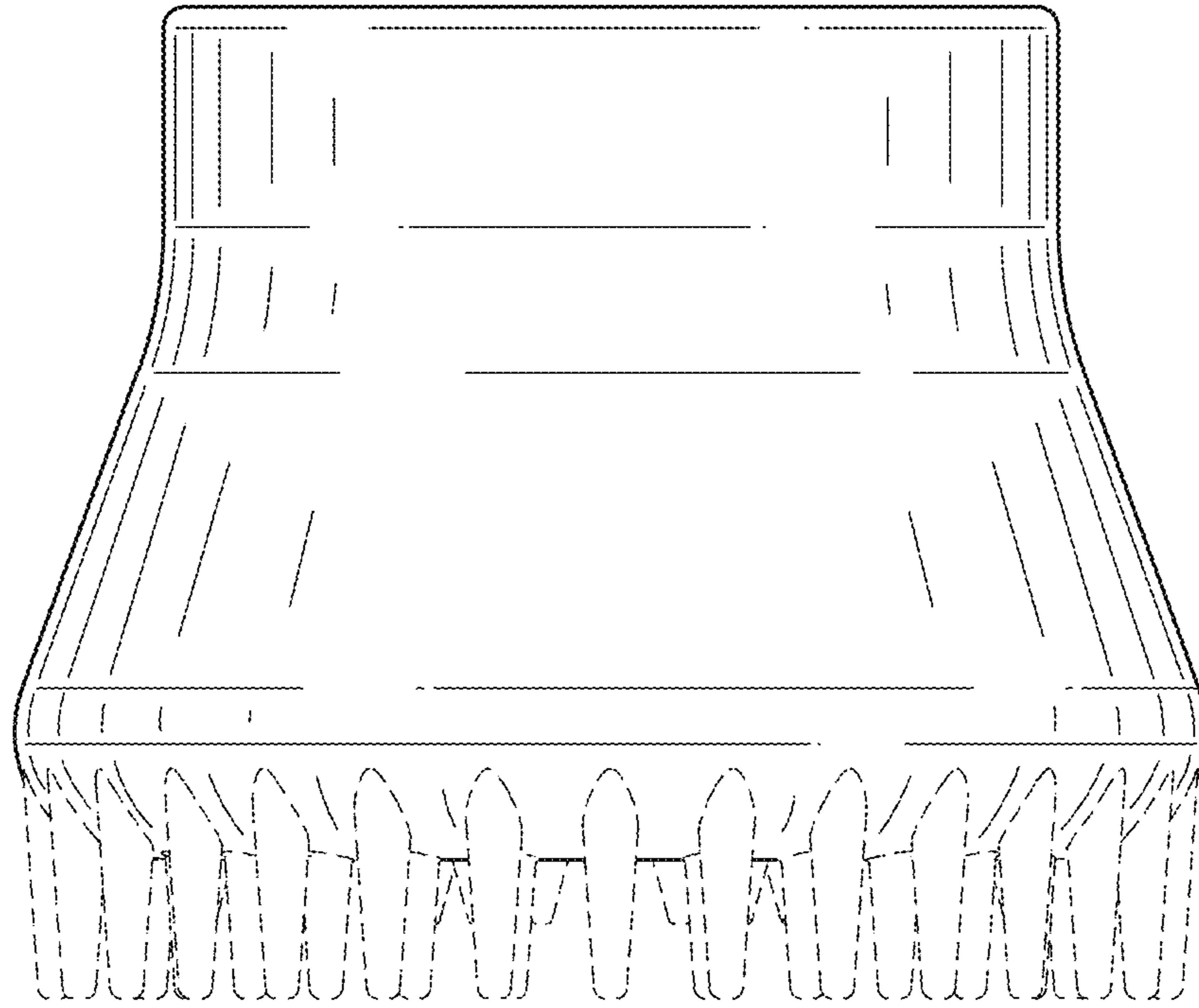


FIG. 3

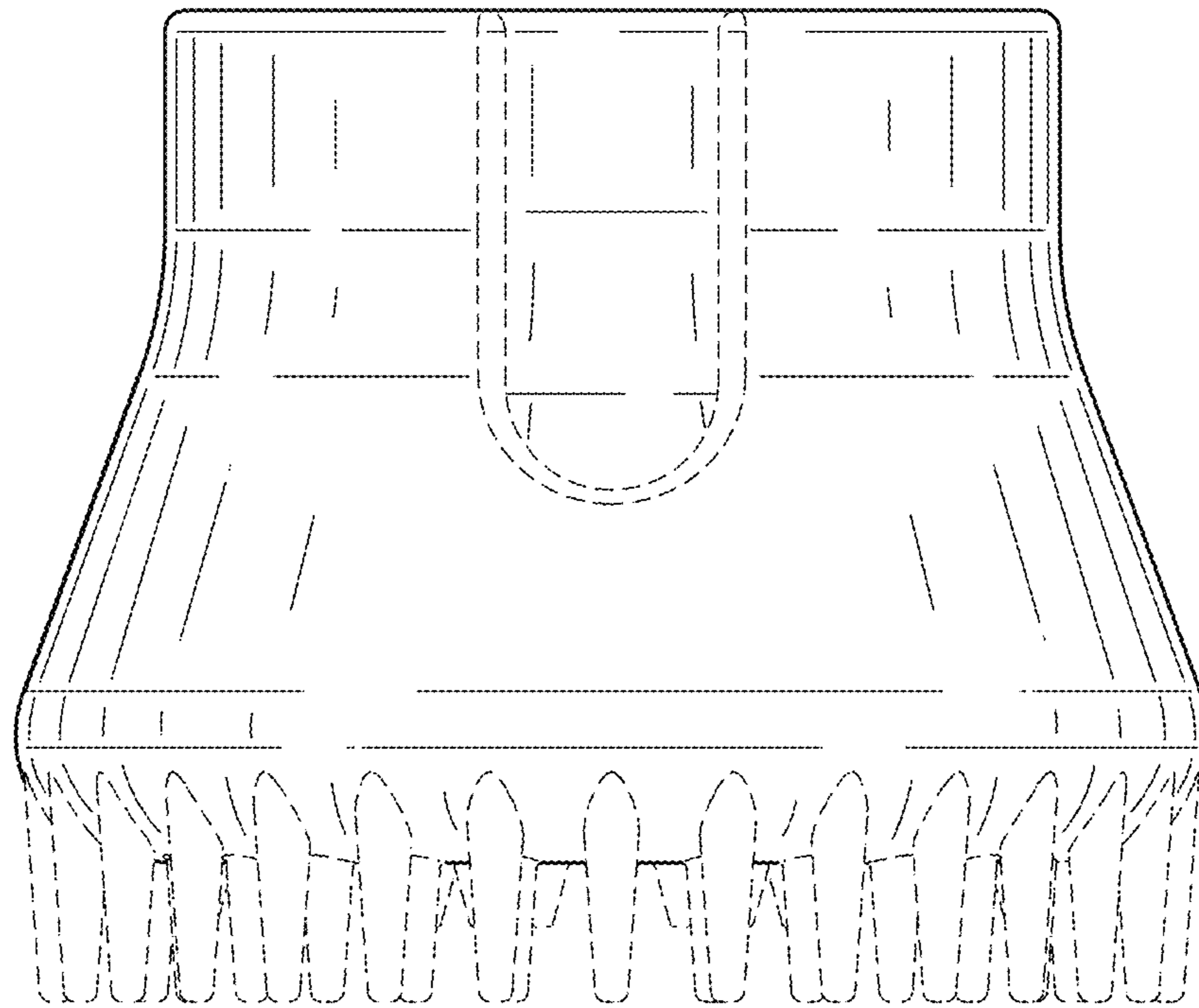


FIG. 4

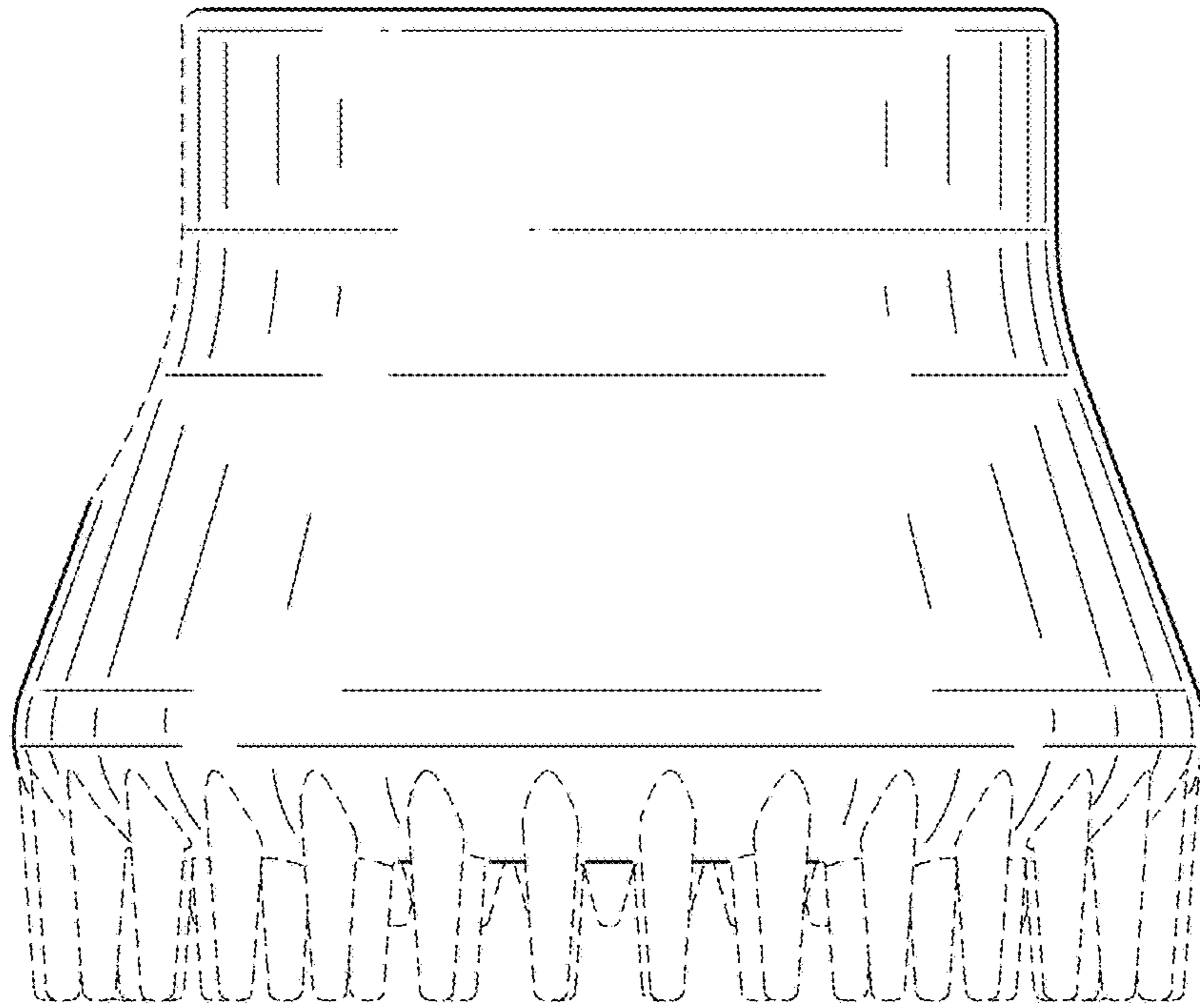


FIG. 5

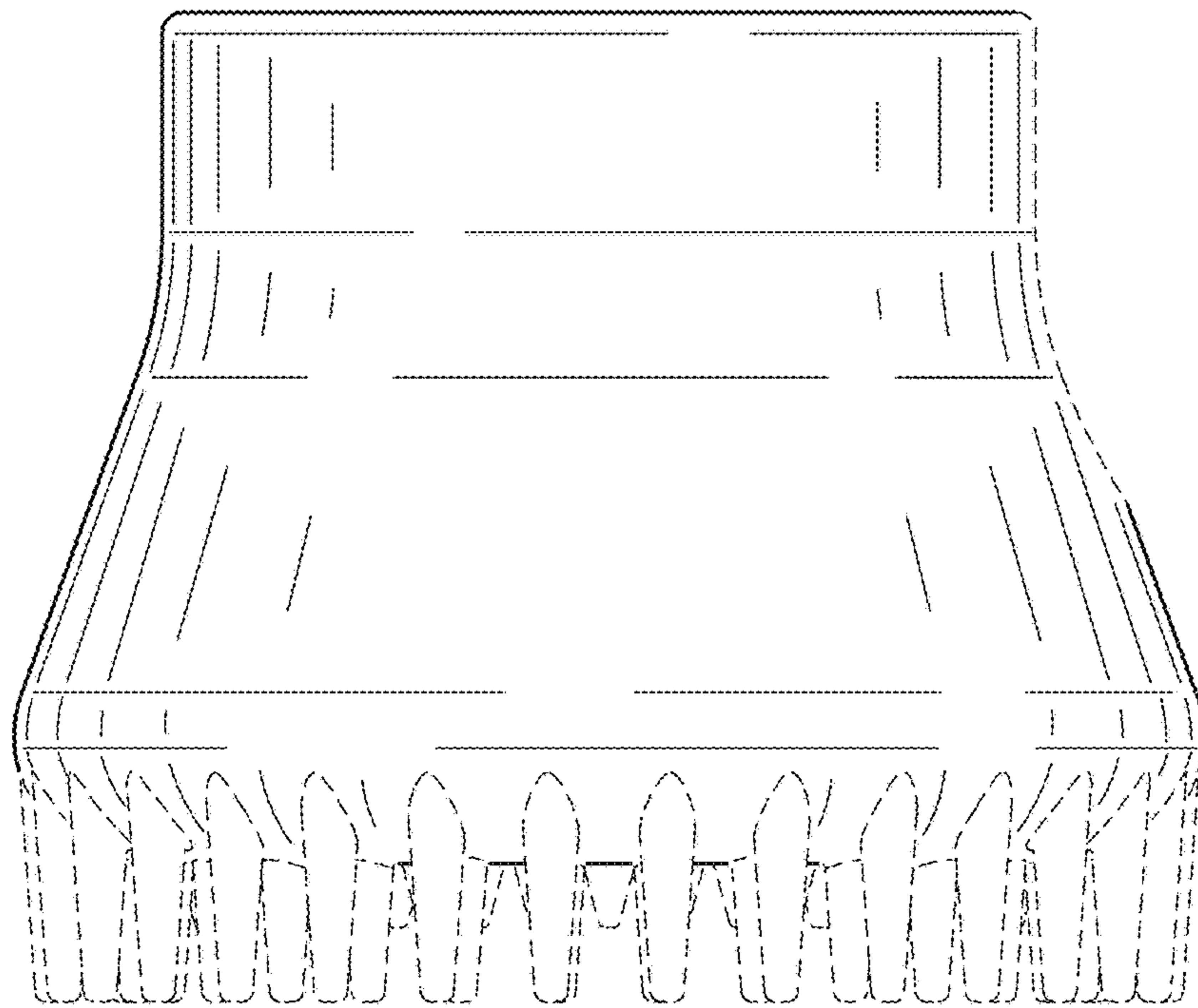


FIG. 6

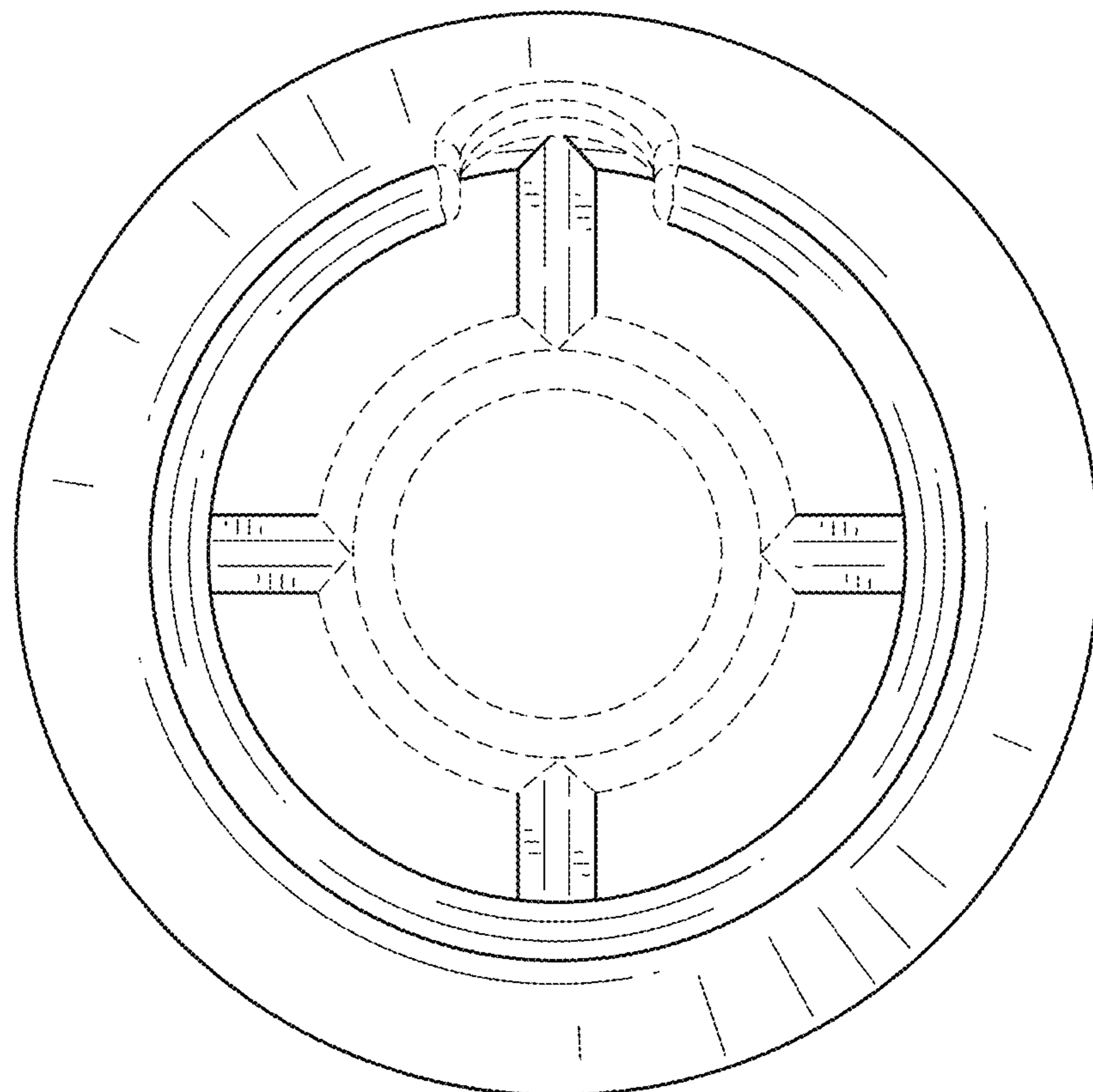


FIG. 7

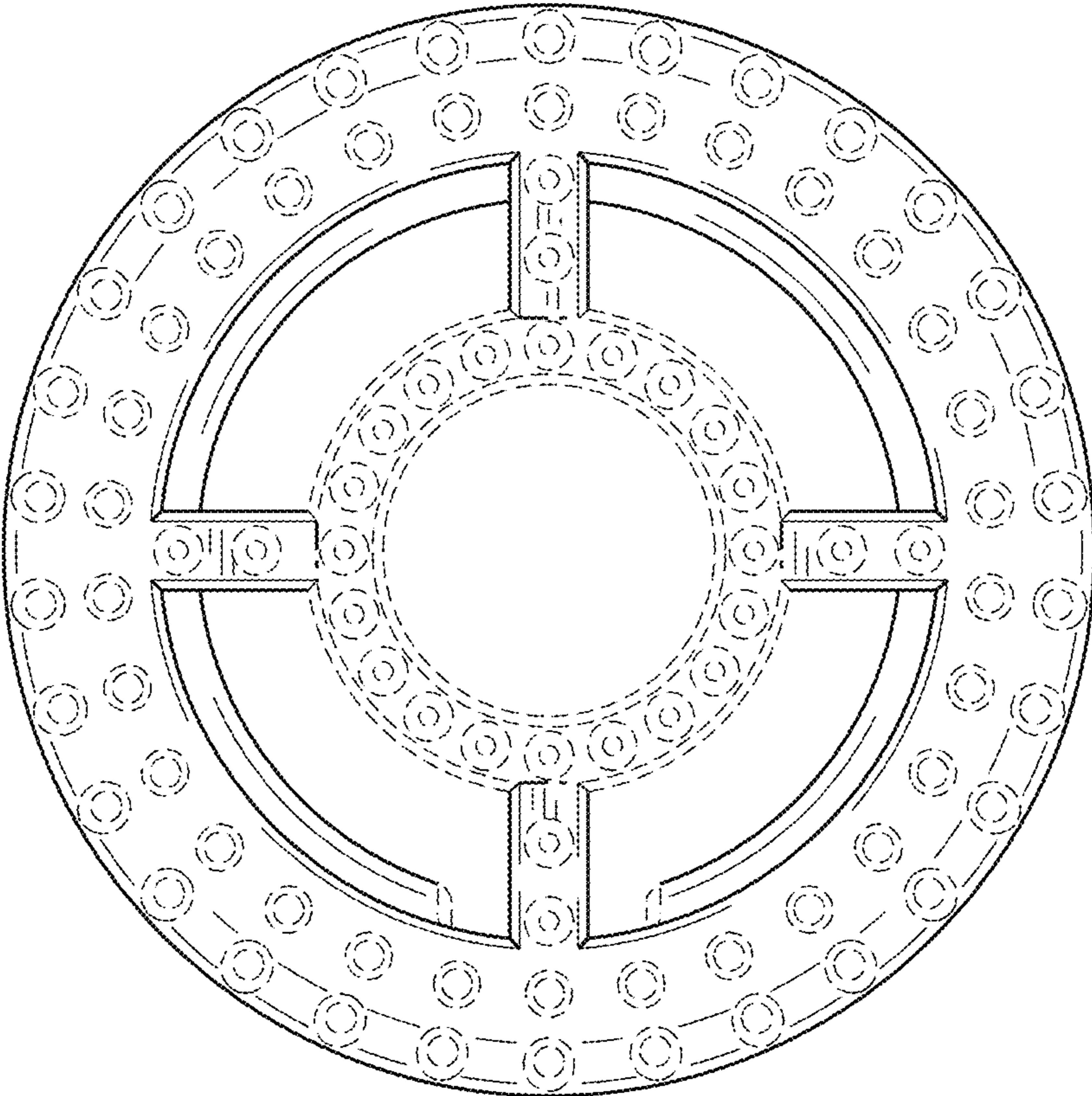


FIG. 8