



US00D837526S

(12) **United States Design Patent** (10) **Patent No.:** **US D837,526 S**
Evans (45) **Date of Patent:** **** Jan. 8, 2019**

(54) **ULTRASONIC TOOTHBRUSH**
(71) Applicant: **BleepBleeps Limited**, London (GB)
(72) Inventor: **Thomas Neville Dundas Evans**,
London (GB)

D780,455 S * 3/2017 Kandemir D4/101
D782,202 S * 3/2017 Machiorlette D4/127
D819,974 S * 6/2018 Johansson D4/101
D820,599 S * 6/2018 Park D4/101
2005/0050659 A1* 3/2005 Chan A46B 15/0036
15/22.1

(Continued)

(73) Assignee: **BleepBleeps Limited**, London (GB)
(**) Term: **15 Years**

FOREIGN PATENT DOCUMENTS

EM 003120237-0001 5/2016

(21) Appl. No.: **29/607,388**

OTHER PUBLICATIONS

(22) Filed: **Jun. 13, 2017**
(51) **LOC (11) Cl.** **28-03**
(52) **U.S. Cl.**
USPC **D4/101**
(58) **Field of Classification Search**
USPC D1/106, 199; D4/100–104, 108–111,
D4/127, 128, 132–136, 138, 199; D8/61;
D13/107, 108; D14/288; D24/119, 146,
D24/180; D30/158, 159
CPC A46B 5/00; A46B 9/04; A46B 9/10; A46B
7/00; A46B 2200/1066; A46B 2200/1073;
A46B 2200/1086
See application file for complete search history.

Kickstarter | Benjamin Brush—the Smart Music Toothbrush for everyone, posted on Sep. 18, 2017 by BleepBleeps, © 2018 Kickstarter, PBC [online], [site visited Aug. 14, 2018]. Available from Internet, <URL: <https://www.kickstarter.com/projects/bleepbleeps/benjamin-brush-the-smart-music-toothbrush-for-ever?token=da174997/>>.*

Primary Examiner — Philip S Hyder
Assistant Examiner — Cary M Robinson
(74) *Attorney, Agent, or Firm* — Burns & Levinson LLP;
John C. Serio

(57) **CLAIM**

The ornamental design for an ultrasonic toothbrush, as shown and described.

(56) **References Cited**

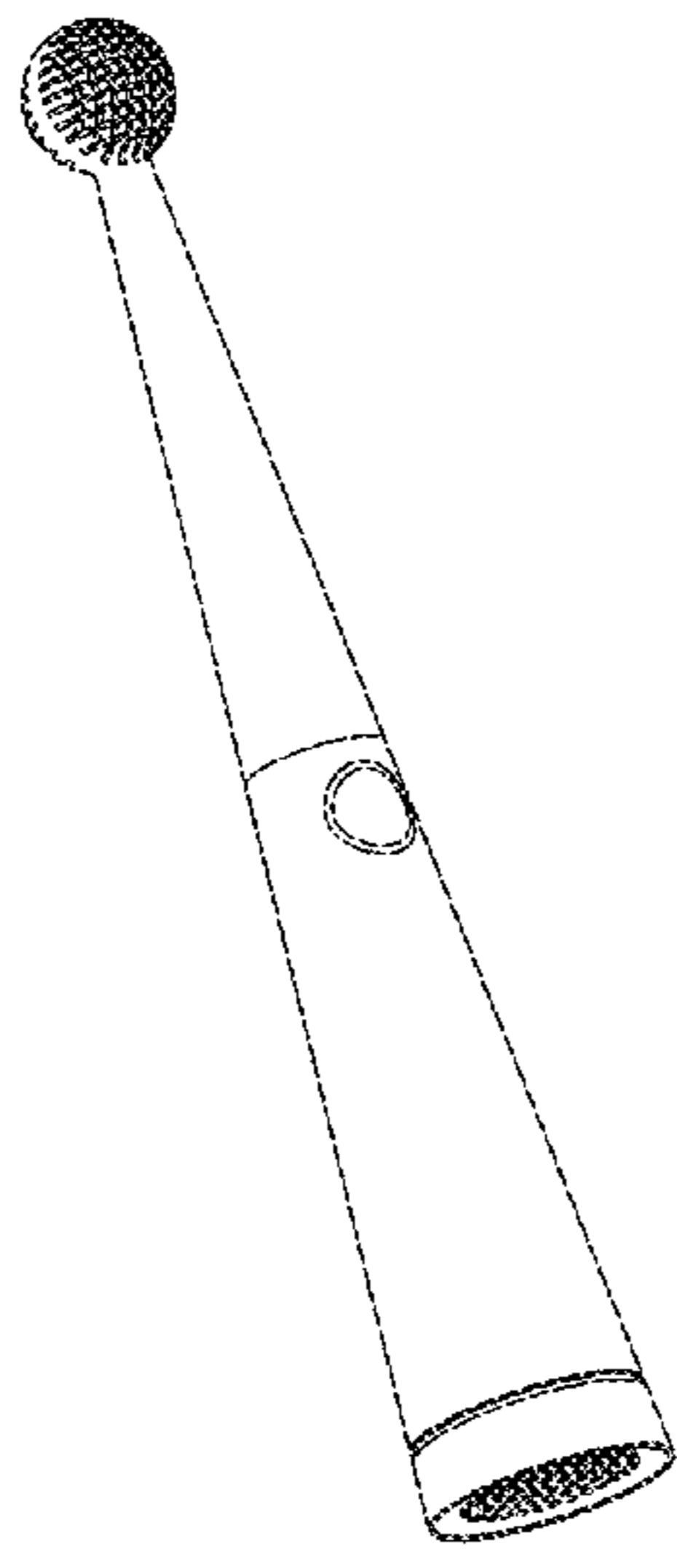
DESCRIPTION

U.S. PATENT DOCUMENTS

3,828,770 A * 8/1974 Kuris A61C 1/07
15/22.1
D403,768 S * 1/1999 Mark D24/152
D417,277 S * 11/1999 Maissami D24/119
D527,528 S * 9/2006 Hohlbein D4/108
D580,658 S * 11/2008 Berti D4/138
D586,126 S * 2/2009 Carey, Sr. D4/111
D669,981 S * 10/2012 Ruiz, Sr. D24/133
D714,065 S * 9/2014 Chitayat D4/128
D741,068 S * 10/2015 Frazier D28/7
D743,173 S * 11/2015 Sohn D4/101
D758,079 S * 6/2016 Since D4/101
D758,080 S * 6/2016 Since D4/101
D778,057 S * 2/2017 Sohn D4/101

FIG. 1 is a left side view of the ultrasonic toothbrush of my design;
FIG. 2 is a rear view of the ultrasonic toothbrush;
FIG. 3 is a right side view of the ultrasonic toothbrush;
FIG. 4 is a front view of the ultrasonic toothbrush;
FIG. 5 is a bottom view of the ultrasonic toothbrush;
FIG. 6 is a top view of the ultrasonic toothbrush;
FIG. 7 is a front/bottom perspective view of the ultrasonic toothbrush; and,
FIG. 8 is a rear/bottom perspective view of the ultrasonic toothbrush.

1 Claim, 8 Drawing Sheets



(56)

References Cited

U.S. PATENT DOCUMENTS

2012/0174938 A1* 7/2012 Hill A61C 17/26
132/200
2015/0351883 A1* 12/2015 Hwang A61C 17/221
15/22.1
2018/0055184 A1* 3/2018 McVeigh A45D 20/12
2018/0055187 A1* 3/2018 Galligan A45D 20/12

* cited by examiner

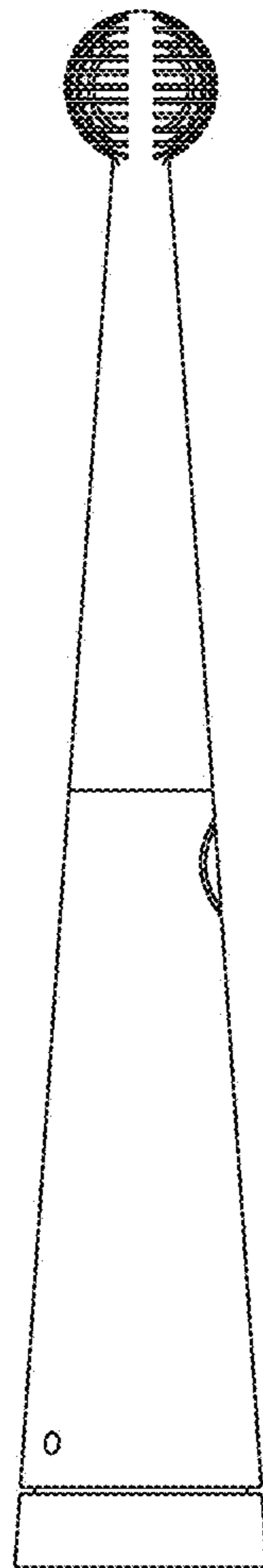


FIG. 1

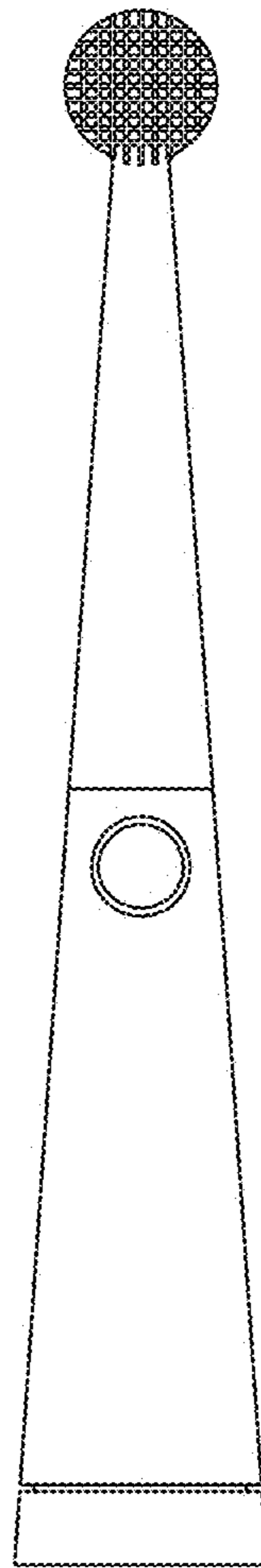


FIG. 2

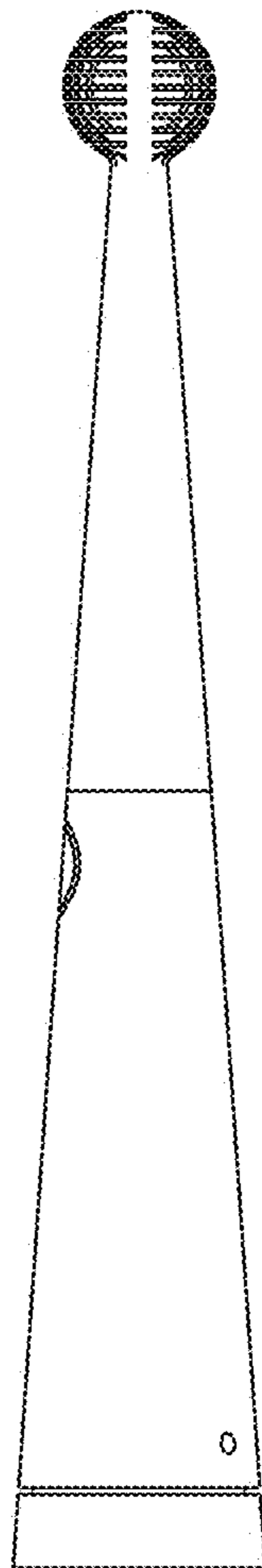


FIG. 3

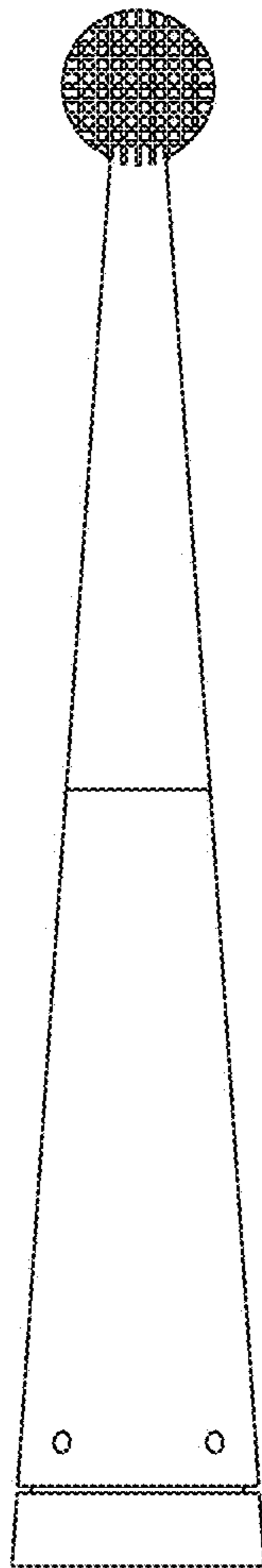


FIG. 4

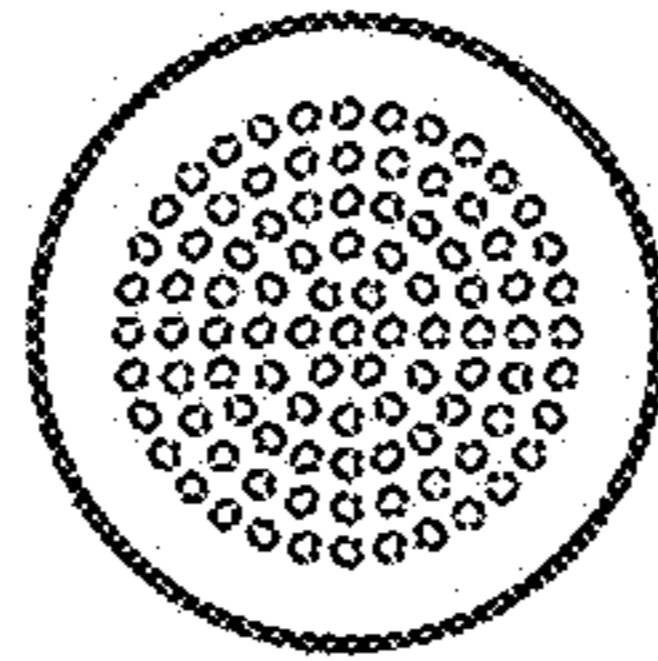


FIG. 5

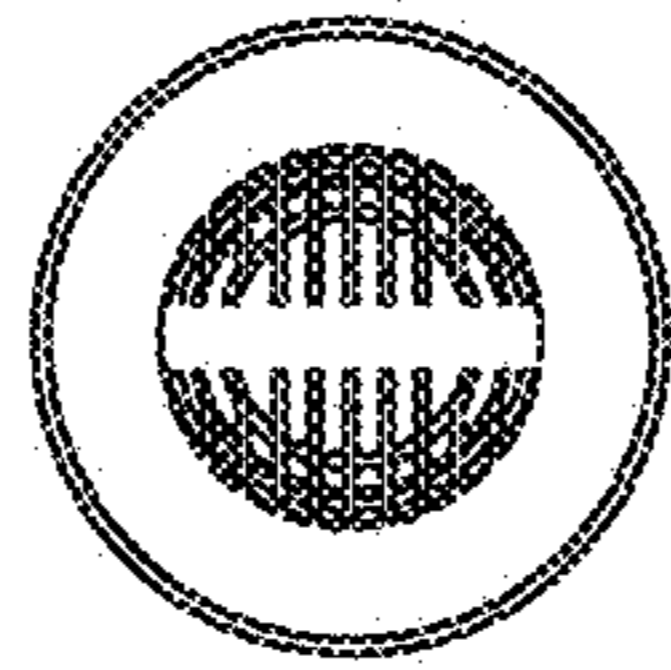


FIG. 6

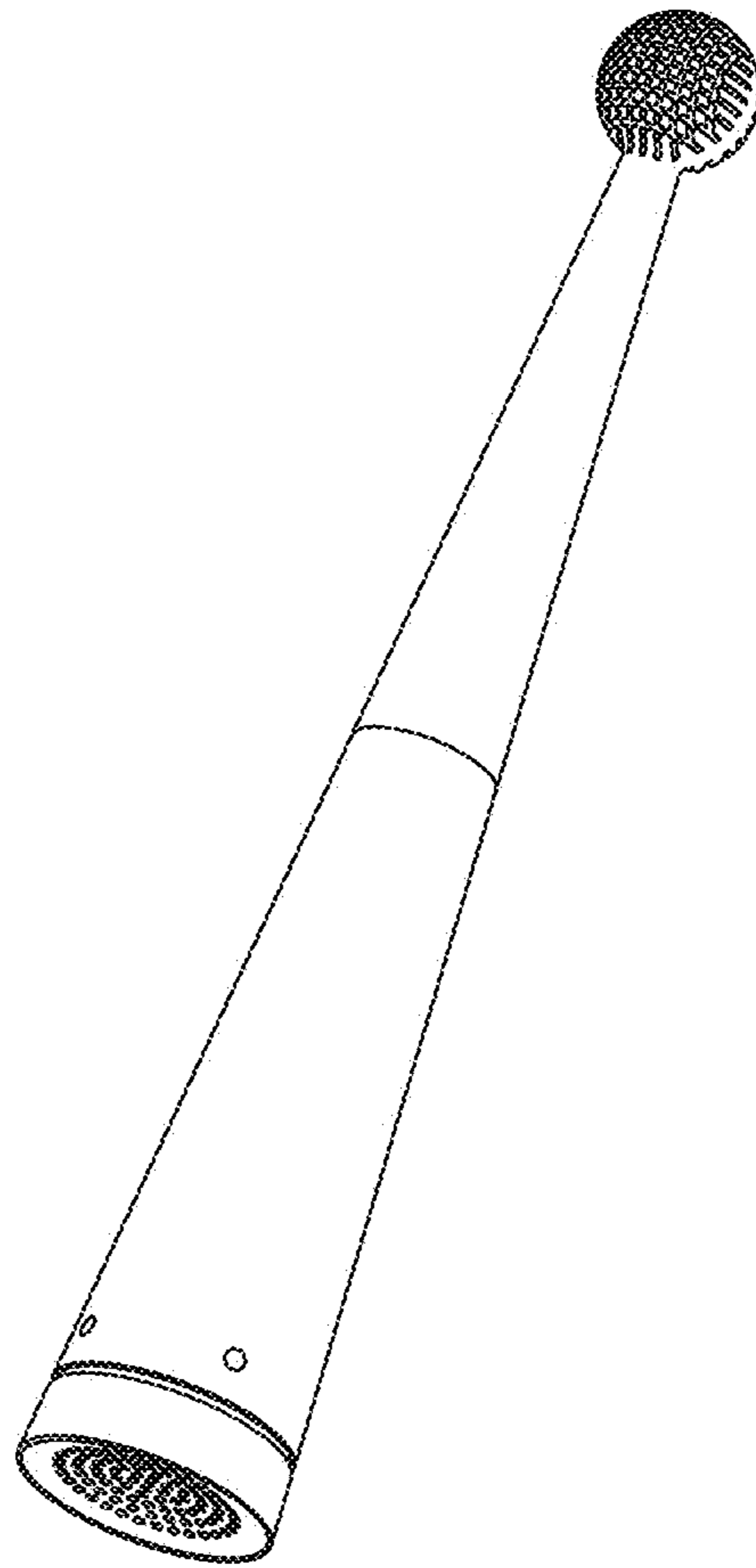


FIG. 7

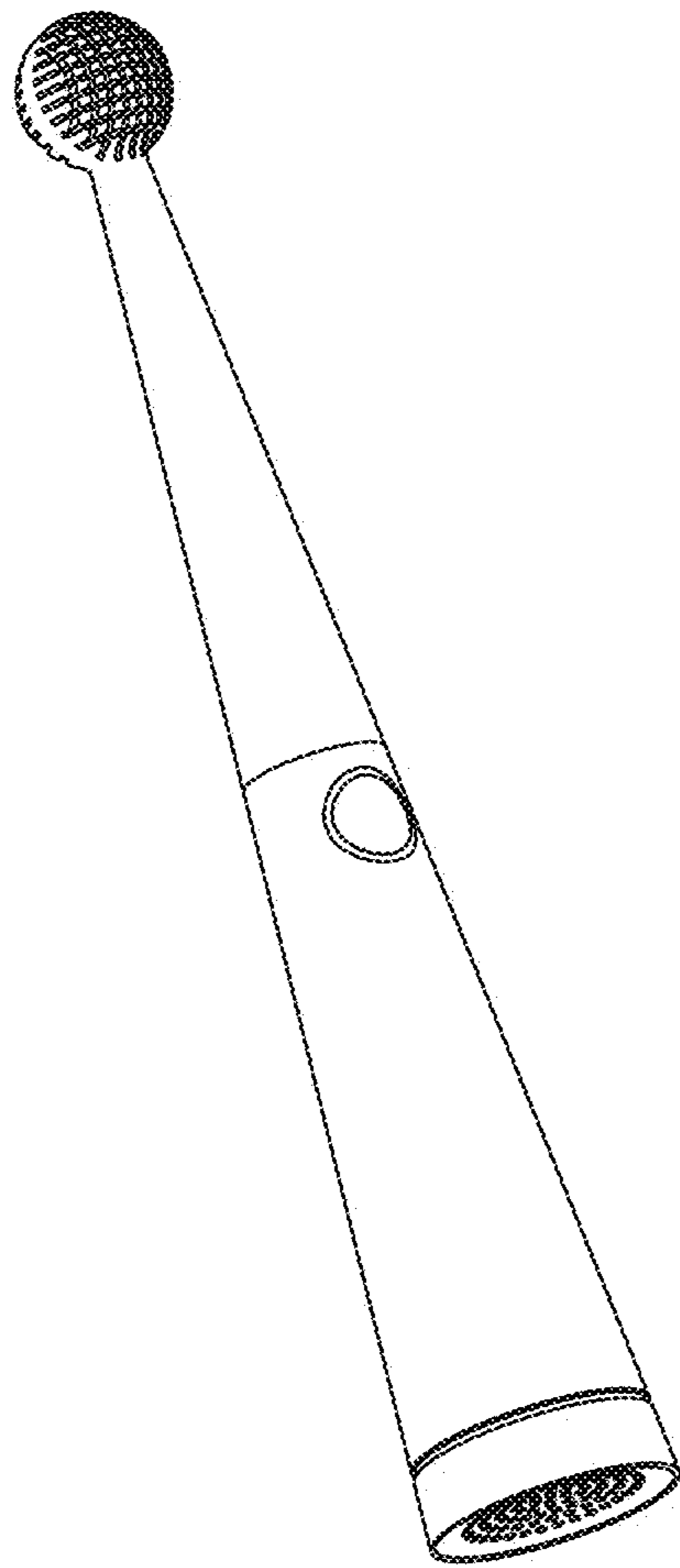


FIG. 8