



US00D837525S

(12) **United States Design Patent** (10) **Patent No.:** **US D837,525 S**  
**Evans** (45) **Date of Patent:** **\*\* Jan. 8, 2019**

(54) **ULTRASONIC TOOTHBRUSH**

FOREIGN PATENT DOCUMENTS

(71) Applicant: **BleepBleeps Limited**, London (GB)

EM 003120237-0001 5/2016

(72) Inventor: **Thomas Neville Dundas Evans**,  
London (GB)

OTHER PUBLICATIONS

(73) Assignee: **BleepBleeps Limited**, London (GB)

Kickstarter | Benjamin Brush—the Smart Music Toothbrush for everyone, posted on Sep. 18, 2017 by BleepBleeps, © 2018 Kickstarter, PBC [online], [site visited Aug. 14, 2018]. Available from Internet, <URL: <https://www.kickstarter.com/projects/bleepbleeps/benjamin-brush-the-smart-music-toothbrush-for-ever?token=da174997/>>.\*

(\*\*) Term: **15 Years**

\* cited by examiner

(21) Appl. No.: **29/607,387**

(22) Filed: **Jun. 13, 2017**

(51) **LOC (11) Cl.** ..... **28-03**

*Primary Examiner* — Philip S Hyder

(52) **U.S. Cl.**

*Assistant Examiner* — Cary M Robinson

USPC ..... **D4/101**

(74) *Attorney, Agent, or Firm* — Burns & Levinson LLP;  
John C. Serio

(58) **Field of Classification Search**

USPC ..... D1/106, 199; D4/100–104, 108–111,  
D4/127, 128, 132–136, 138, 199; D8/61;  
D13/107, 108; D14/288; D24/119, 146,  
D24/180; D30/158, 159

CPC .... A46B 5/00; A46B 9/04; A46B 9/10; A46B  
7/00; A46B 2200/1066; A46B 2200/1073;  
A46B 2200/1086

See application file for complete search history.

(57) **CLAIM**

The ornamental design for an ultrasonic toothbrush, as shown and described.

(56) **References Cited**

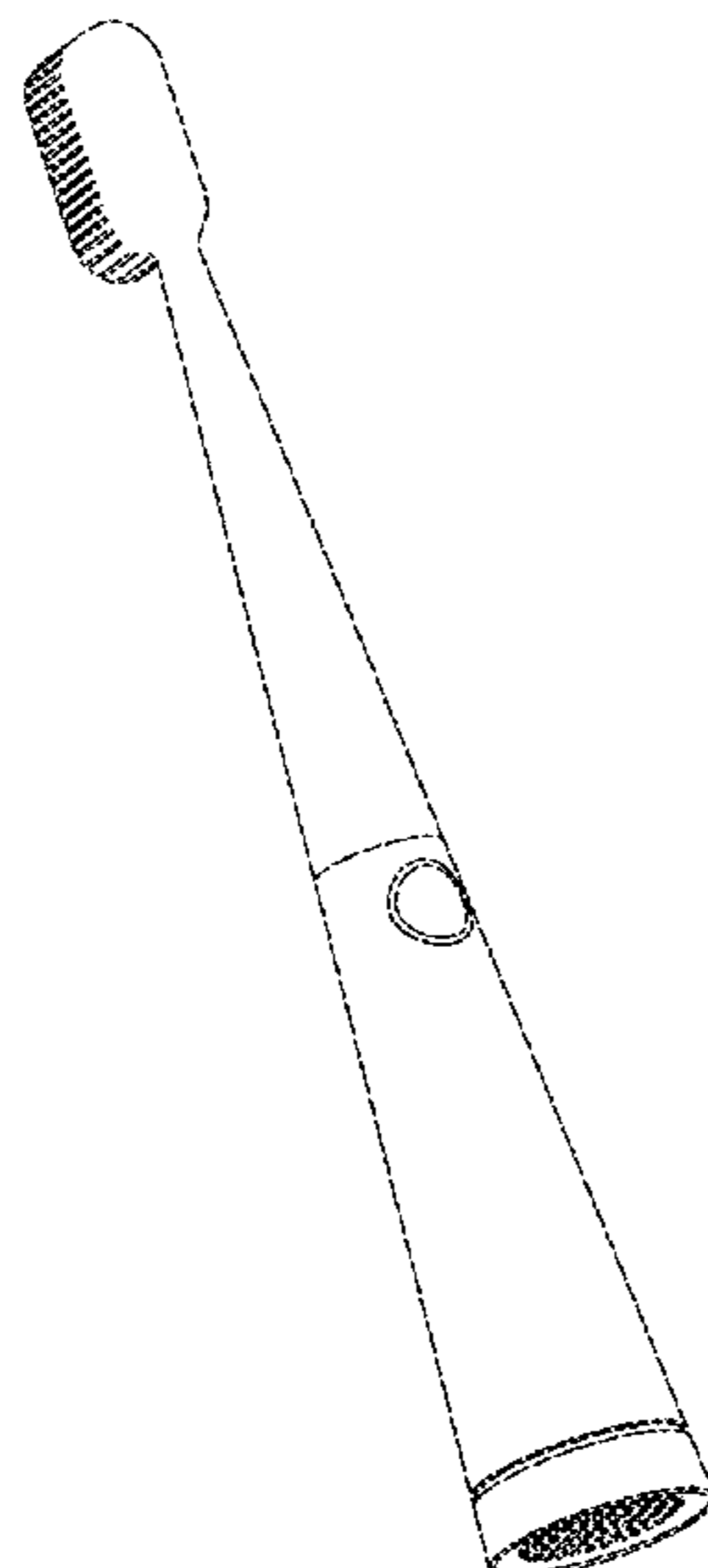
**DESCRIPTION**

U.S. PATENT DOCUMENTS

D291,504 S *	8/1987	Tarrson	.....	D4/104
D459,027 S *	6/2002	Chen	.....	D28/22
D634,547 S *	3/2011	Botelho	.....	D4/101
D719,737 S *	12/2014	Adriaenssen	.....	D4/101
D745,782 S *	12/2015	Booth	.....	D4/108
D749,853 S *	2/2016	Cessot	.....	D4/101
D759,381 S *	6/2016	Watkins	.....	D4/101
D774,775 S *	12/2016	Buchholz	.....	D4/104
D790,862 S *	7/2017	Matelo	.....	D4/104
D811,094 S *	2/2018	Sedic	.....	D4/111
2014/0310900 A1 *	10/2014	Curry	.....	A46B 9/04
				15/167.1
2018/0098621 A1 *	4/2018	Patel	.....	A46B 17/04

FIG. 1 is a right side view of the ultrasonic toothbrush of my design;  
FIG. 2 is a front view of the ultrasonic toothbrush;  
FIG. 3 is a left side view of the ultrasonic toothbrush;  
FIG. 4 is a rear view of the ultrasonic toothbrush;  
FIG. 5 is a bottom view of the ultrasonic toothbrush;  
FIG. 6 is a top view of the ultrasonic toothbrush;  
FIG. 7 is a front/bottom perspective view of the ultrasonic toothbrush; and,  
FIG. 8 is a rear/bottom perspective view of the ultrasonic toothbrush.

**1 Claim, 8 Drawing Sheets**



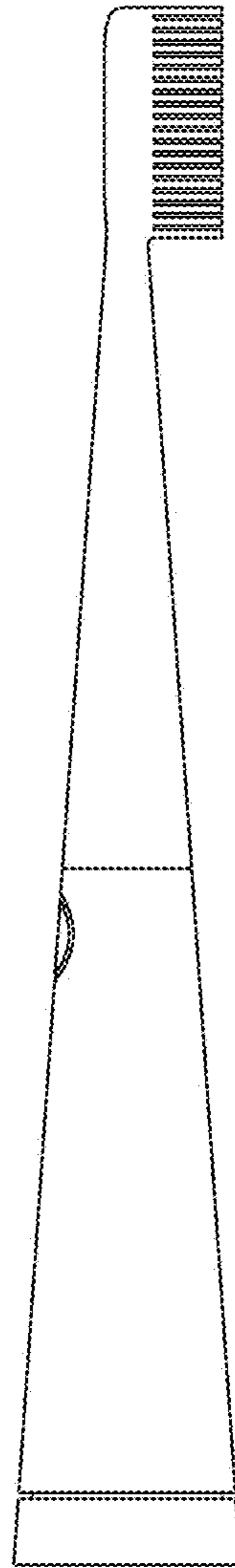


FIG. 1

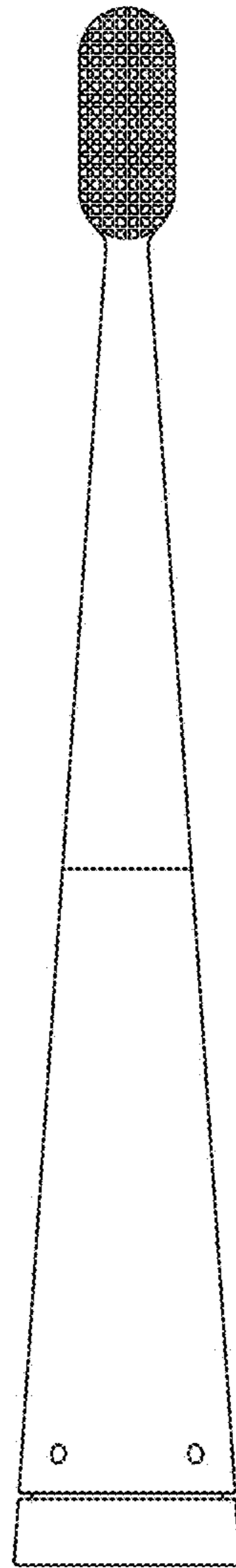


FIG. 2

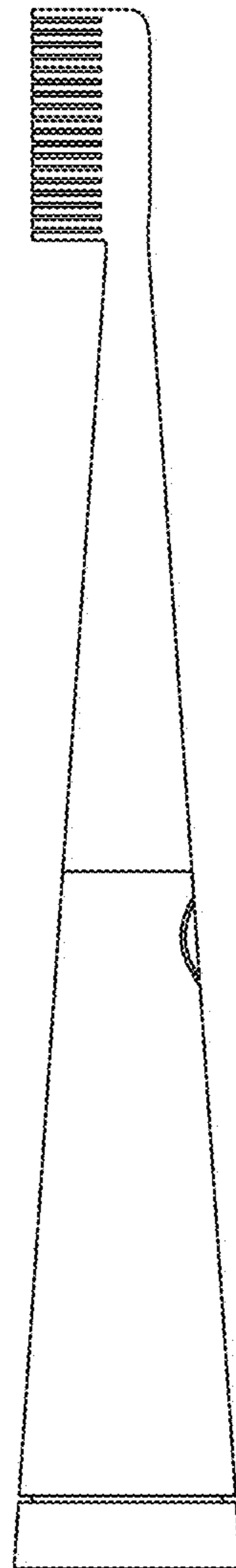


FIG. 3

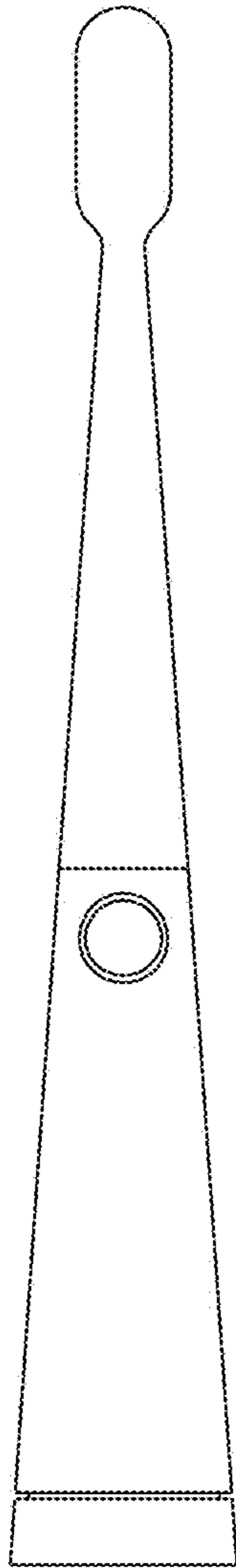


FIG. 4

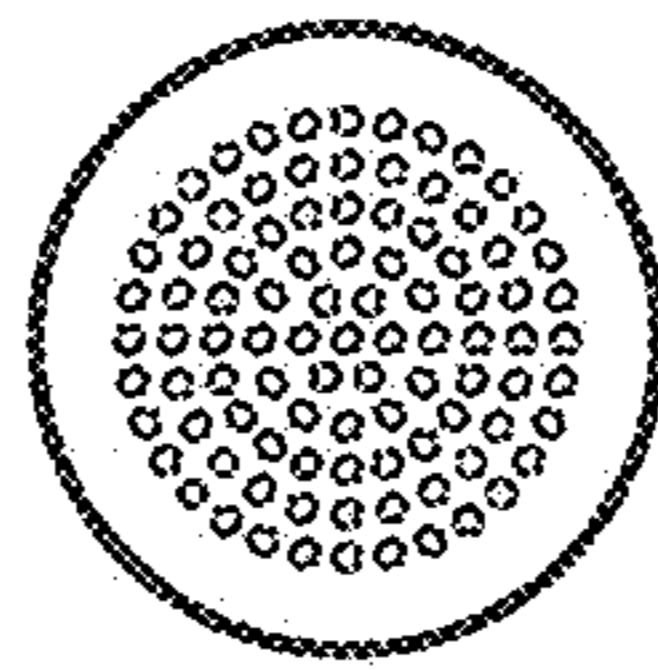


FIG. 5

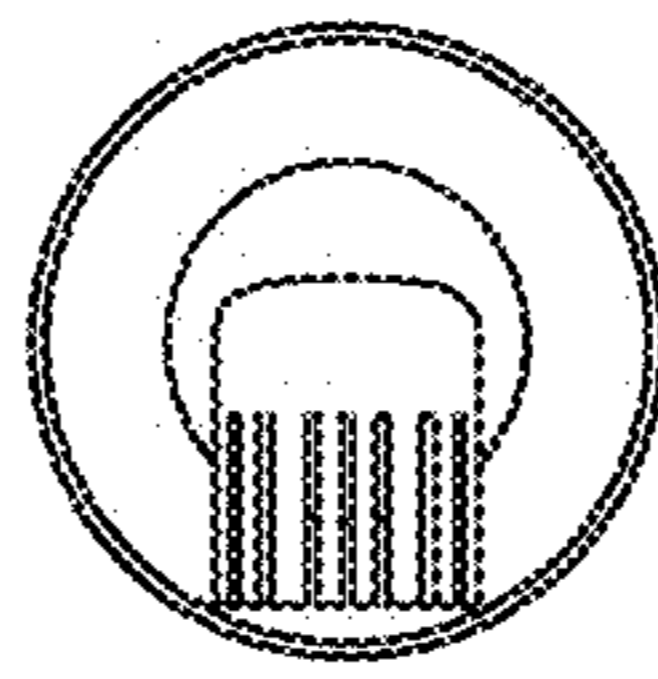


FIG. 6

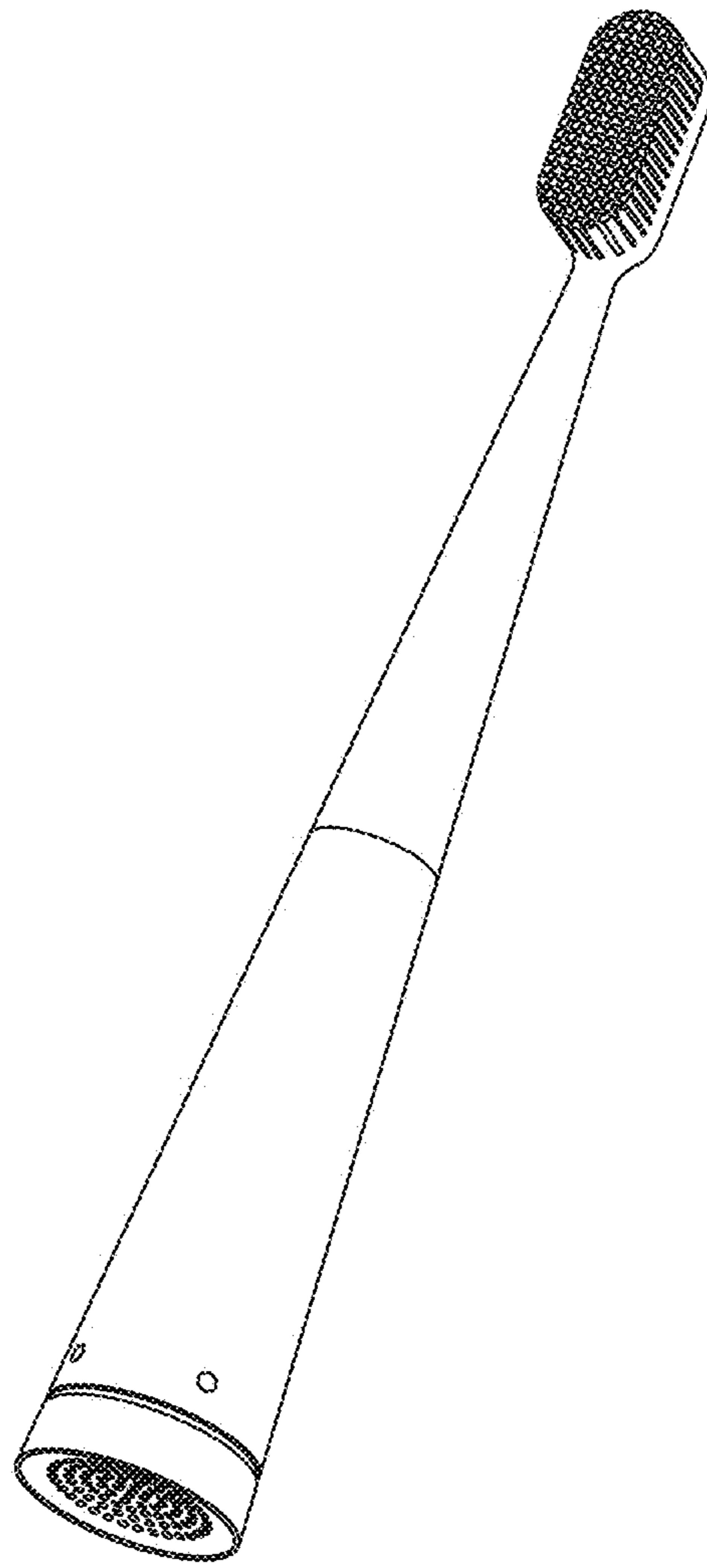


FIG. 7



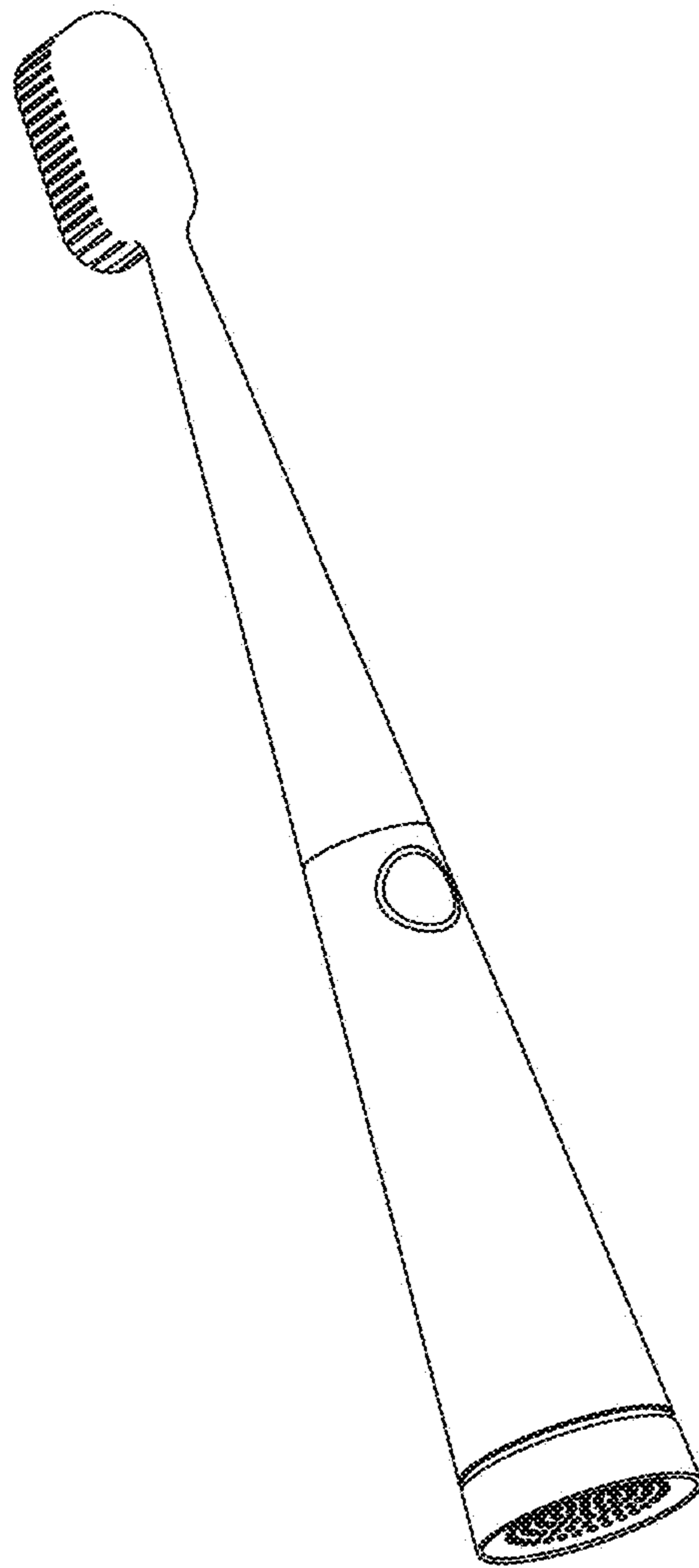


FIG. 8