

US00D837522S

(12) **United States Design Patent** (10) **Patent No.:** **US D837,522 S**
Dinihanian, Jr. (45) **Date of Patent:** **** Jan. 8, 2019**

- (54) **PORTABLE SMALL ARTICLE HOLDER**
- (71) Applicant: **Eagle Holdings LLC**, Portland, OR (US)
- (72) Inventor: **Vahan M. Dinihanian, Jr.**, Portland, OR (US)
- (73) Assignee: **Eagle Holdings LLC**, Portland, OR (US)
- (**) Term: **15 Years**
- (21) Appl. No.: **29/605,510**
- (22) Filed: **May 26, 2017**
- (51) **LOC (11) Cl.** **03-02**
- (52) **U.S. Cl.**
USPC **D3/316**
- (58) **Field of Classification Search**
USPC D3/205, 206, 315–317
CPC B65D 85/00; B65D 43/00
See application file for complete search history.

- (56) **References Cited**
U.S. PATENT DOCUMENTS
- | | | |
|-------------|--------|---------------|
| 575,536 A | 1/1897 | Swanson |
| 2,630,640 A | 3/1953 | Stevenson |
| 4,852,778 A | 8/1989 | Beiser et al. |

- | | | | | |
|-------------------|---------|-----------|-------|----------------------|
| D329,895 S * | 9/1992 | Chumsae | | D23/393 |
| D668,876 S * | 10/2012 | Tice | | D3/302 |
| D703,060 S * | 4/2014 | Okulla | | D28/76 |
| D728,216 S * | 5/2015 | Click | | D3/203.5 |
| D738,613 S * | 9/2015 | Winiski | | D3/205 |
| 9,616,313 B2 * | 4/2017 | Townsend | | A45C 9/00 |
| D793,717 S * | 8/2017 | Boljat | | D3/205 |
| D801,188 S * | 10/2017 | Treadwell | | D9/680 |
| D801,189 S * | 10/2017 | Treadwell | | D9/680 |
| 2008/0302689 A1 * | 12/2008 | Frakes | | B25H 3/02
206/373 |

* cited by examiner

Primary Examiner — Charles D Hanson
(74) *Attorney, Agent, or Firm* — Howard Russell

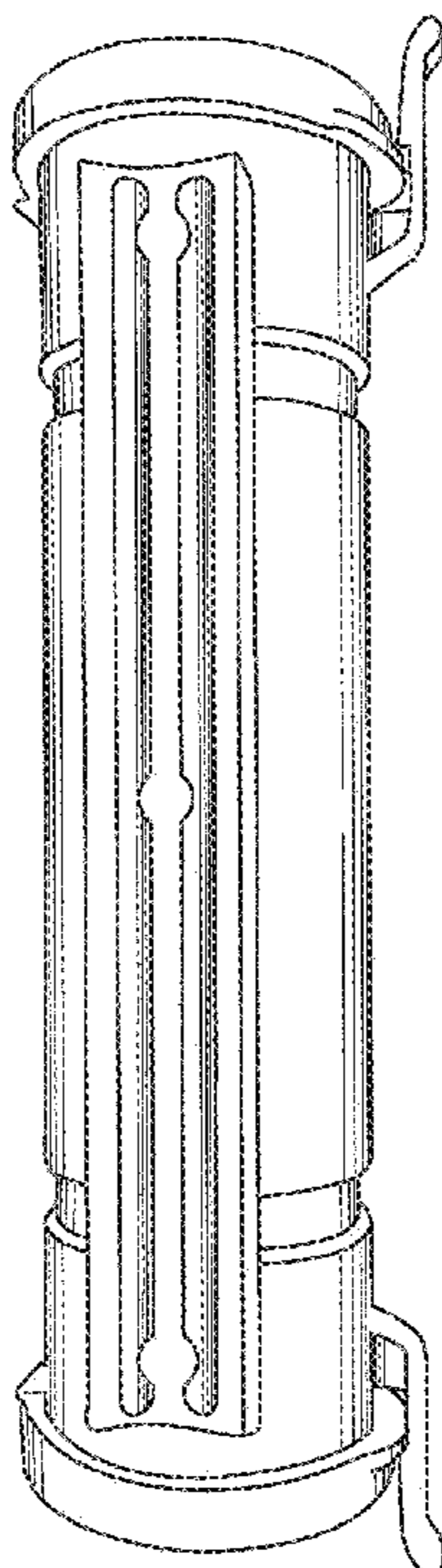
(57) **CLAIM**

I claim the ornamental design for a portable small article holder, as shown.

DESCRIPTION

FIG. 1 is a front perspective view of a portable small article holder;
FIG. 2 is an alternative front perspective view thereof;
FIG. 3 is a front elevation view thereof;
FIG. 4 is a rear elevation view thereof;
FIG. 5 is a left side elevation view thereof;
FIG. 6 is a right side elevation view thereof;
FIG. 7 is a top plan view thereof; and,
FIG. 8 is a bottom plan view thereof.

1 Claim, 8 Drawing Sheets



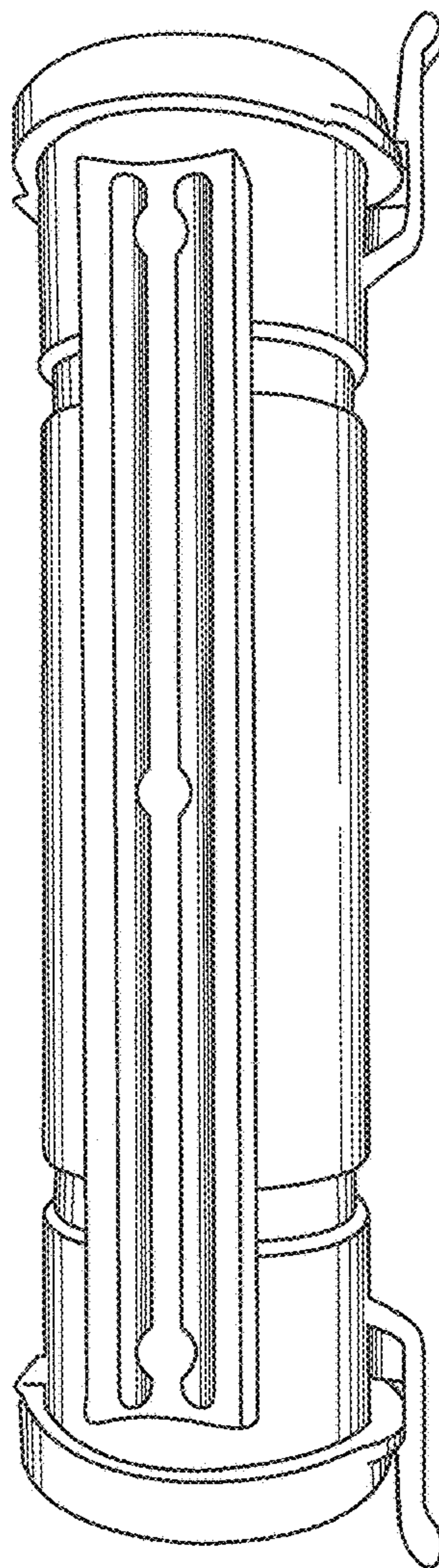


FIG. 1

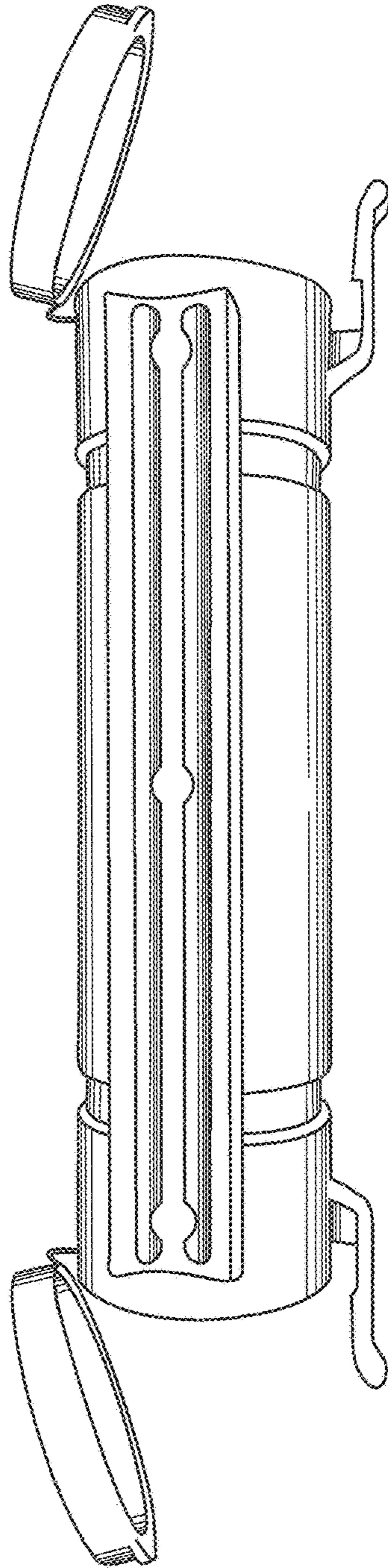


FIG. 2

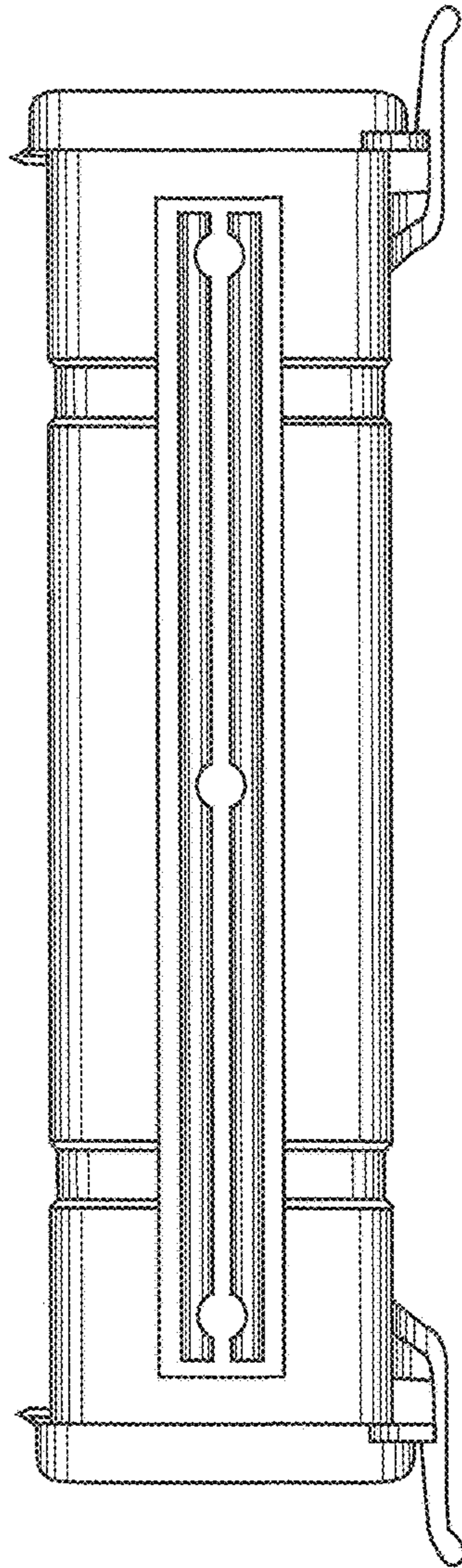


FIG. 3

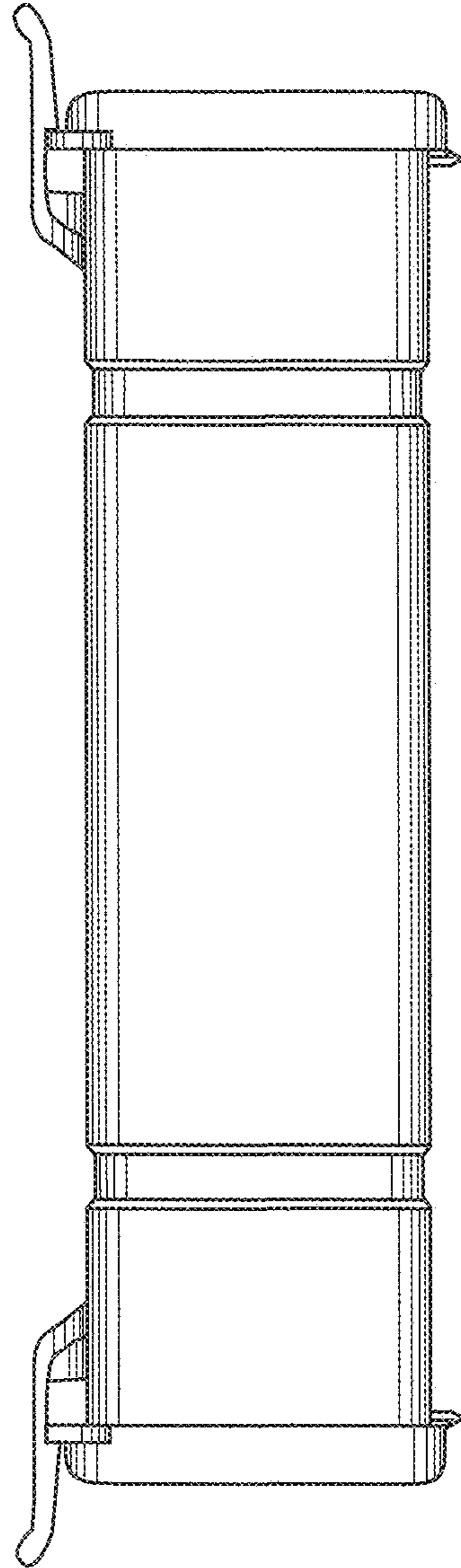


FIG. 4

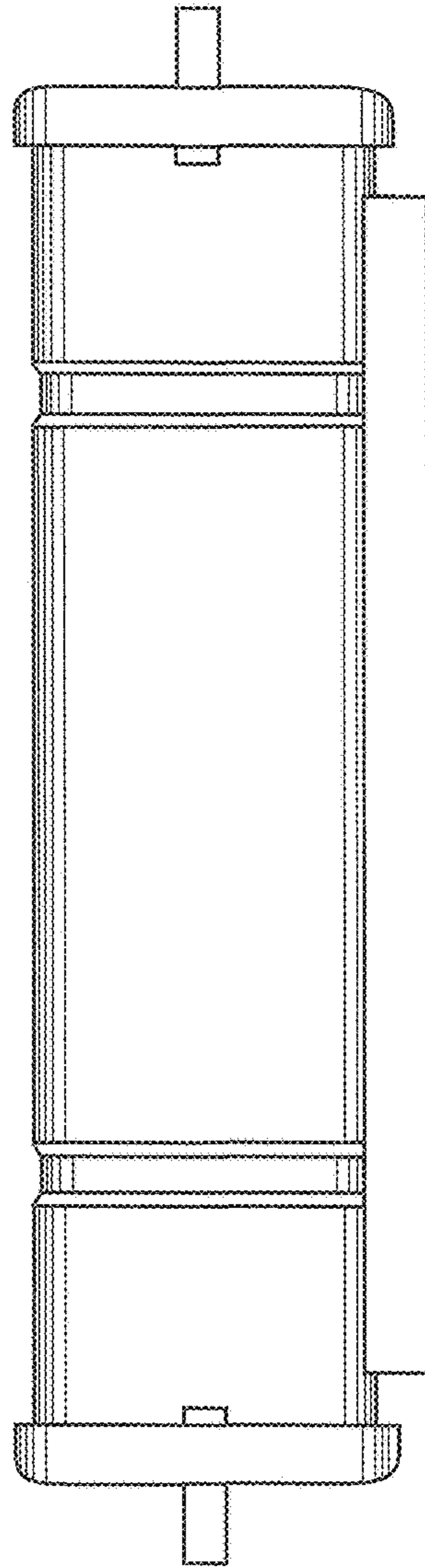


FIG. 5

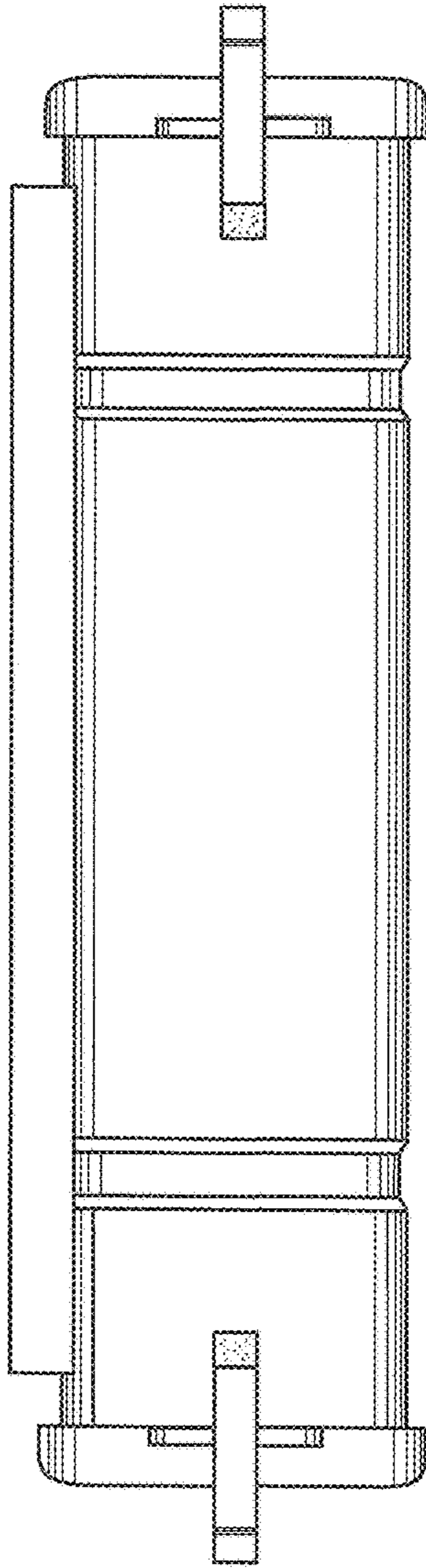


FIG. 6

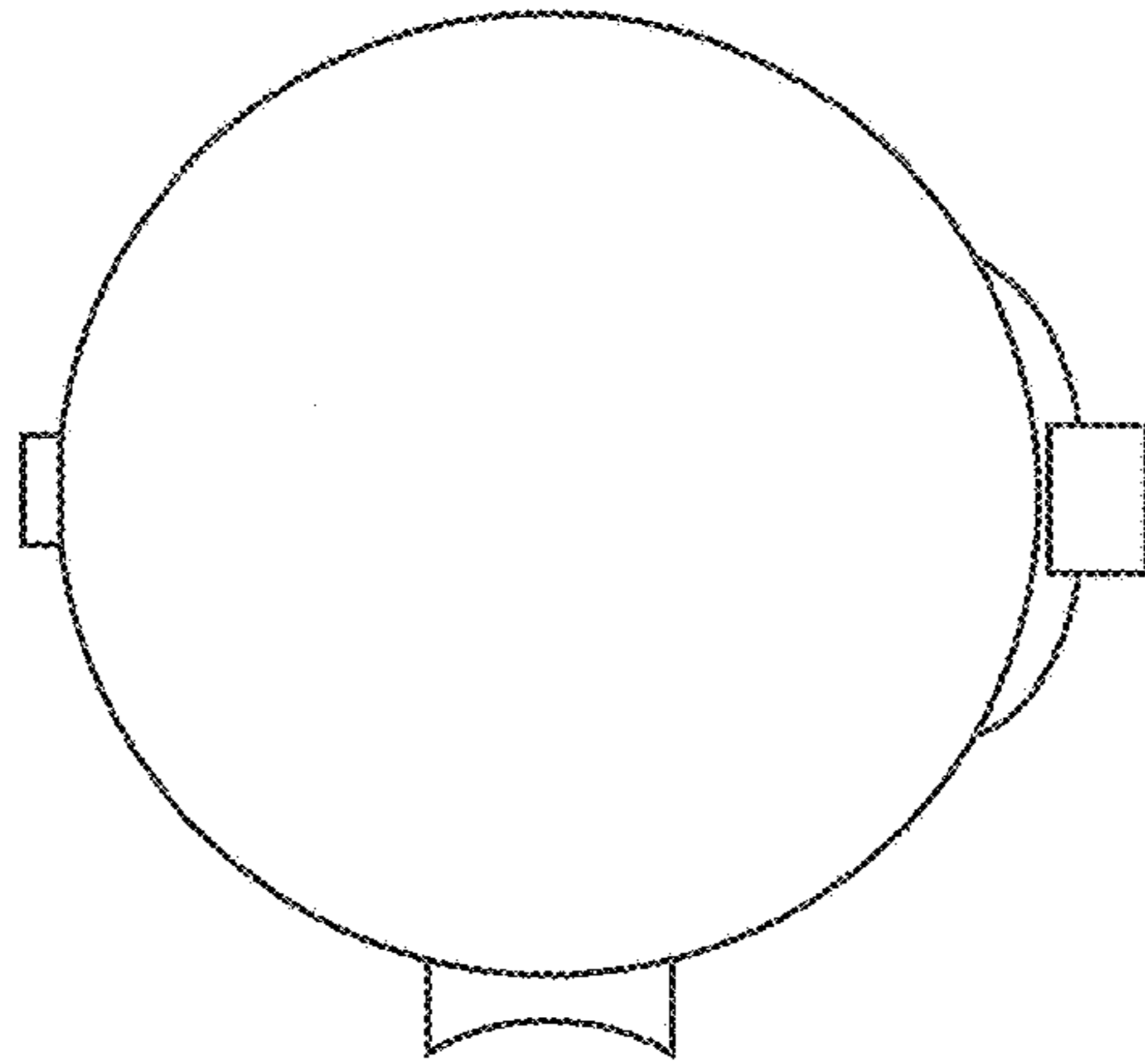


FIG. 7

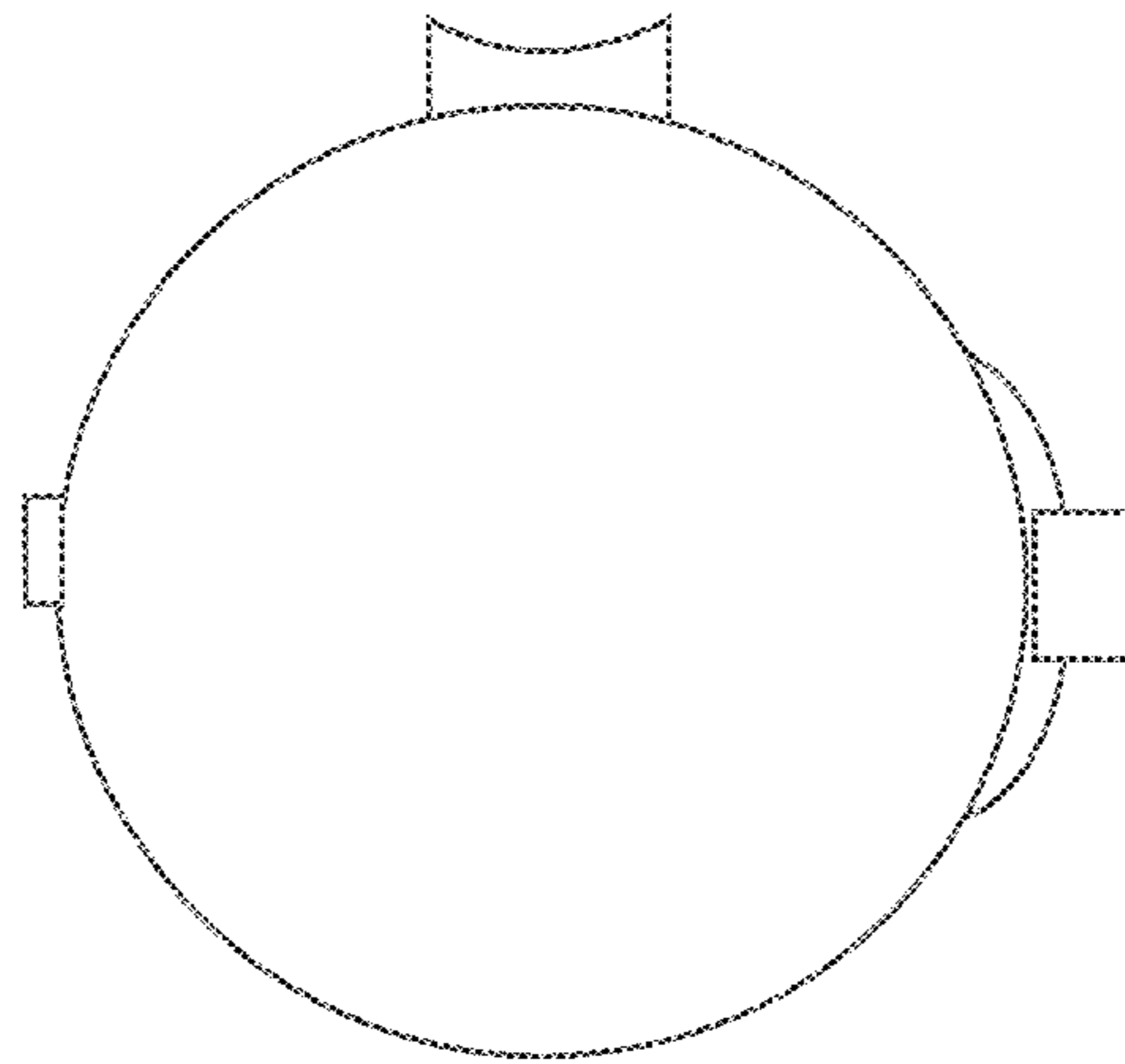


FIG. 8