



US00D837521S

(12) **United States Design Patent** (10) **Patent No.:** **US D837,521 S**  
**Connors et al.** (45) **Date of Patent:** **\*\* Jan. 8, 2019**

(54) **MEAT LUG**

(56) **References Cited**

(71) Applicant: **REMCON PLASTICS, Incorporated,**  
Reading, PA (US)

U.S. PATENT DOCUMENTS

(72) Inventors: **Peter James Connors,** Radnor, PA  
(US); **James Peter Connors,** Brooklyn,  
NY (US)

5,004,103	A *	4/1991	Connors	.....	B25H 3/02 206/372
D551,492	S *	9/2007	Schuler	.....	D7/354
D631,299	S *	1/2011	Samartgis	.....	D7/602
D631,707	S *	2/2011	Samartgis	.....	D7/602
D690,514	S *	10/2013	Shamp	.....	D3/304
D701,429	S *	3/2014	Krupa	.....	D7/552.1
D702,483	S *	4/2014	Green	.....	D7/354
D814,792	S *	4/2018	Perry	.....	D3/304
D828,710	S *	9/2018	Mirchandani	.....	D7/354

(73) Assignee: **REMCON PLASCTICS, INC.,**  
Reading, PA (US)

(\*\*) Term: **15 Years**

\* cited by examiner

(21) Appl. No.: **29/651,144**

*Primary Examiner* — Kelley A Donnelly

(22) Filed: **Dec. 29, 2017**

(74) *Attorney, Agent, or Firm* — Jonathan E. Grant; Grant  
Patent Service

**Related U.S. Application Data**

(63) Continuation-in-part of application No. 29/651,058,  
filed on Nov. 20, 2017.

(51) **LOC (11) Cl.** ..... **03-01**

(52) **U.S. Cl.**  
USPC ..... **D3/304**

(58) **Field of Classification Search**  
USPC ..... D7/552.1, 601, 602; D6/672, 675, 683;  
D3/304, 314, 315  
CPC ..... A47G 23/04; A47G 23/0683; B65D 1/00;  
B65D 1/22; B65D 11/20; B65D 2585/00  
See application file for complete search history.

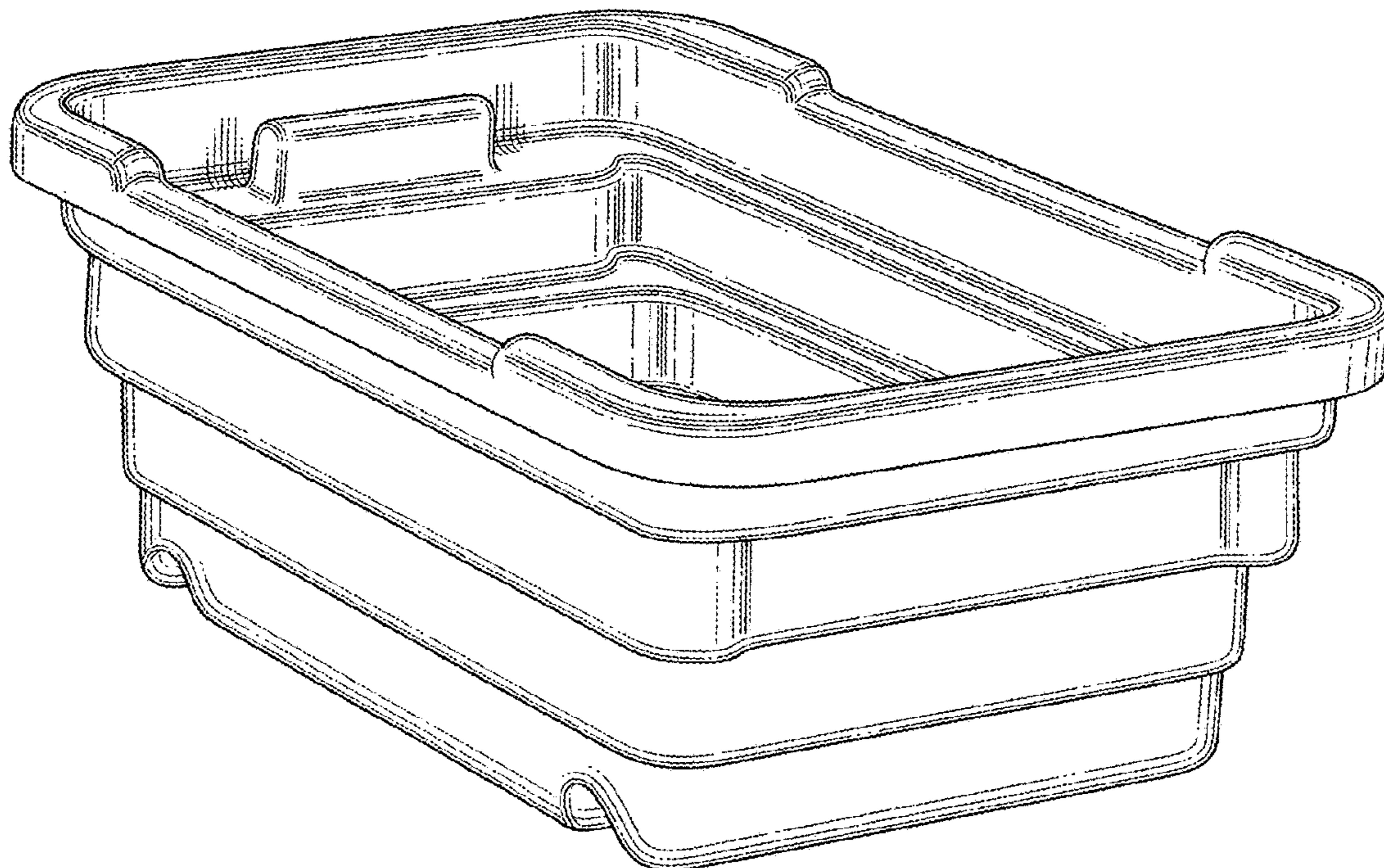
(57) **CLAIM**

The ornamental design for a meat lug, as shown and  
described.

**DESCRIPTION**

FIG. 1—is a perspective view of the meat lug;  
FIG. 2—is a perspective bottom view thereof;  
FIG. 3—is a front view thereof;  
FIG. 4 is a back view thereof;  
FIG. 5 is a first side view thereof  
FIG. 6—is a second side view thereof; and  
FIG. 7—is a top view thereof;  
FIG. 8—is a bottom view thereof; and,  
FIG. 9—is a cross sectional view thereof.

**1 Claim, 9 Drawing Sheets**



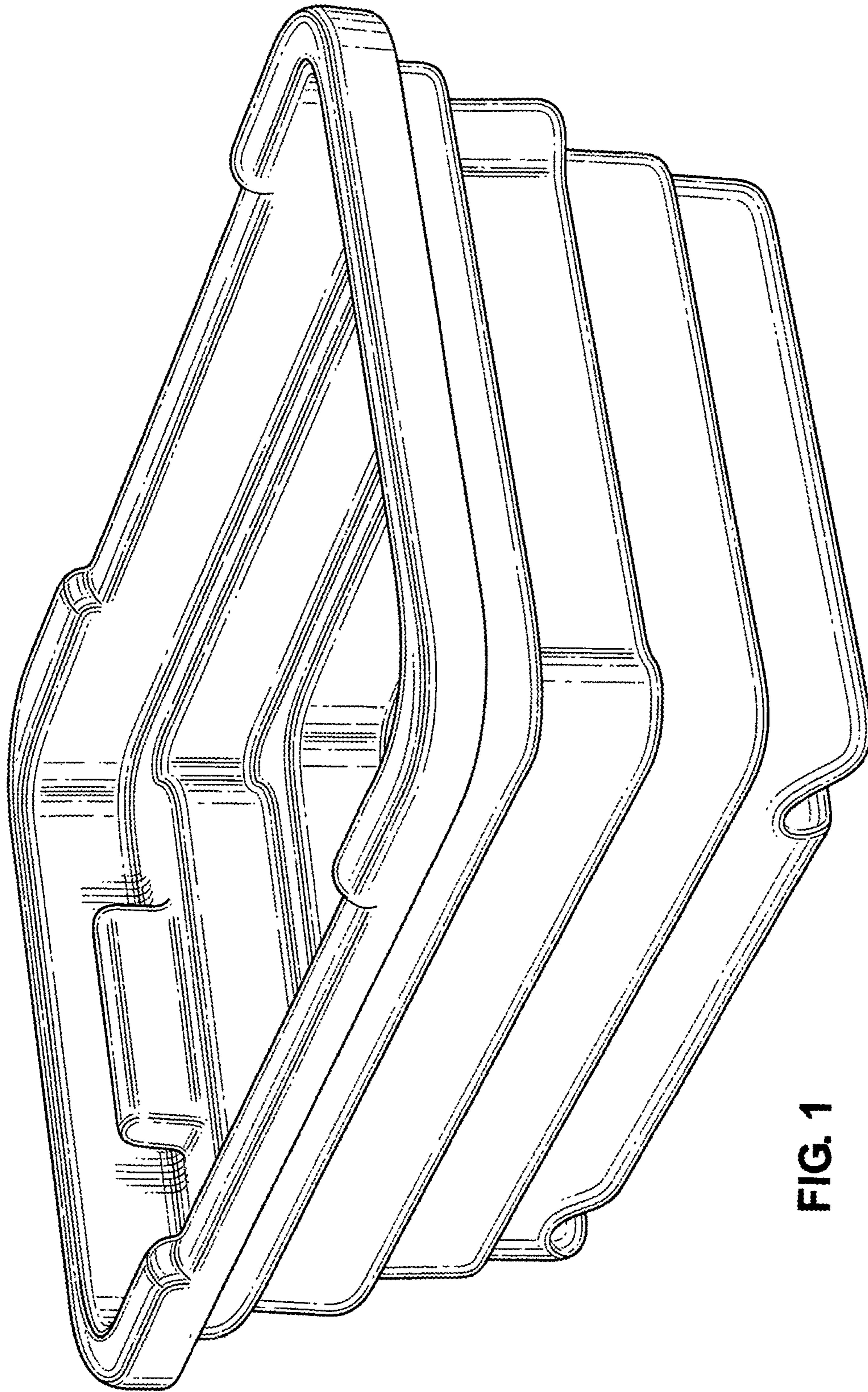


FIG. 1

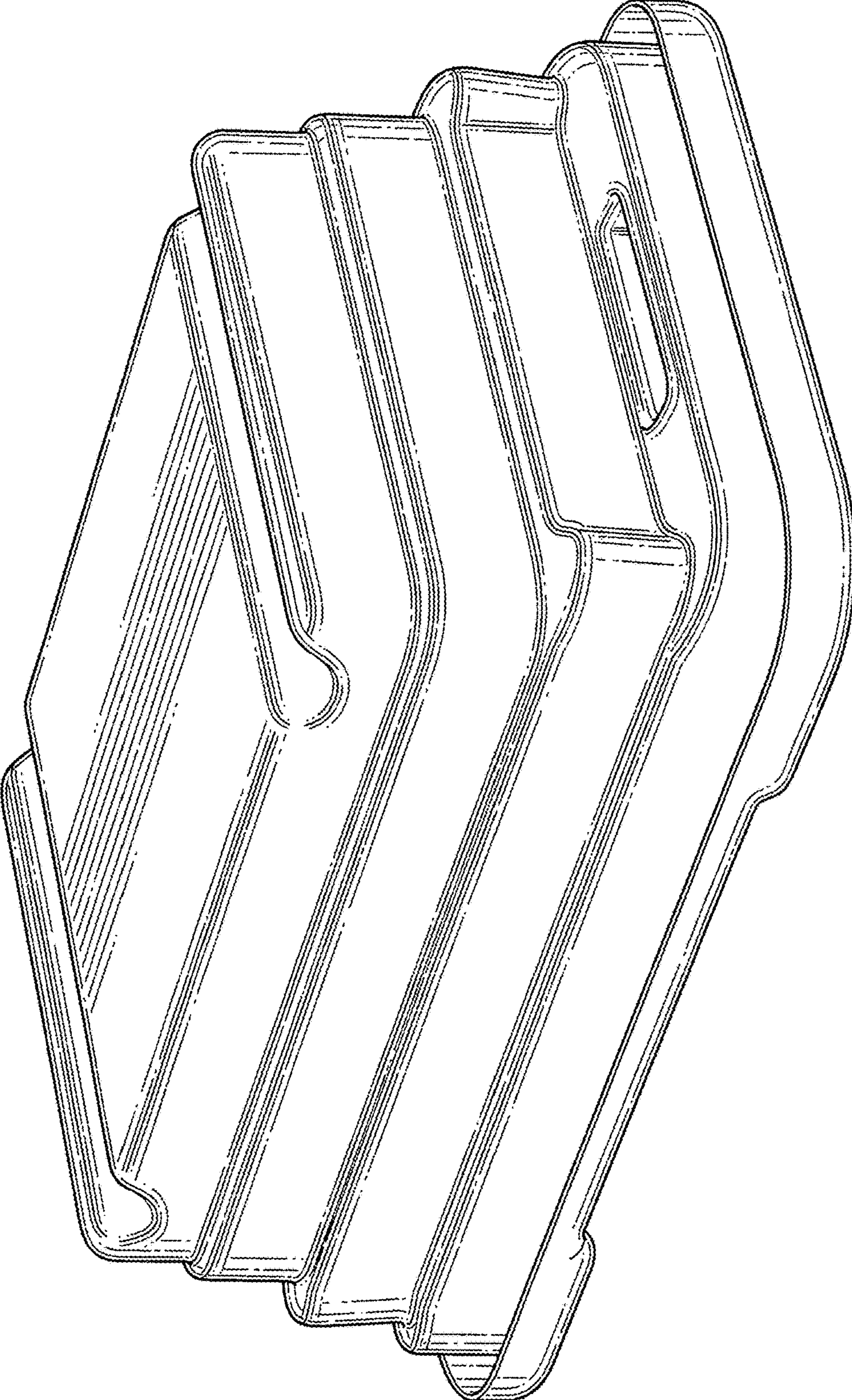


FIG. 2

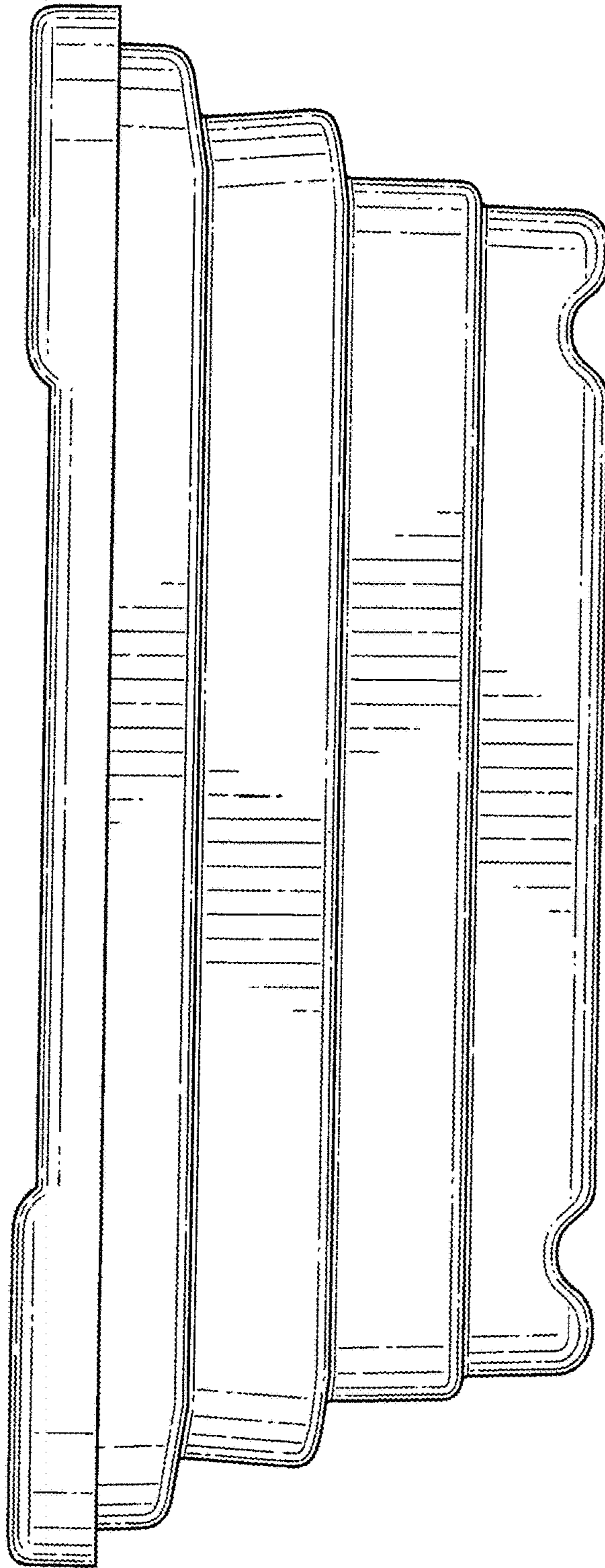


FIG. 3

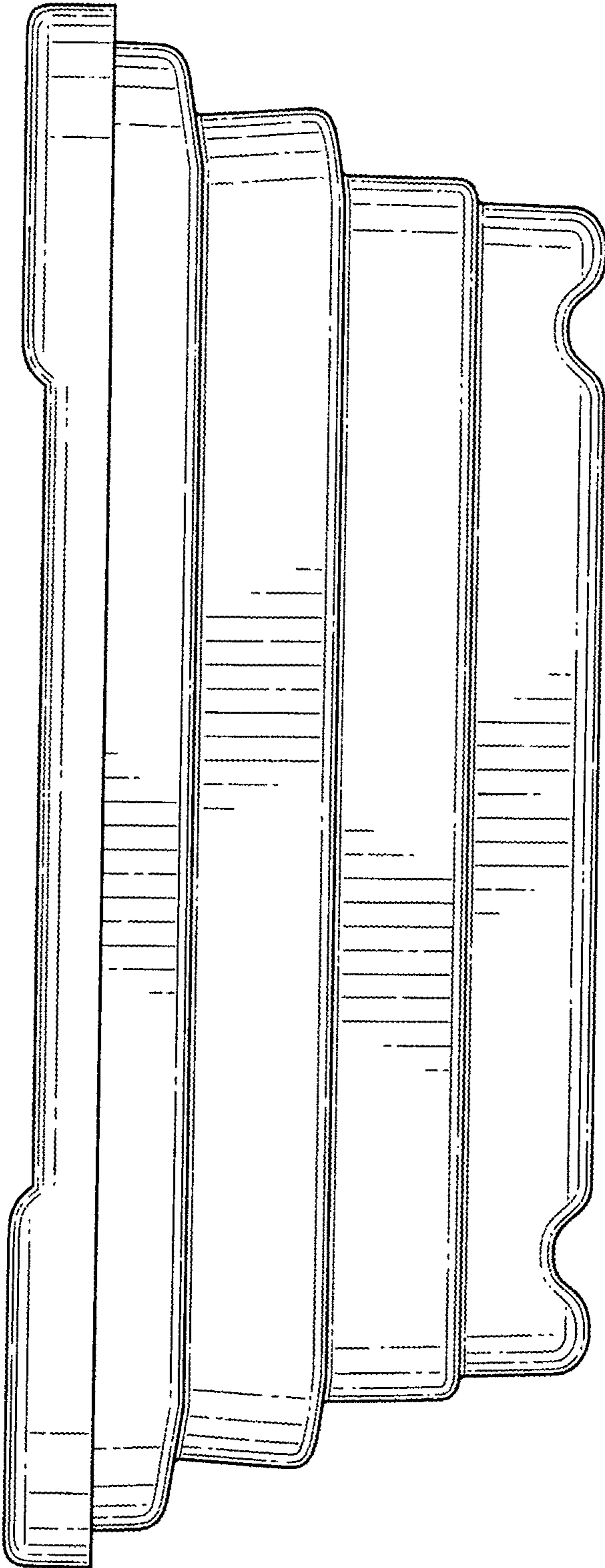


FIG. 4

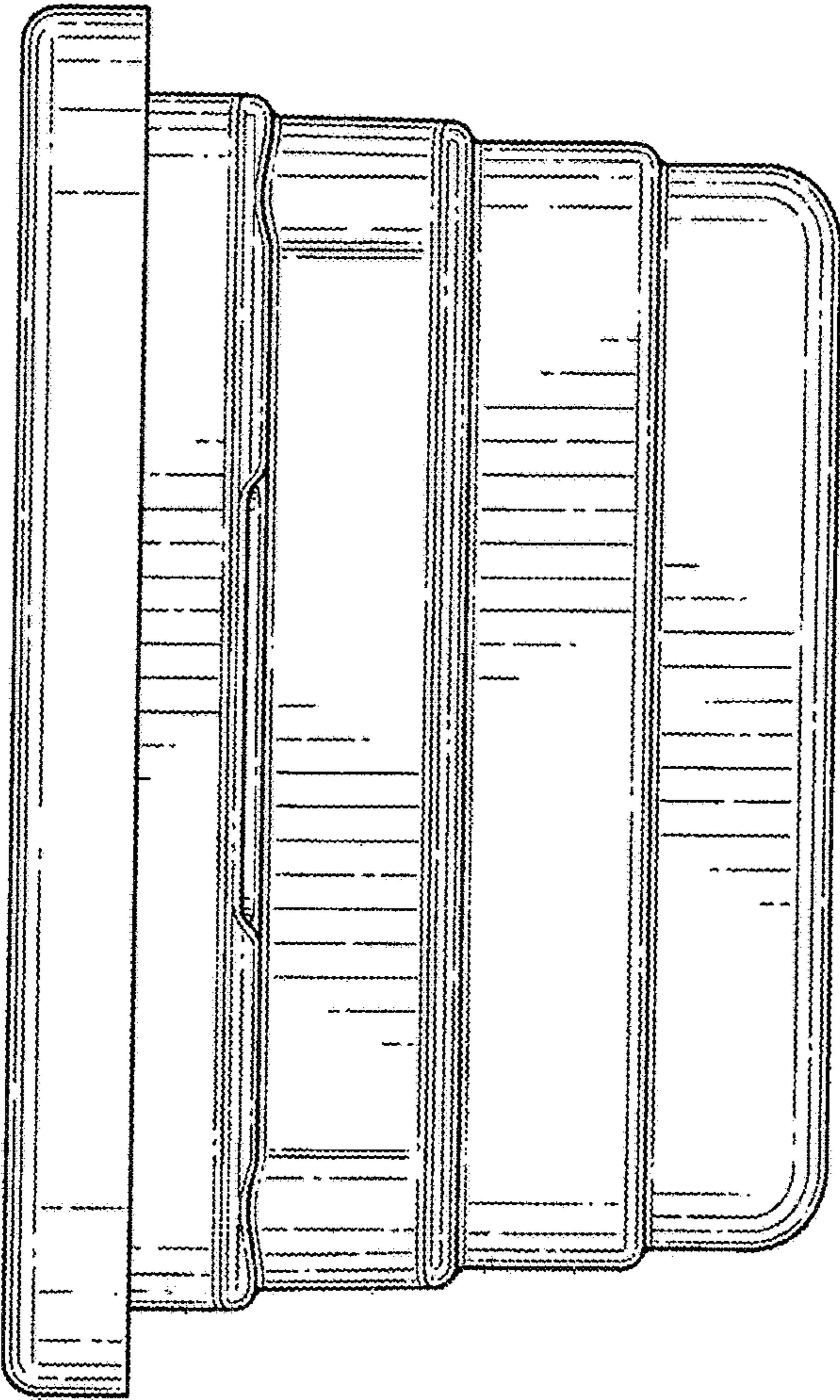


FIG. 5

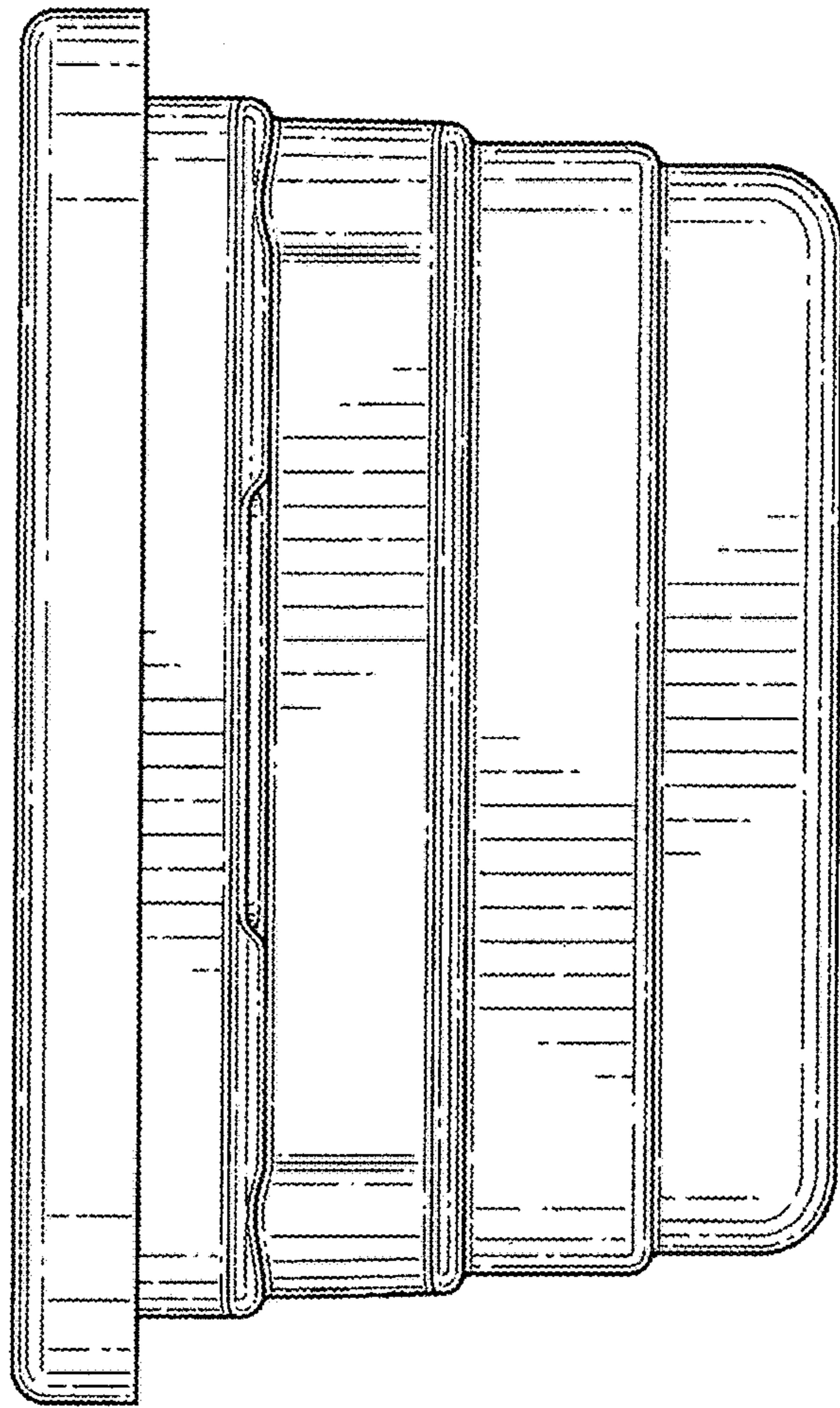


FIG. 6

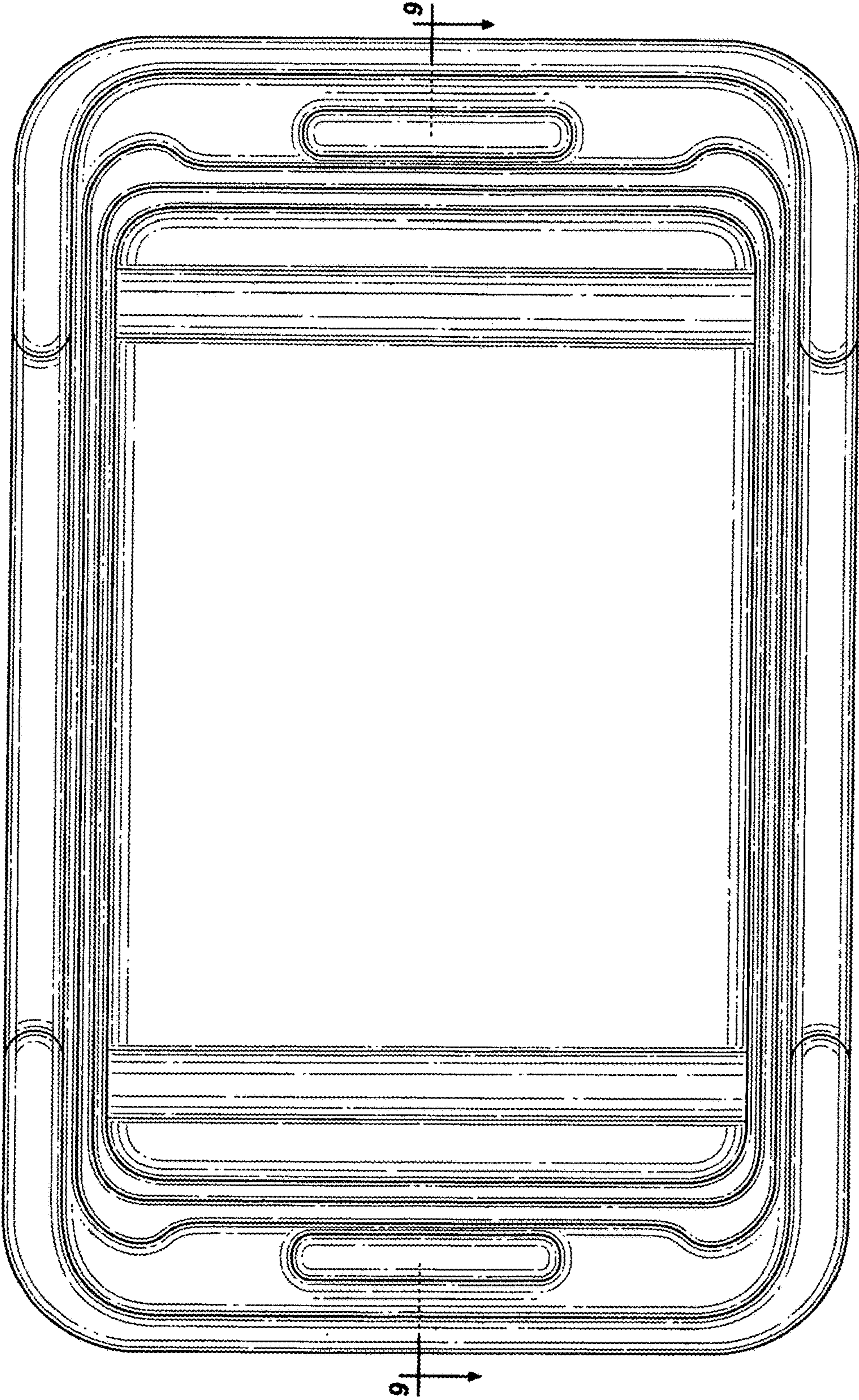


FIG. 7



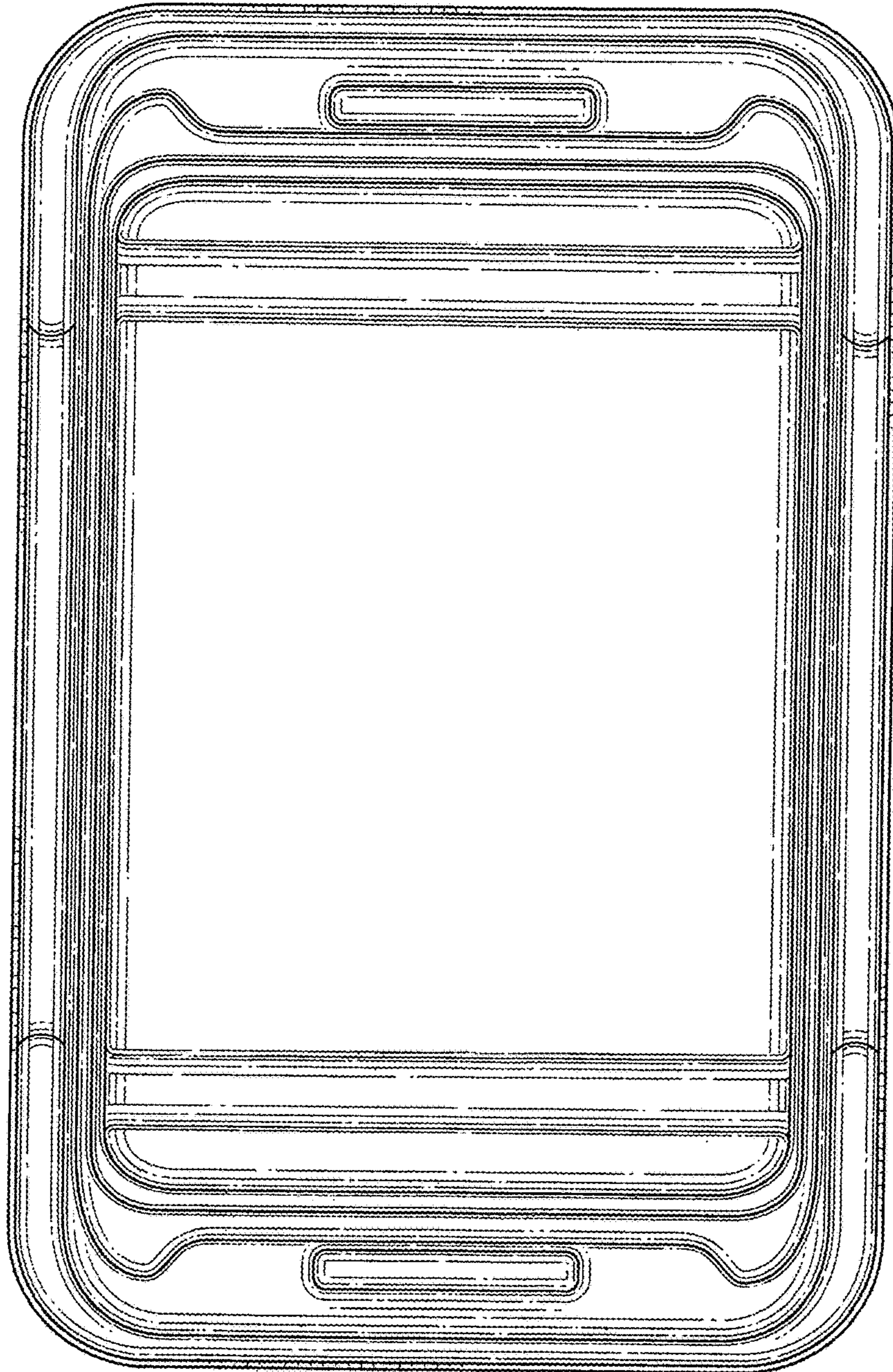


FIG. 8

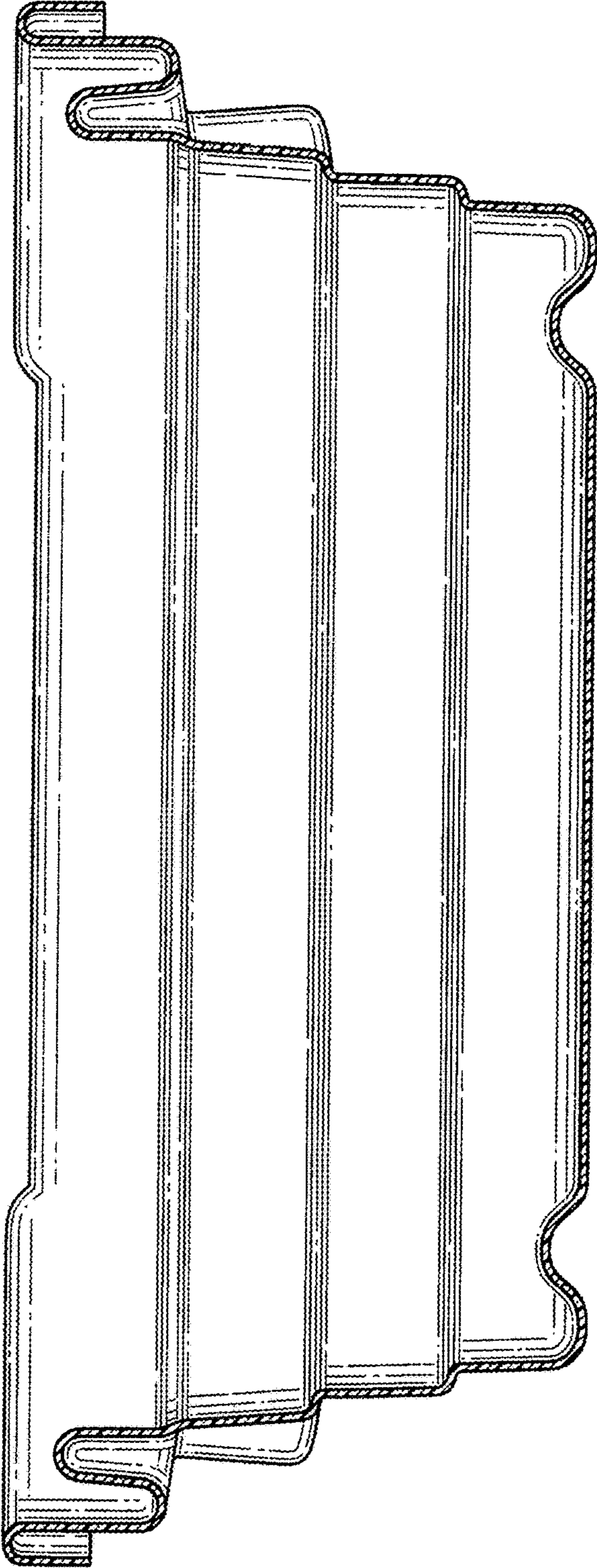


FIG. 9