



US00D837520S

(12) **United States Design Patent** (10) **Patent No.:** **US D837,520 S**
Shewmaker (45) **Date of Patent:** **** Jan. 8, 2019**

(54) **PARTS CONTAINER**

(71) Applicant: **DI GLOBAL, LLC**, Covington, WA (US)

(72) Inventor: **Michael R Shewmaker**, Covington, WA (US)

(73) Assignee: **DI GLOBAL, LLC**, Covington, WA (US)

(**) Term: **15 Years**

(21) Appl. No.: **29/611,237**

(22) Filed: **Jul. 19, 2017**

(51) **LOC (11) Cl.** **03-01**

(52) **U.S. Cl.**
 USPC **D3/304**

(58) **Field of Classification Search**
 USPC D6/672, 675, 682, 682.1, 683, 683.1;
 D3/304, 307, 308, 309, 314, 315
 CPC ... B65D 1/00; B65D 1/22; B65D 1/24; B65D
 1/243; B65D 11/20
 See application file for complete search history.

D635,031 S * 3/2011 Themann D9/520
 D669,273 S 10/2012 Nash
 D672,559 S 12/2012 Nash
 D673,370 S 1/2013 Nash
 D685,580 S 7/2013 Nash
 D686,824 S 7/2013 Nash
 D745,781 S * 12/2015 Hsu D3/304
 D762,065 S * 7/2016 Hsu D3/304
 D784,018 S * 4/2017 Shamp D3/304
 D790,856 S * 7/2017 Levy D3/304
 D812,910 S * 3/2018 Harvey D3/304
 2009/0178989 A1* 7/2009 Accuardi A47B 87/0269
 211/126.7
 2012/0074024 A1* 3/2012 Kobilarcik B65D 21/0212
 206/509

* cited by examiner

Primary Examiner — Kelley A Donnelly
 (74) *Attorney, Agent, or Firm* — R. Reams Goodloe, Jr.

(57) **CLAIM**

The ornamental design for a parts container, as shown and described.

DESCRIPTION

FIG. 1 is a perspective view of the parts container showing the novel design.
 FIG. 2 is a front view thereof.
 FIG. 3 is a back view thereof.
 FIG. 4 is a right side view thereof.
 FIG. 5 is a left side view thereof.
 FIG. 6 is a top plan view thereof; and,
 FIG. 7 is a bottom plan view thereof.
 In each of the drawing figures, surface shading and transparency lines are used to clearly show the character and contour of surfaces of the 3-dimensional aspects of the design, and form no part a part of the design sought to be protected.

1 Claim, 3 Drawing Sheets

(56) **References Cited**

U.S. PATENT DOCUMENTS

5,271,515 A * 12/1993 Berkheimer B65D 21/023
 206/503
 D343,766 S * 2/1994 Bastidos D7/614
 5,678,701 A * 10/1997 Anderson A47F 5/0025
 206/490
 D429,882 S * 8/2000 Lee D3/294
 D464,887 S * 10/2002 Sherwell D7/612
 D509,438 S * 9/2005 Woerz D9/563
 D533,330 S * 12/2006 Beaulieu D99/34
 D605,856 S 12/2009 Wu
 D623,954 S * 9/2010 Hawry D9/522
 D633,473 S * 3/2011 Takeshi Yeung D14/207

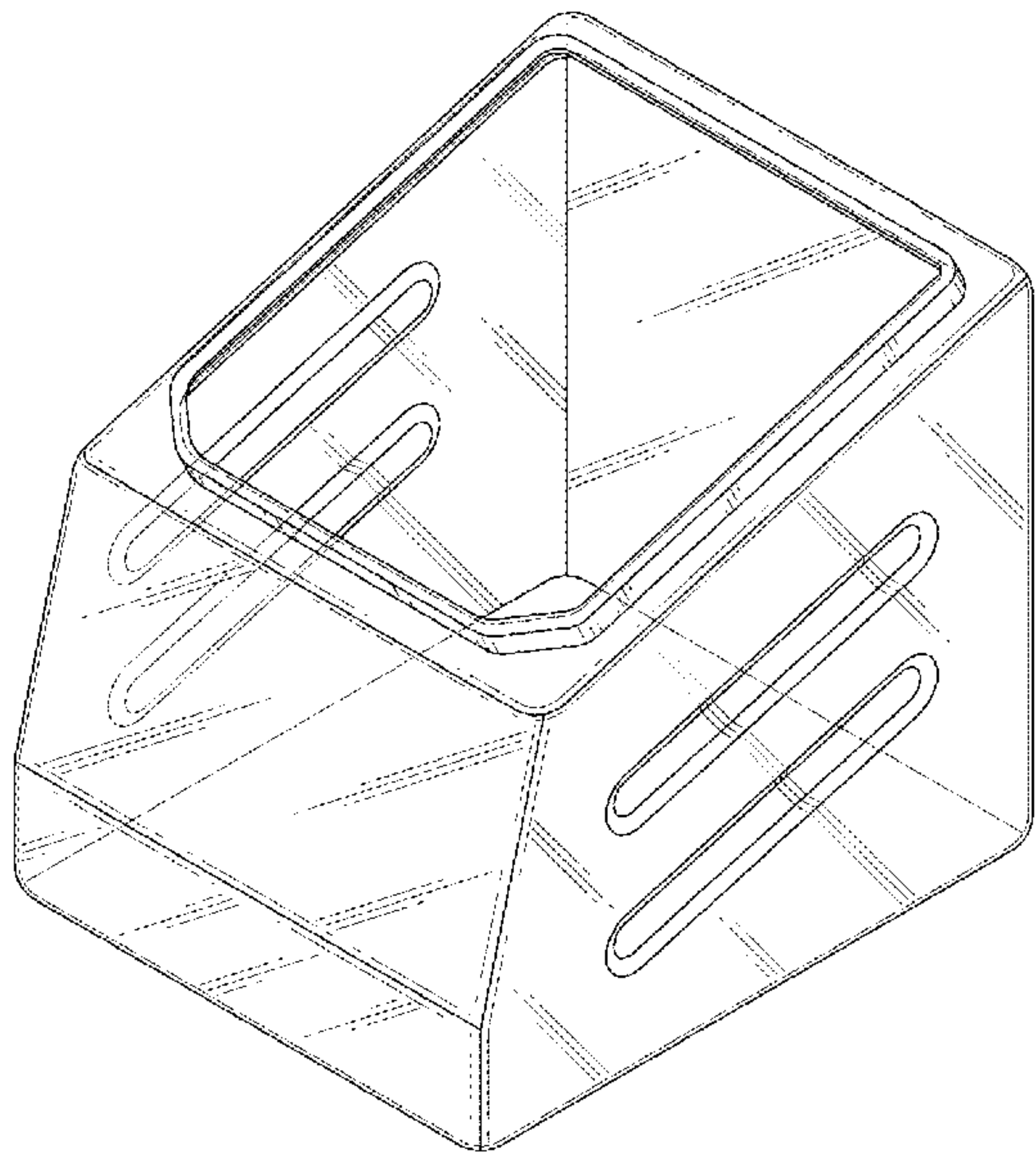


FIG. 1

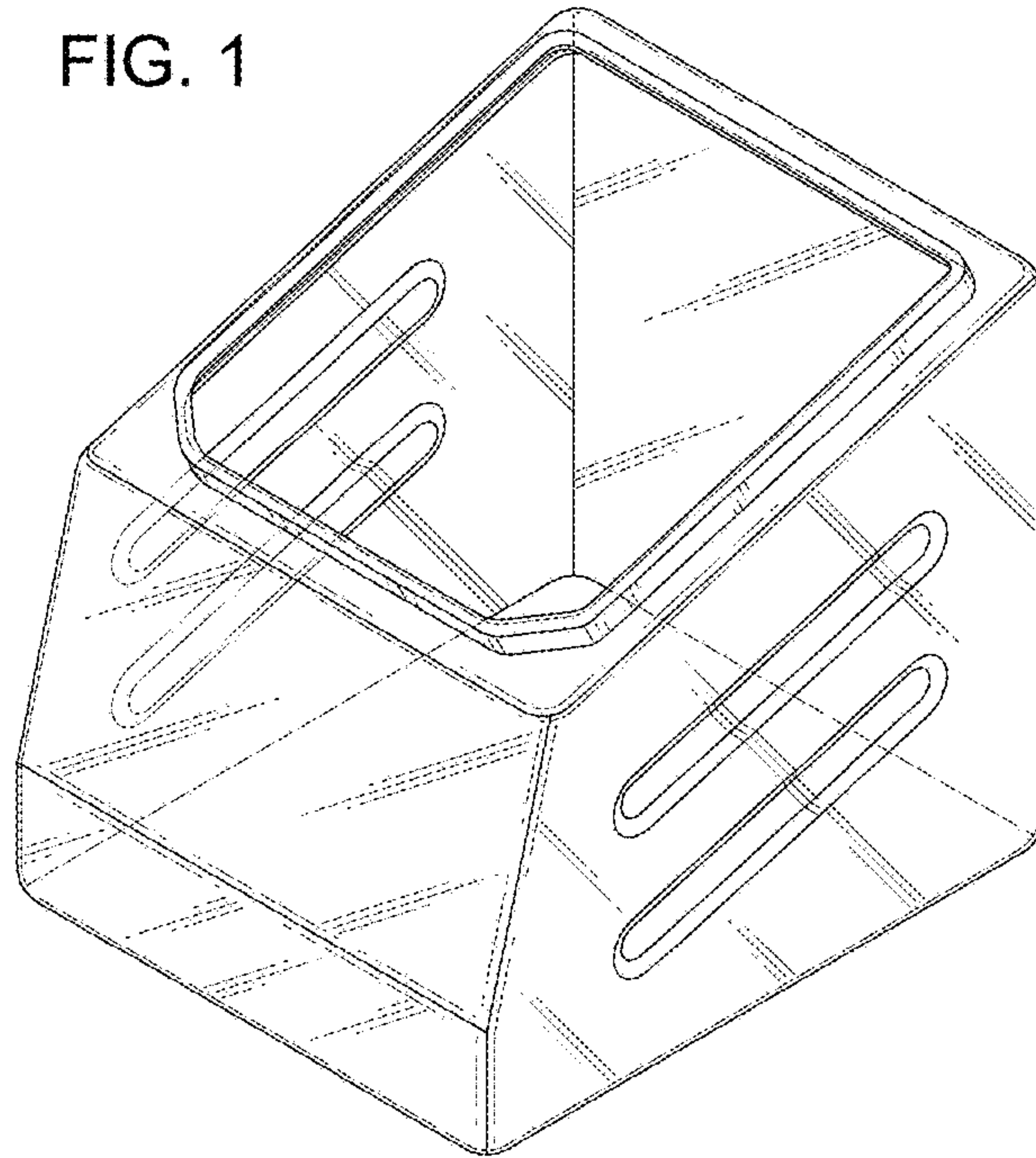


FIG. 2

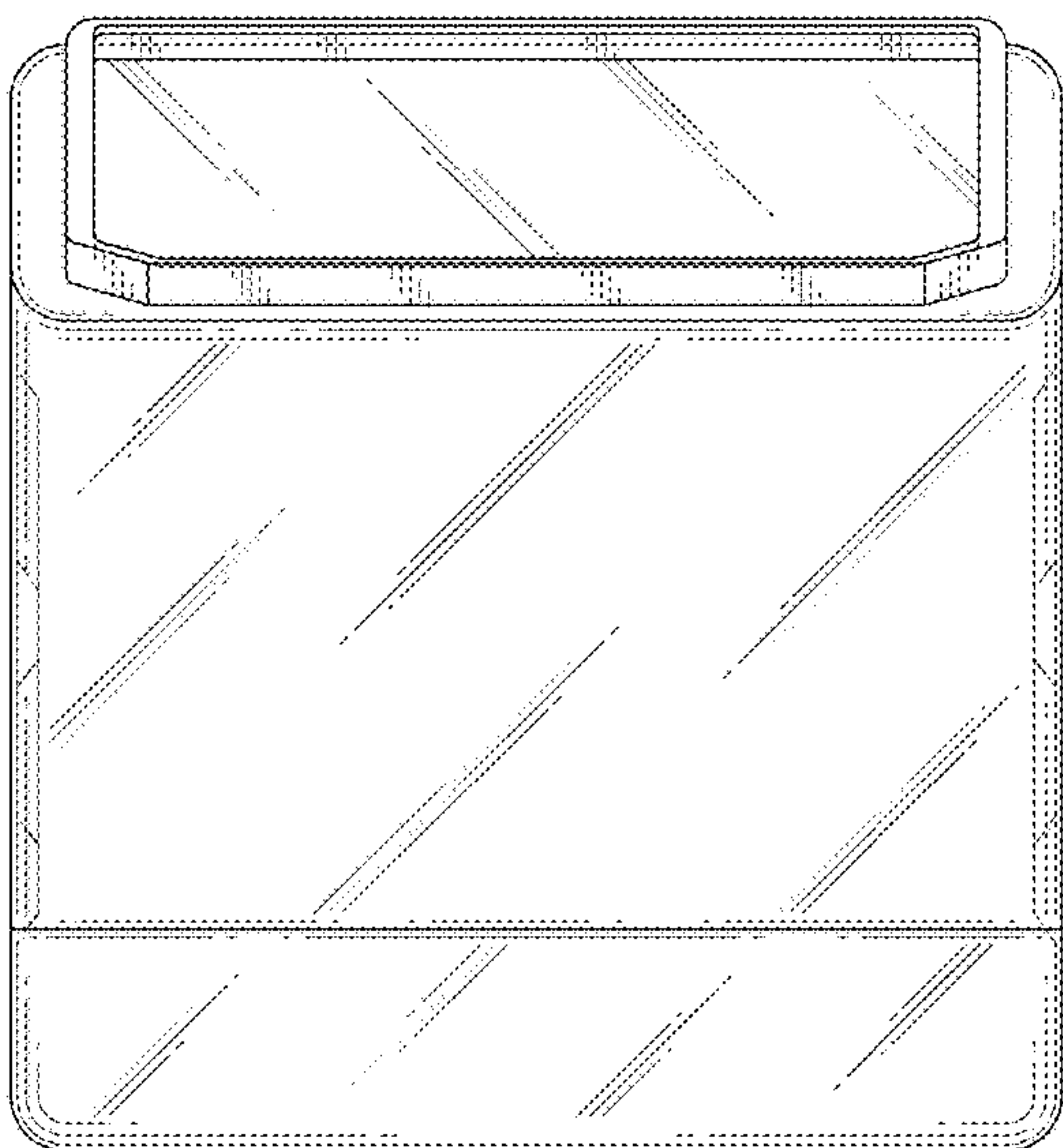


FIG. 3

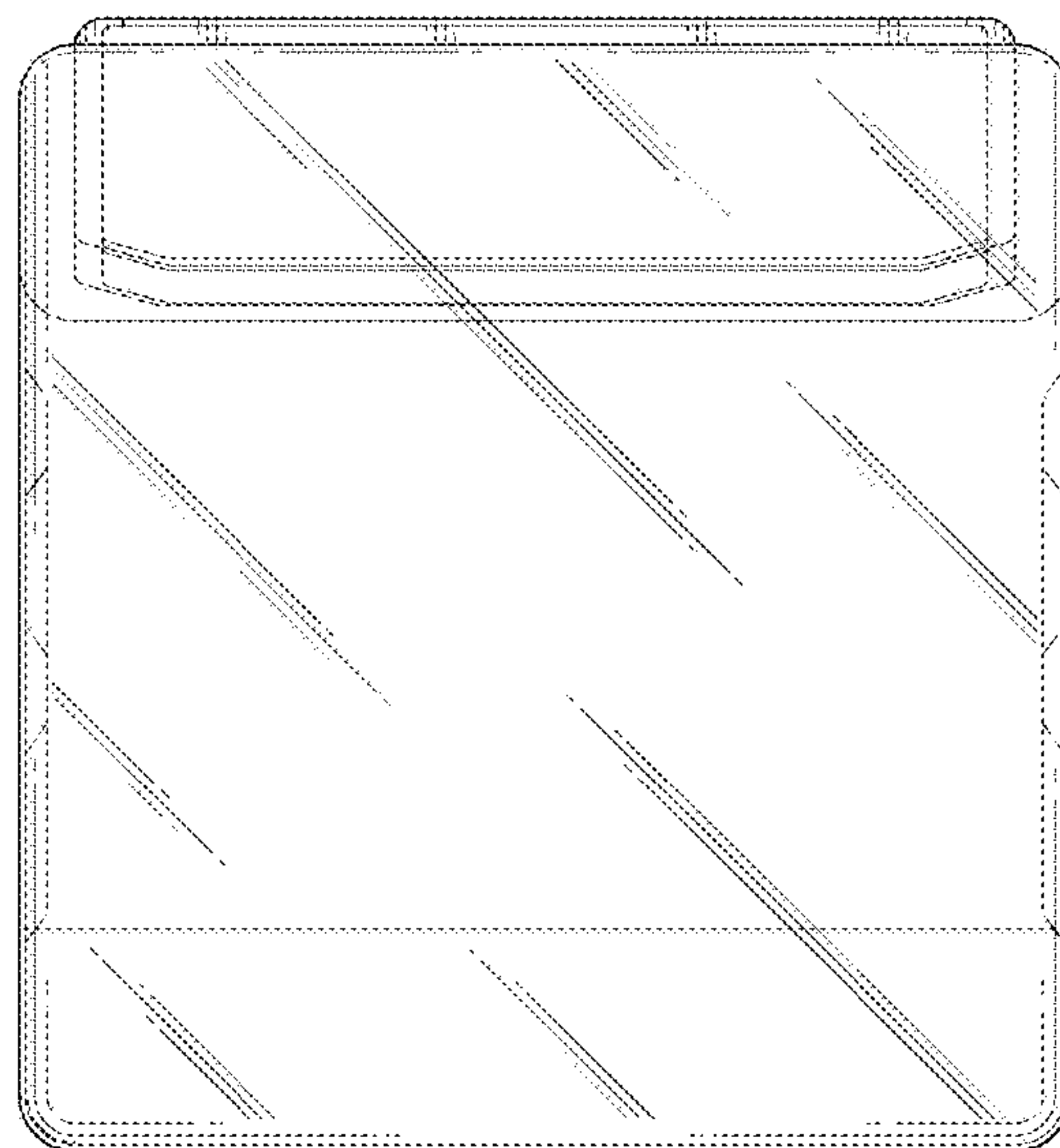


FIG. 4

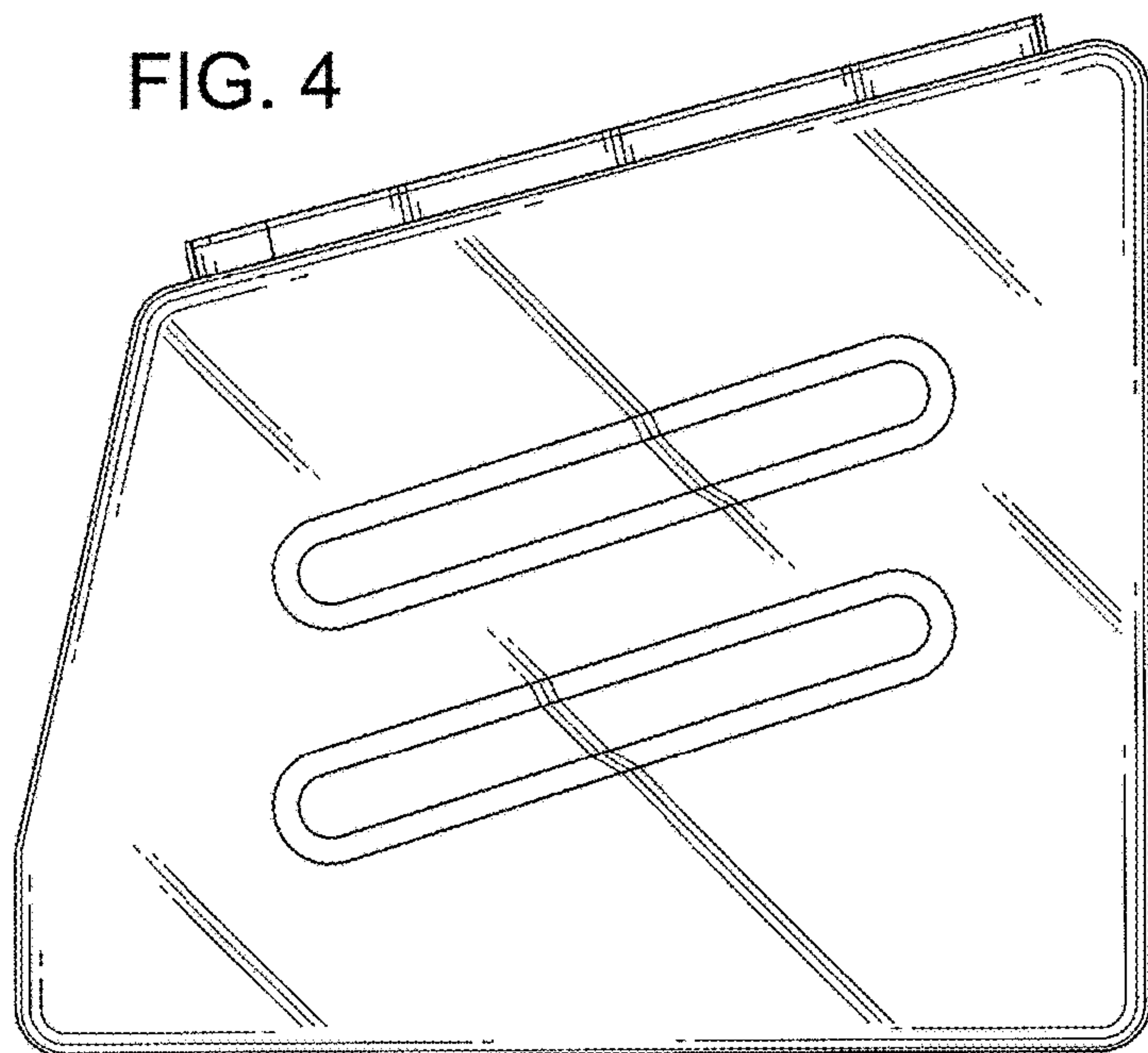


FIG. 5

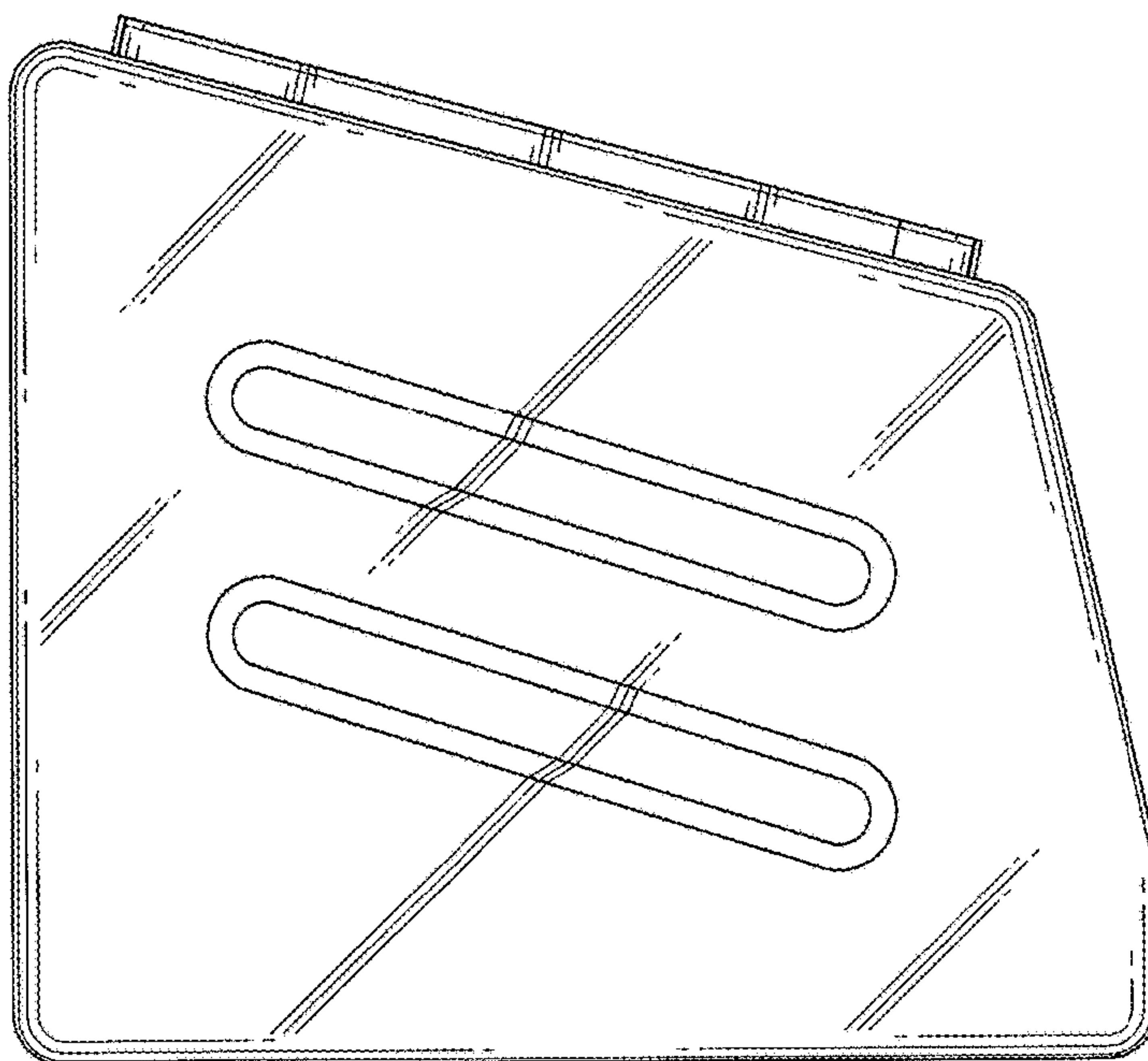


FIG. 6

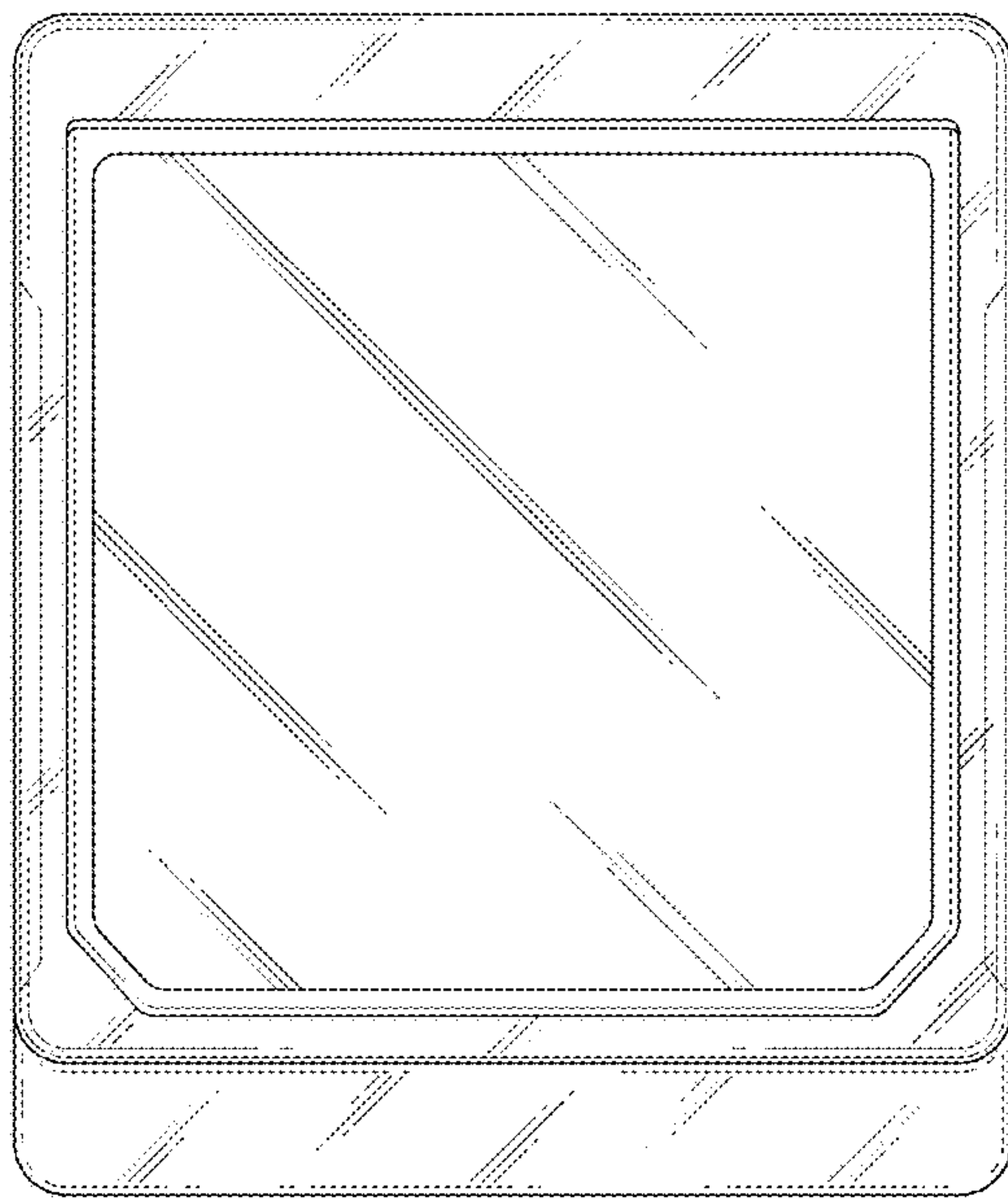


FIG. 7

