



US00D837518S

(12) **United States Design Patent**  
**Chang**

(10) **Patent No.:** **US D837,518 S**  
(45) **Date of Patent:** **\*\* Jan. 8, 2019**

(54) **CASE FOR VEHICLE JUMPER CABLE**

(71) Applicant: **Yi-Fan Chang**, New Taipei (TW)

(72) Inventor: **Yi-Fan Chang**, New Taipei (TW)

(\*\*) Term: **15 Years**

(21) Appl. No.: **29/602,724**

(22) Filed: **May 3, 2017**

(30) **Foreign Application Priority Data**

Nov. 7, 2016 (CN) ..... 2016 3 0539757

(51) **LOC (11) Cl.** ..... **03-01**

(52) **U.S. Cl.**  
USPC ..... **D3/302; D3/905; D13/120**

(58) **Field of Classification Search**  
USPC ..... D3/203.2, 203.3, 203.6, 205, 273, 279,  
D3/276, 284, 294, 302, 901, 903, 905,  
D3/298; D13/149, 152, 120; D12/400  
CPC ..... B25H 3/00; B25H 3/003; B25H 3/006;  
B25H 3/02; B25H 3/022; H01M 2/1005;  
H02S 40/34  
See application file for complete search history.

(56) **References Cited**

**U.S. PATENT DOCUMENTS**

D199,397 S \* 10/1964 Foster et al. .... D13/152  
D281,314 S \* 11/1985 Bates ..... D13/120  
D284,956 S \* 8/1986 Bates ..... D13/107  
D284,957 S \* 8/1986 Bates ..... D13/107  
D285,063 S \* 8/1986 Bates ..... D13/107  
5,297,977 A \* 3/1994 Lamper ..... H01R 13/72  
320/105  
5,607,794 A \* 3/1997 Koenig ..... H01M 2/1005  
429/100  
D443,592 S \* 6/2001 Frattini ..... D13/152  
D507,241 S \* 7/2005 Koessler ..... D13/152  
D553,093 S \* 10/2007 Miller ..... D13/152  
D617,558 S \* 6/2010 Myers ..... D3/302

D676,814 S \* 2/2013 Paul ..... D13/152  
D682,791 S \* 5/2013 Nikayin ..... D13/152  
D686,995 S \* 7/2013 Nikayin ..... D13/152  
9,041,342 B2 \* 5/2015 Dickson ..... H01M 6/52  
320/104  
D761,008 S \* 7/2016 Lande ..... D3/203.2  
2004/0239290 A1 \* 12/2004 Krieger ..... H01M 2/1072  
320/105  
2014/0043780 A1 \* 2/2014 Tsai ..... H05K 5/0026  
361/752  
2017/0346440 A1 \* 11/2017 Lester ..... H02S 40/34

**OTHER PUBLICATIONS**

Amazon, "Nineleaf 1 Pack Weatherproof Junction Box . . . ", First for sale on Nov. 24, 2017. (<http://www.amazon.com/dp/B077QM9VM9/>).

Amazon, "3 Port/Way DC Pass Outdoor/Weatherproof Aerial Splitter—External TV/DAB Freeview Booster Junction Box", First reviewed on Dec. 22, 2014. (<https://www.amazon.co.uk/Weatherproof-Splitter-External-Freeview-UHF-Digital-HD-Black/dp/B00L48RDYI/>).

\* cited by examiner

*Primary Examiner* — Jennifer Rivard

*Assistant Examiner* — April Rivas

(74) *Attorney, Agent, or Firm* — Leong C. Lei

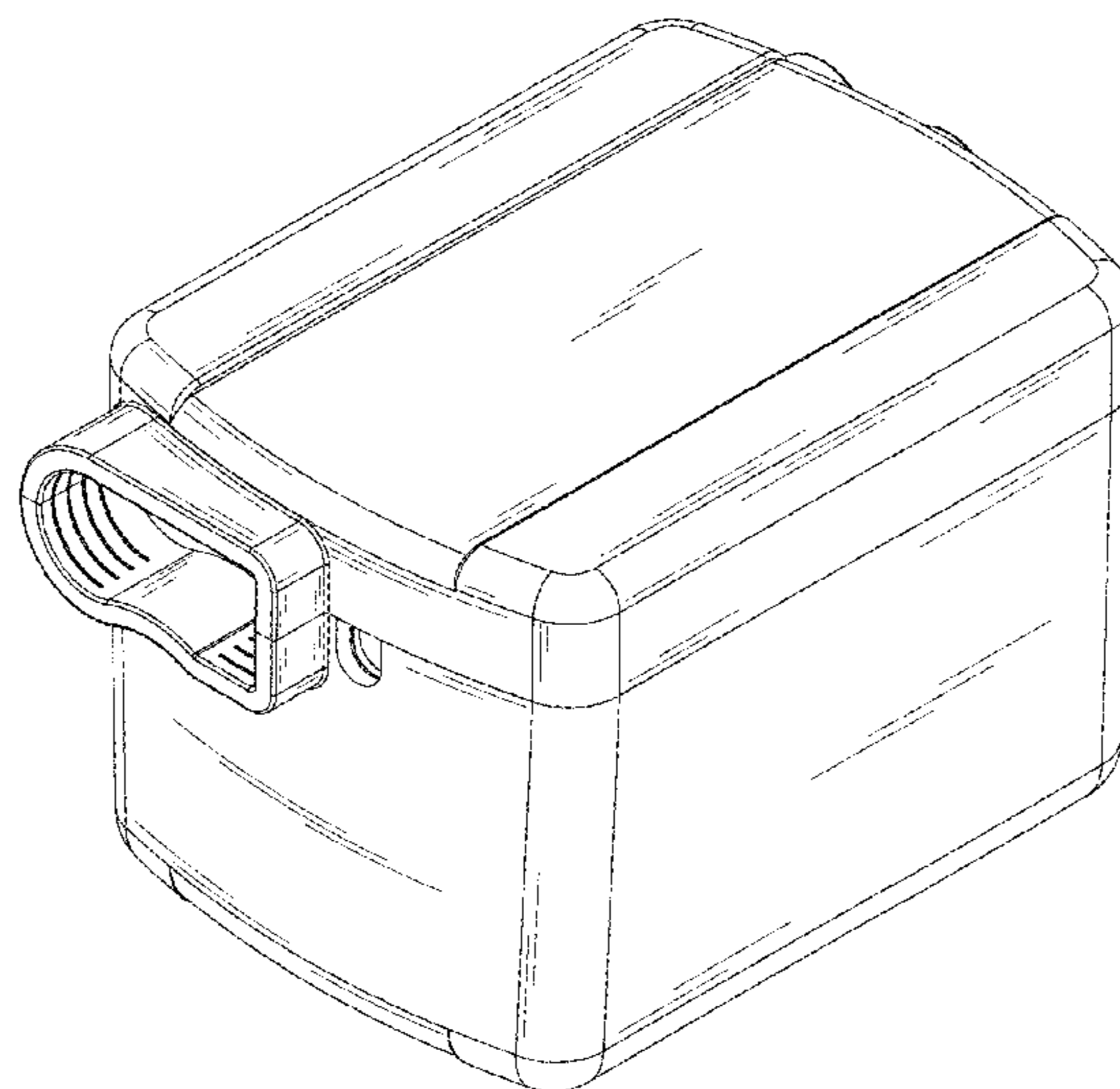
(57) **CLAIM**

The ornamental design for a case for vehicle jumper cable, as shown and described.

**DESCRIPTION**

FIG. 1 is a front perspective view of a case for vehicle jumper cable showing my new design; FIG. 2 is a front elevational view thereof; FIG. 3 is a rear elevational view thereof; FIG. 4 is a left elevational view thereof; FIG. 5 is a right elevational view thereof; FIG. 6 is a top plan view thereof; and, FIG. 7 is a bottom plan view thereof.

**1 Claim, 7 Drawing Sheets**



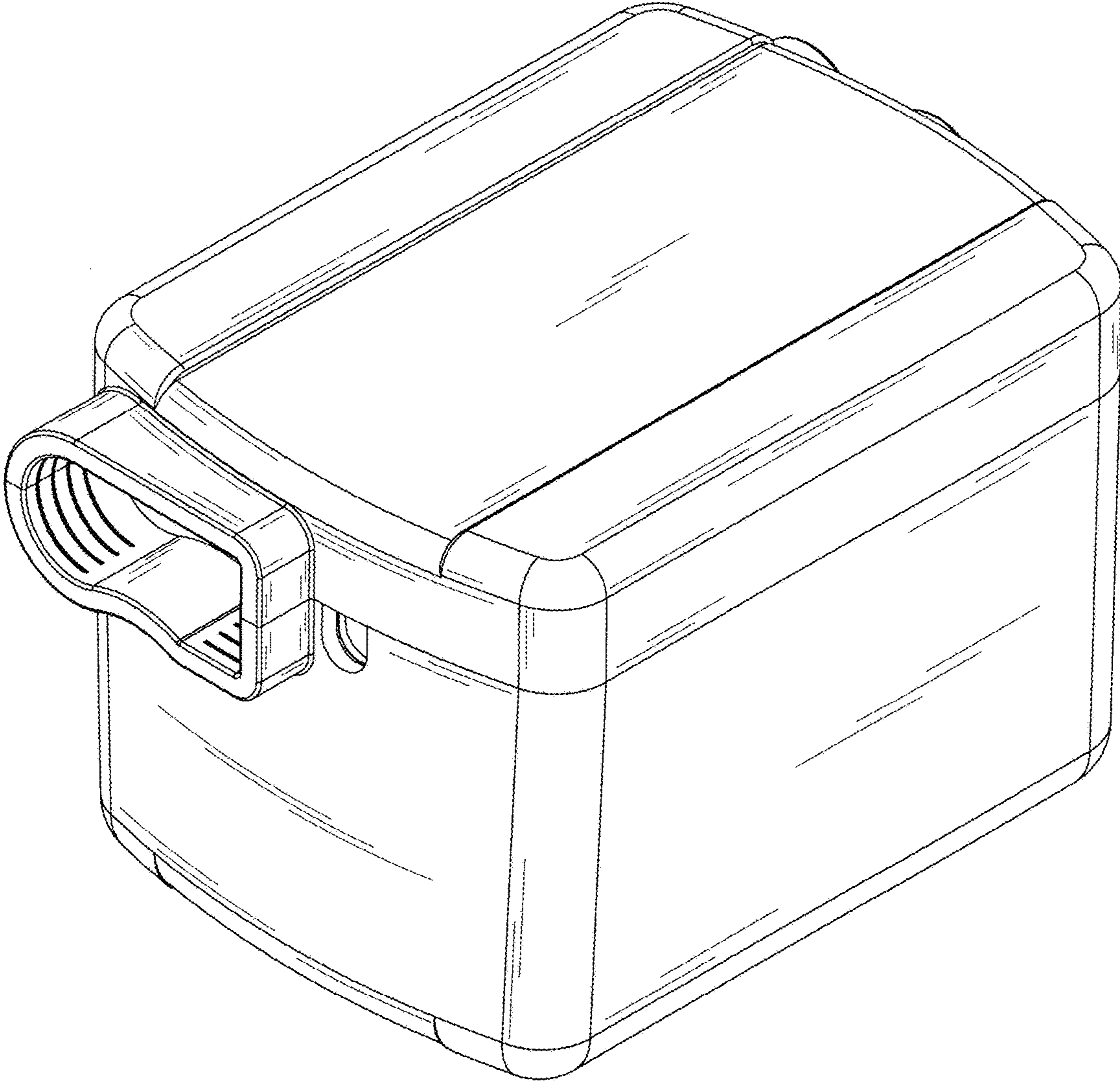


FIG. 1

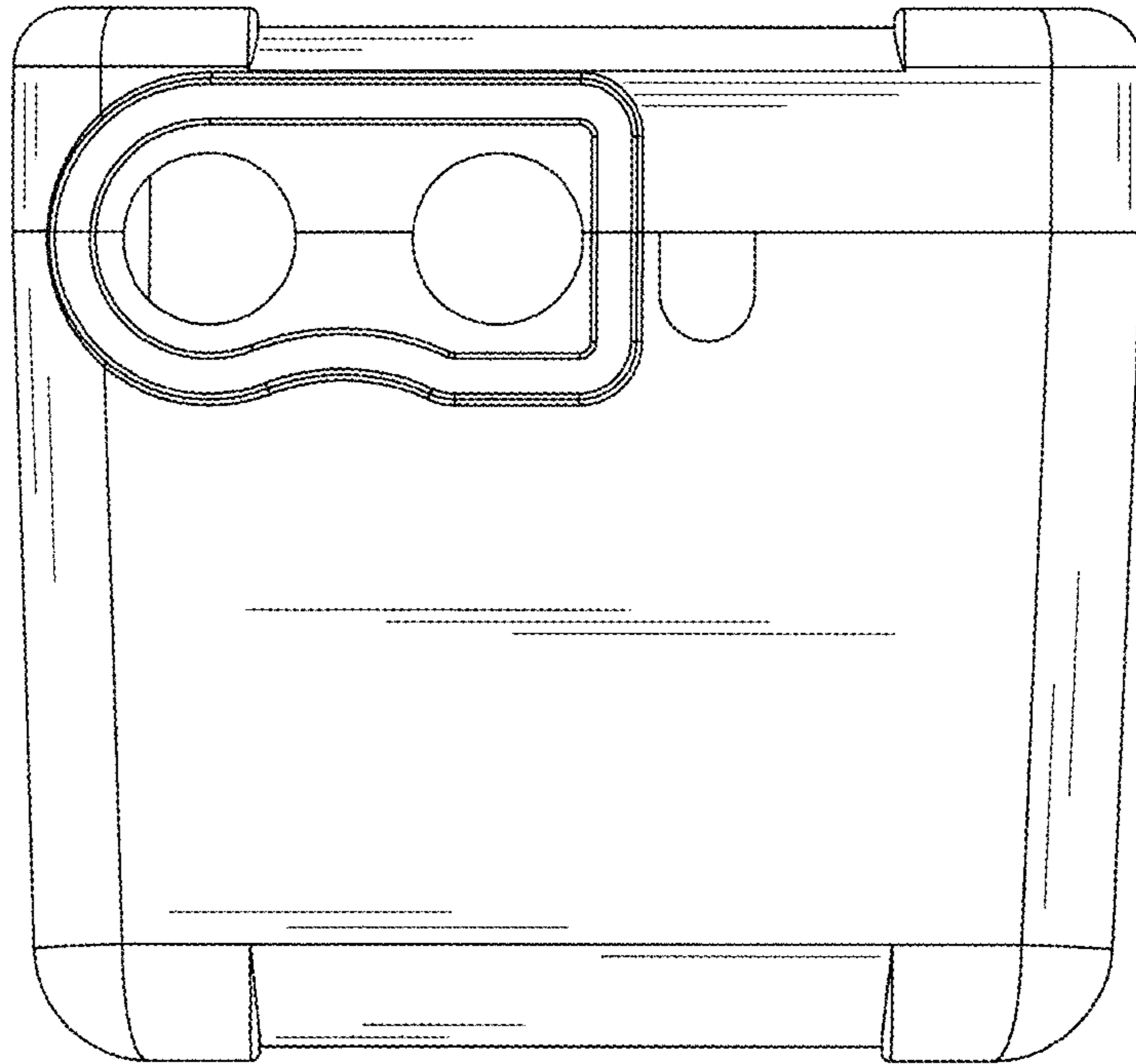


FIG. 2

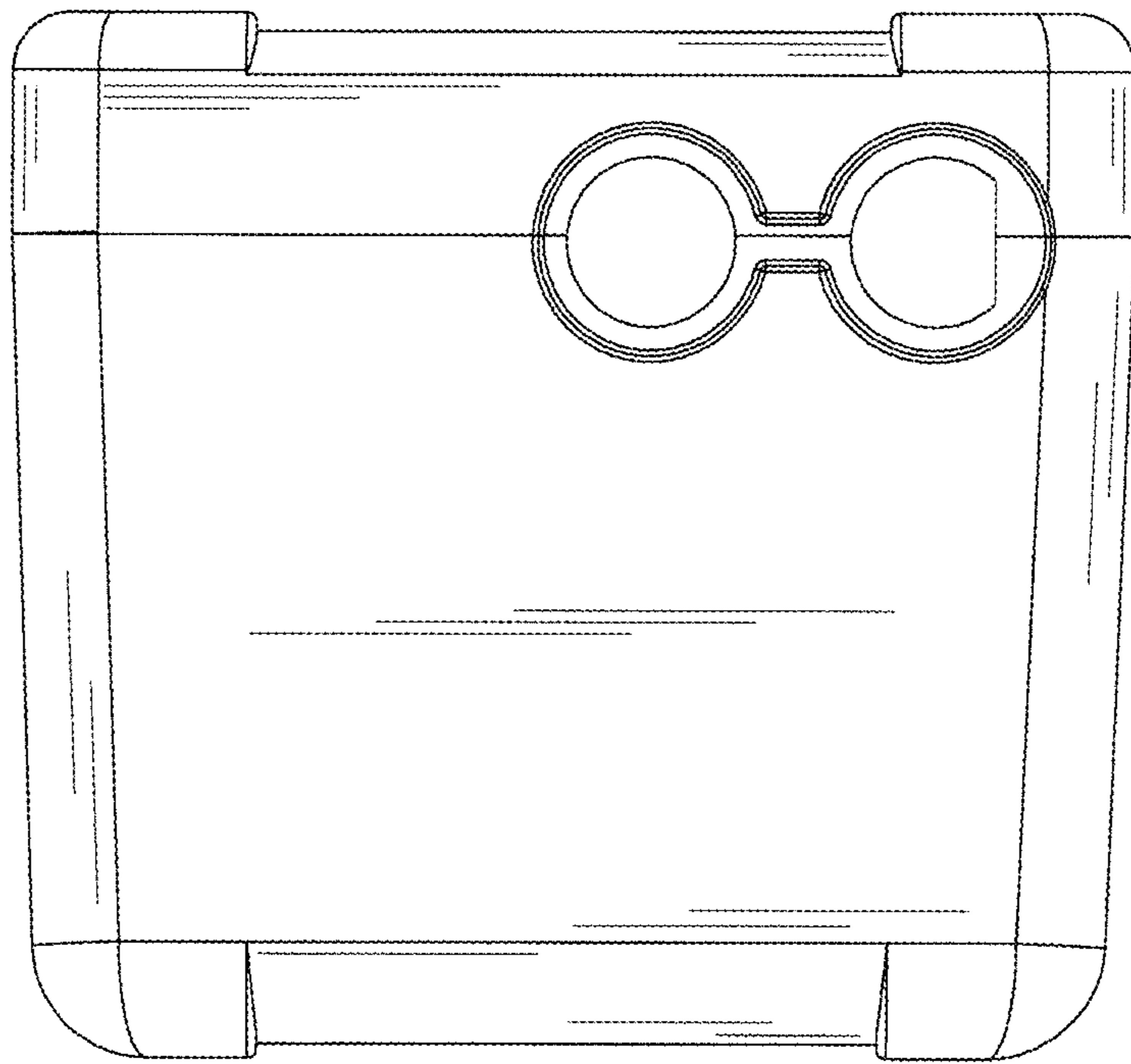


FIG. 3

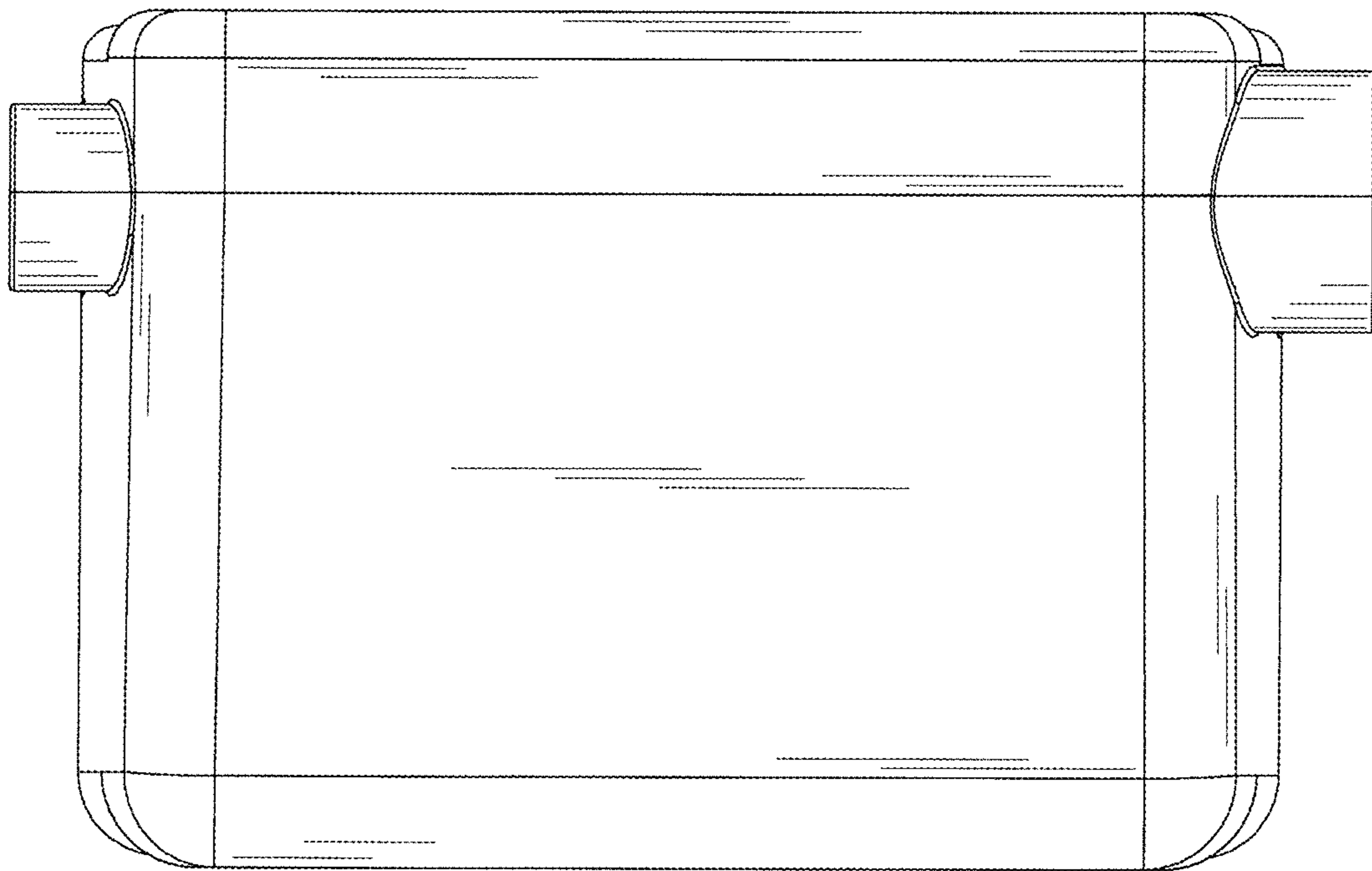


FIG. 4

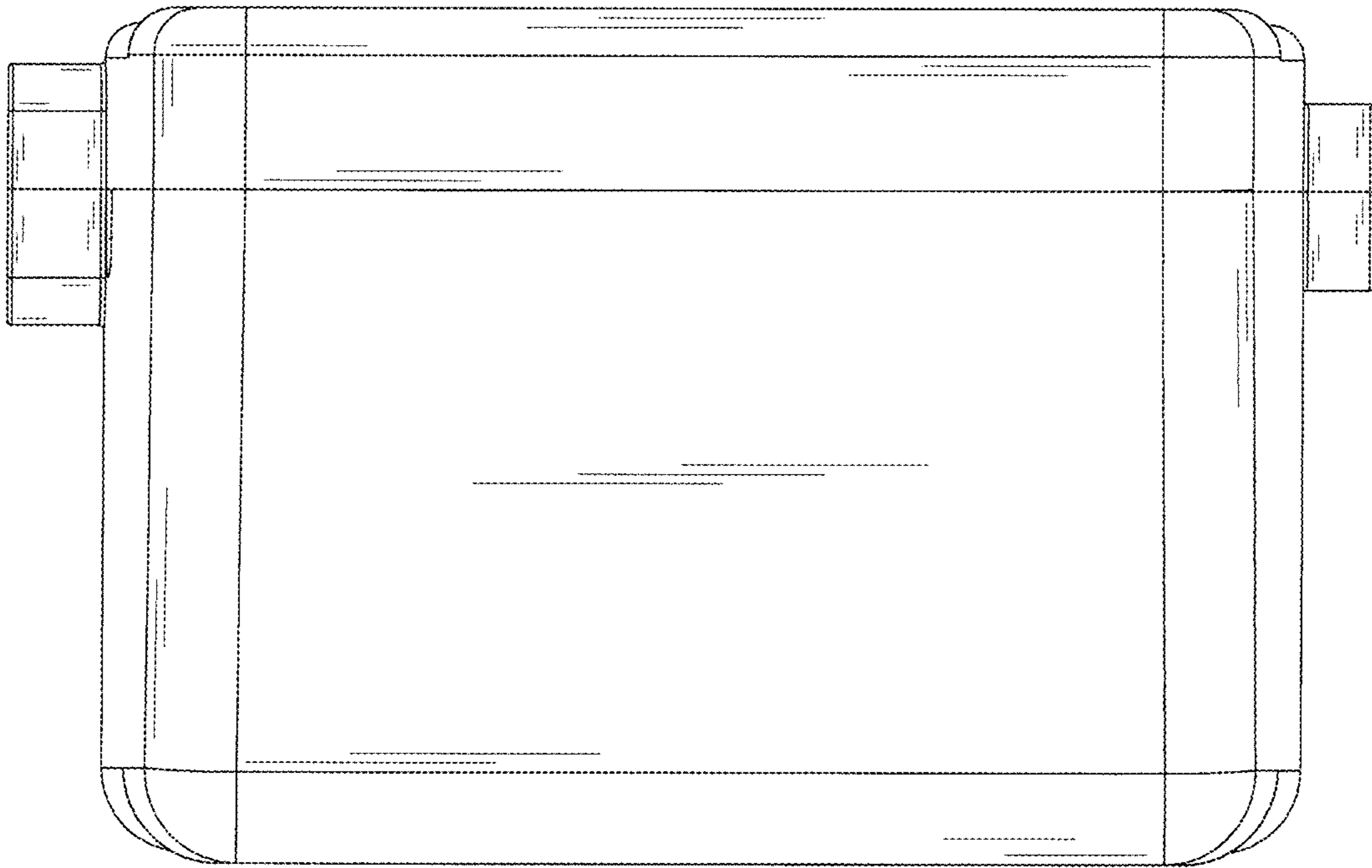


FIG. 5

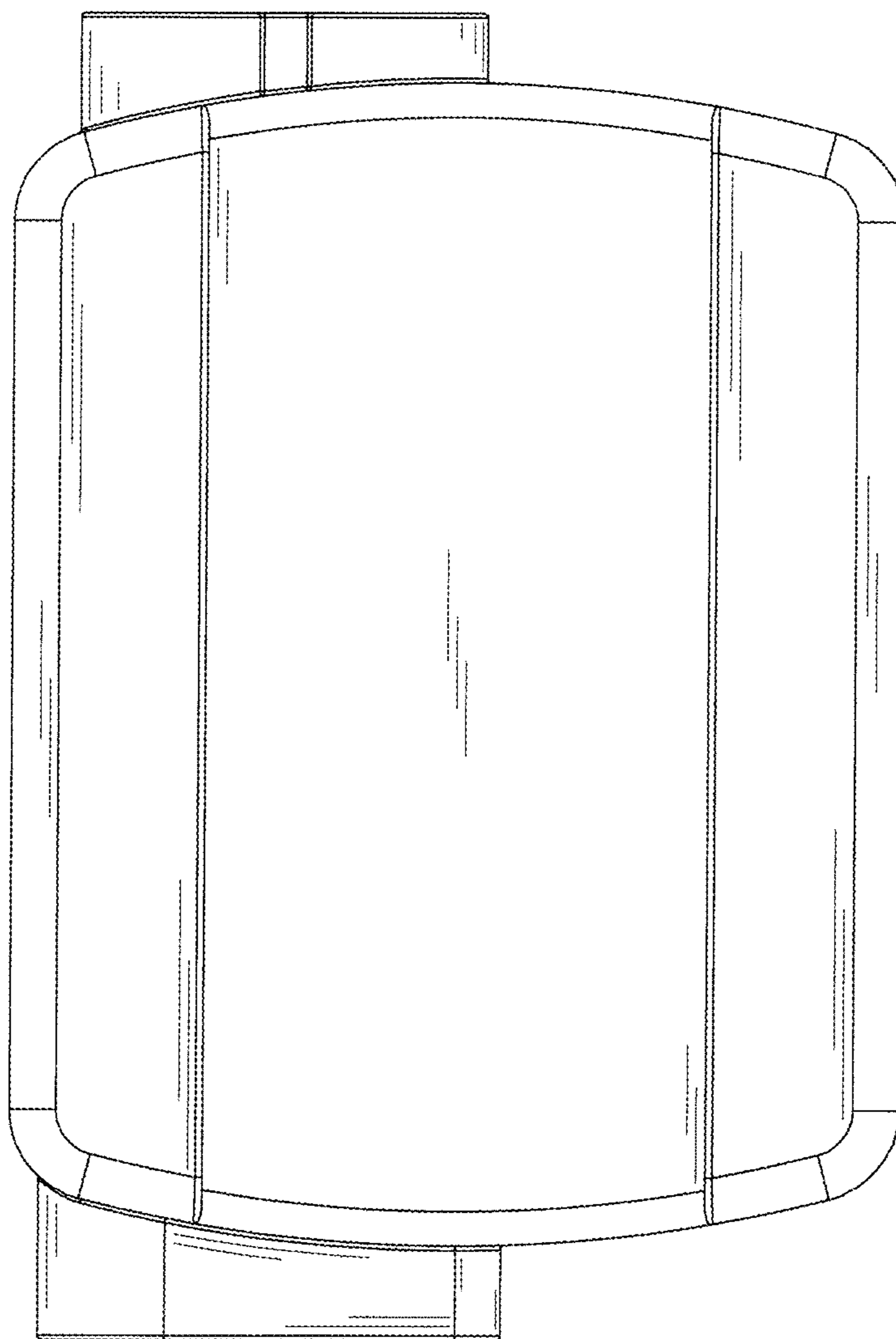


FIG. 6

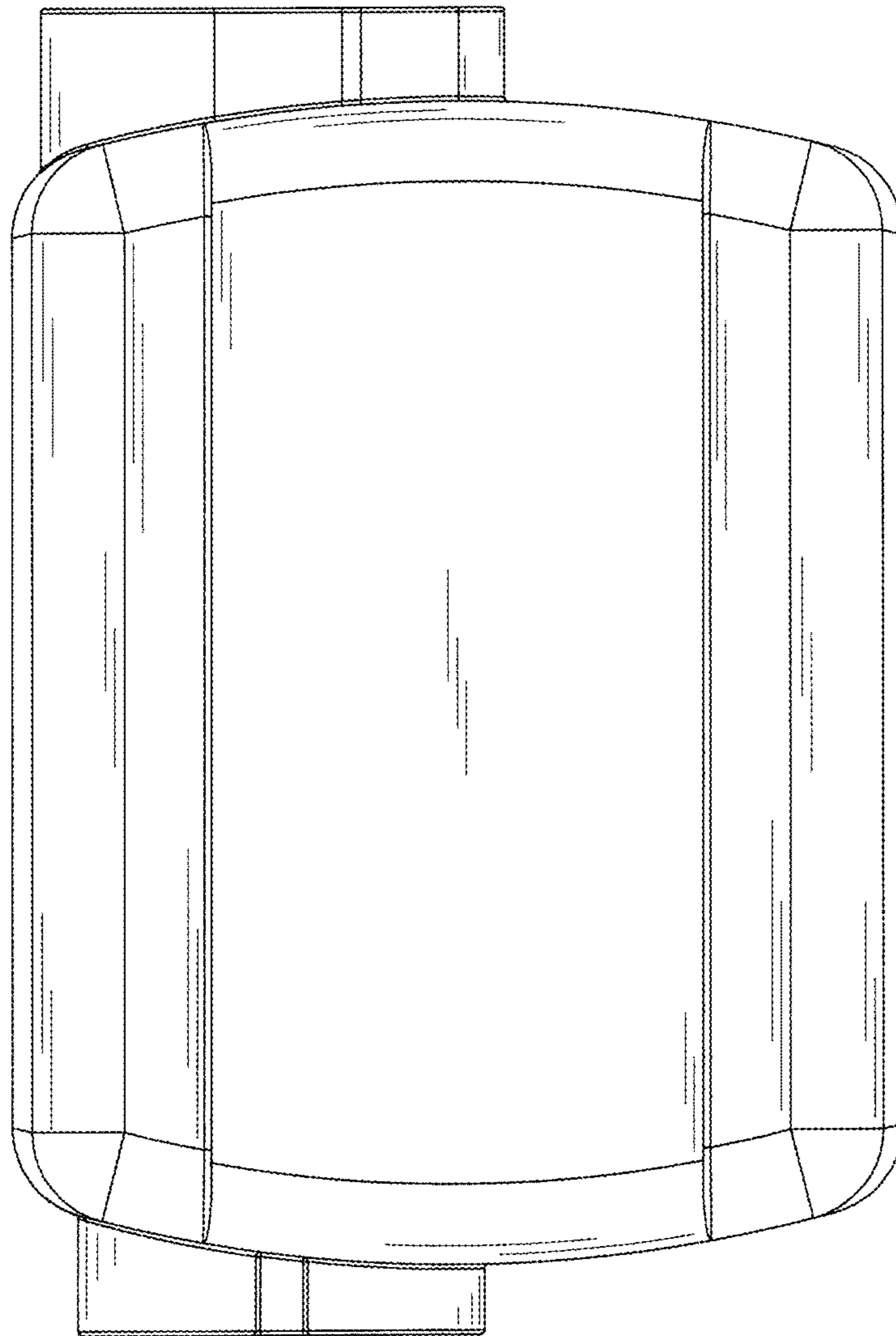


FIG. 7