



US00D837517S

(12) **United States Design Patent**
Castillo

(10) **Patent No.:** **US D837,517 S**

(45) **Date of Patent:** **** Jan. 8, 2019**

(54) **COSMETIC MAT WITH CUSTOMIZED POCKETS**

(71) Applicant: **Gabriela Castillo**, Lancaster, CA (US)

(72) Inventor: **Gabriela Castillo**, Lancaster, CA (US)

(**) Term: **15 Years**

(21) Appl. No.: **29/575,124**

(22) Filed: **Aug. 22, 2016**

(51) **LOC (11) Cl.** **03-01**

(52) **U.S. Cl.**
USPC **D3/299**

(58) **Field of Classification Search**
USPC D3/205, 273, 274, 275, 276, 281, 284,
D3/292, 294-297, 299, 302, 905, 901,
D3/903
CPC A45C 5/04; A45C 11/00; A45C 11/16
See application file for complete search history.

(56) **References Cited**

U.S. PATENT DOCUMENTS

| | | | | | |
|-----------|-----|---------|------------|-------|-----------|
| 1,094,009 | A * | 4/1914 | Parkhurst | | B25H 3/02 |
| | | | | | 206/373 |
| D323,065 | S * | 1/1992 | Stricklin | | D19/83 |
| D376,905 | S * | 12/1996 | Volmer | | D3/221 |
| 6,039,175 | A * | 3/2000 | Wright | | A45C 1/06 |
| | | | | | 150/131 |
| D445,564 | S * | 7/2001 | Brookhouse | | D3/206 |
| D458,743 | S * | 6/2002 | Brookhouse | | D3/206 |
| D459,071 | S * | 6/2002 | Brookhouse | | D3/206 |
| D466,686 | S * | 12/2002 | Brookhouse | | D3/206 |
| D471,011 | S * | 3/2003 | Kowalsky | | D3/299 |

| | | | | | |
|----------|-----|---------|------------|-------|-----------|
| D476,811 | S * | 7/2003 | Brookhouse | | D3/206 |
| D522,750 | S * | 6/2006 | Girod | | D3/303 |
| D632,078 | S * | 2/2011 | Schmitz | | D3/299 |
| D636,997 | S * | 5/2011 | DeVoe | | D12/133 |
| D699,030 | S * | 2/2014 | Etzler | | D3/206 |
| D718,531 | S * | 12/2014 | Hitzler | | D3/299 |
| D728,937 | S * | 5/2015 | Fridley | | D3/303 |
| D753,398 | S * | 4/2016 | Arami | | A45C 1/06 |
| | | | | | D3/299 |
| D795,581 | S * | 8/2017 | Cruz | | D3/303 |
| D805,300 | S * | 12/2017 | Sichi | | D3/299 |
| D808,166 | S * | 1/2018 | Thompson | | B25H 3/02 |
| | | | | | D3/299 |

* cited by examiner

Primary Examiner — Sandra S Snapp
Assistant Examiner — Holly E Thurman
(74) *Attorney, Agent, or Firm* — Trojan Law Offices

(57) **CLAIM**

The ornamental design for a cosmetic mat with customized pockets, as shown and described.

DESCRIPTION

FIG. 1 is a perspective view of a first embodiment of a cosmetic mat with customized pockets showing my new design.

FIG. 2 is a top view thereof.

FIG. 3 is a bottom view thereof.

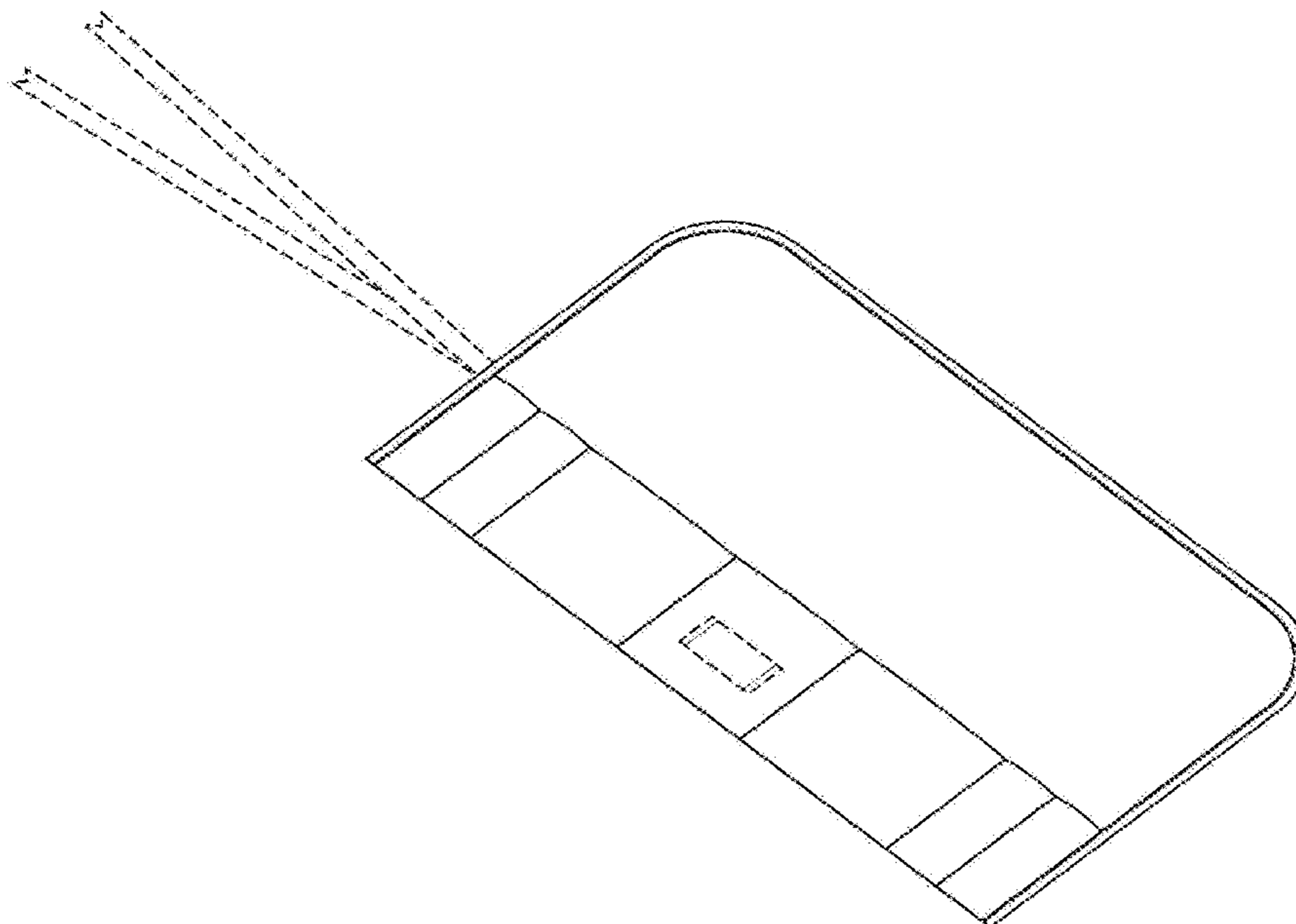
FIG. 4 is a perspective view of an alternate embodiment of my new design.

FIG. 5 is a top view thereof; and,

FIG. 6 is a bottom view thereof.

The broken lines depicted unclaimed portions of the cosmetic mat and form no part of the claimed design.

1 Claim, 6 Drawing Sheets



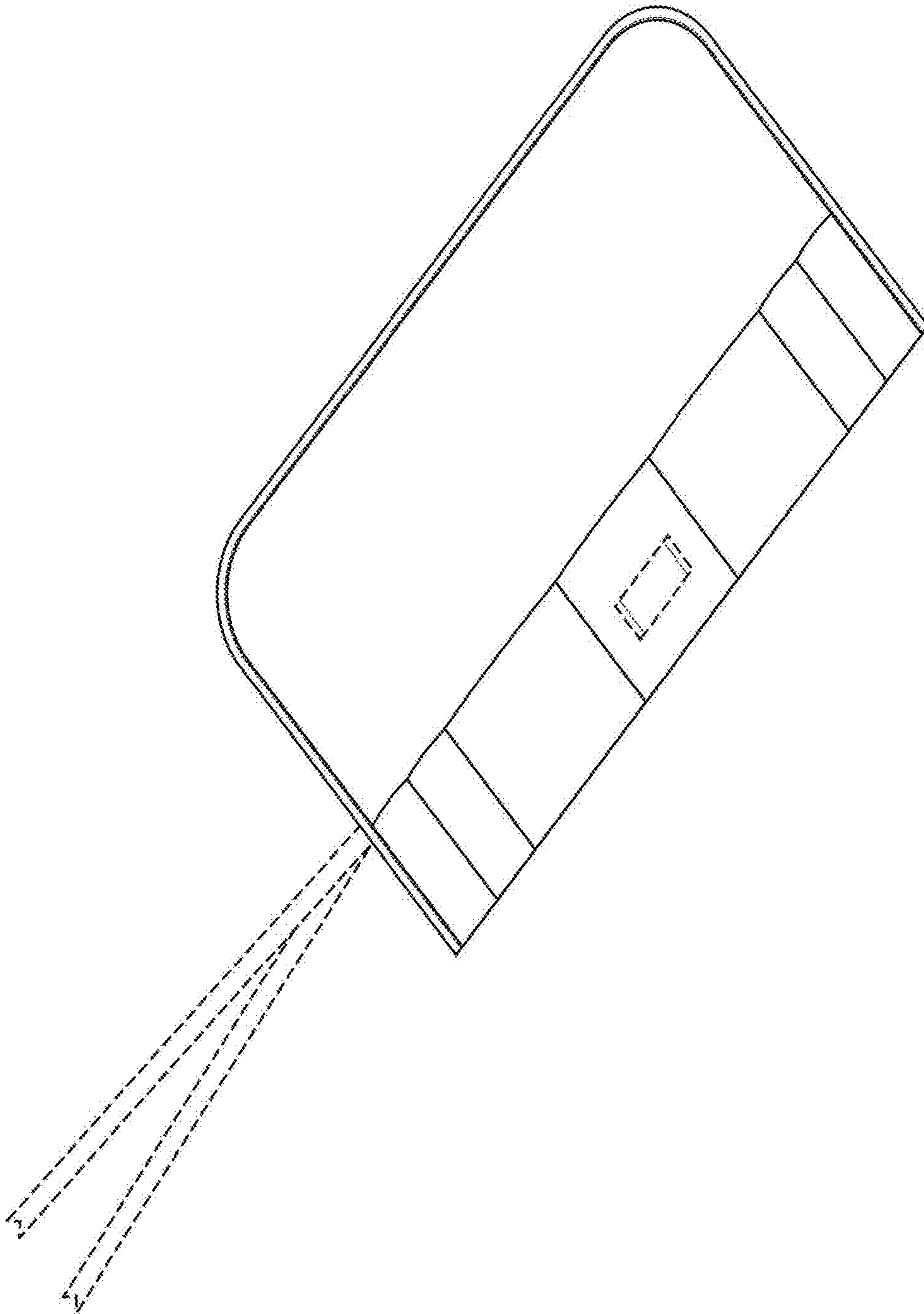


Fig. 1

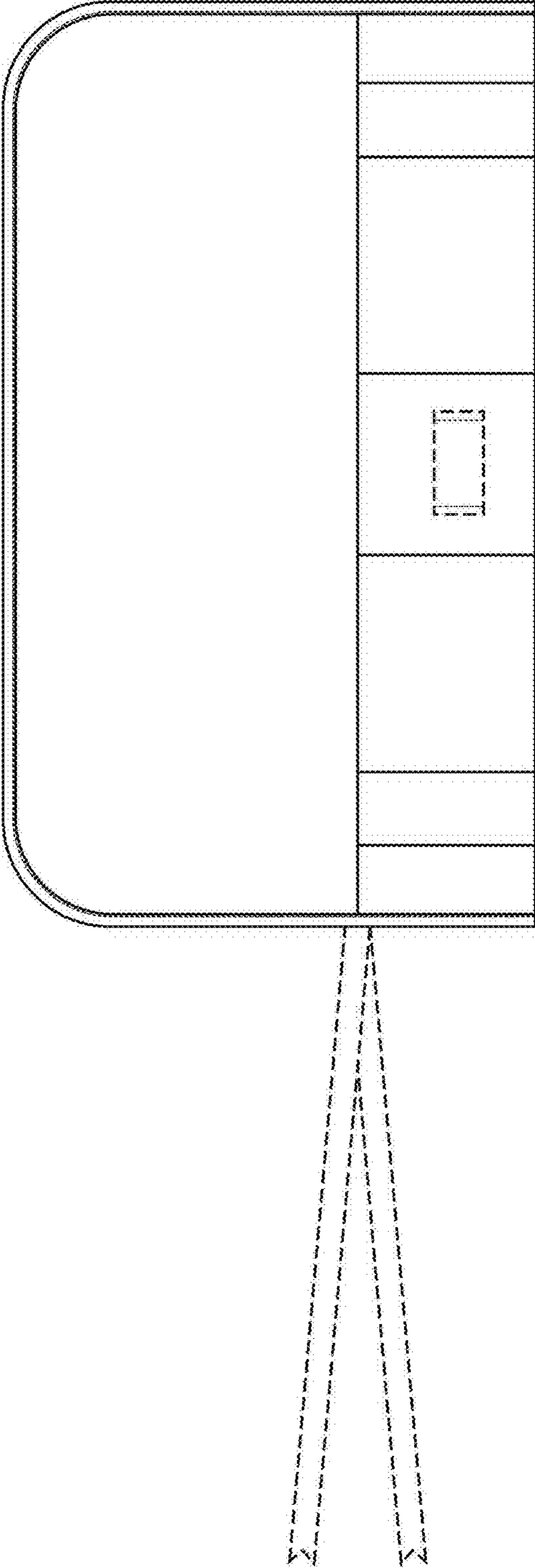


Fig. 2

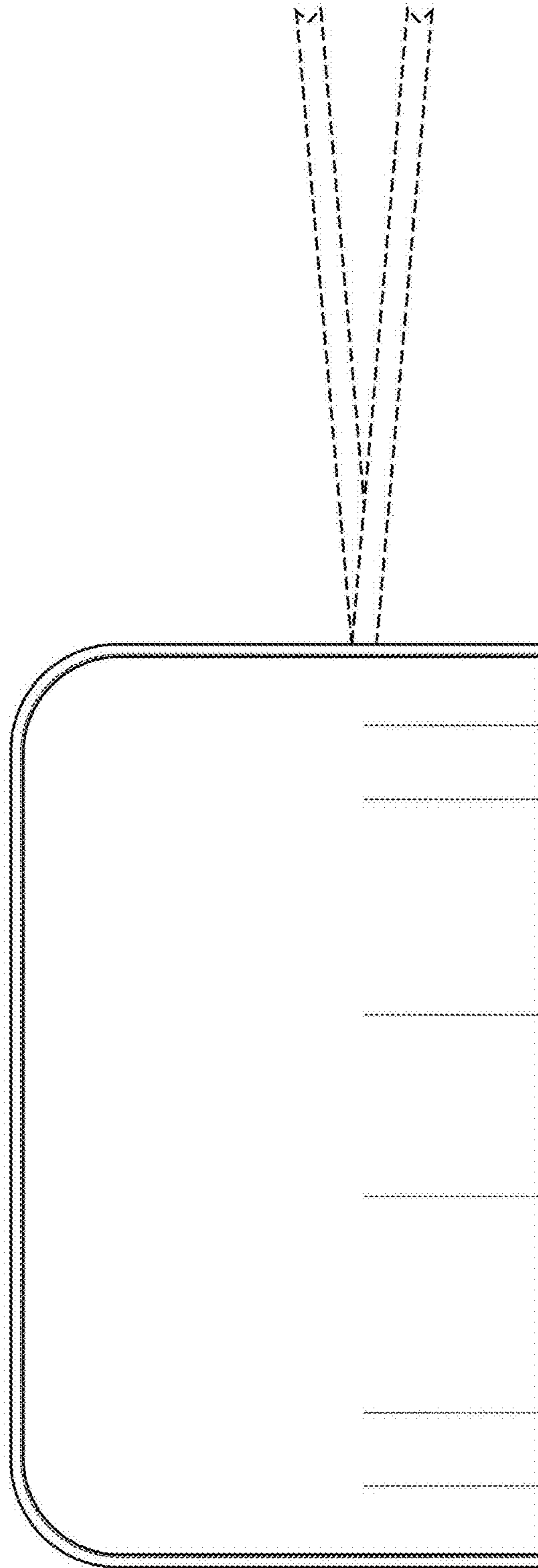


Fig. 3

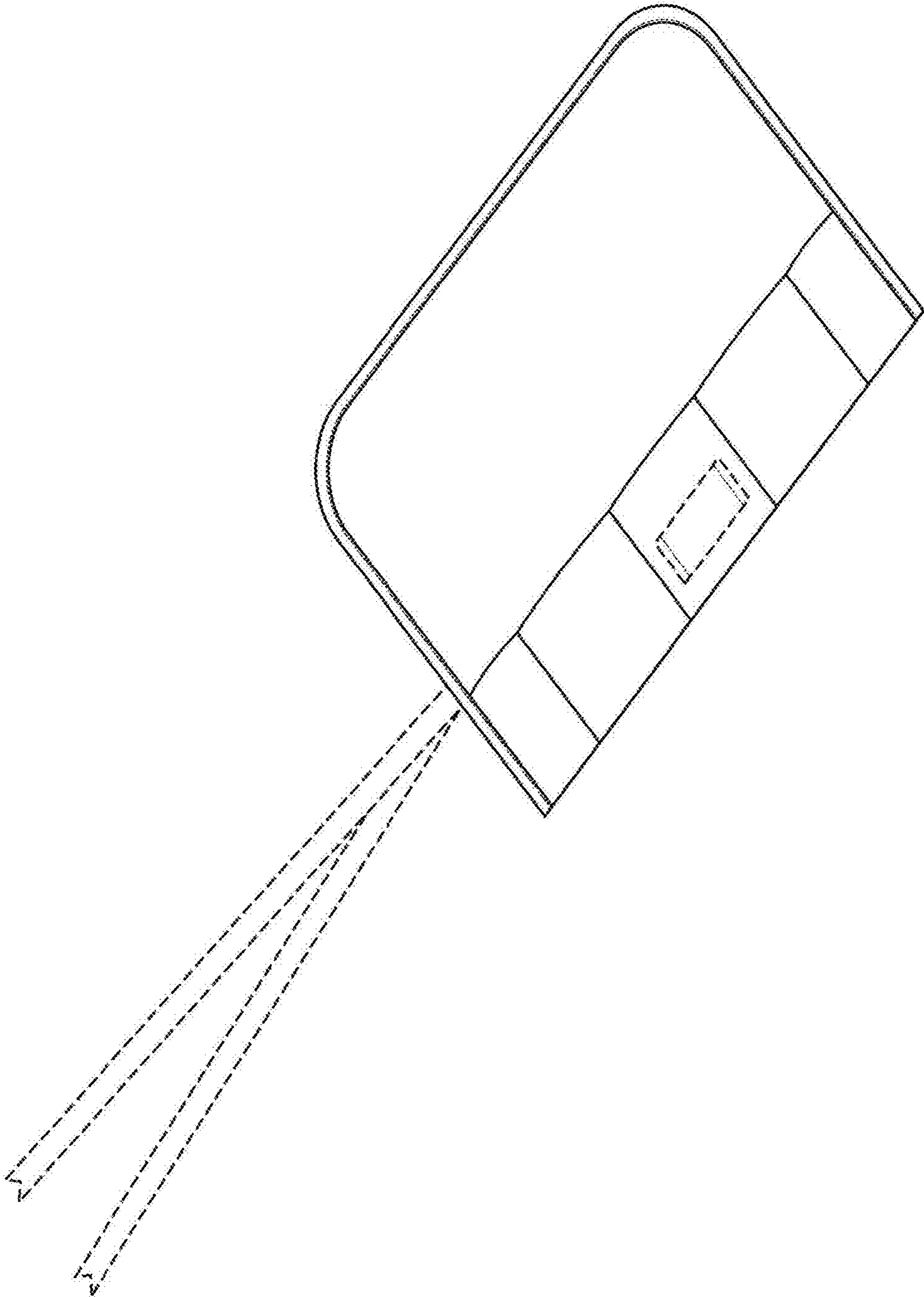


Fig. 4

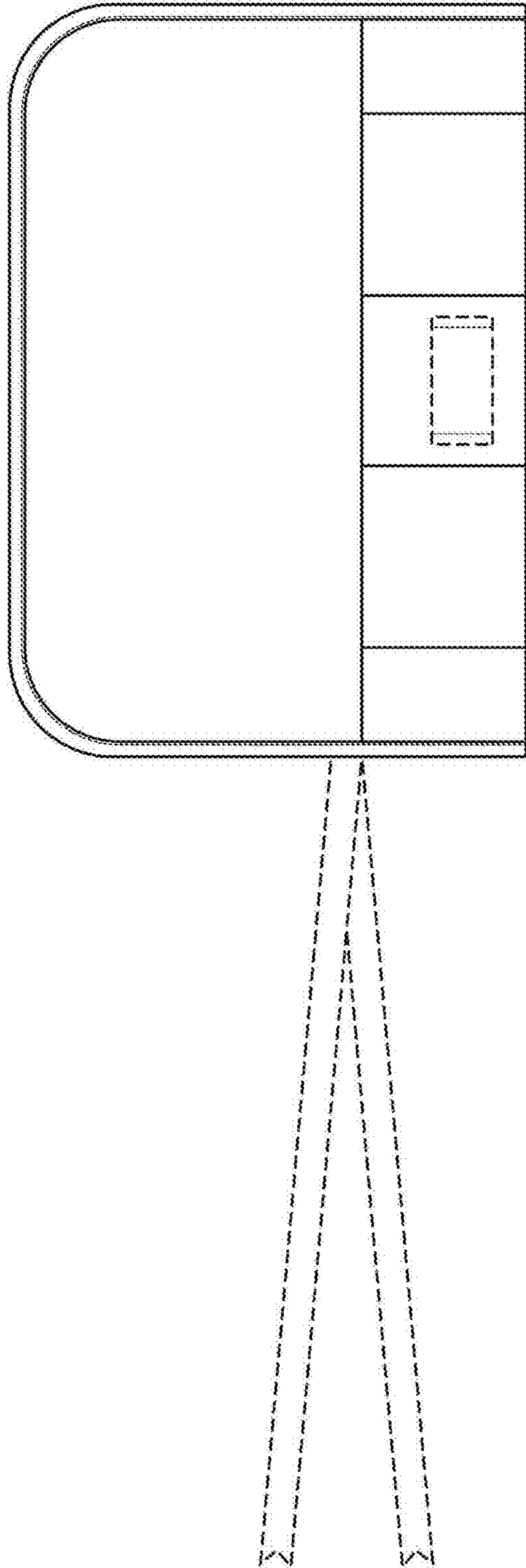


Fig. 5

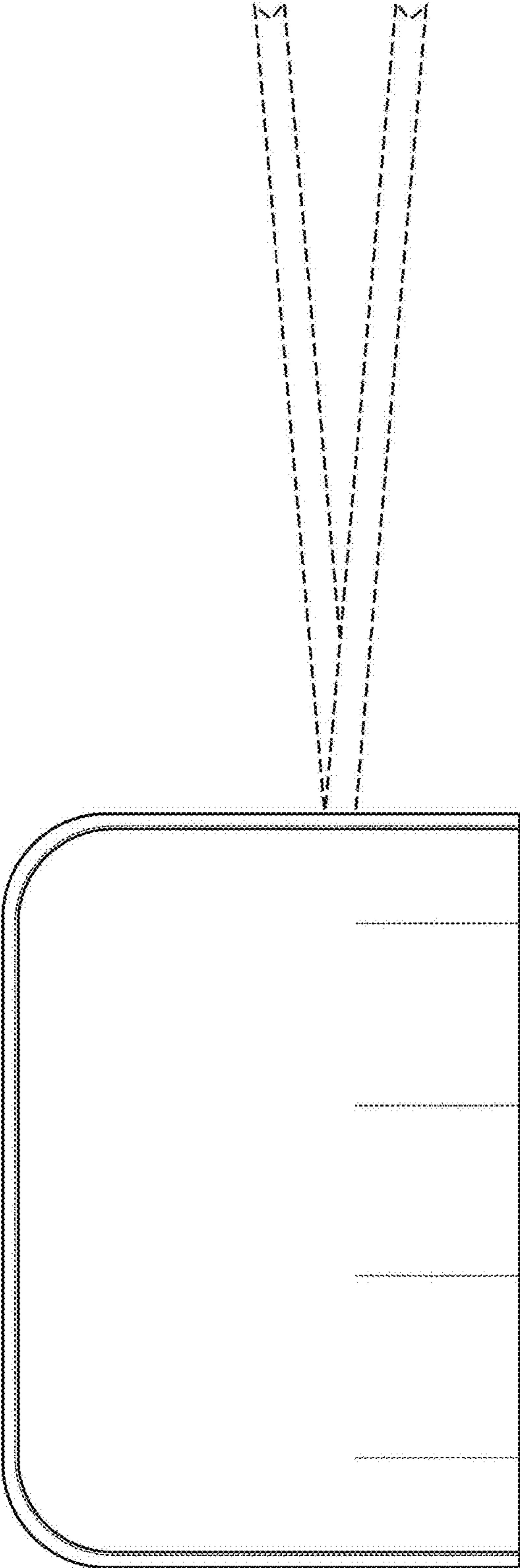


Fig. 6