



US00D837516S

(12) **United States Design Patent**  
**Shpitzer**

(10) **Patent No.:** **US D837,516 S**  
(45) **Date of Patent:** **\*\* Jan. 8, 2019**

(54) **TOOLBOX WITH DRAWERS**  
(71) Applicant: **The Stanley Works Isreal Ltd.**, Rosh Ha' Ayin (IL)

D771,387 S \* 11/2016 Gonzales ..... D3/318  
D798,054 S \* 9/2017 Shpitzer ..... D3/283  
D803,560 S \* 11/2017 Kuhls ..... D3/281  
2010/0108549 A1 \* 5/2010 Eggers ..... B25H 3/023  
206/349

(72) Inventor: **Yaron Shpitzer**, Rishon Le'Tsiyon (IL)

(73) Assignee: **THE STANLEY WORKS ISRAEL LTD.**, Rosh Ha' Ayin (IL)

(\*\*) Term: **15 Years**

(21) Appl. No.: **29/624,477**

(22) Filed: **Nov. 1, 2017**

(51) **LOC (11) Cl.** ..... **03-01**

(52) **U.S. Cl.**  
USPC ..... **D3/283**; D3/297; D3/905

(58) **Field of Classification Search**  
USPC ..... D3/203.2, 203.3, 203.6, 273, 279, 276,  
D3/284, 294, 302, 905, 274, 281, 282,  
D3/283, 295  
CPC ..... B25H 3/00; B25H 3/003; B25H 3/006;  
B25H 3/02-3/028; A45C 5/00; A45C  
13/29

See application file for complete search history.

(56) **References Cited**

**U.S. PATENT DOCUMENTS**

D298,584 S \* 11/1988 Newby, Sr. .... D3/281  
D315,445 S \* 3/1991 Lanius ..... D3/281  
D386,626 S \* 11/1997 Yemini ..... D3/283  
D434,225 S \* 11/2000 Story ..... D3/276  
D517,805 S \* 3/2006 Hosking ..... D3/291  
D526,782 S \* 8/2006 Hosking ..... D3/296  
D649,350 S \* 11/2011 Shitrit ..... D3/281  
D694,522 S \* 12/2013 Horovitz ..... D3/281  
D701,697 S \* 4/2014 Sabbag ..... D3/281  
D753,396 S \* 4/2016 Brunner ..... D3/281  
D764,797 S \* 8/2016 Horovitz ..... D3/276

**OTHER PUBLICATIONS**

Home Depot, "TSTAK IV 18-Compartment Double Shallow Drawer Small Parts Organizer", Oldest review dated Jul. 15, 2014. (<https://www.homedepot.com/p/DEWALT-TSTAK-IV-18-Compartment-Double-Shallow-Drawer-Small-Parts-Organizer-DWST17804/204358931>).\*

\* cited by examiner

*Primary Examiner* — Jennifer Rivard

*Assistant Examiner* — April Rivas

(74) *Attorney, Agent, or Firm* — Bruce S. Shapiro

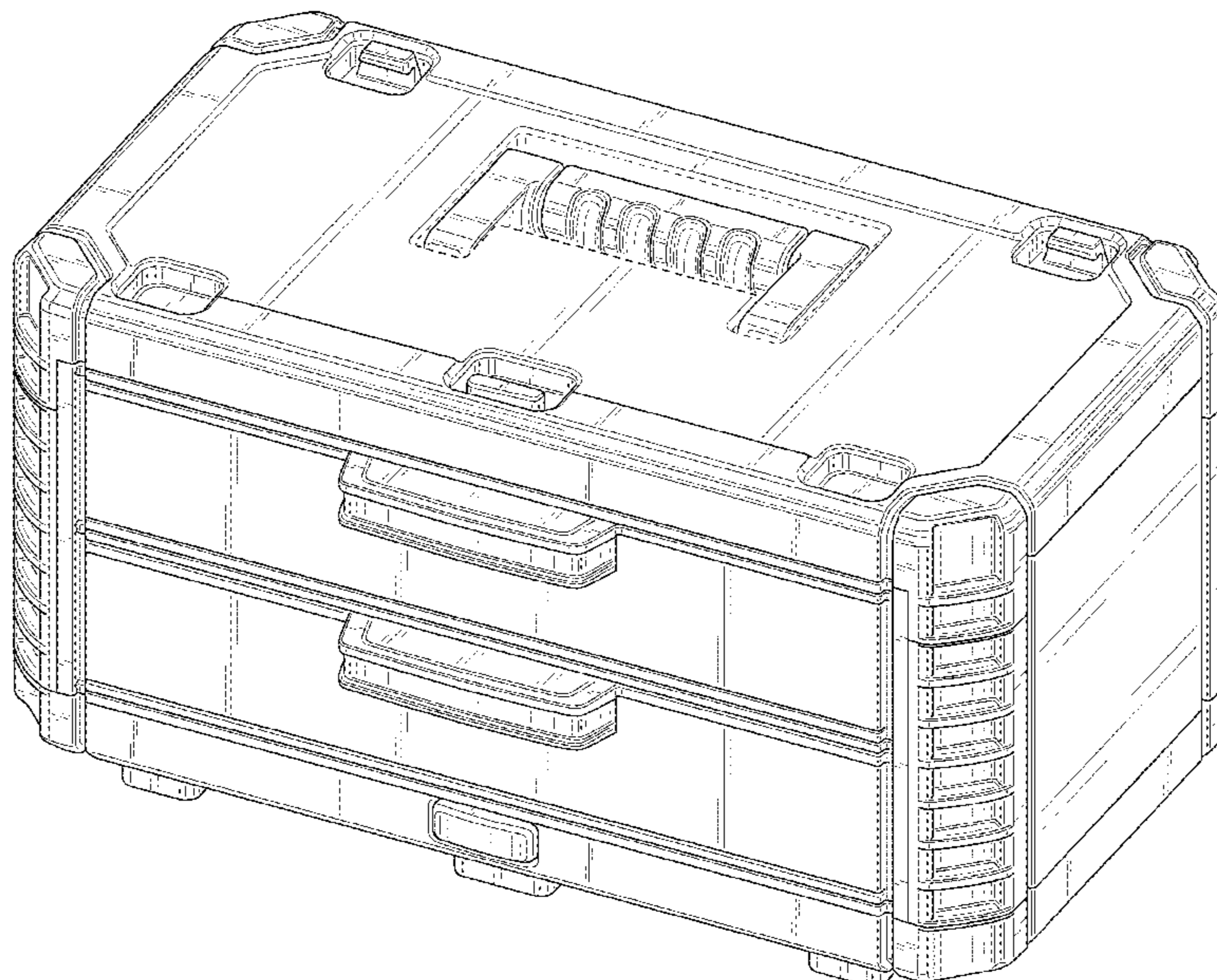
(57) **CLAIM**

The ornamental design for a toolbox with drawers, as shown and described.

**DESCRIPTION**

FIG. 1 is a perspective view of the top side my new design. FIG. 2 is a plan view of the front side thereof. FIG. 3 is a plan view back side thereof. FIG. 4 is a plan view left side thereof. FIG. 5 is a plan view right side thereof. FIG. 6 is a plan view top side thereof. FIG. 7 is a plan view bottom side thereof; and, FIG. 8 is a perspective view bottom side thereof. The broken lines illustrate portions of the tool box with drawers and form no part of the design claimed.

**1 Claim, 8 Drawing Sheets**



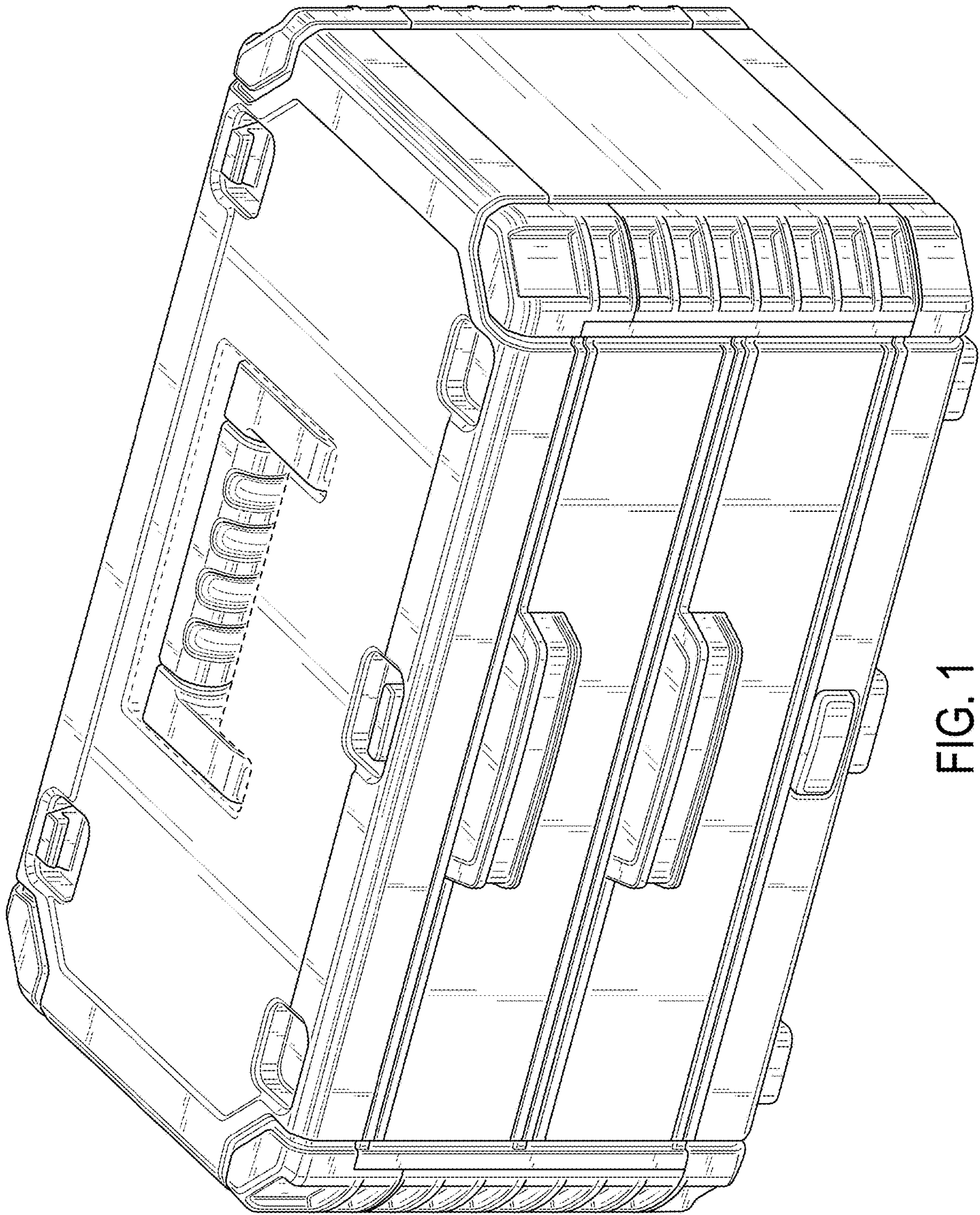


FIG. 1

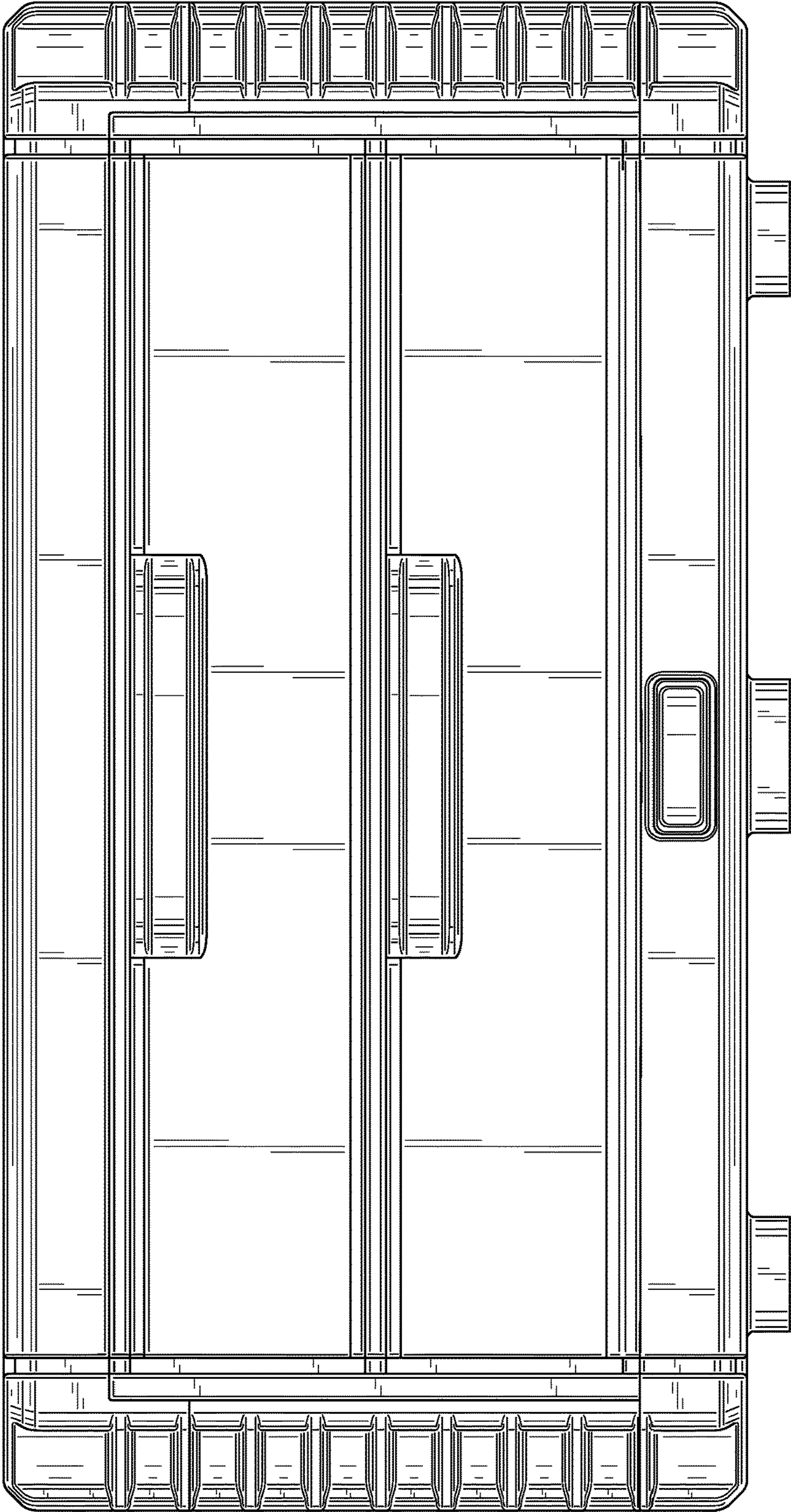


FIG. 2

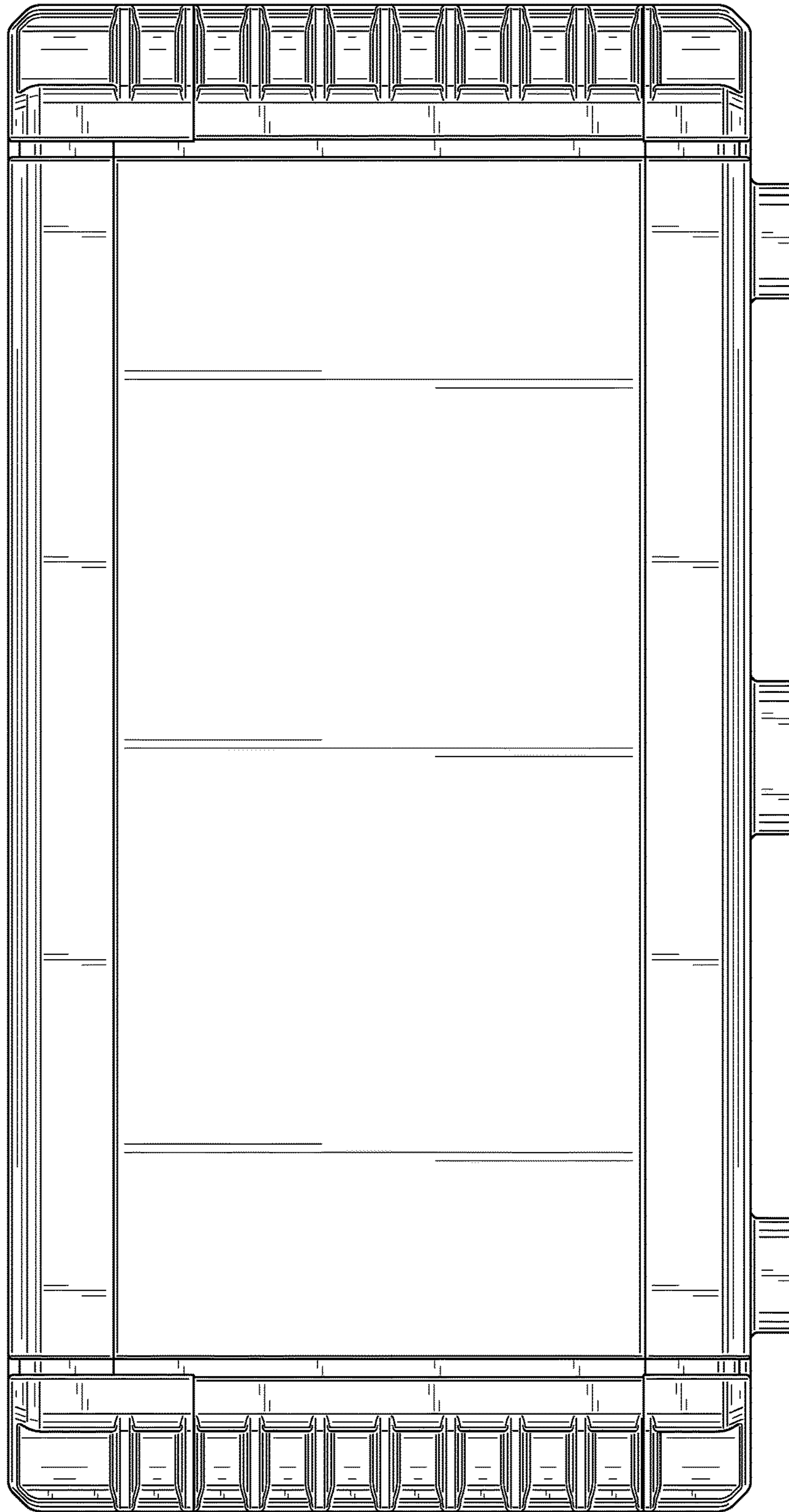


FIG. 3

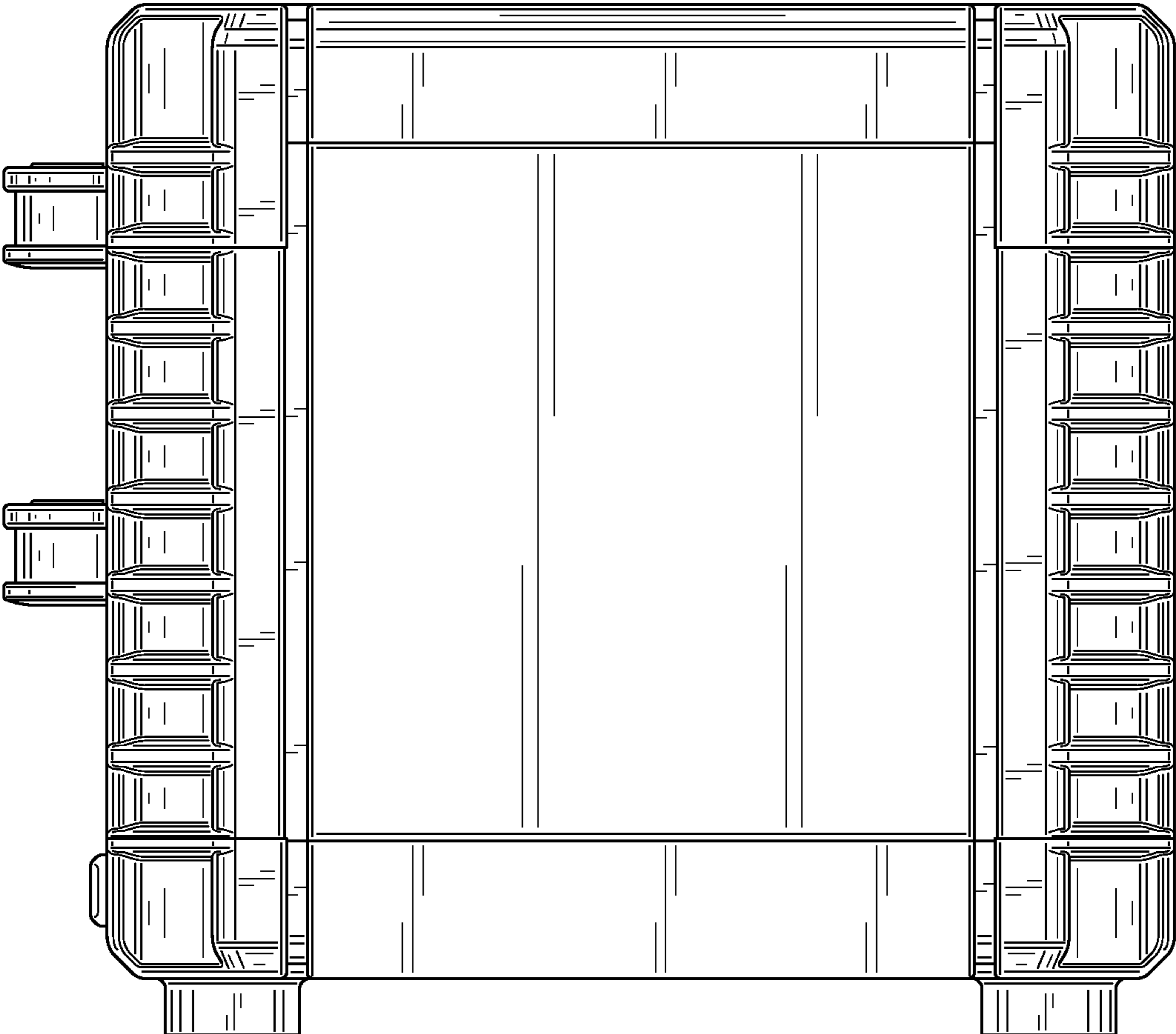


FIG. 4

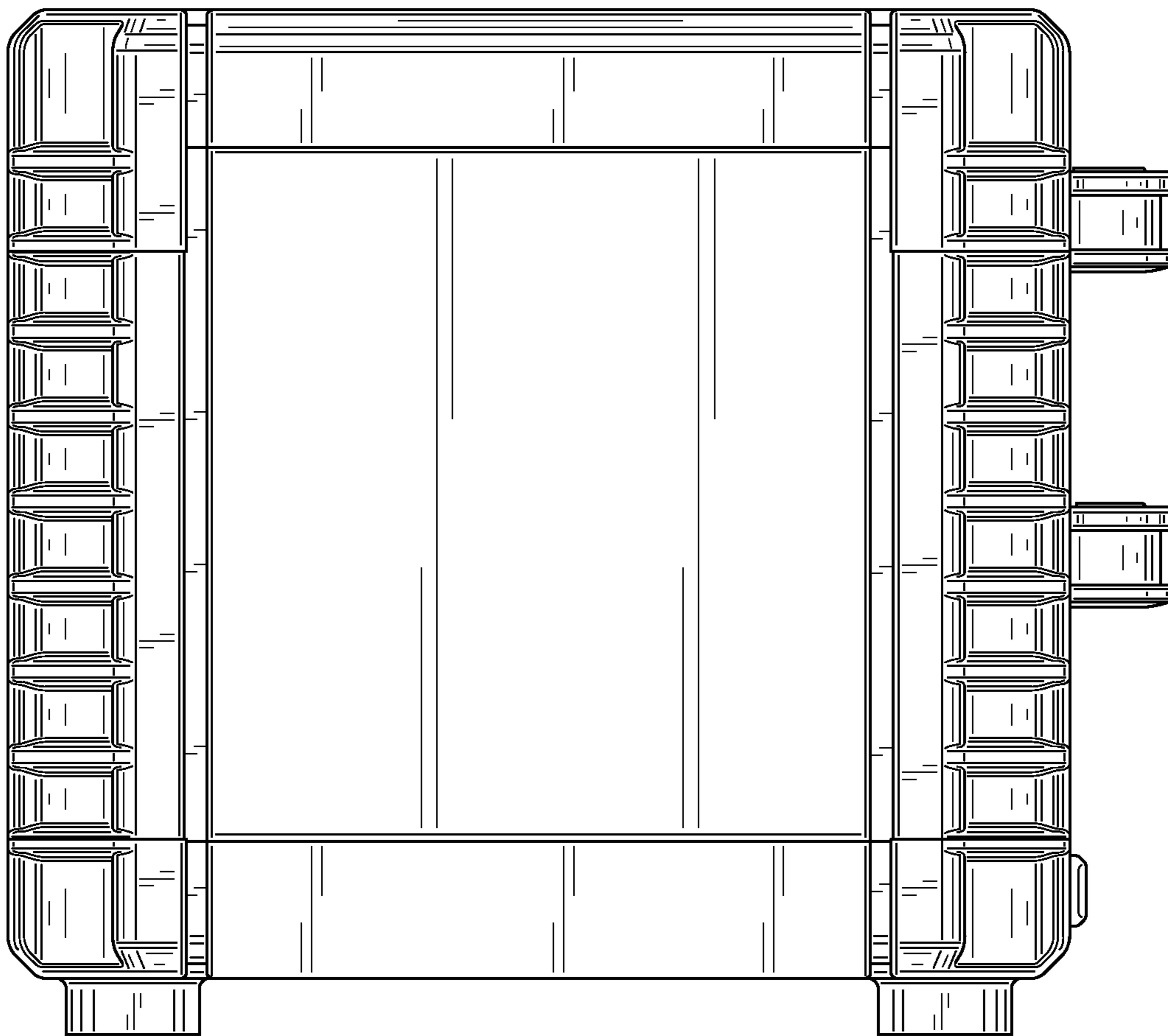


FIG. 5

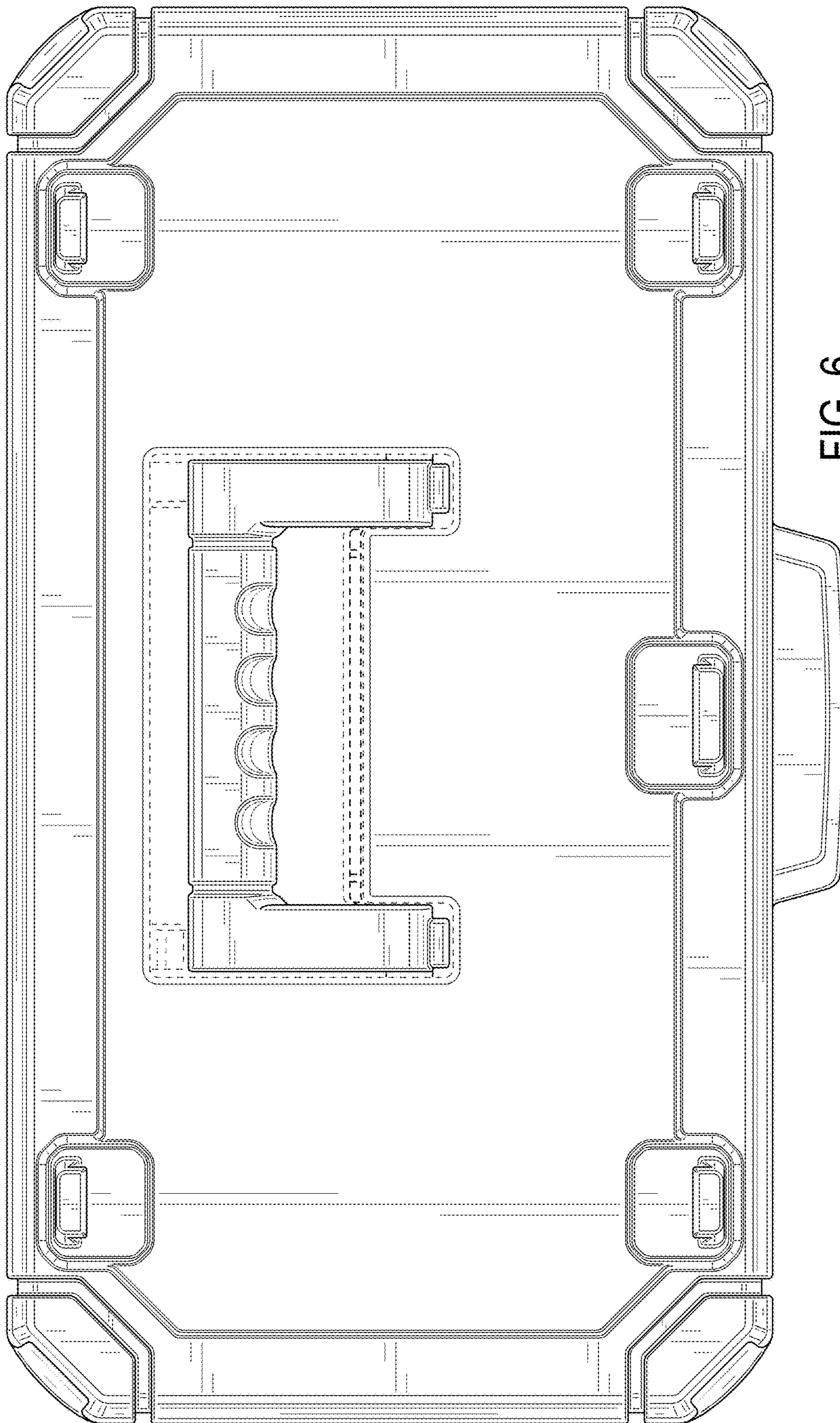


FIG. 6

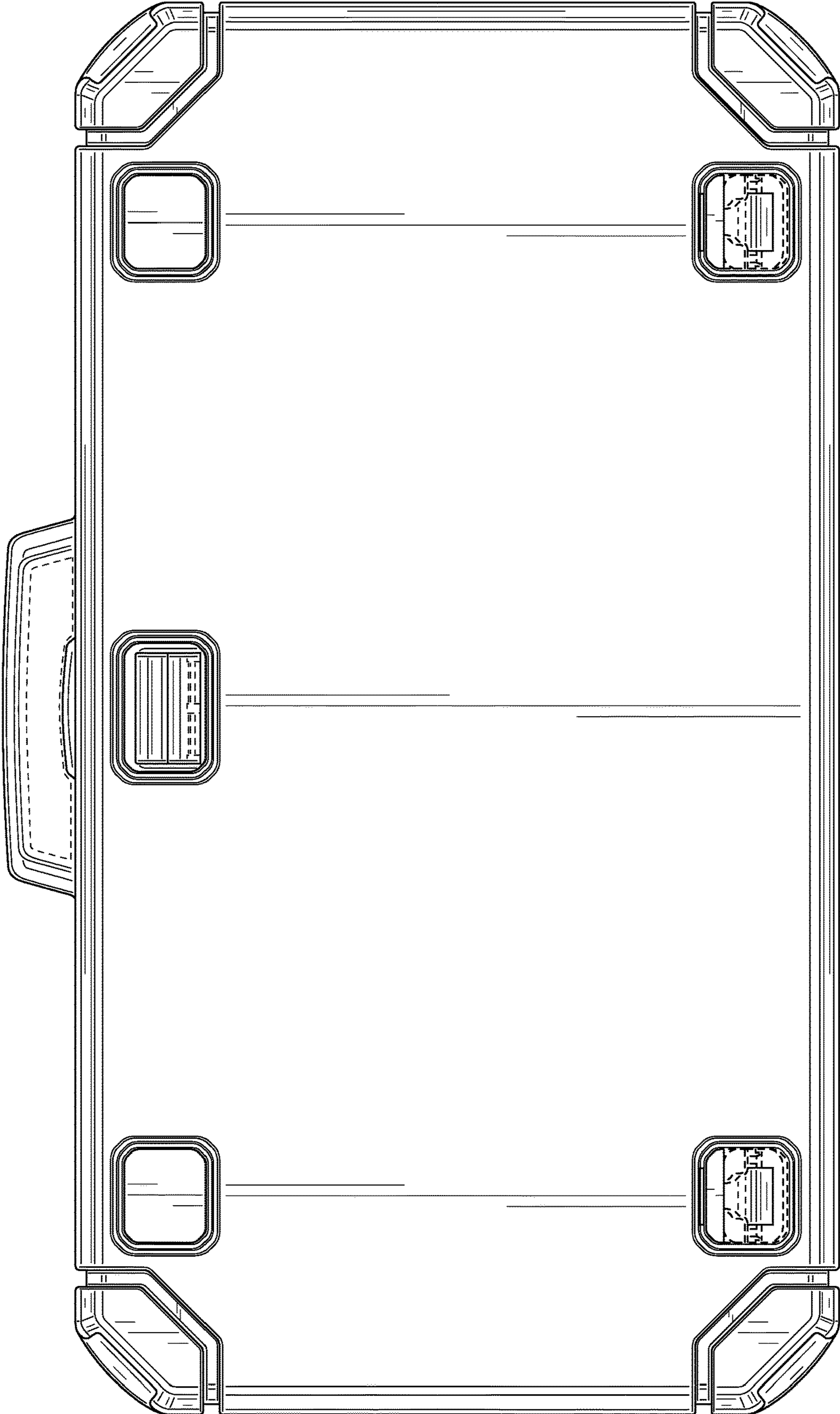


FIG. 7



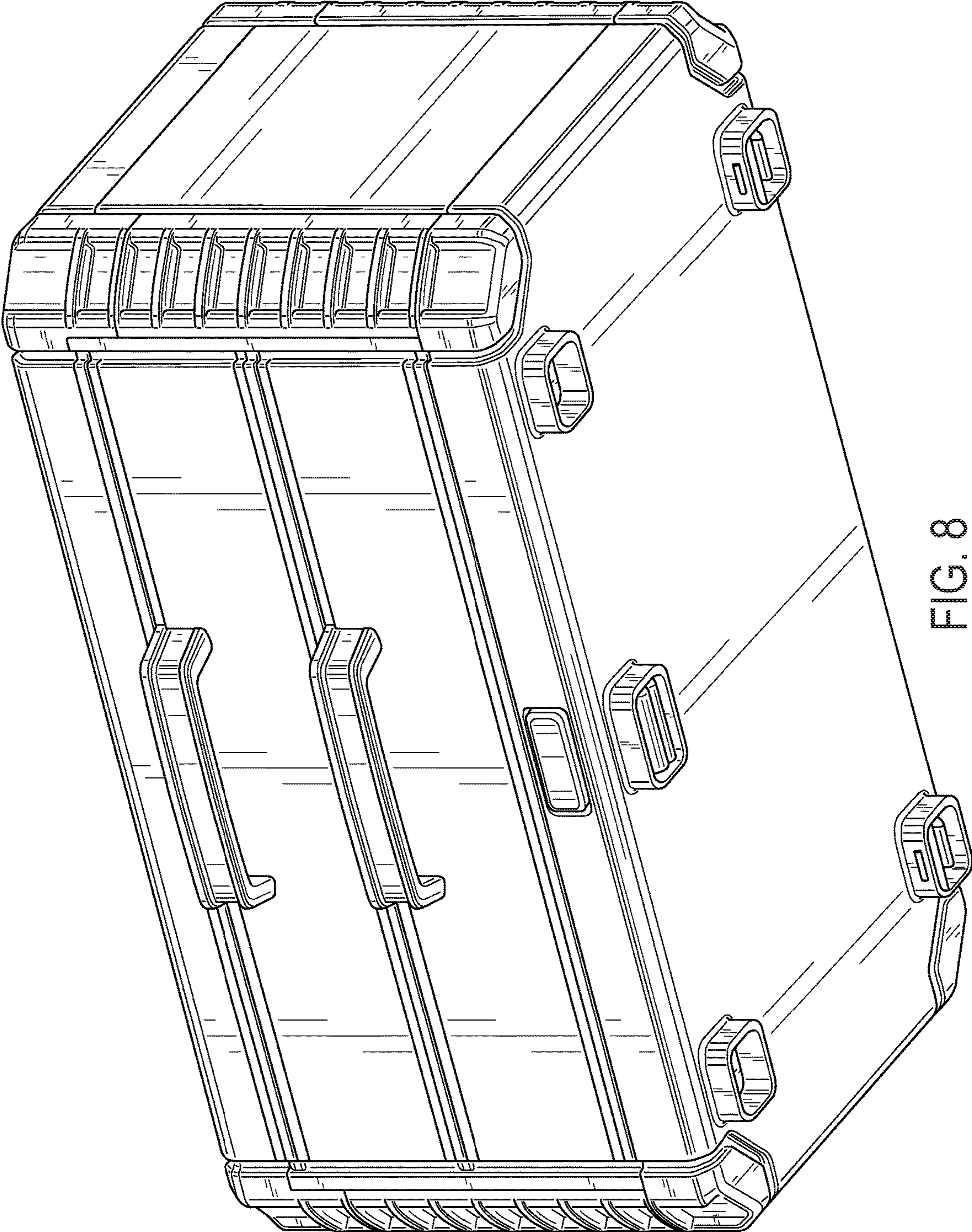


FIG. 8