



US00D837515S

(12) **United States Design Patent** (10) **Patent No.:** **US D837,515 S**
Shpitzer (45) **Date of Patent:** **** Jan. 8, 2019**

(54) **TOOLBOX ON WHEELS** 2009/0288970 A1* 11/2009 Katz B25H 3/00
206/349
(71) Applicant: **The Stanley Works Israel Ltd.**, Rosh Ha' Ayin (IL) 2017/0158216 A1* 6/2017 Yahav B62B 5/065
2017/0320209 A1* 11/2017 Bozzano B25H 1/04

(72) Inventor: **Yaron Shpitzer**, Rishon Le'Tsiyon (IL)

(73) Assignee: **THE STANLEY WORKS ISRAEL LTD.**, Rosh Ha' Ayin (IL)

(**) Term: **15 Years**

(21) Appl. No.: **29/624,475**

(22) Filed: **Nov. 1, 2017**

(51) **LOC (11) Cl.** **03-01**

(52) **U.S. Cl.**
USPC **D3/279**; D3/905

(58) **Field of Classification Search**
USPC D3/203.2, 203.3, 203.6, 273, 279, 276,
D3/284, 294, 302, 905, 274, 281, 282,
D3/283, 295
CPC B25H 3/00; B25H 3/003; B25H 3/006;
B25H 3/02-3/028; A45C 5/00; A45C
13/29
See application file for complete search history.

(56) **References Cited**

U.S. PATENT DOCUMENTS

D462,168 S * 9/2002 Klemmensen D3/276
6,601,930 B2* 8/2003 Tiramani B25H 3/00
190/18 A
D653,832 S * 2/2012 Vilkomirski D34/25
D710,100 S * 8/2014 Brunner D3/279
D753,395 S * 4/2016 Brunner D3/279
D765,973 S * 9/2016 Tonelli D3/279
D765,974 S * 9/2016 Tonelli D3/279
D808,164 S * 1/2018 Summers D3/279
9,872,547 B2* 1/2018 Naiva A45C 13/262
2007/0194543 A1* 8/2007 Duvigneau A45C 5/14
280/47.26

OTHER PUBLICATIONS

Home depot, "Milwaukee Packout 22 in. Rolling Tool Box", First reviewed Oct. 12, 2017. (<https://www.homedepot.com/p/Milwaukee-PACKOUT-22-in-Rolling-Tool-Box-48/22/8426/303005865>).*
Home Depot, "Dewalt ToughSystem DS450 22 in. 17 Gal. Mobile Tool Box", Jul. 2, 2013. (<https://www.homedepot.com/p/DEWALT-ToughSystem-DS450-22-in-17-Gal-Mobile-Tool-Box-DWST08250/207204993>).*

* cited by examiner

Primary Examiner — Jennifer Rivard

Assistant Examiner — April Rivas

(74) *Attorney, Agent, or Firm* — Bruce S. Shapiro

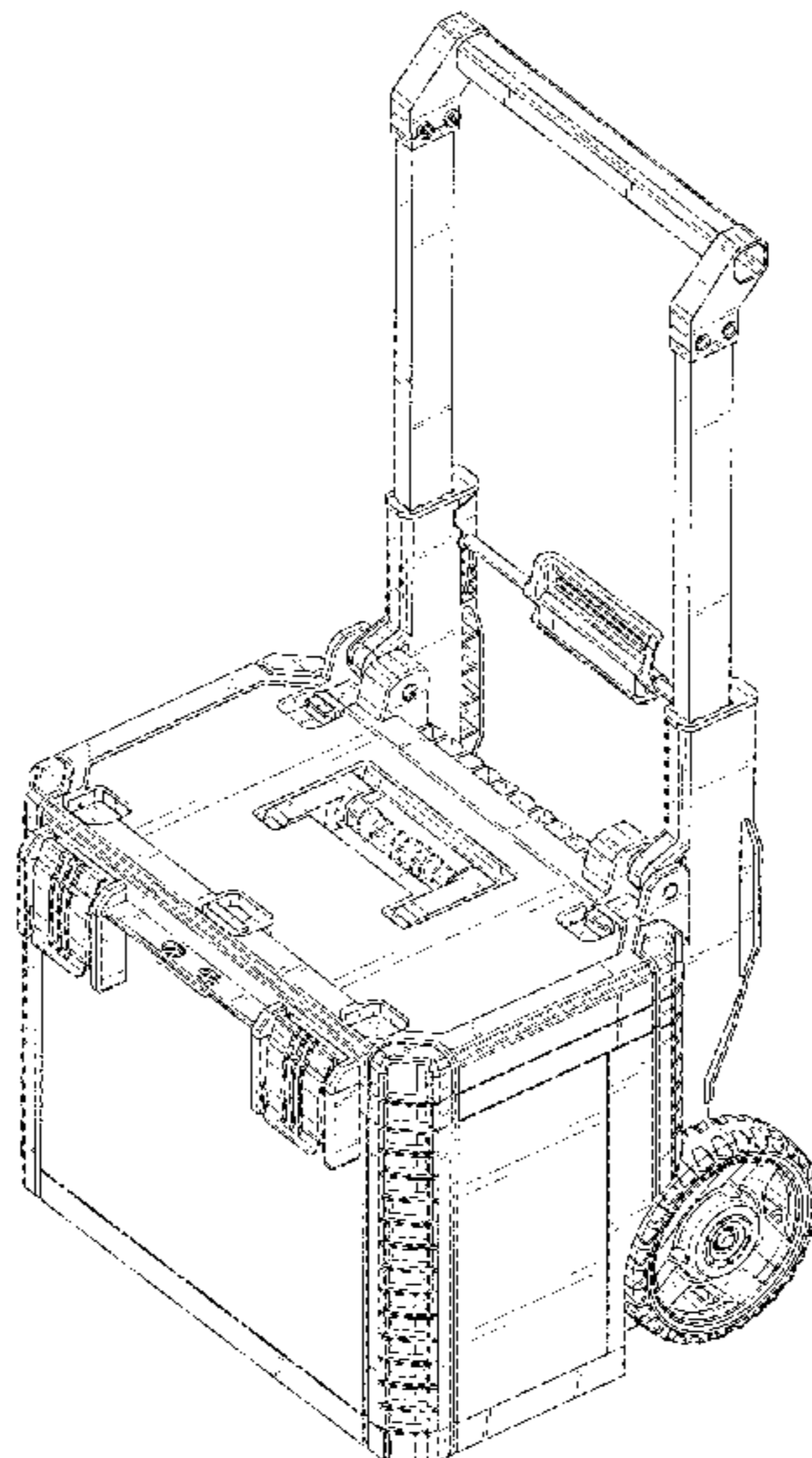
(57) **CLAIM**

The ornamental design for a toolbox on wheels, as shown and described.

DESCRIPTION

FIG. 1 is a perspective view of the top side my new design. FIG. 2 is a perspective view of the bottom side thereof. FIG. 3 is a front side plan view thereof. FIG. 4 is a back side plan view thereof. FIG. 5 is a right side plan view thereof. FIG. 6 is a left side plan view thereof. FIG. 7 is a top side plan view thereof; and, FIG. 8 is a bottom side plan view thereof. The broken lines illustrate portions of the toolbox on wheels and form no part of the design claimed.

1 Claim, 8 Drawing Sheets



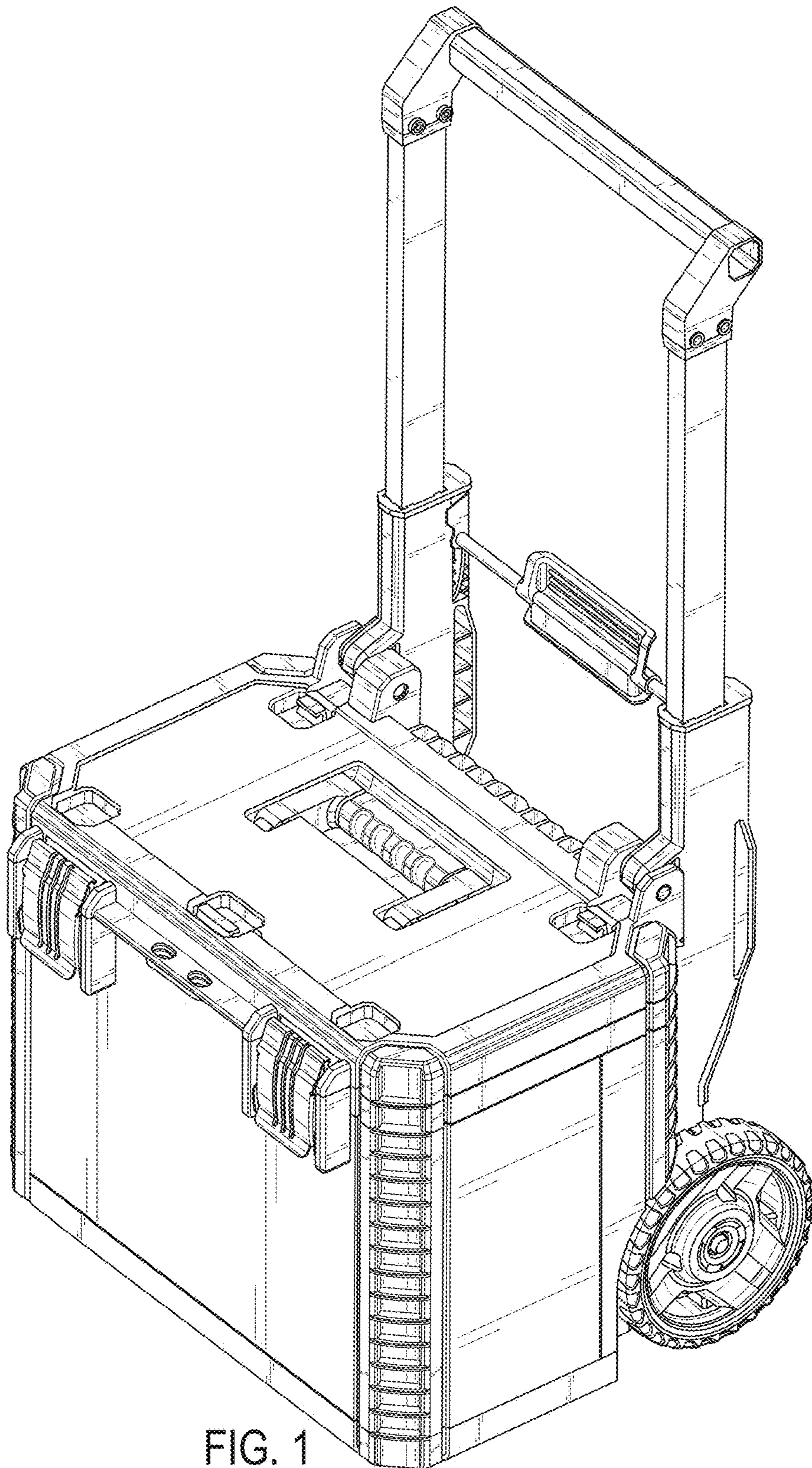


FIG. 1

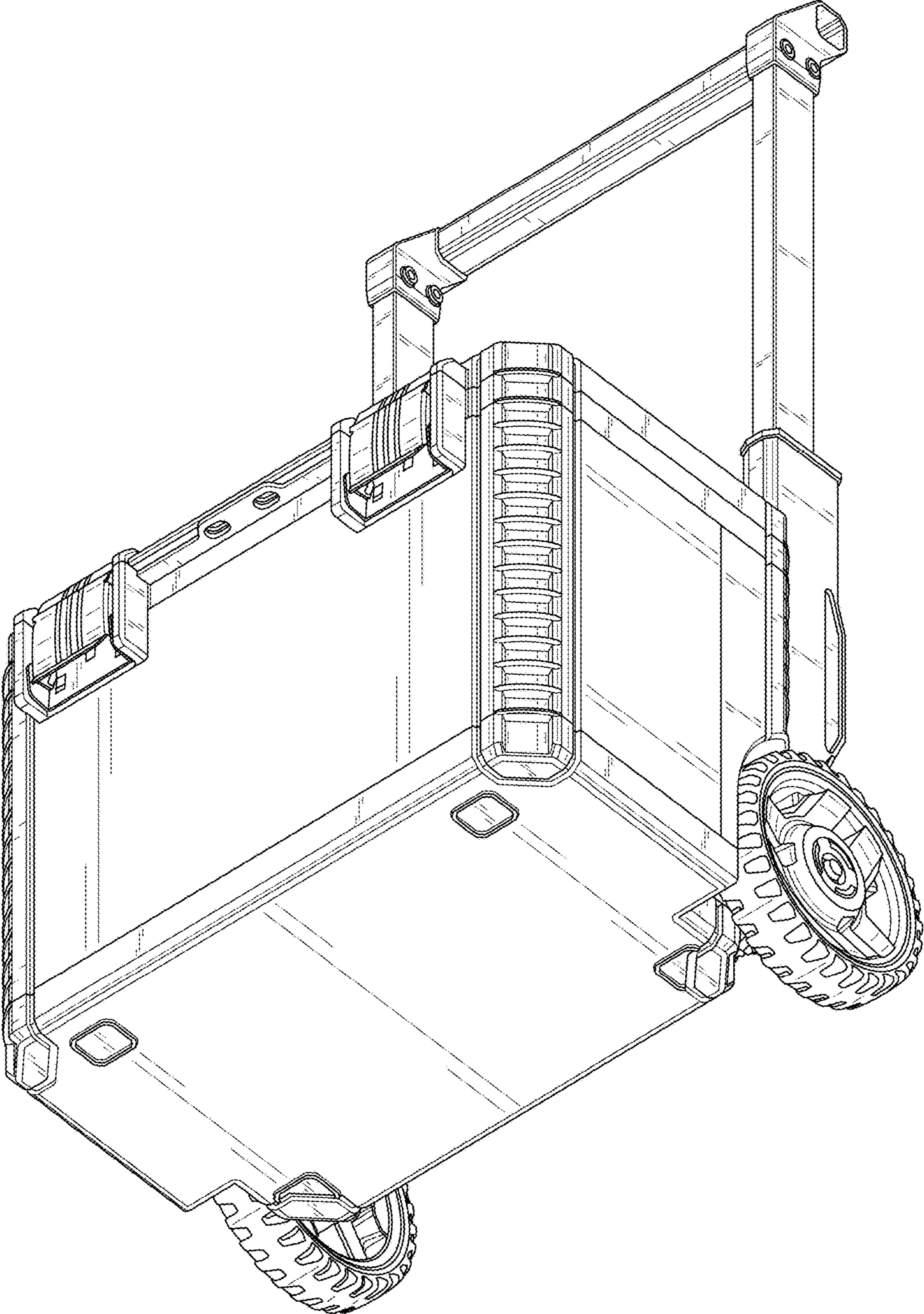


FIG. 2

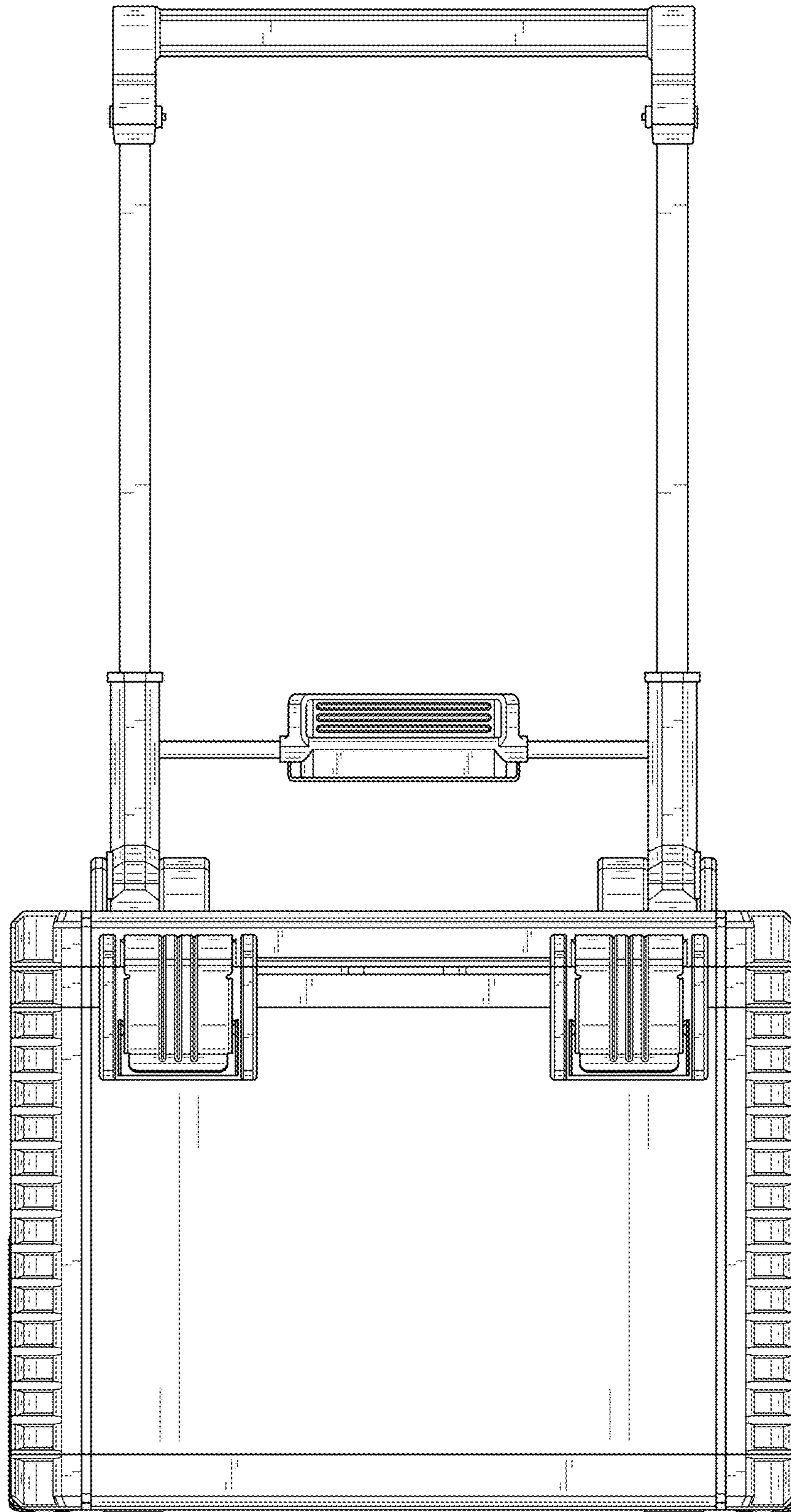


FIG. 3

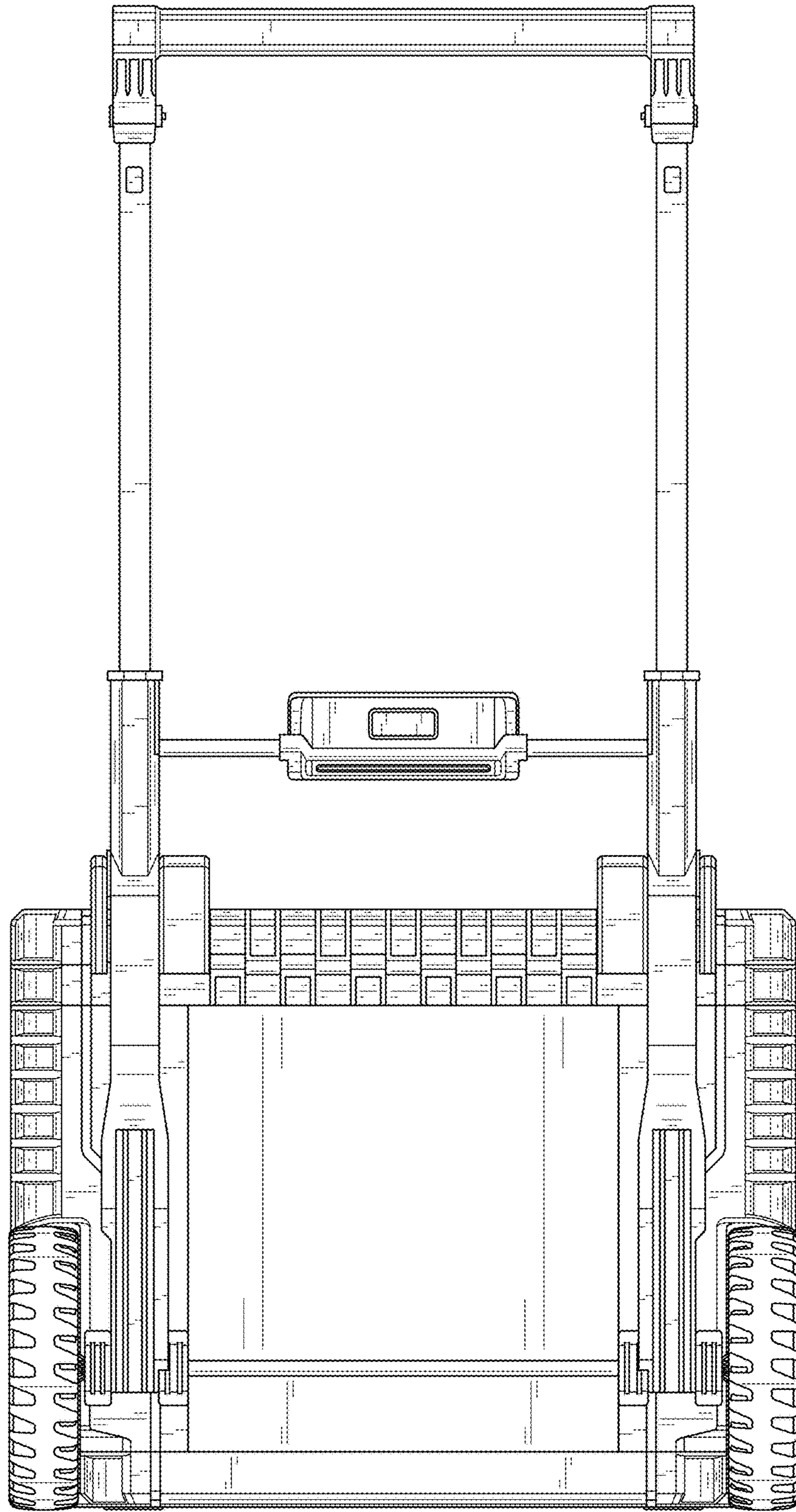


FIG. 4

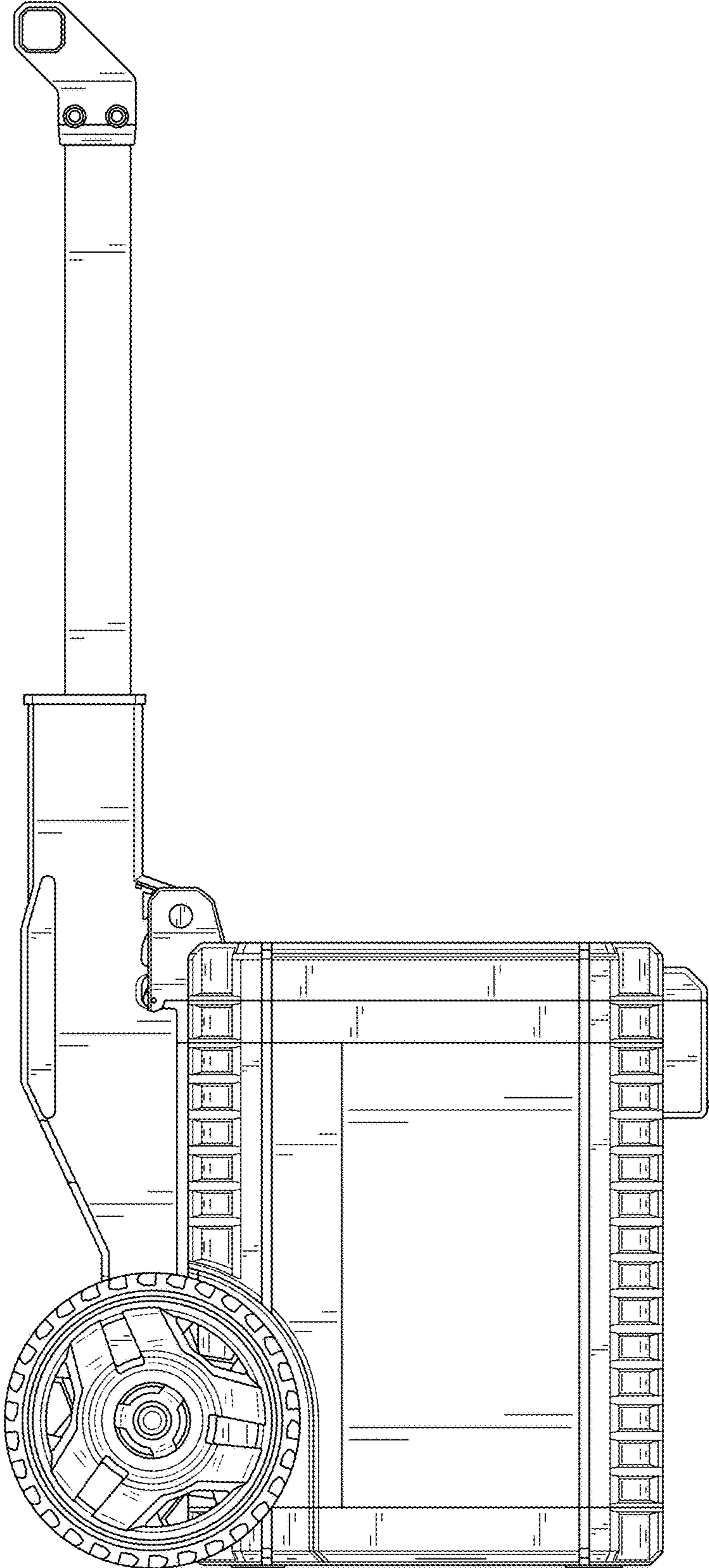


FIG. 5

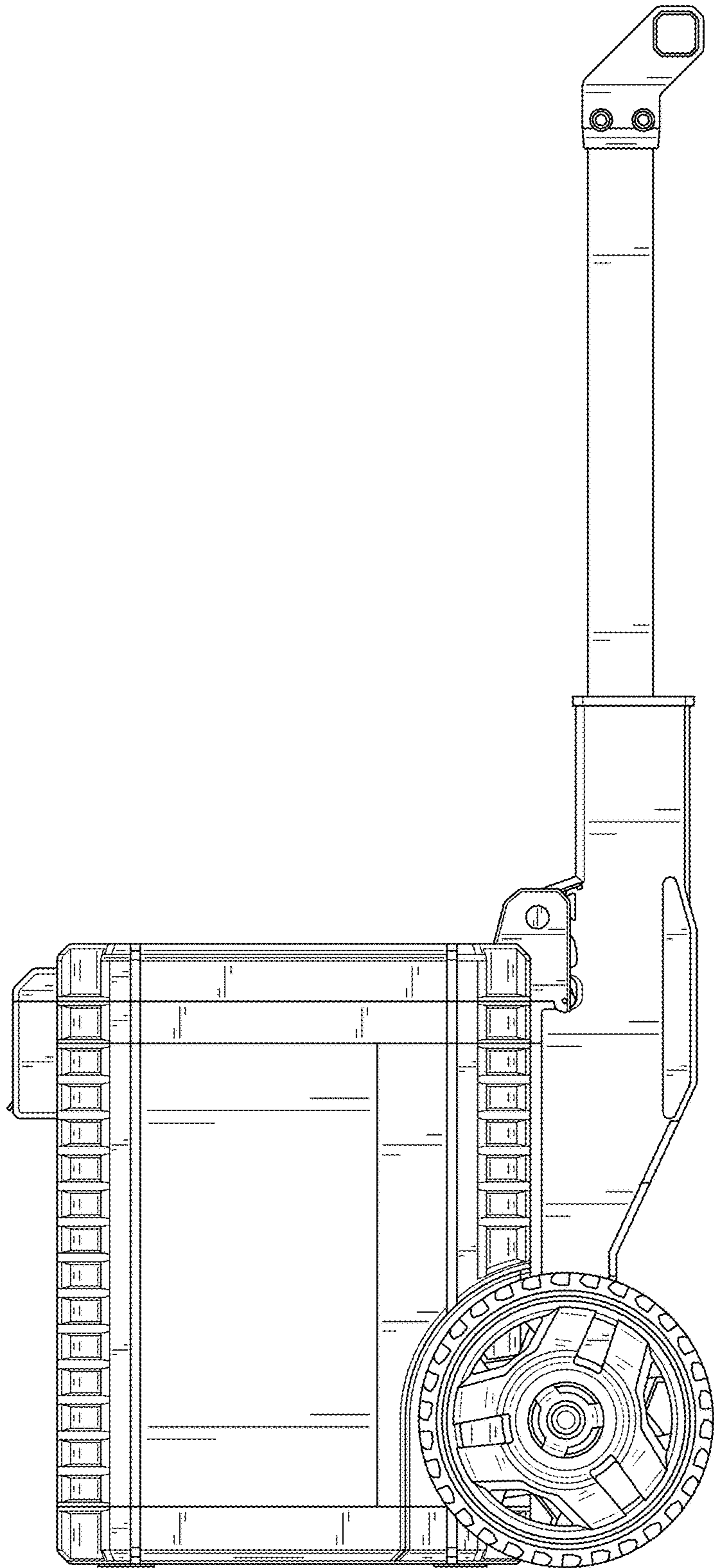


FIG. 6

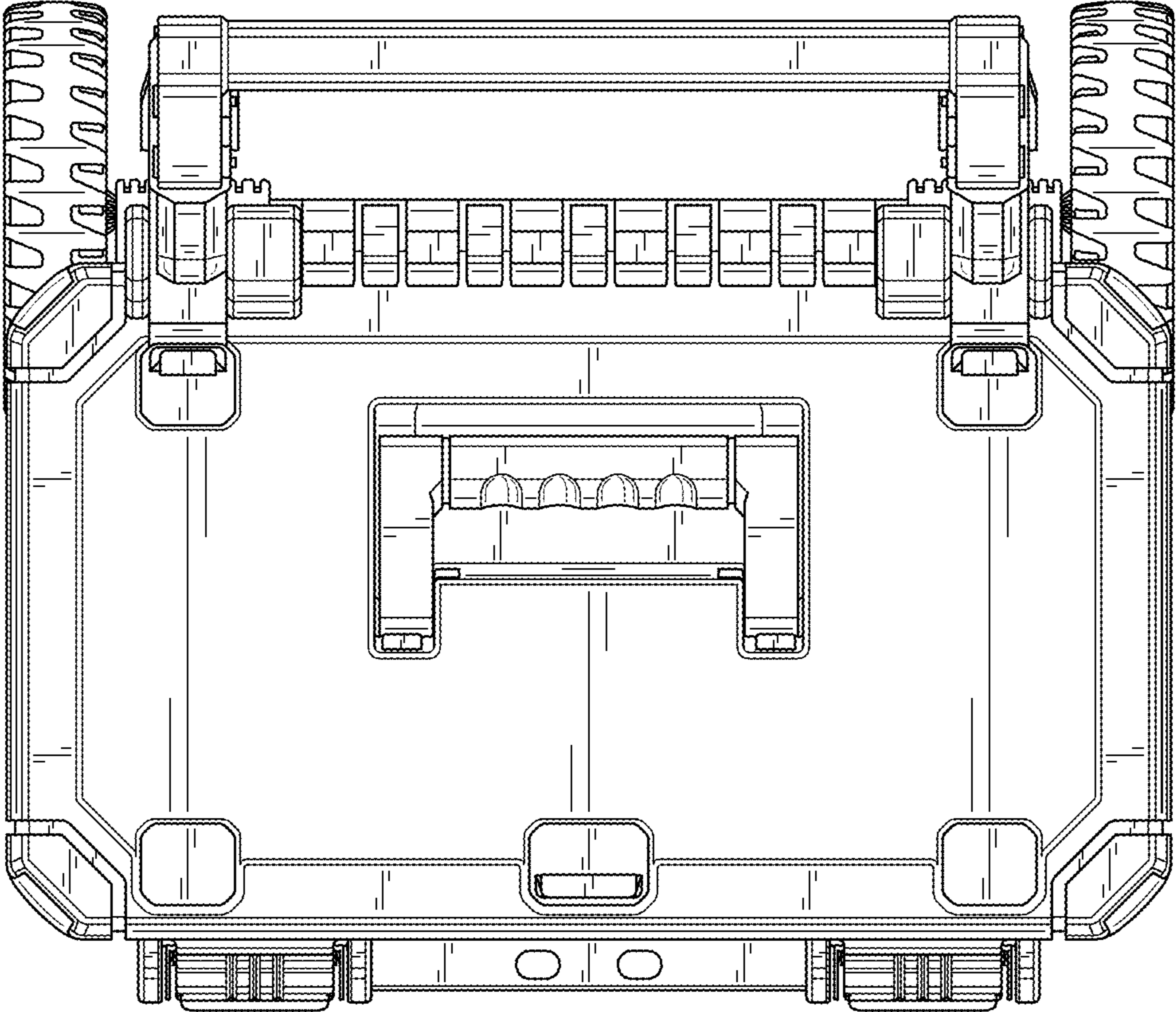


FIG. 7

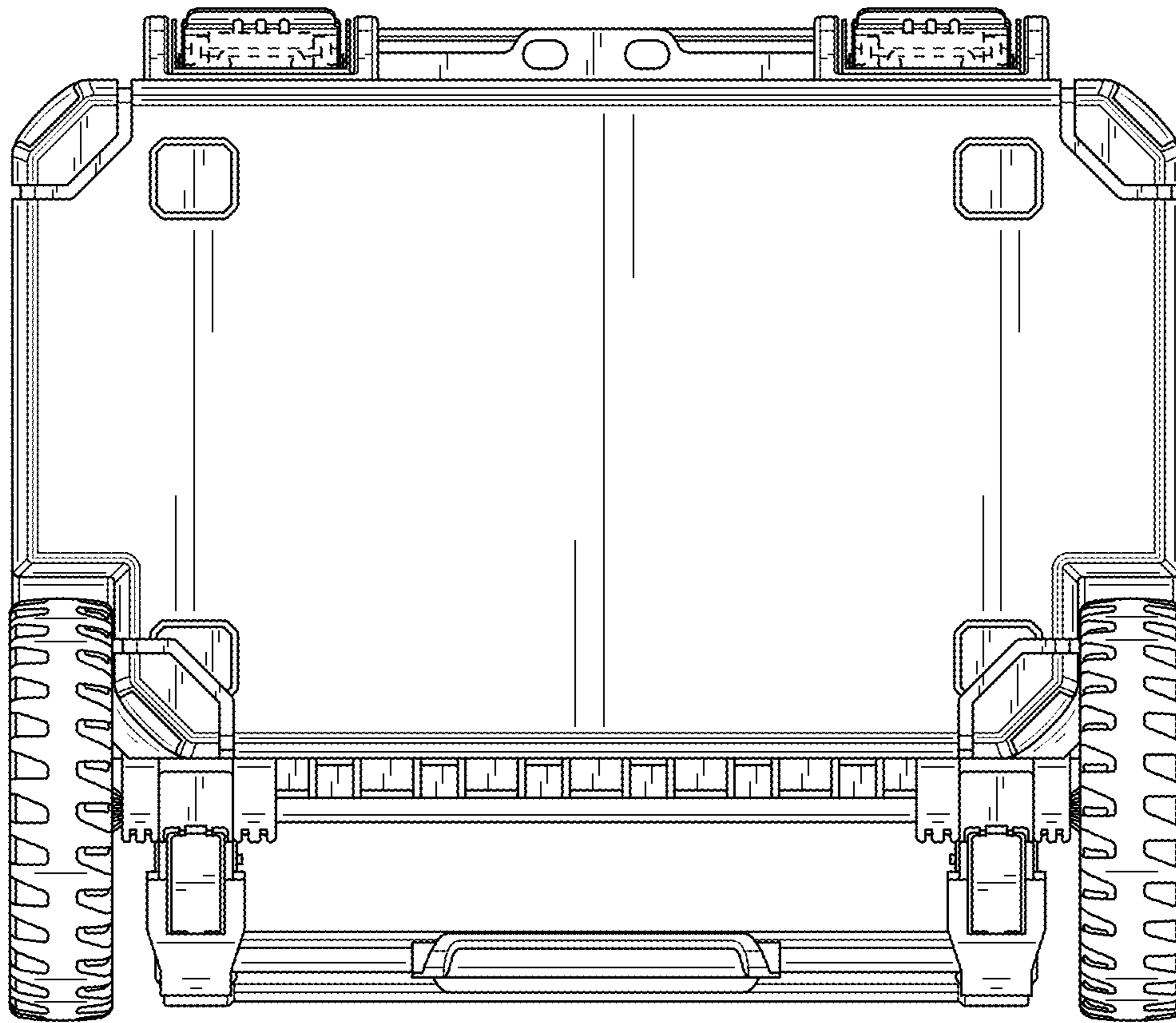


FIG. 8