



US00D837514S

(12) **United States Design Patent**
Moon

(10) **Patent No.:** **US D837,514 S**
(45) **Date of Patent:** **** Jan. 8, 2019**

(54) **SUITCASE**
(71) Applicant: **FTI GROUP (HOLDING) COMPANY LIMITED**, Grand Cayman (KY)

D710,101 S * 8/2014 Wu D3/279
D710,609 S * 8/2014 Sijmons D3/279
D714,055 S * 9/2014 Junkins D3/279
D743,697 S * 11/2015 Tooze D3/279
D783,282 S * 4/2017 Sijmons D3/279
D798,669 S * 10/2017 Lee D7/605

(72) Inventor: **Jerry Moon**, Taipei (TW)
(73) Assignee: **FTI GROUP (HOLDING) COMPANY LIMITED**, Grand Cayman (KY)

OTHER PUBLICATIONS

Walmart, "Discontinued Coleman Ration Hardside Rolling Suitcase", first reviewed Nov. 23, 2015. (<https://www.walmart.com/ip/DISCONTINUED-Coleman-Ration-Hardside-Rolling-Suitcase/44782684>) (Year: 2015).*
All Things Jeep, "Jeep Hard Sided Luggage, 20" Upright, Charcoal Grey, Multi-directional Wheels, Telescoping Handle", Accessed Jul. 27, 2018. (<https://www.allthingsjeep.com/oli-12122a-20-20.html>) (Year: 2018).*

(**) Term: **15 Years**

(21) Appl. No.: **29/601,688**

(22) Filed: **Apr. 25, 2017**

* cited by examiner

(30) **Foreign Application Priority Data**

Mar. 29, 2017 (TW) 106301686

(51) **LOC (11) Cl.** **03-01**

(52) **U.S. Cl.**
USPC **D3/279**

(58) **Field of Classification Search**
USPC D3/269, 272, 273, 274, 276, 277, 279, D3/280, 281, 283, 284, 285, 289, 302, D3/900, 902, 904, 271.2
CPC A45C 5/00; A45C 5/03; A45C 2005/032; A45C 5/08; A45C 5/14; A45C 2009/005
See application file for complete search history.

Primary Examiner — Jennifer Rivard

Assistant Examiner — April Rivas

(74) *Attorney, Agent, or Firm* — Rabin & Berdo, P.C.

(57) **CLAIM**

The ornamental design of a suitcase, as shown and described.

DESCRIPTION

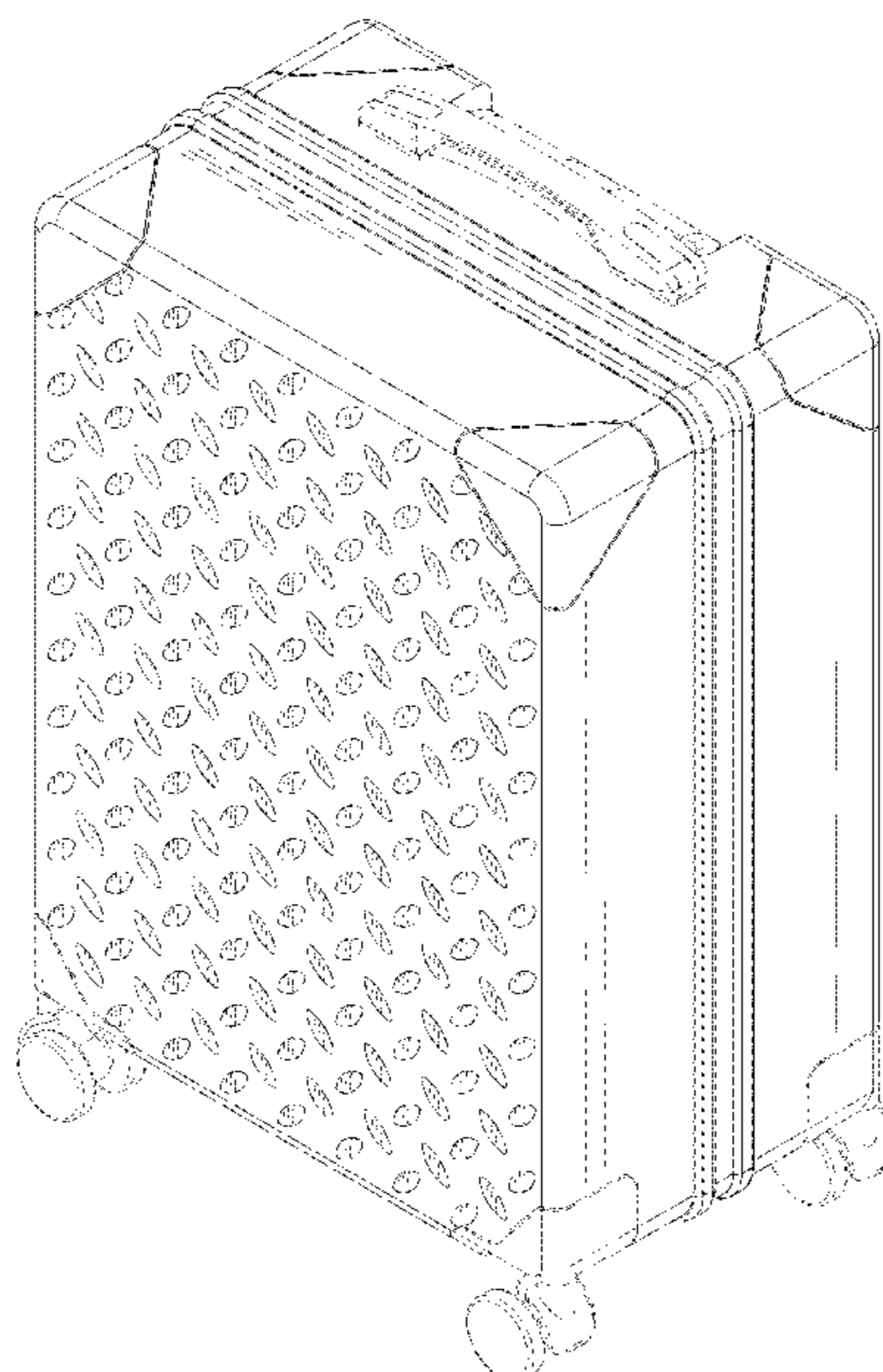
FIG. 1 is a perspective view of a suitcase showing my new design;
FIG. 2 is a front view thereof;
FIG. 3 is a rear view thereof;
FIG. 4 is a left side view thereof;
FIG. 5 is a right side view thereof;
FIG. 6 is a top view thereof; and,
FIG. 7 is a bottom view thereof.
The broken lines illustrate portions of the suitcase and form no part of the claimed design.

(56) **References Cited**

U.S. PATENT DOCUMENTS

D581,666 S * 12/2008 Sijmons D3/279
D610,349 S * 2/2010 Ehret D3/279
D611,252 S * 3/2010 Fiscus D3/272
D630,015 S * 1/2011 Weng D12/414.1
D644,435 S * 9/2011 Weng D3/279

1 Claim, 6 Drawing Sheets



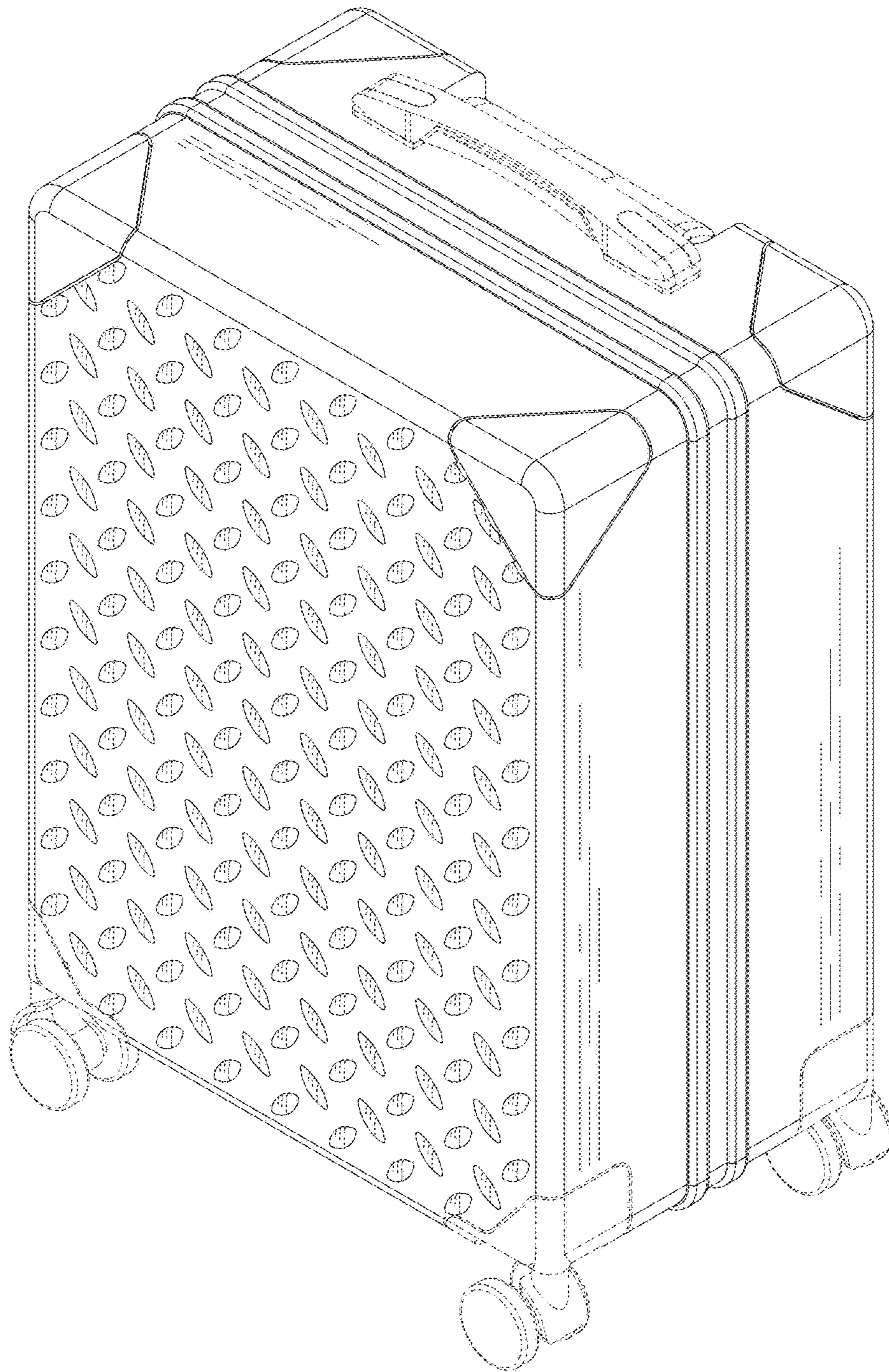


FIG. 1

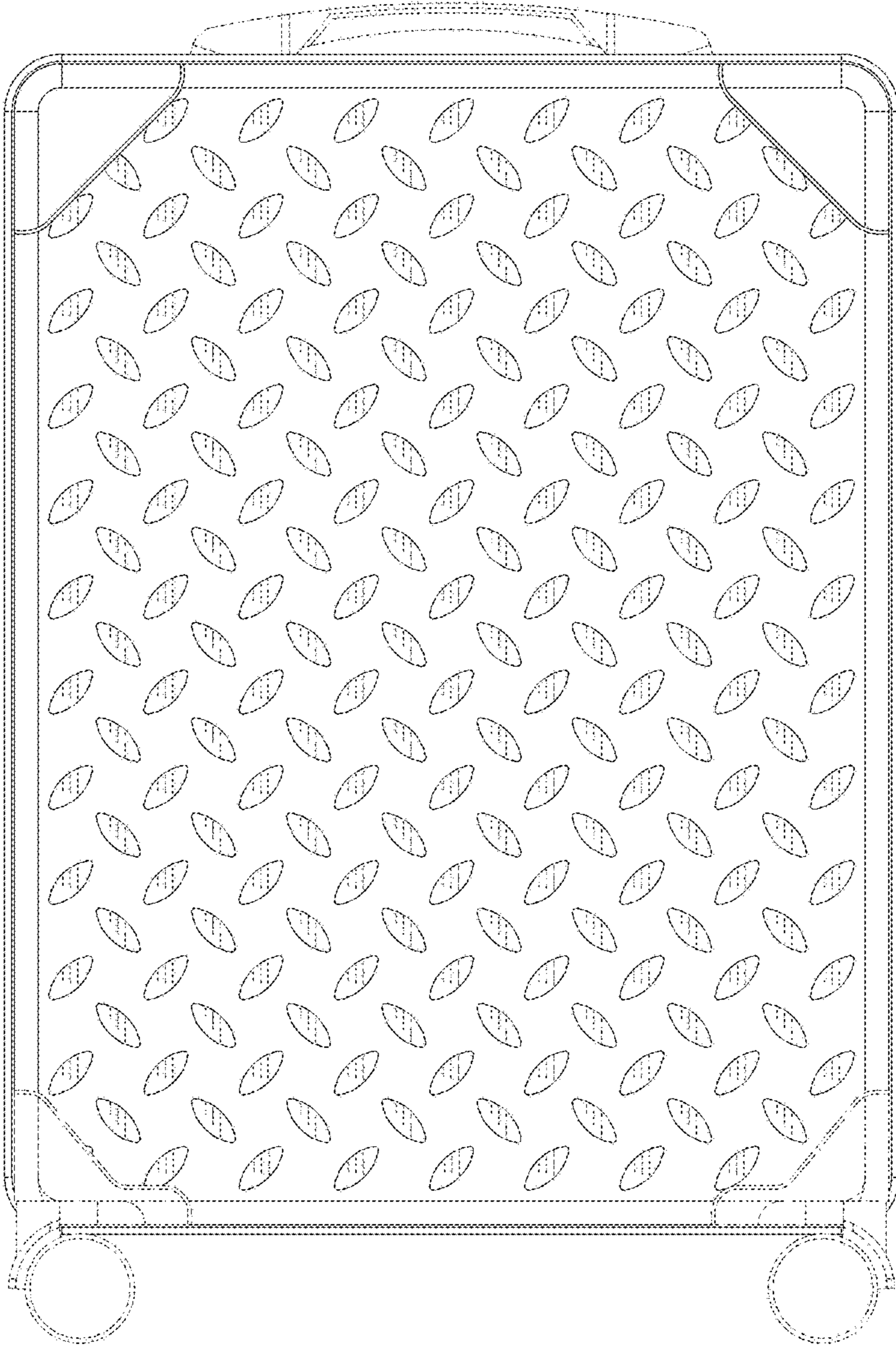


FIG. 2

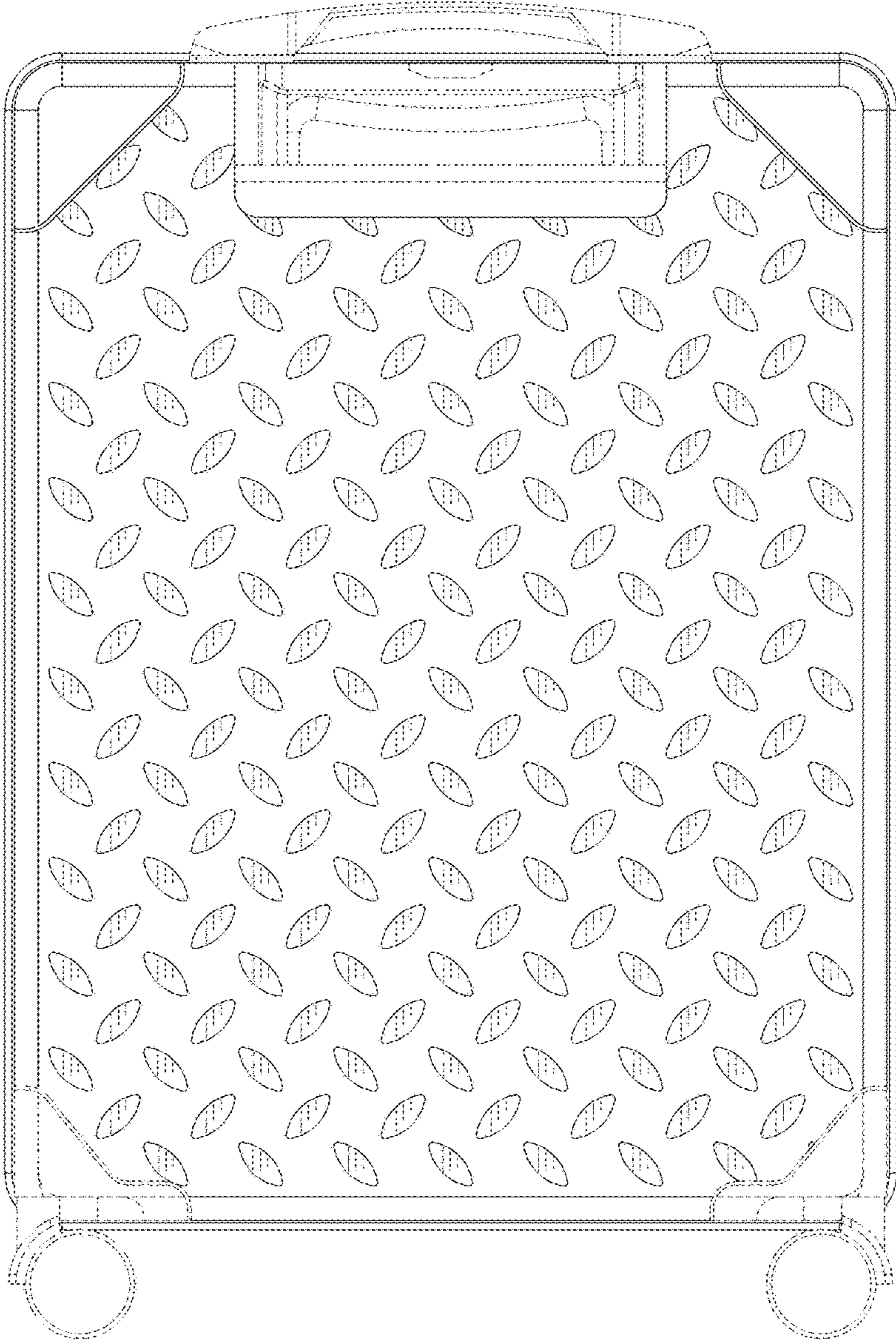


FIG. 3

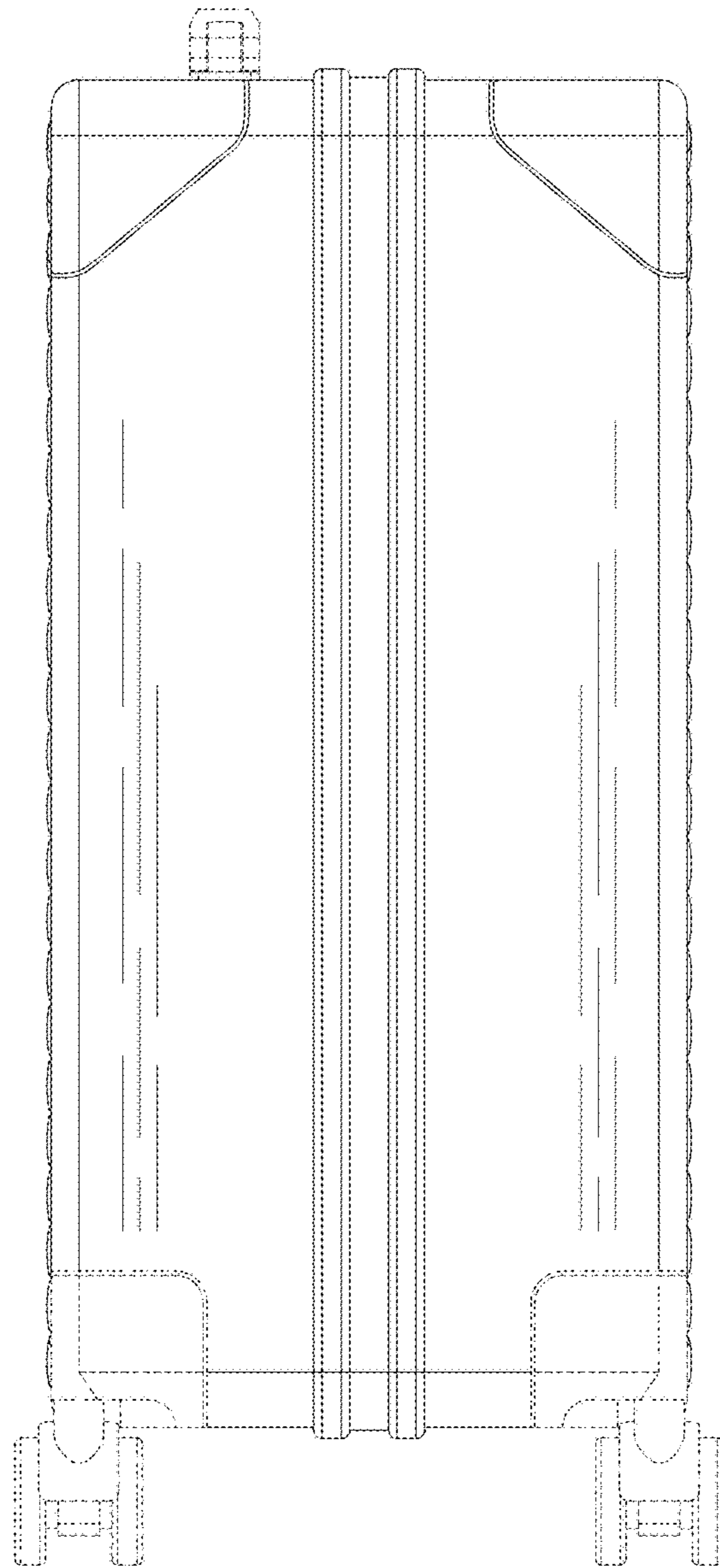


FIG. 4

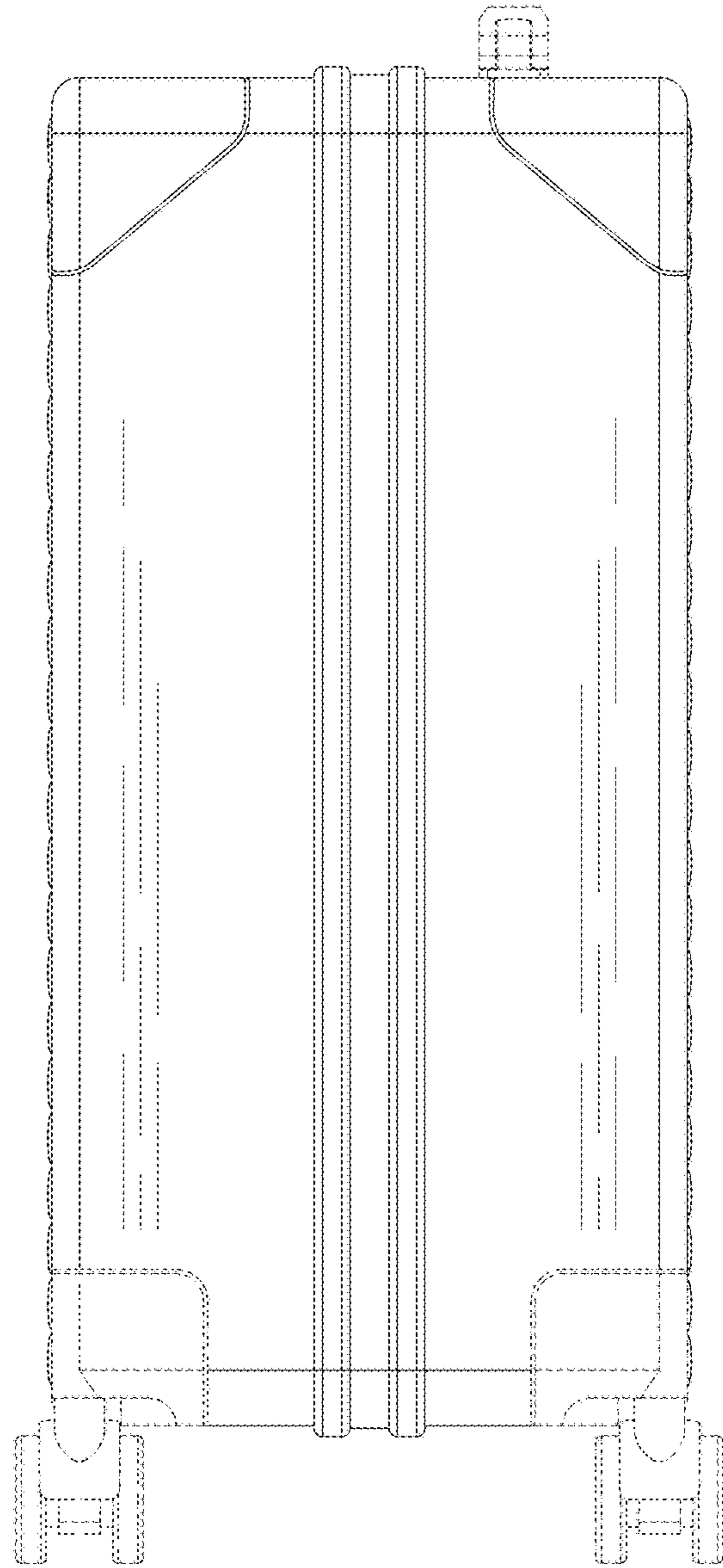


FIG. 5

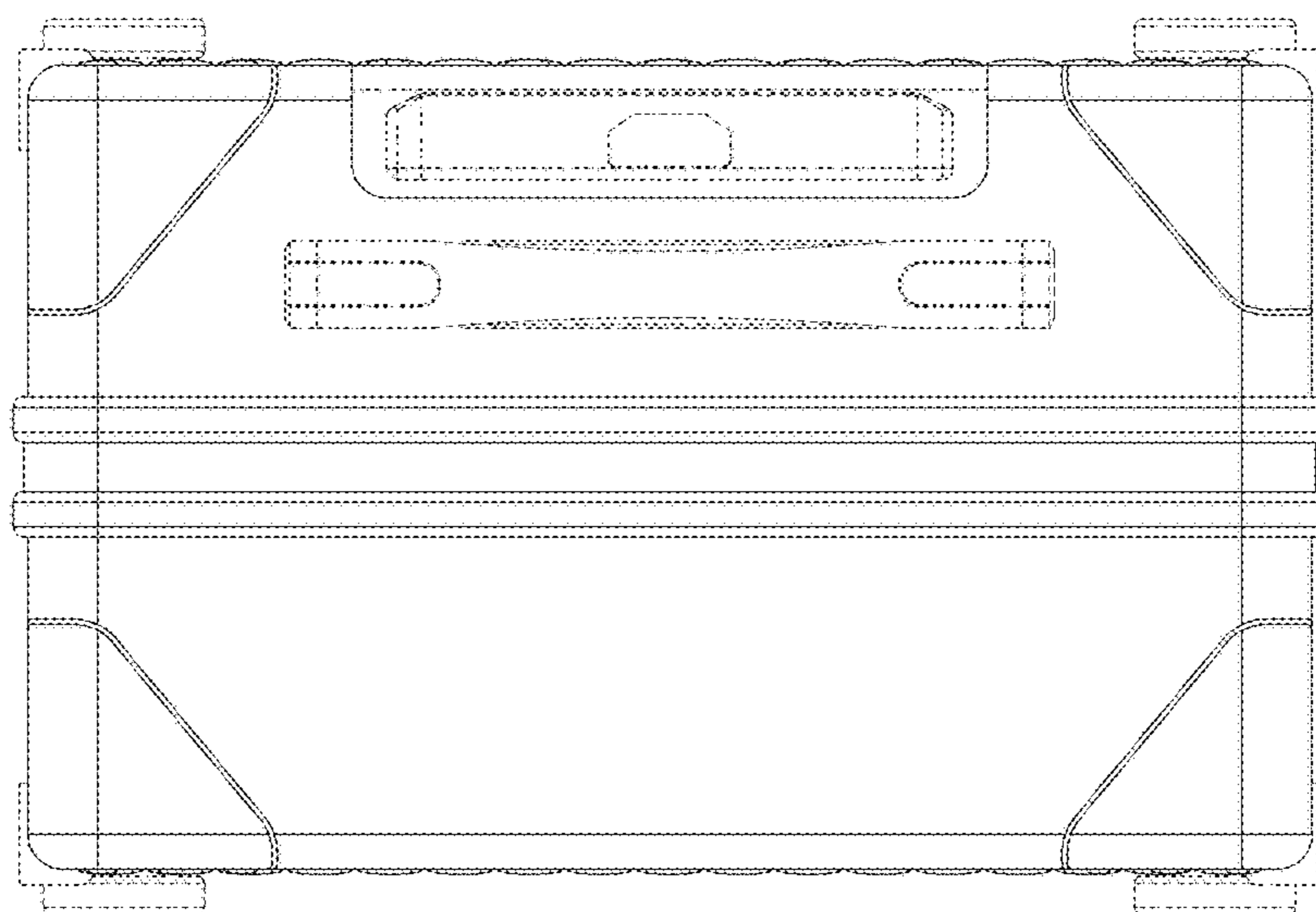


FIG. 6

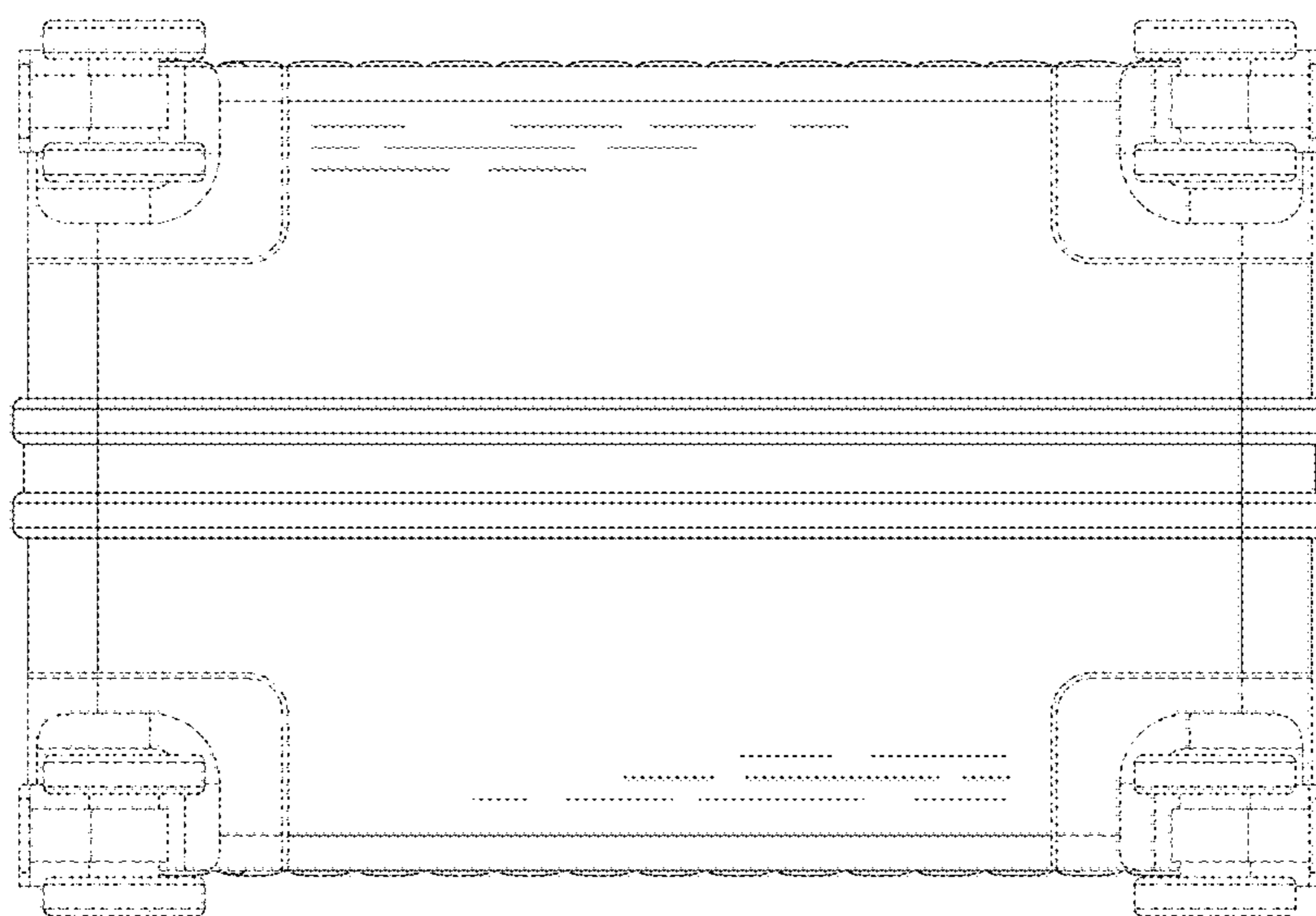


FIG. 7