



US00D837509S

(12) **United States Design Patent**  
**Austin et al.**

(10) **Patent No.:** **US D837,509 S**  
(45) **Date of Patent:** **\*\* Jan. 8, 2019**

(54) **HANDBAG WITH HOOK COMPARTMENTS**

D642,795 S \* 8/2011 Reisenhel ..... D3/234  
D685,573 S \* 7/2013 Woog ..... D3/234

(71) Applicants: **Vanessa Austin**, Bedford, OH (US);  
**Willie F. Austin**, Bedford, OH (US)

\* cited by examiner

(72) Inventors: **Vanessa Austin**, Bedford, OH (US);  
**Willie F. Austin**, Bedford, OH (US)

*Primary Examiner* — Holly H Baynham  
(74) *Attorney, Agent, or Firm* — Jerry D Haynes; Law  
Office of Jerry D Haynes

(\*\*) Term: **15 Years**

(21) Appl. No.: **29/591,442**

(22) Filed: **Jan. 19, 2017**

**Related U.S. Application Data**

(63) Continuation-in-part of application No. 14/593,319,  
filed on Jan. 9, 2015, now abandoned.

(51) **LOC (11) Cl.** ..... **03-01**

(52) **U.S. Cl.**  
USPC ..... **D3/234**

(58) **Field of Classification Search**  
USPC ..... D3/232–234, 239, 240–243, 245–246  
CPC ..... A45C 1/024; A45C 3/06  
See application file for complete search history.

(56) **References Cited**

**U.S. PATENT DOCUMENTS**

D582,667 S \* 12/2008 Walton ..... D3/234  
D629,194 S \* 12/2010 Mitchell ..... D3/234

(57) **CLAIM**

The ornamental design for a handbag with hook compart-  
ments, as shown.

**DESCRIPTION**

FIG. 1 depicts a first side view of a handbag in accordance  
with the present invention.

FIG. 2 depicts a second side view of the handbag in  
accordance with the present invention.

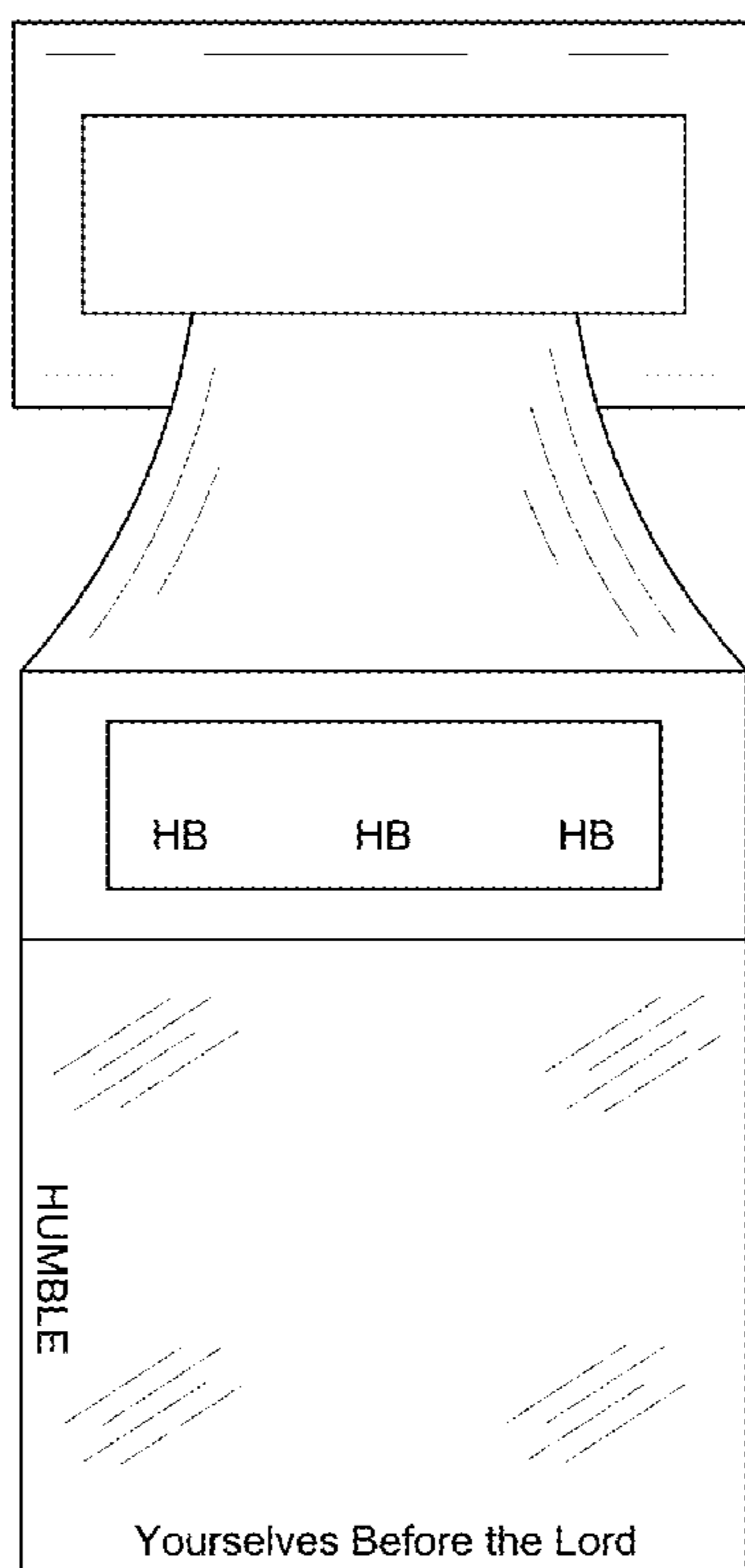
FIG. 3 depicts a first end view of the handbag in accordance  
with the present invention.

FIG. 4 depicts a second end view of the handbag in  
accordance with the present invention.

FIG. 5 depicts a top plan view of the handbag in an opened  
position in accordance with the present invention; and,

FIG. 6 depicts a prospective view of the handbag in accor-  
dance with the present invention.

**1 Claim, 6 Drawing Sheets**



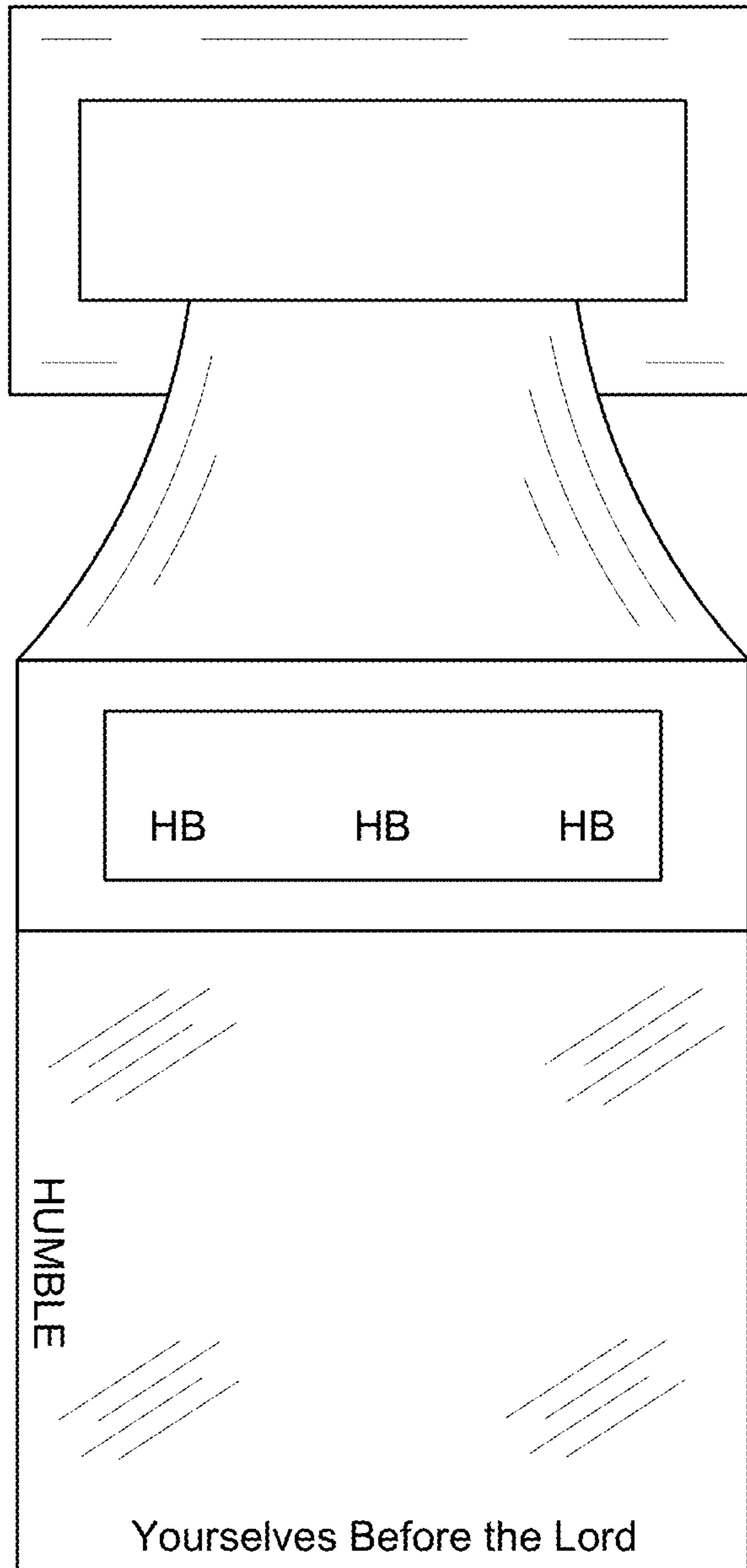


FIG. 1

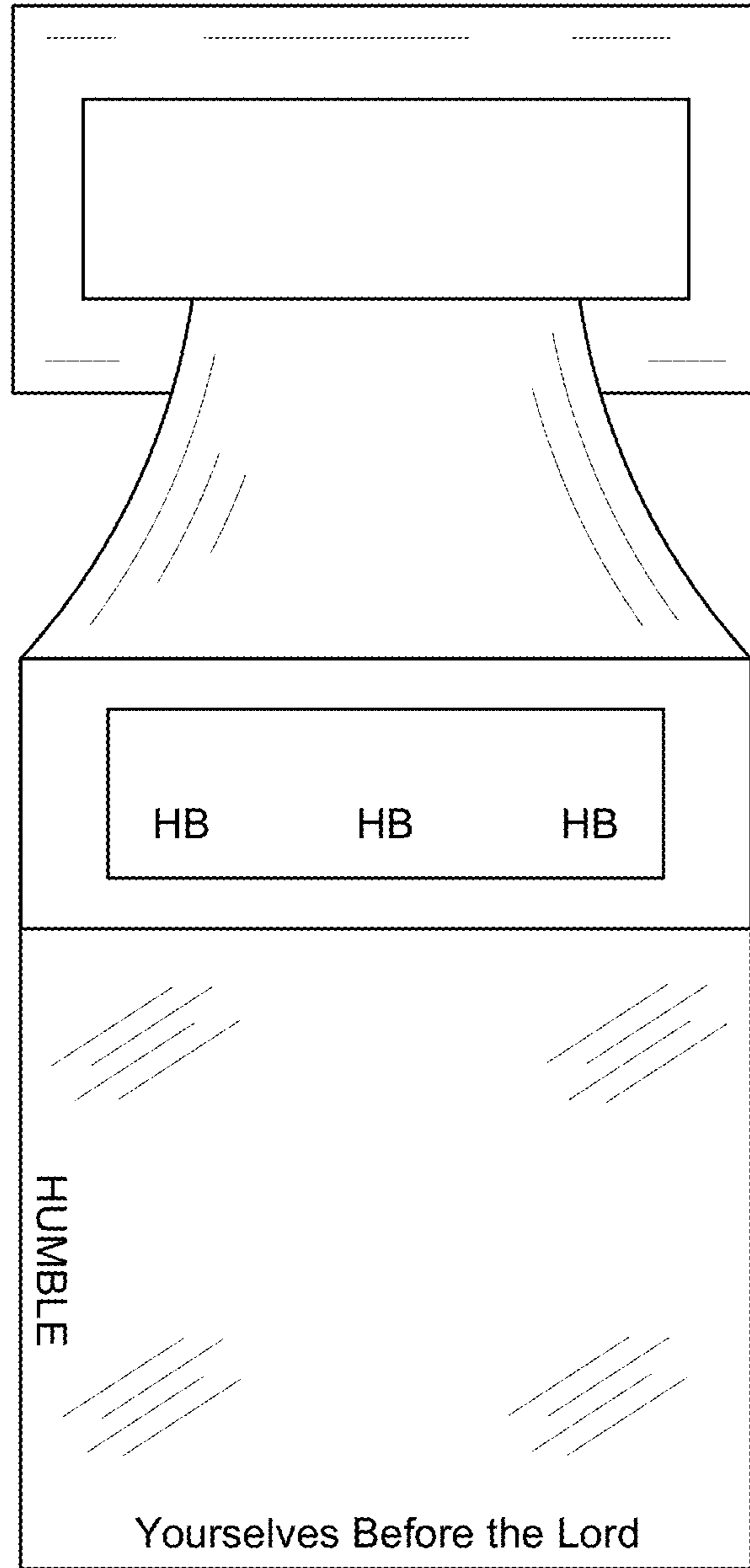


FIG. 2

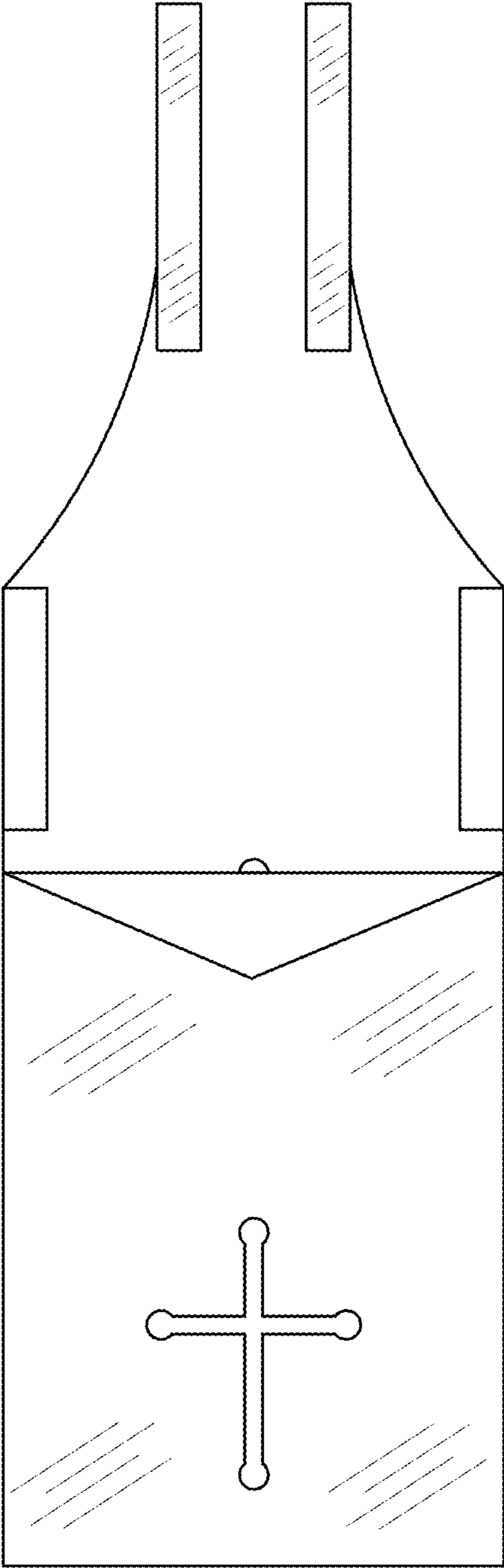


FIG. 3

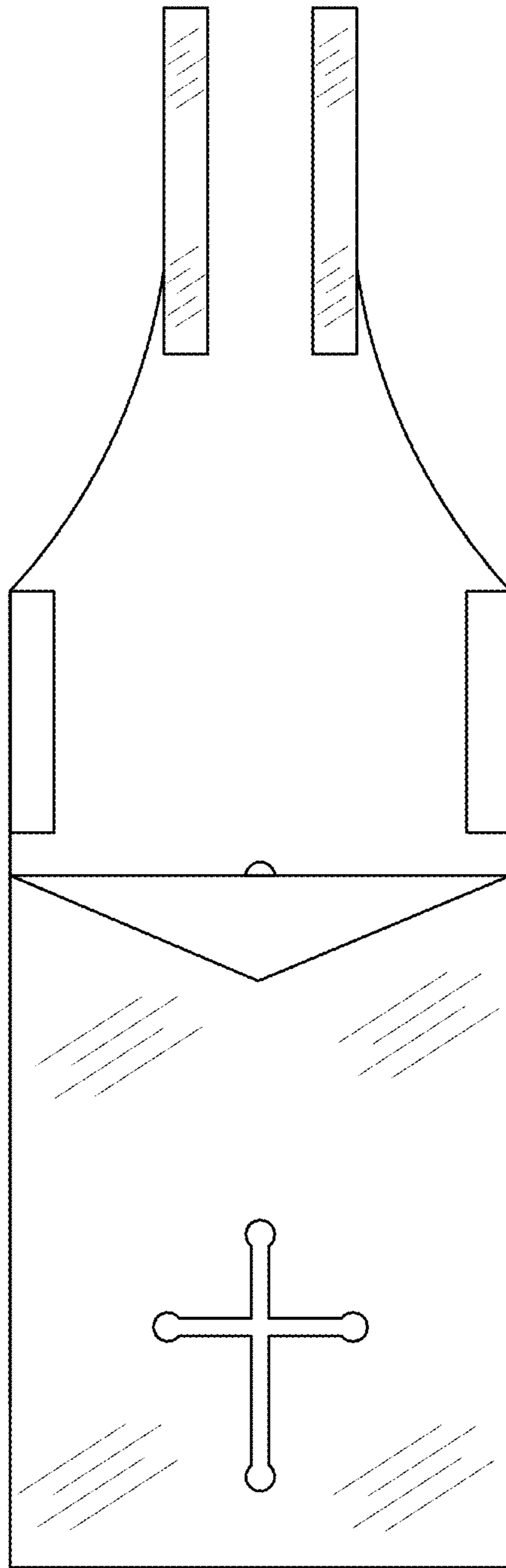


FIG. 4

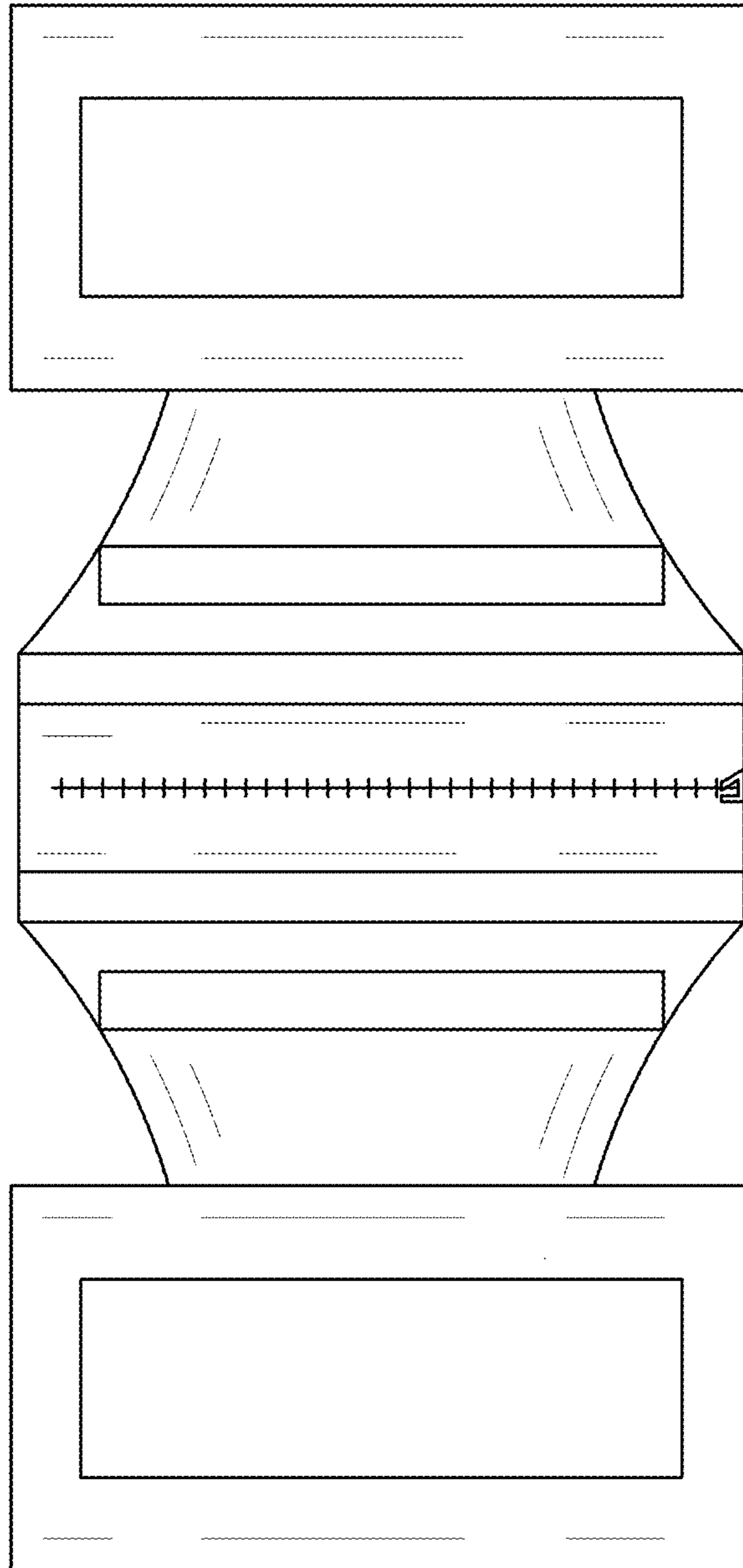


FIG. 5

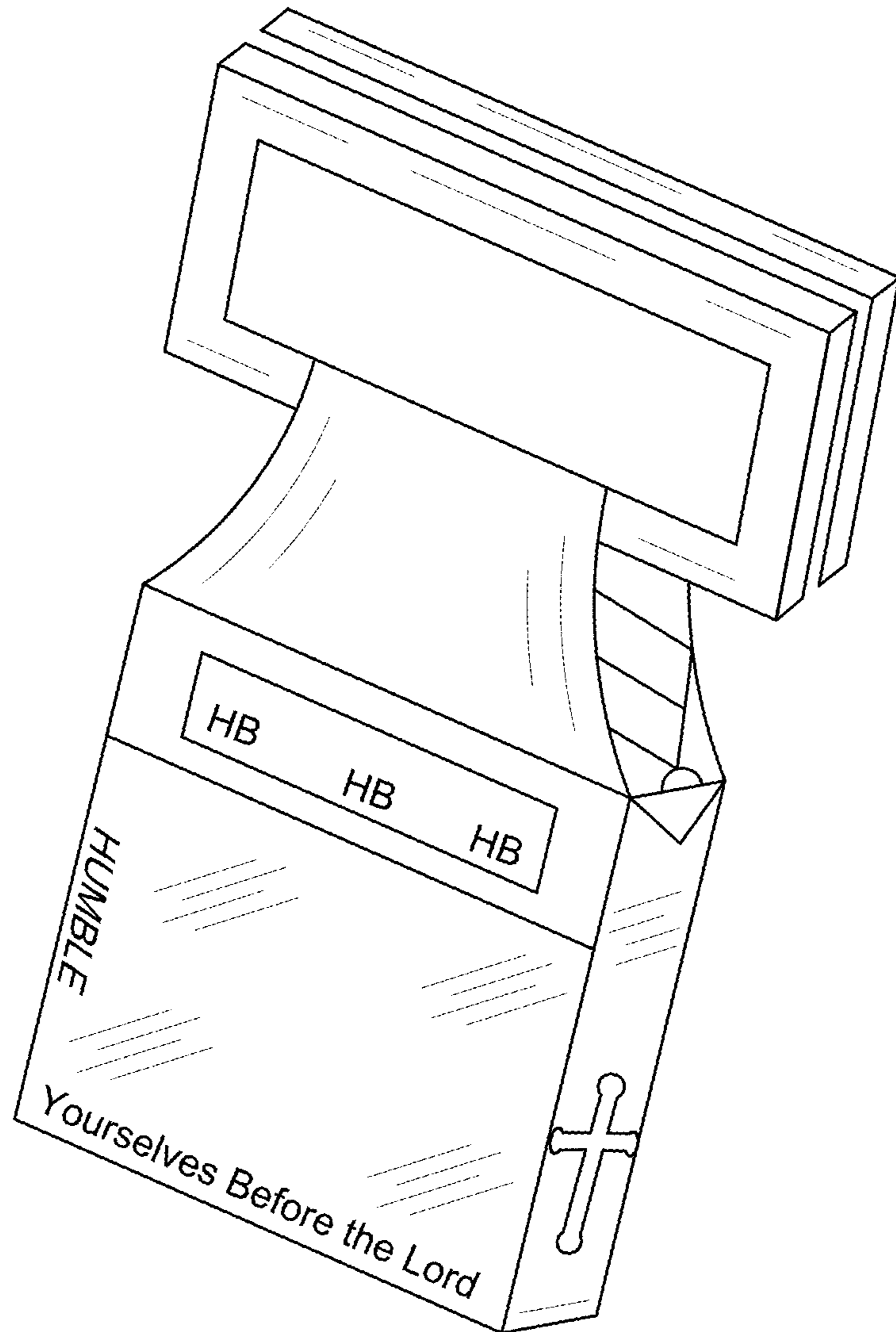


FIG. 6