



US00D837508S

(12) **United States Design Patent**
Shelton

(10) **Patent No.:** **US D837,508 S**

(45) **Date of Patent:** **** Jan. 8, 2019**

(54) **COMBINATION KEY RING AND FRAGRANCE DISPENSER**

D783,268 S * 4/2017 Shelton D28/91.1
D802,428 S * 11/2017 Staab D9/522

* cited by examiner

(71) Applicant: **Nicole Shelton**, Astoria, NY (US)

Primary Examiner — Ralf Seifert

(72) Inventor: **Nicole Shelton**, Astoria, NY (US)

(74) *Attorney, Agent, or Firm* — Matthew M. Googe;
Robinson IP Law, PLLC

(**) Term: **15 Years**

(57) **CLAIM**

(21) Appl. No.: **29/626,504**

The ornamental design for a combination key ring and fragrance dispenser, as shown and described.

(22) Filed: **Nov. 17, 2017**

DESCRIPTION

(51) **LOC (11) Cl.** **03-01**

(52) **U.S. Cl.**

USPC **D3/208**; D9/544

(58) **Field of Classification Search**

USPC D3/207–212; 70/456 B, 457, 458, 408,
70/456 R; D13/168; D8/347; D10/104;
D14/496; 206/37.1; D21/604, 605, 656,
D21/658, 659; 24/3.6; D11/11, 79, 81,
D11/82, 87; D9/521, 535, 544, 566, 629,
D9/682, 685, 689, 692, 693, 694, 688
CPC H04B 1/034; F04B 15/00; E05B 19/04;
A44B 15/00; A44B 15/002; A44B
15/005; A44B 15/007
See application file for complete search history.

FIG. 1 is a front, left perspective view of the combination key ring and fragrance dispenser showing my new design; FIG. 2 is a front elevational view thereof; FIG. 3 is a left side elevational view thereof, the right side being a mirror image thereof; FIG. 4 is a top view thereof; FIG. 5 is a bottom view thereof; FIG. 6 is a perspective view of combination key ring and fragrance dispenser showing a second embodiment of my new design; FIG. 7 is a front elevational view of FIG. 6; FIG. 8 is a left side elevational view of FIG. 6, the right side being a mirror image thereof; FIG. 9 is a top view of FIG. 6; FIG. 10 is a bottom view of FIG. 6; and, FIG. 11 is a front view of the combination key ring and fragrance dispenser of FIG. 1 in an open configuration with the cap removed.

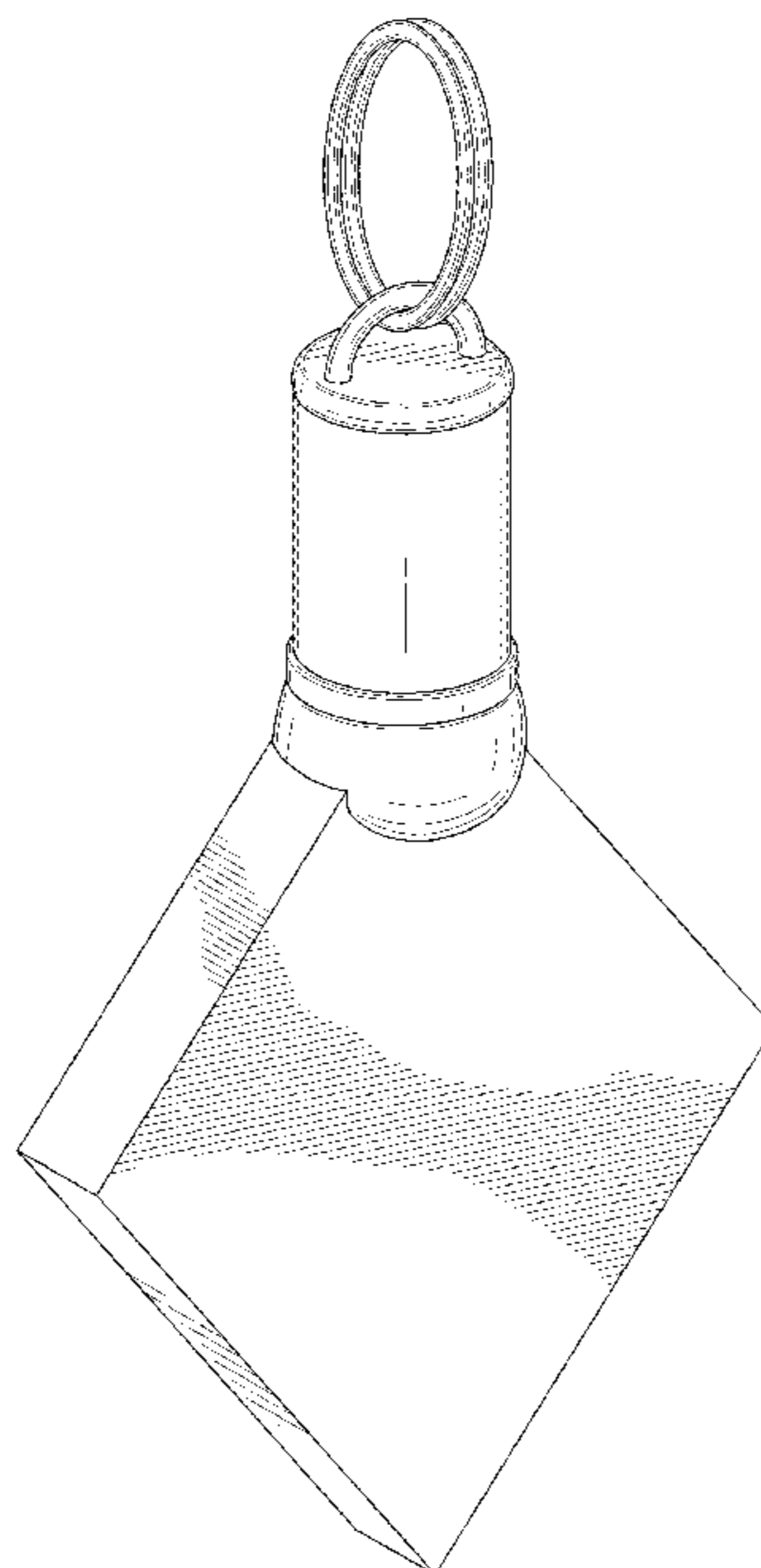
The thin solid lines in the views have been provided for the purpose of illustrating the uniformity of the planar surfaces and the contour of the curved surfaces and are not a claimed surface pattern.

1 Claim, 9 Drawing Sheets

(56) **References Cited**

U.S. PATENT DOCUMENTS

D126,514 S *	4/1941	Payne	D9/566
D149,315 S *	4/1948	Shapiro	D9/544
D259,703 S *	6/1981	Llorente	D9/516
D304,298 S *	10/1989	Bannister	D9/546
D325,698 S *	4/1992	Cavazza	D9/544
D472,149 S *	3/2003	Beals	D3/208
D526,567 S *	8/2006	Dalton	D9/544
D653,956 S *	2/2012	Tauer	D9/544



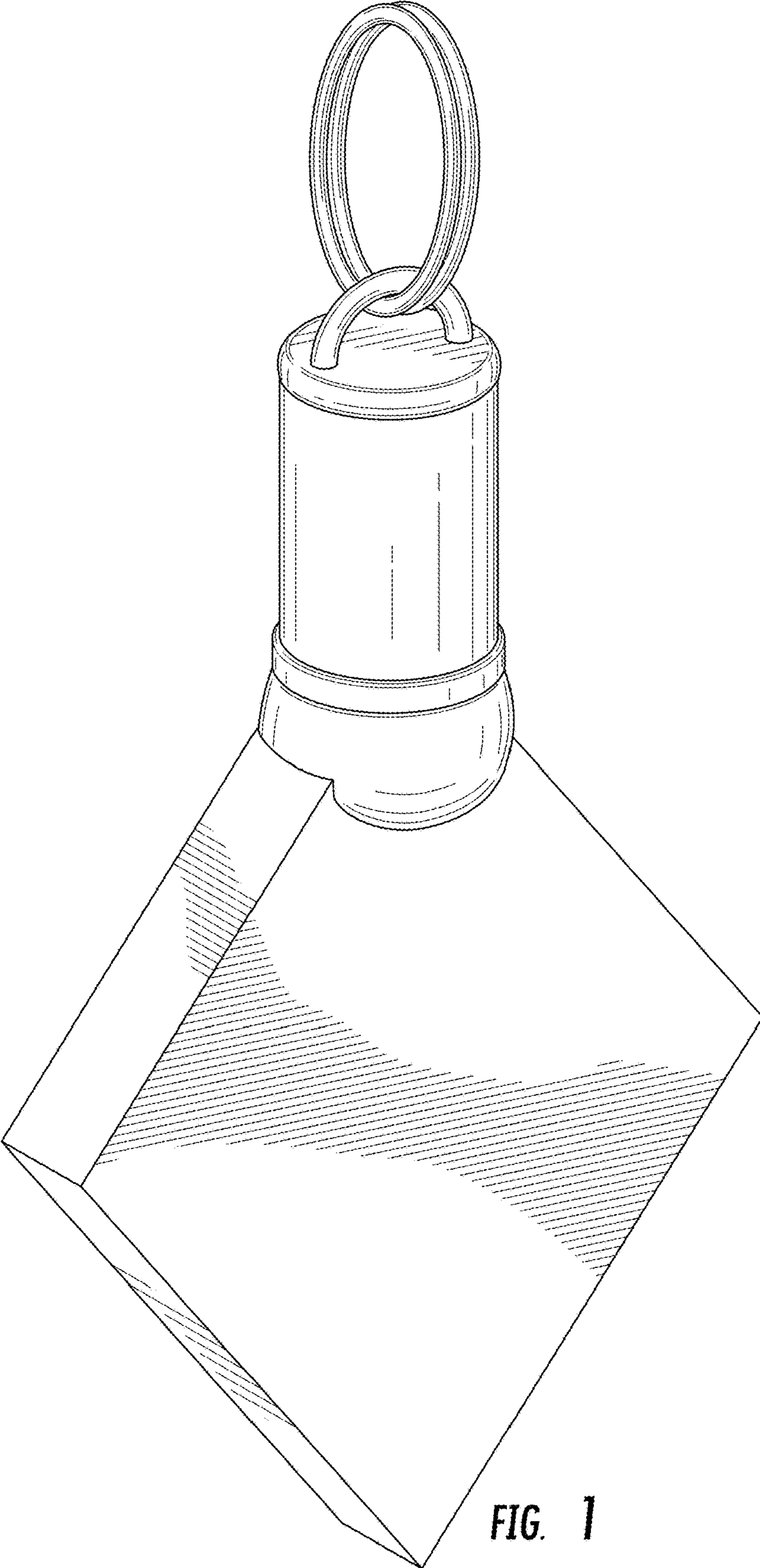


FIG. 1

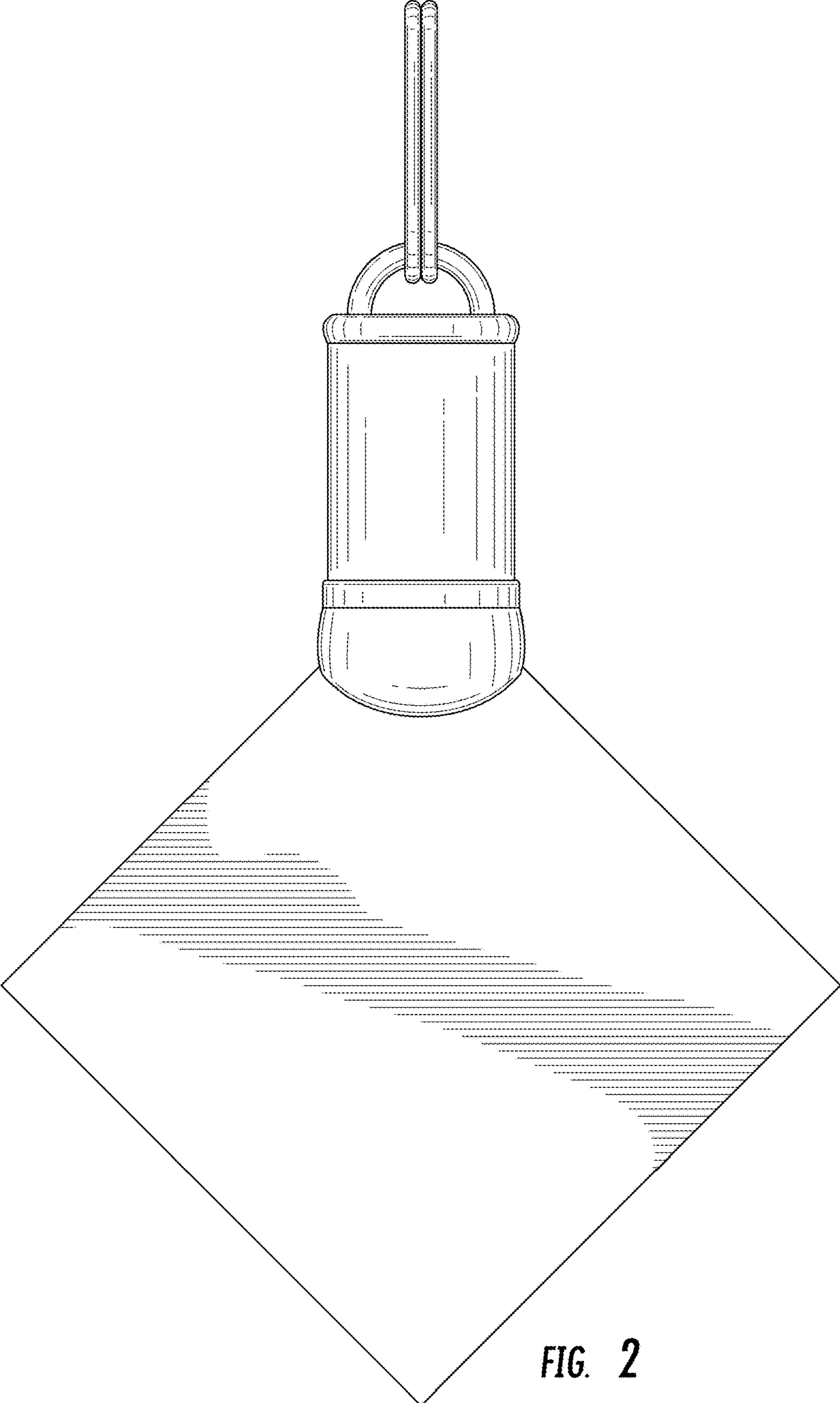


FIG. 2

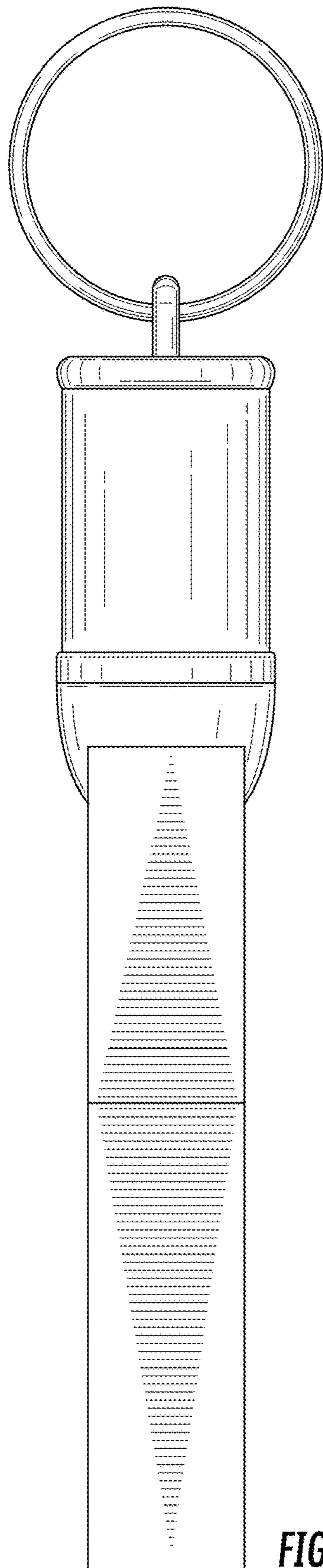


FIG. 3

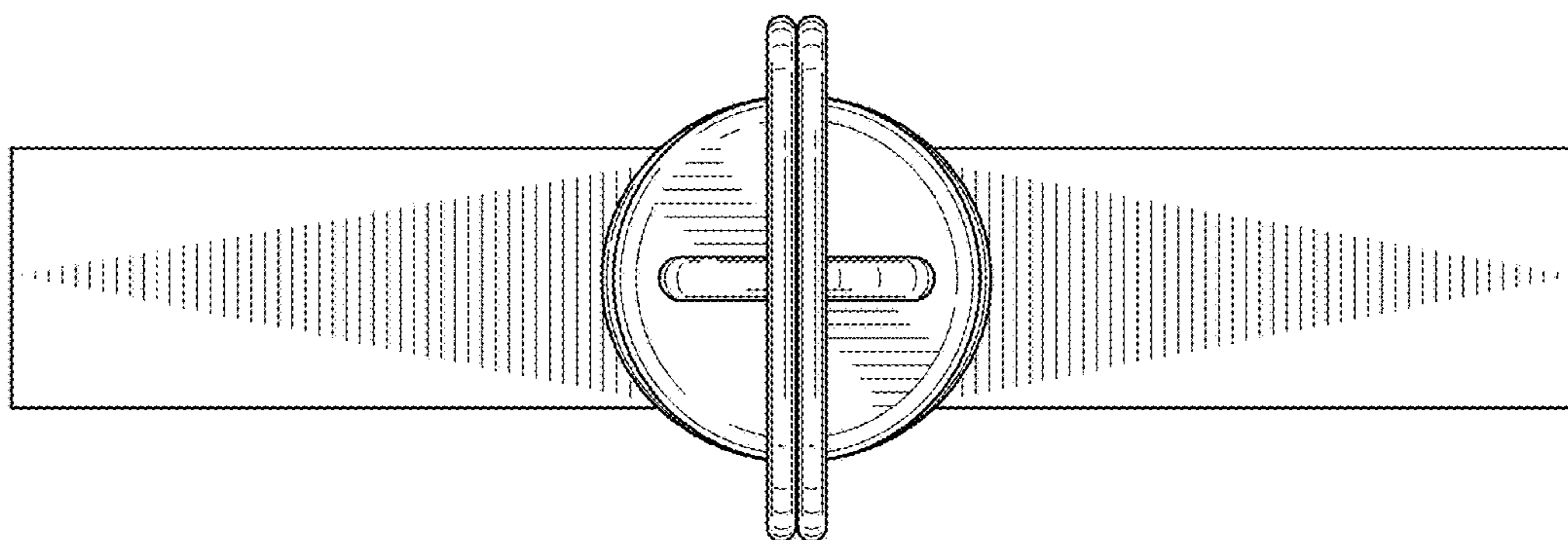


FIG. 4

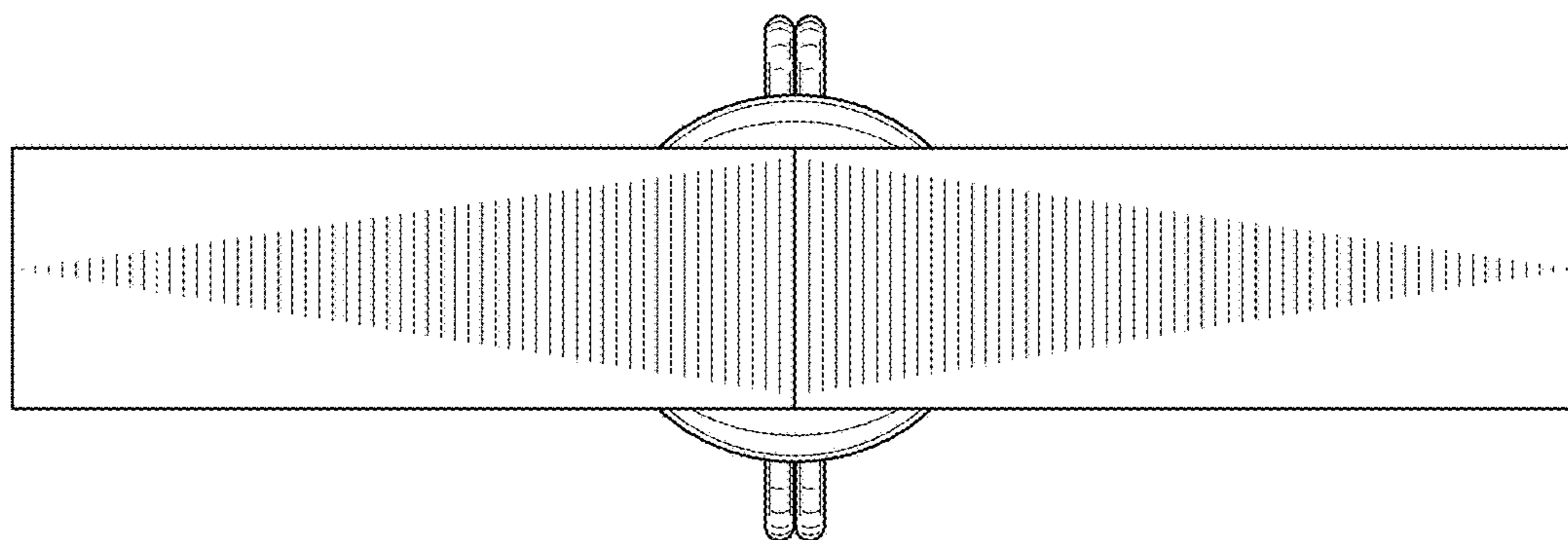


FIG. 5



FIG. 6

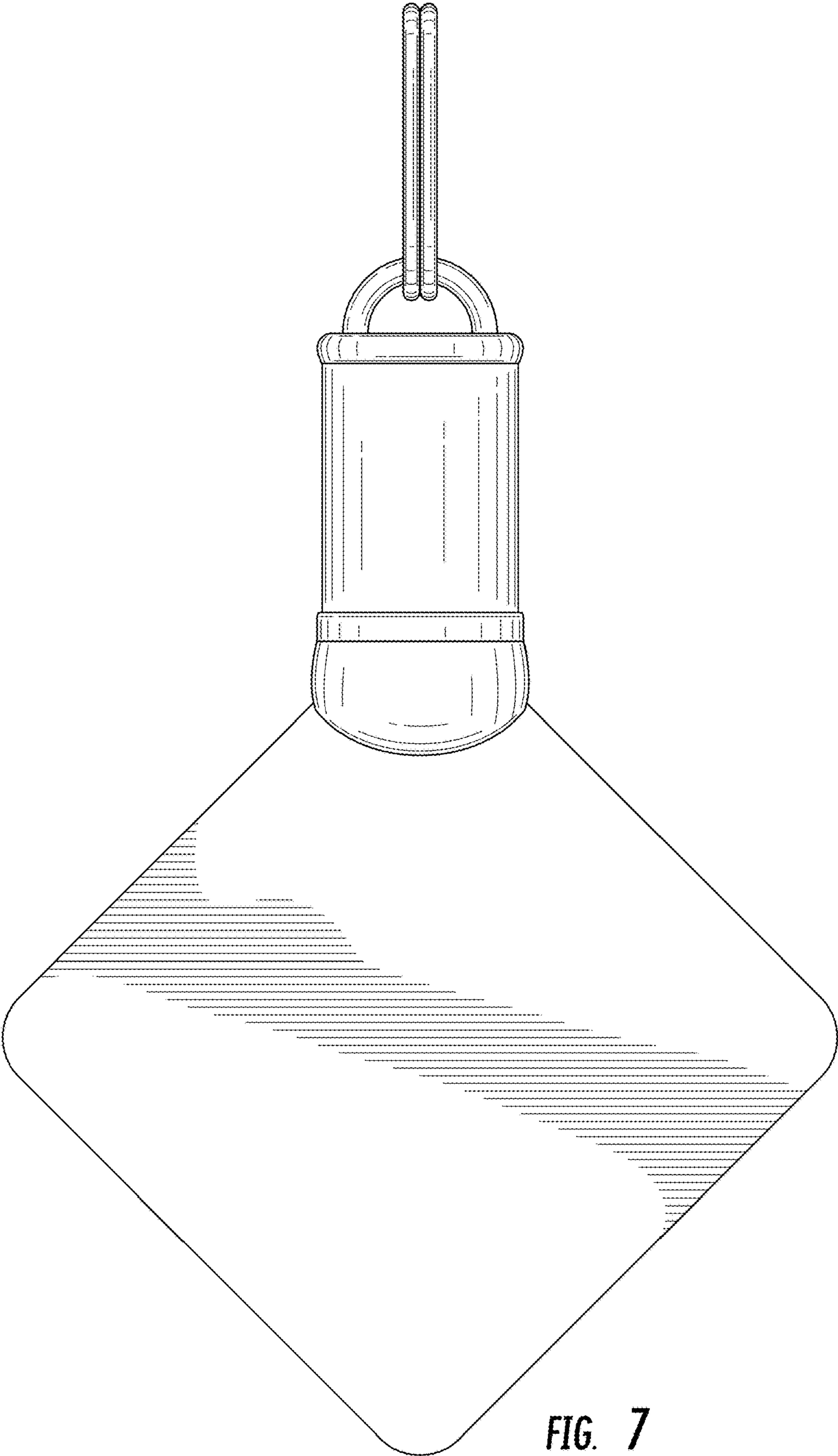


FIG. 7

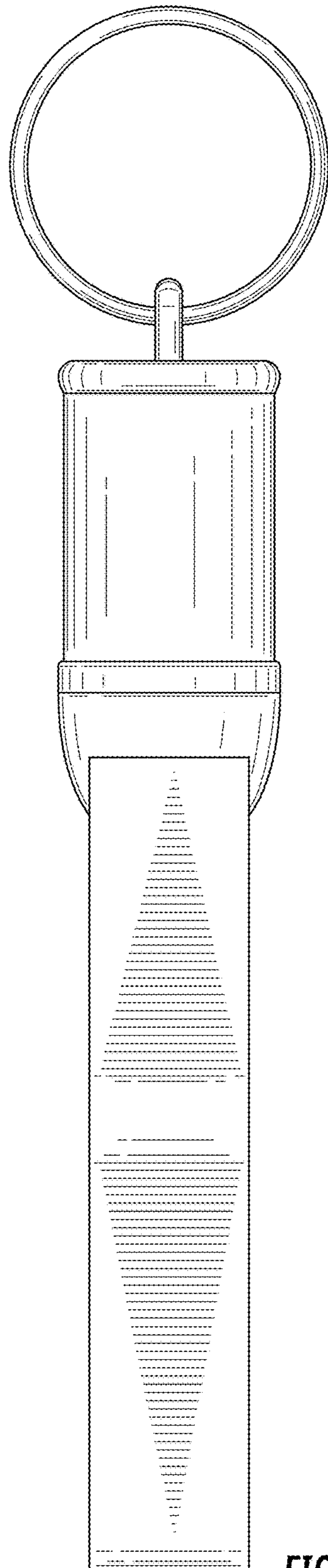


FIG. 8

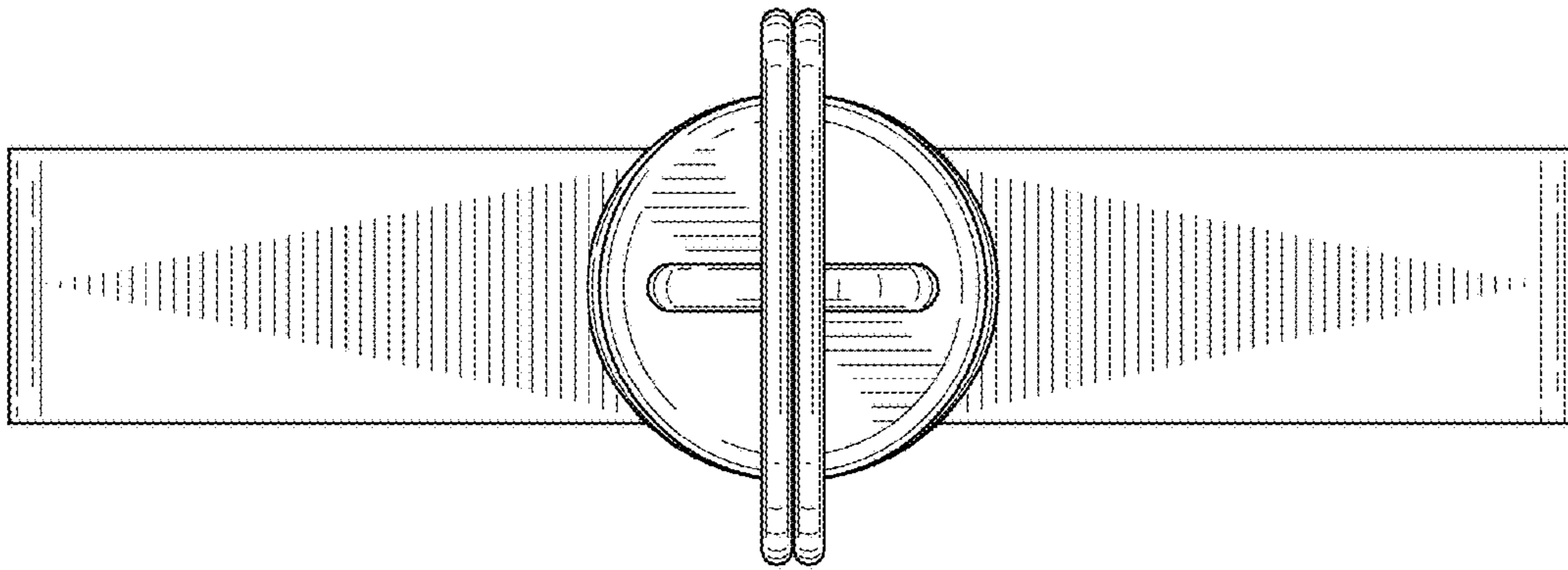


FIG. 9

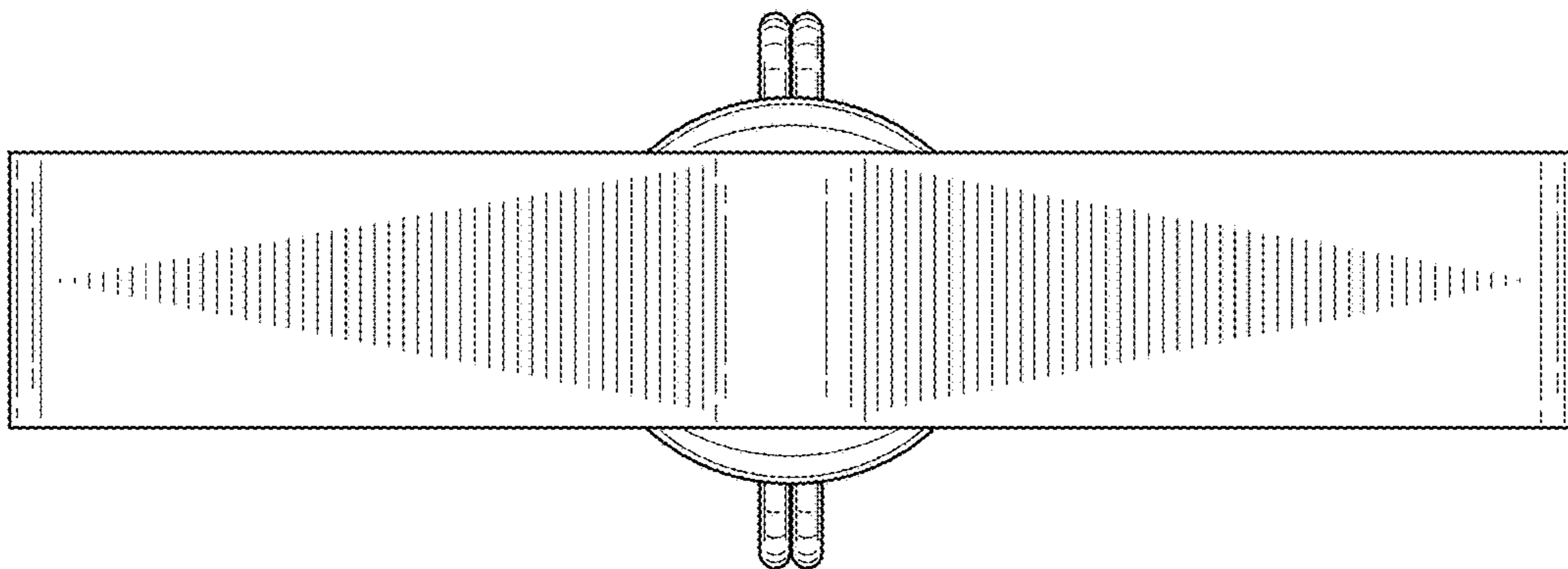


FIG. 10

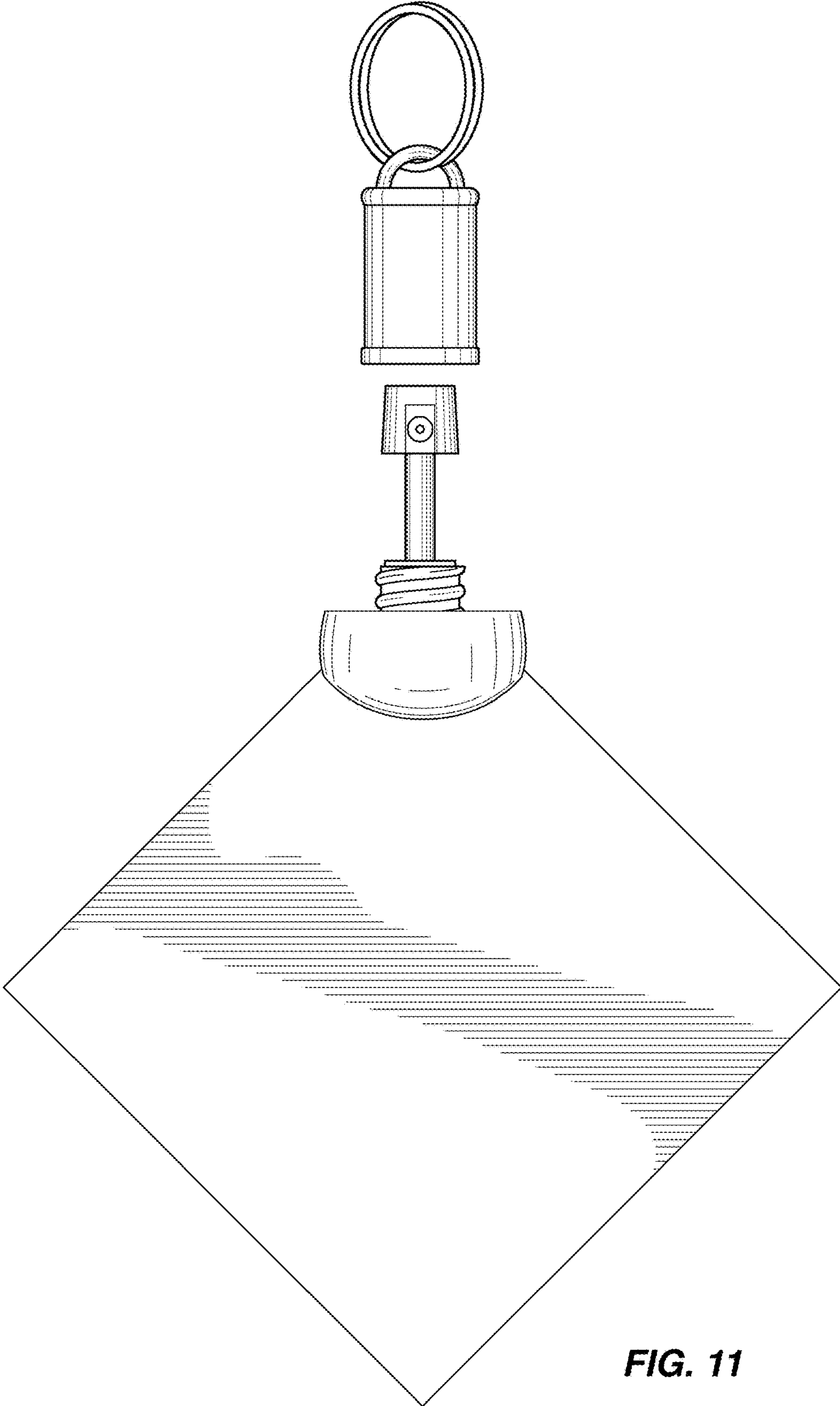


FIG. 11