



US00D837507S

(12) **United States Design Patent**  
**Shelton**

(10) **Patent No.:** **US D837,507 S**

(45) **Date of Patent:** **\*\* Jan. 8, 2019**

(54) **COMBINATION KEY RING AND FRAGRANCE DISPENSER**  
(71) Applicant: **Nicole Shelton**, Astoria, NY (US)  
(72) Inventor: **Nicole Shelton**, Astoria, NY (US)

(\*\*) Term: **15 Years**

(21) Appl. No.: **29/626,501**

(22) Filed: **Nov. 17, 2017**

(51) **LOC (11) Cl.** ..... **03-01**

(52) **U.S. Cl.**  
USPC ..... **D3/208; D9/545**

(58) **Field of Classification Search**  
USPC ..... D3/207–212; 70/456 B, 457, 458, 408,  
70/456 R; D13/168; D8/347; D10/104;  
D14/496; 206/37.1; D21/604, 605, 656,  
D21/658, 659; 24/3.6; D11/11, 79, 81,  
D11/82, 87; D9/629, 682, 685, 689, 692,  
D9/693, 694, 688, 521, 532, 535, 544,  
D9/545, 564, 566, 573  
CPC ..... H04B 1/034; F04B 15/00; E05B 19/04;  
A44B 15/00; A44B 15/002; A44B  
15/005; A44B 15/007  
See application file for complete search history.

(56) **References Cited**

**U.S. PATENT DOCUMENTS**

D99,648 S \* 5/1936 Mulhens ..... D9/545  
D379,117 S \* 5/1997 Ortiz ..... D3/20  
D390,118 S \* 2/1998 Hanna ..... D9/545

D407,320 S \* 3/1999 Costen ..... D9/544  
D622,154 S \* 8/2010 Vishab ..... D9/454  
D692,796 S \* 11/2013 Medsker ..... D11/221  
D729,626 S \* 5/2015 Hall ..... D9/519  
D780,436 S \* 3/2017 Fraser ..... D3/207  
D797,564 S \* 9/2017 Penn ..... D9/454  
D804,316 S \* 12/2017 Hainaut ..... D9/544

\* cited by examiner

*Primary Examiner* — Ralf Seifert

(74) *Attorney, Agent, or Firm* — Matthew M. Googe;  
Robinson IP Law, PLLC

(57) **CLAIM**

The ornamental design for a combination key ring and fragrance dispenser, as shown and described.

**DESCRIPTION**

FIG. 1 is a front, left perspective view of the combination key ring and fragrance dispenser showing my new design; FIG. 2 is a front elevational view thereof; FIG. 3 is a left side elevational view thereof, the right side being a mirror image thereof; FIG. 4 is a top view thereof; FIG. 5 is a bottom view thereof; and, FIG. 6 is a front view of the combination key ring and fragrance dispenser in an open configuration with the cap removed.

The thin solid lines in the views have been provided for the purpose of illustrating the uniformity of the planar surfaces and the contour of the curved surfaces and are not a claimed surface pattern.

**1 Claim, 5 Drawing Sheets**

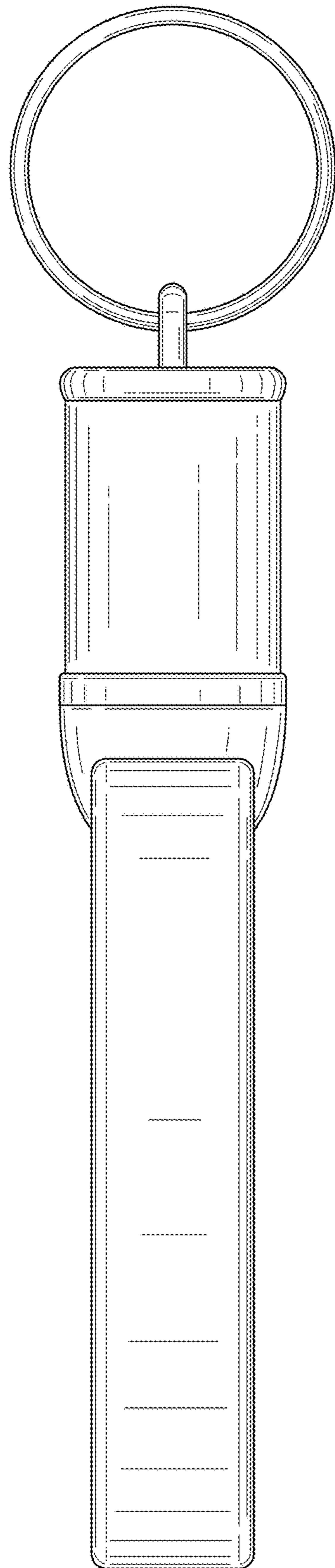




**FIG. 1**



**FIG. 2**



**FIG. 3**

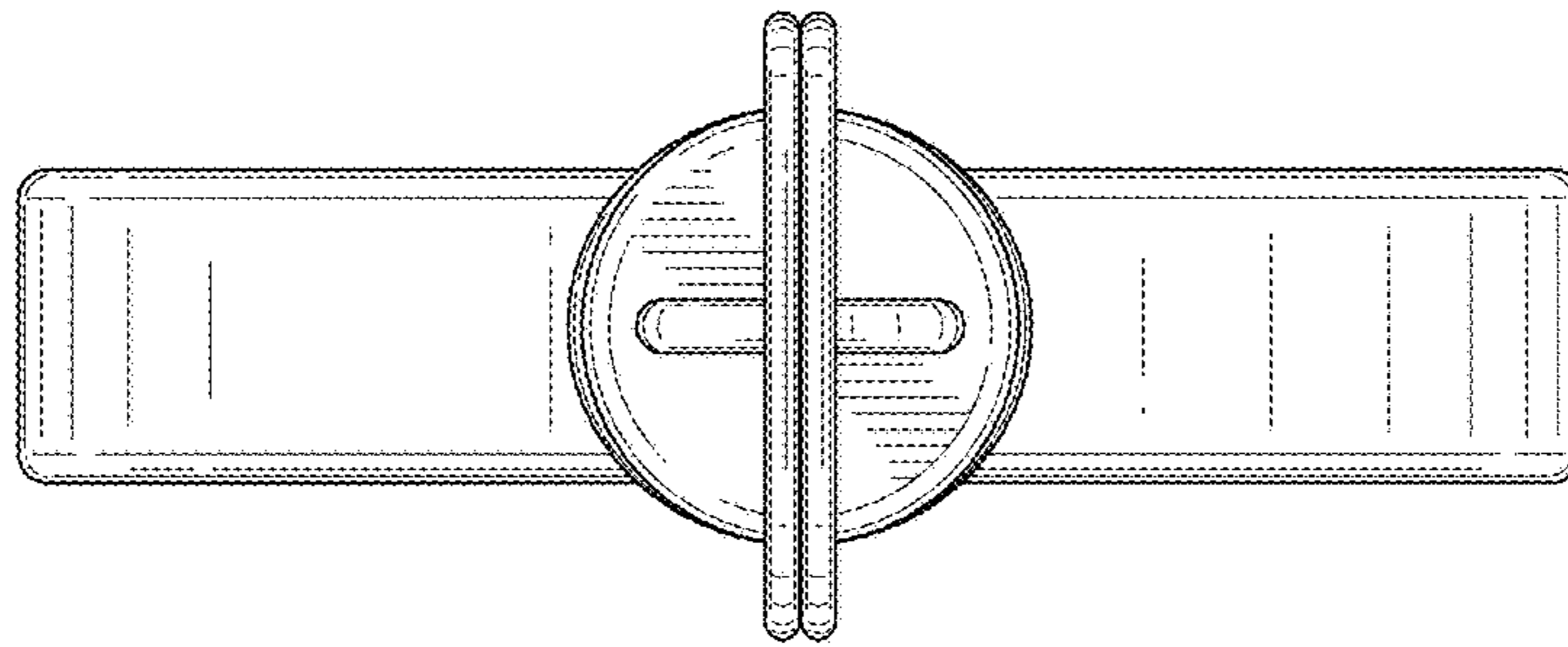


FIG. 4

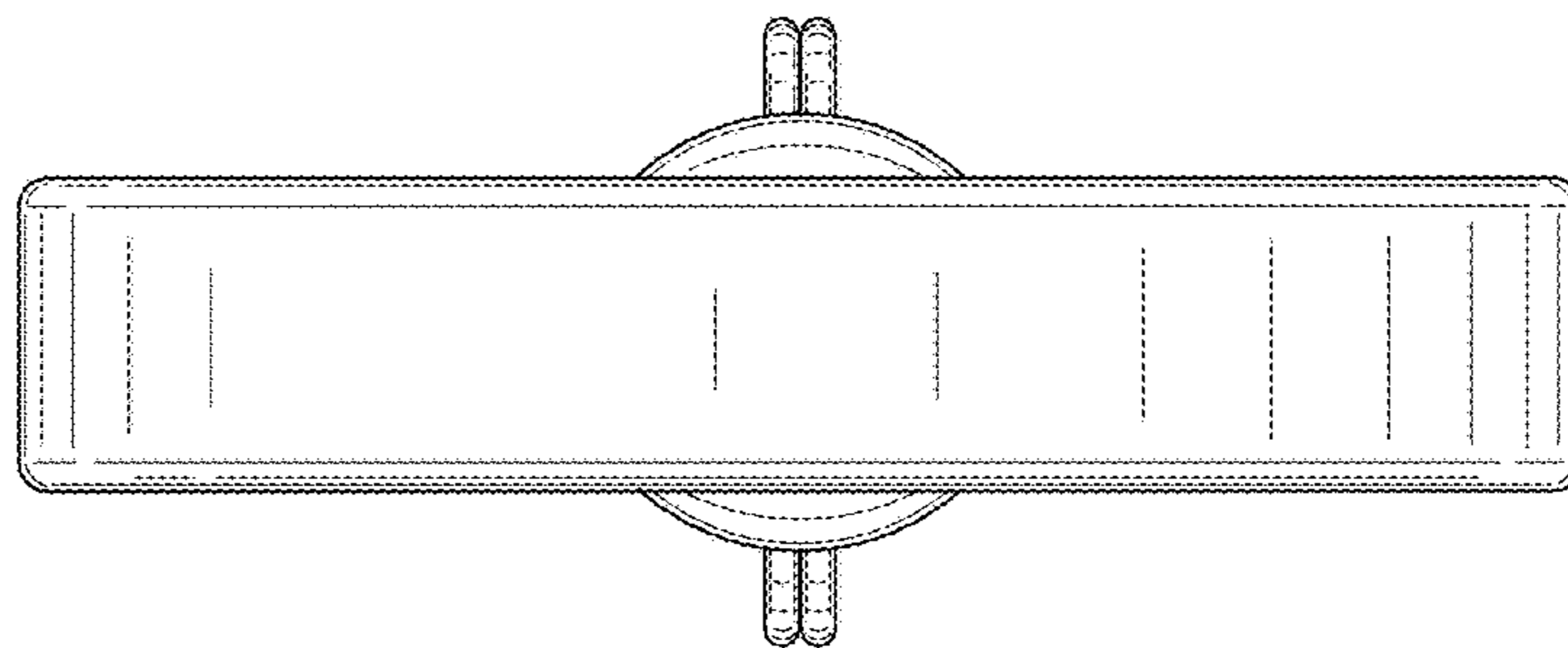
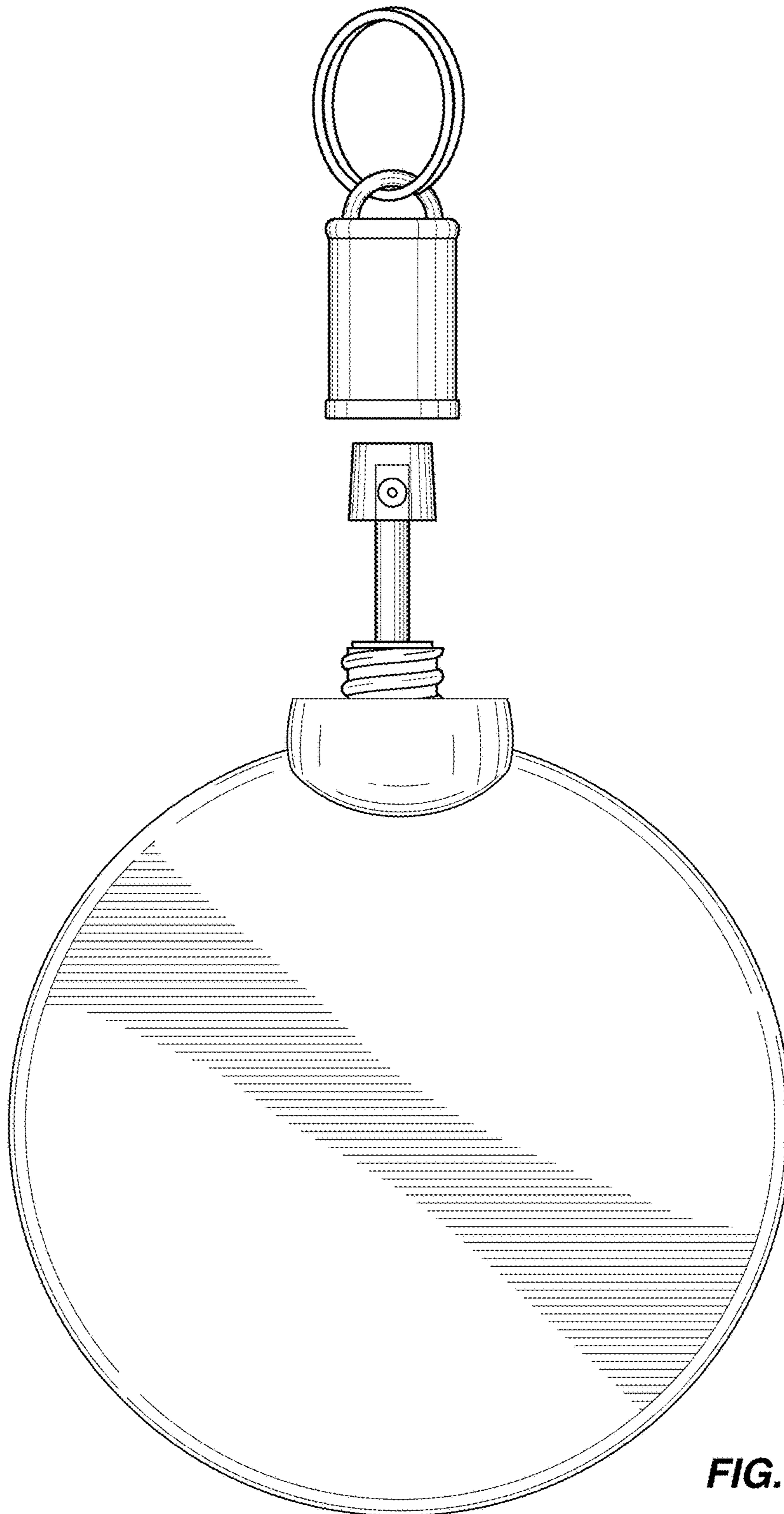


FIG. 5



**FIG. 6**