



US00D837493S

(12) **United States Design Patent**
Hageman

(10) **Patent No.:** **US D837,493 S**
(45) **Date of Patent:** **** Jan. 8, 2019**

- (54) **CAP CLOSING MECHANISM**
- (71) Applicant: **Jay Hageman**, Cameron Park, CA (US)
- (72) Inventor: **Jay Hageman**, Cameron Park, CA (US)
- (**) Term: **15 Years**
- (21) Appl. No.: **29/599,730**
- (22) Filed: **Apr. 6, 2017**
- (51) **LOC (11) Cl.** **02-03**
- (52) **U.S. Cl.**
USPC **D2/891; D2/884**
- (58) **Field of Classification Search**
USPC D2/865, 866, 867, 874, 876, 877, 878,
D2/879, 880, 881, 882, 884
CPC A42B 1/00; A42B 1/22; A42B 7/00; A42B
1/006; A42B 1/02
See application file for complete search history.

(56) **References Cited**

U.S. PATENT DOCUMENTS

2,685,091	A *	8/1954	Thill	A42B 1/045 2/204
2,864,383	A *	12/1958	Jacks	A45D 8/34 132/273
D349,183	S *	8/1994	Harbison	D2/870
D350,221	S *	9/1994	Van Doren	D2/866
D365,917	S *	1/1996	Armstrong	D2/865
D380,887	S *	7/1997	Durodola	D2/865
D406,687	S *	3/1999	Thorpe	D2/865
6,421,838	B1 *	7/2002	Frank	A42B 1/225 2/174
D504,994	S *	5/2005	Kim	D2/881
D517,284	S *	3/2006	Black	D2/867

D546,031	S *	7/2007	Pearson	D2/875
D713,622	S *	9/2014	Steel	D2/866
D734,002	S *	7/2015	Dorsey	D2/884

* cited by examiner

Primary Examiner — Karen S Acker
Assistant Examiner — Jasmine Mlinarcik
(74) *Attorney, Agent, or Firm* — Dunlap Bennett & Ludwig PLLC

(57) **CLAIM**

The ornamental design for a cap closing mechanism, as shown and described.

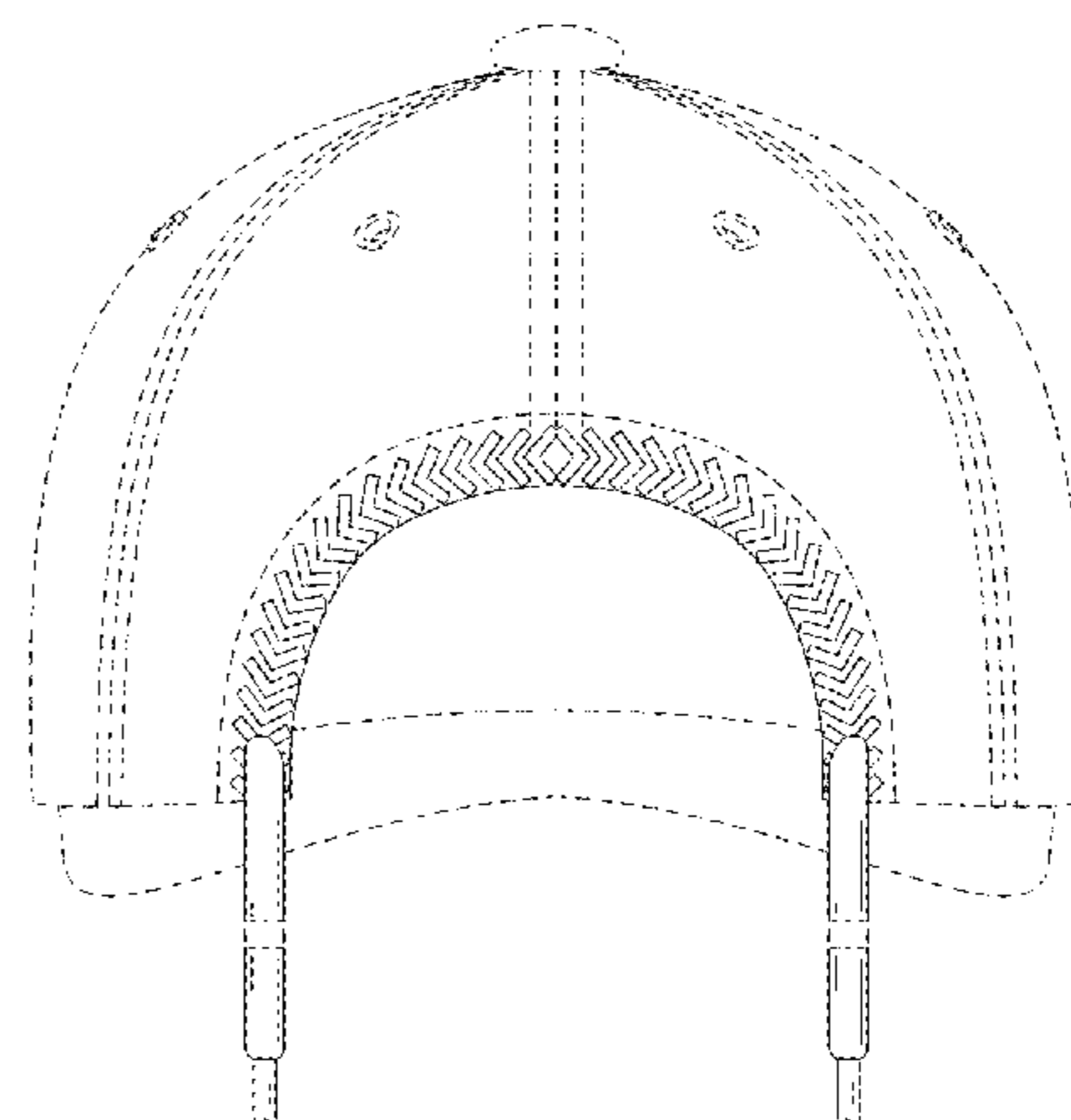
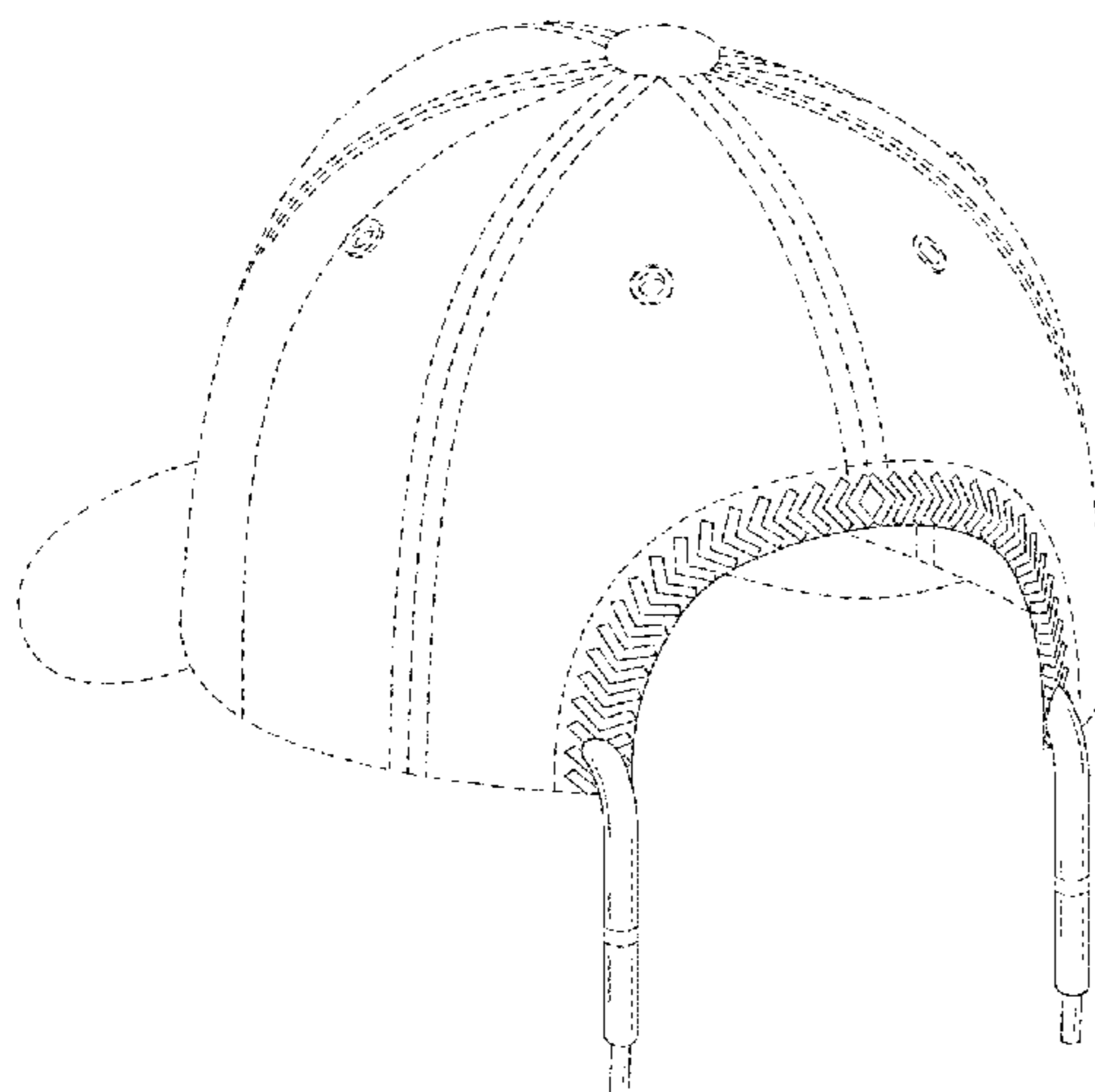
DESCRIPTION

FIG. 1 is a perspective view of a cap closing mechanism; FIG. 2 is a front elevation view thereof; FIG. 3 is a right side elevation view thereof, the left side view being a mirror image thereof; FIG. 4 is a rear elevation view thereof; FIG. 5 is a bottom plan view thereof; and, FIG. 6 is a top plan view thereof.

The broken lines showing a baseball cap depict environmental subject matter that forms no part of the claimed design.

The strings are shown with symbolic breaks in their lengths. The appearance of any portion of the article between the break lines forms no part of the claimed design. The areas adjacent to the solid line angled elements are portions of the cap closing mechanism that form no part of the claimed design.

1 Claim, 3 Drawing Sheets



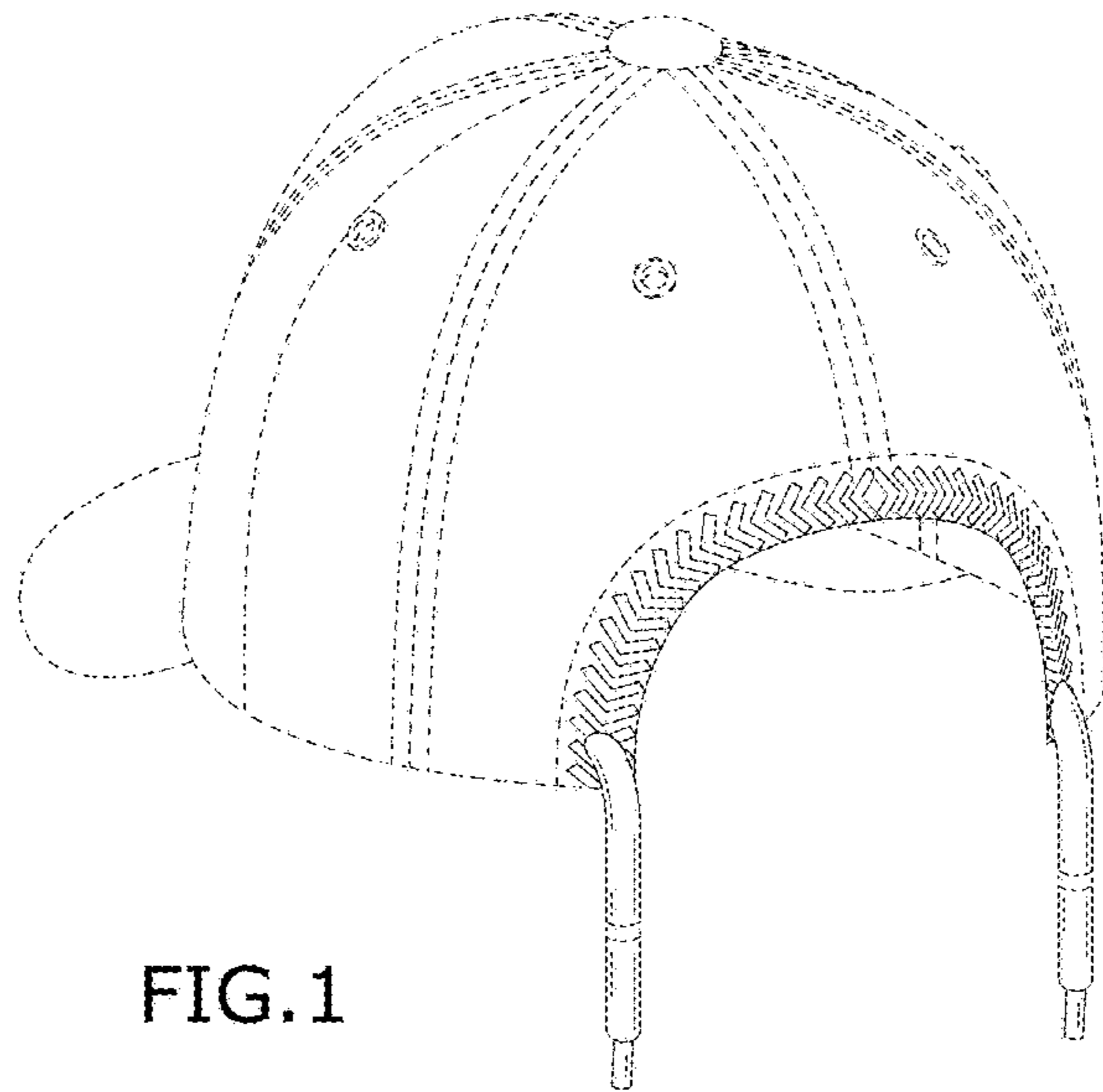


FIG. 1

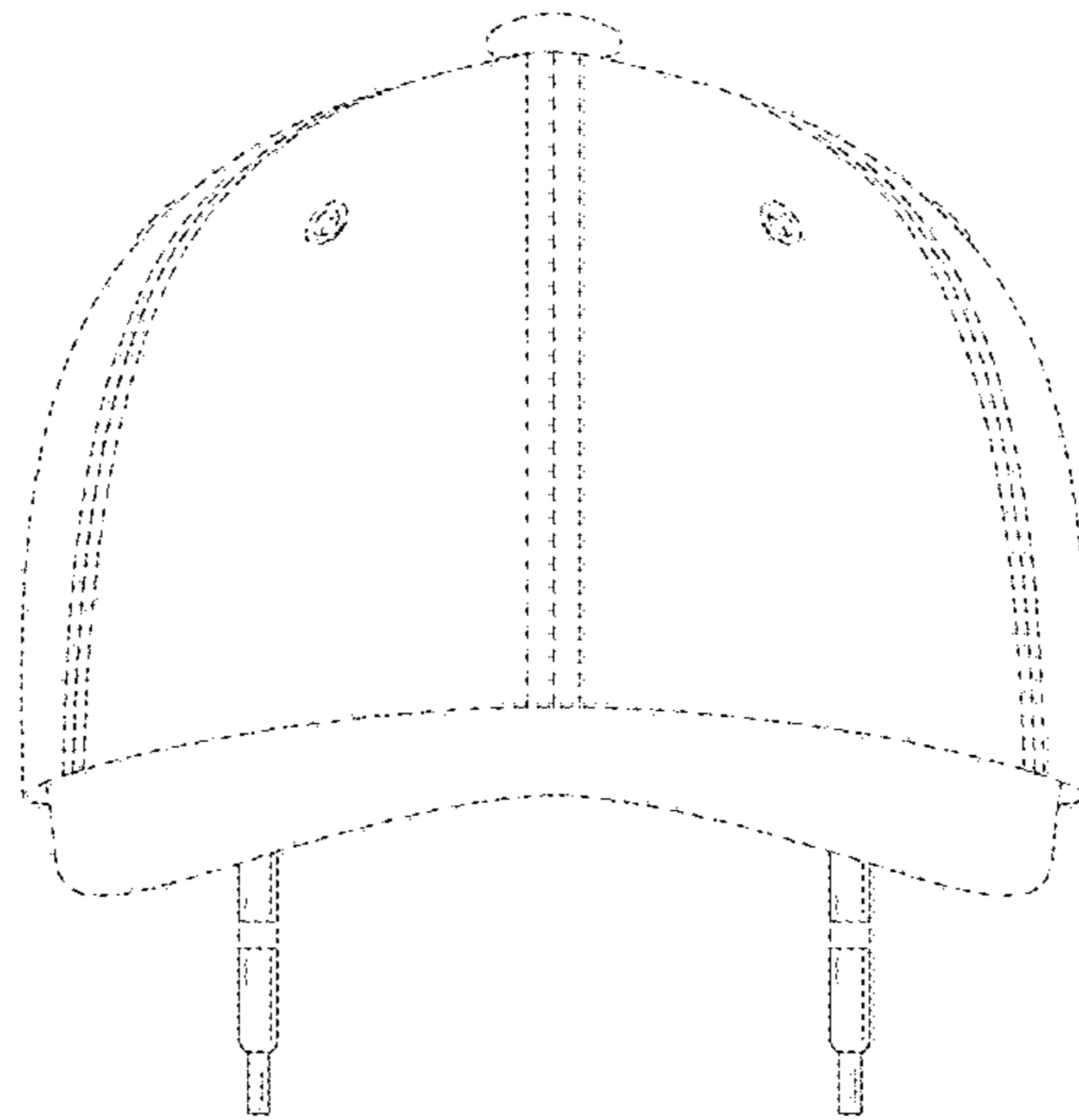


FIG. 2

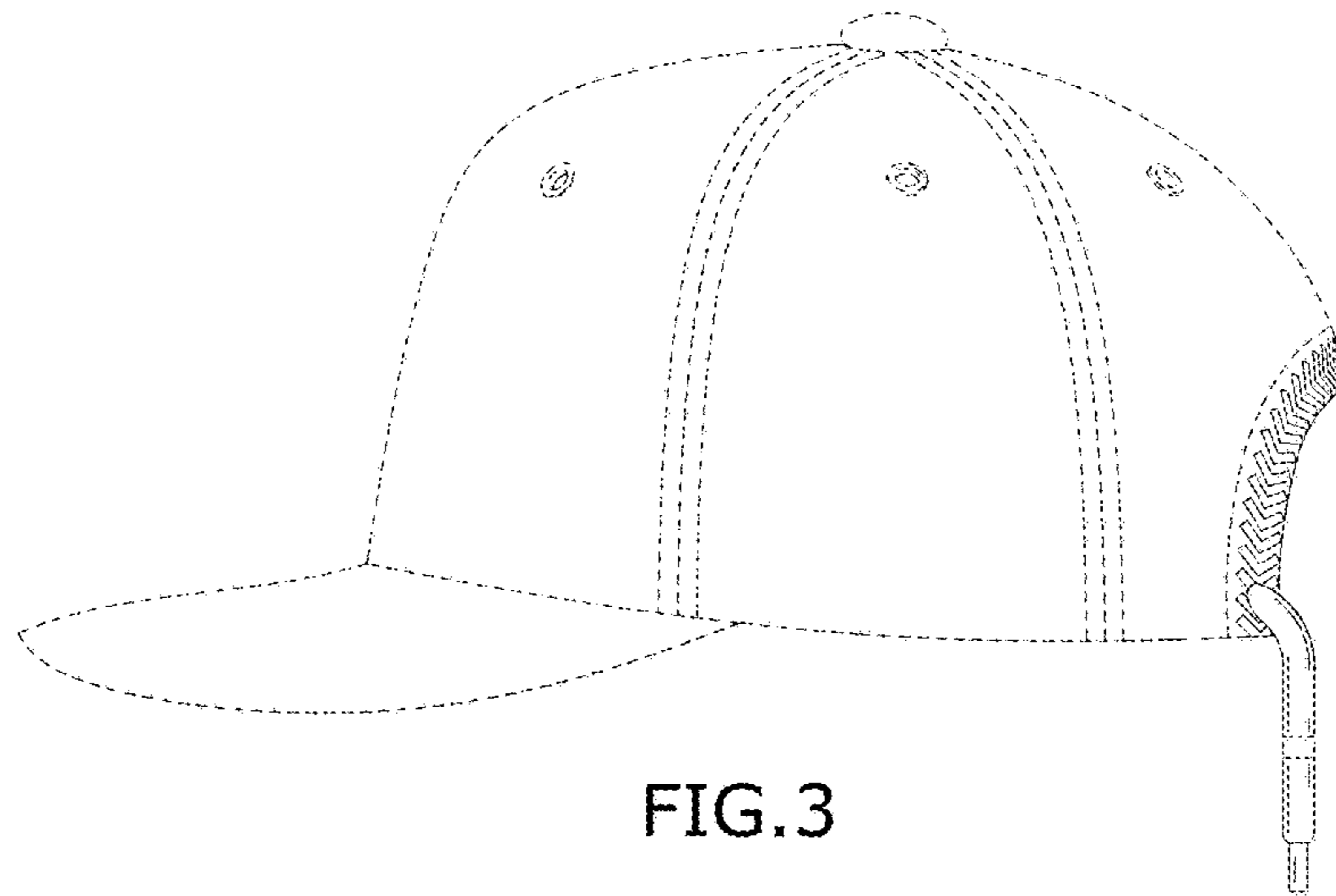


FIG.3

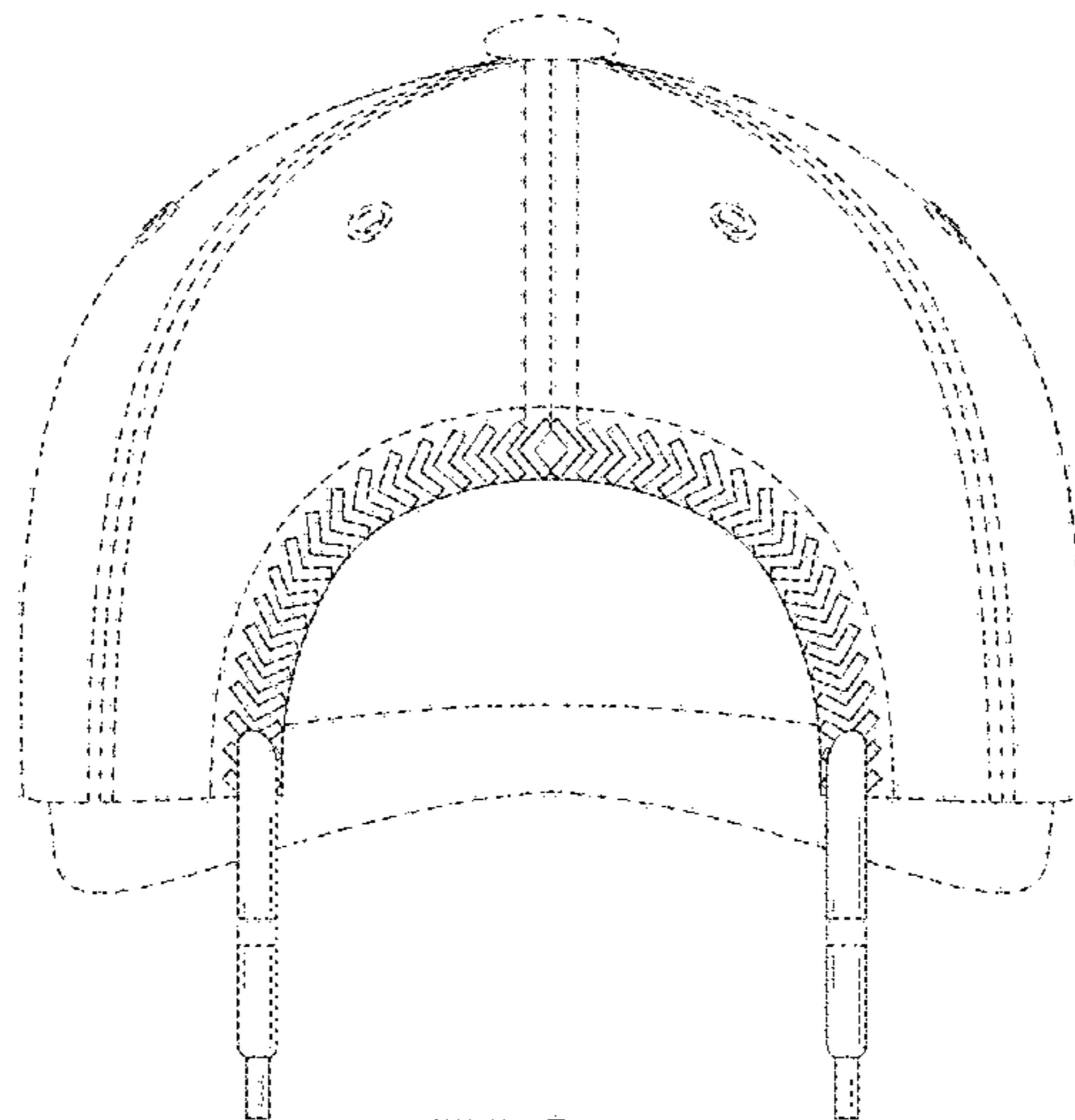


FIG.4

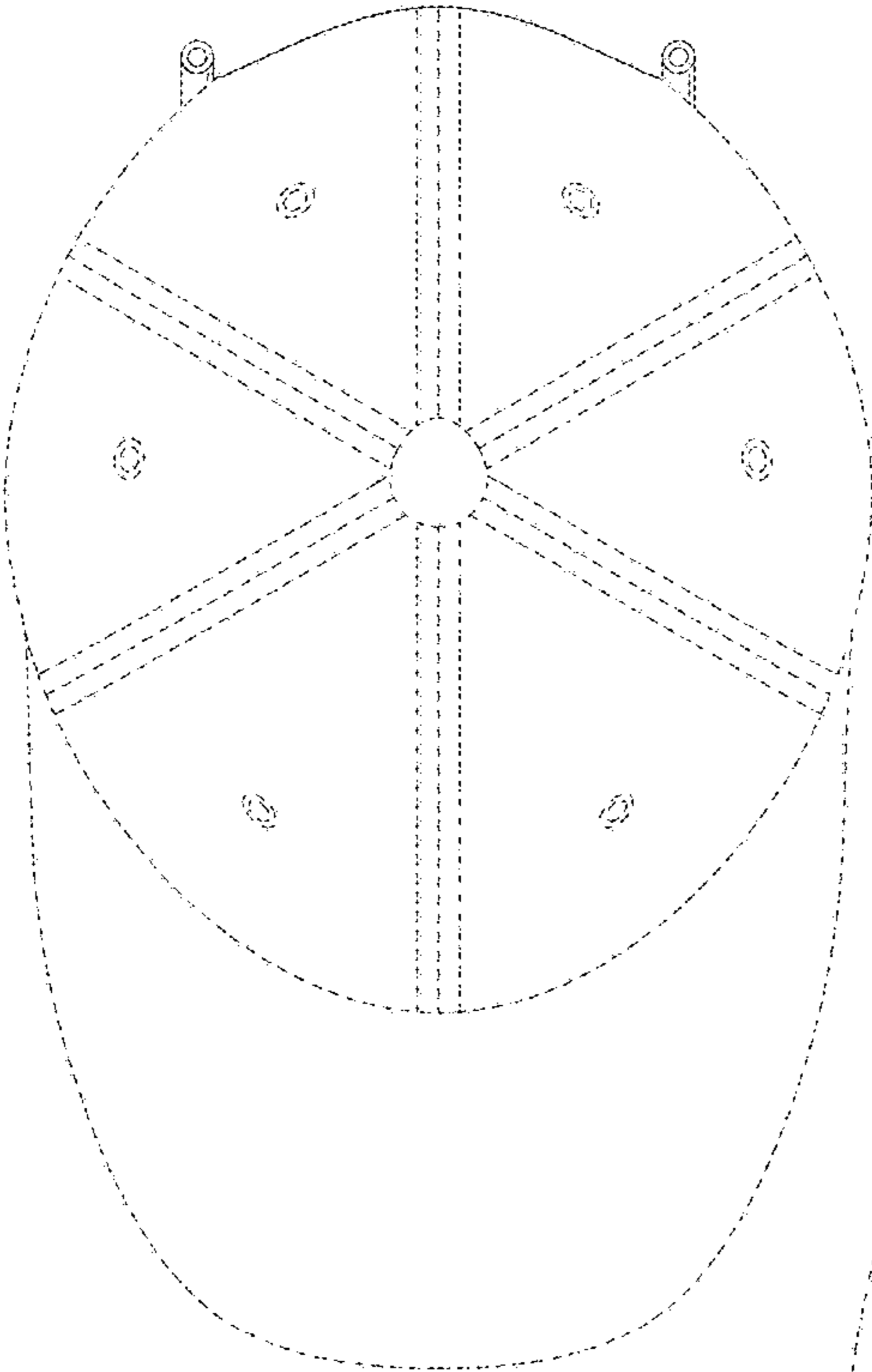


FIG. 5

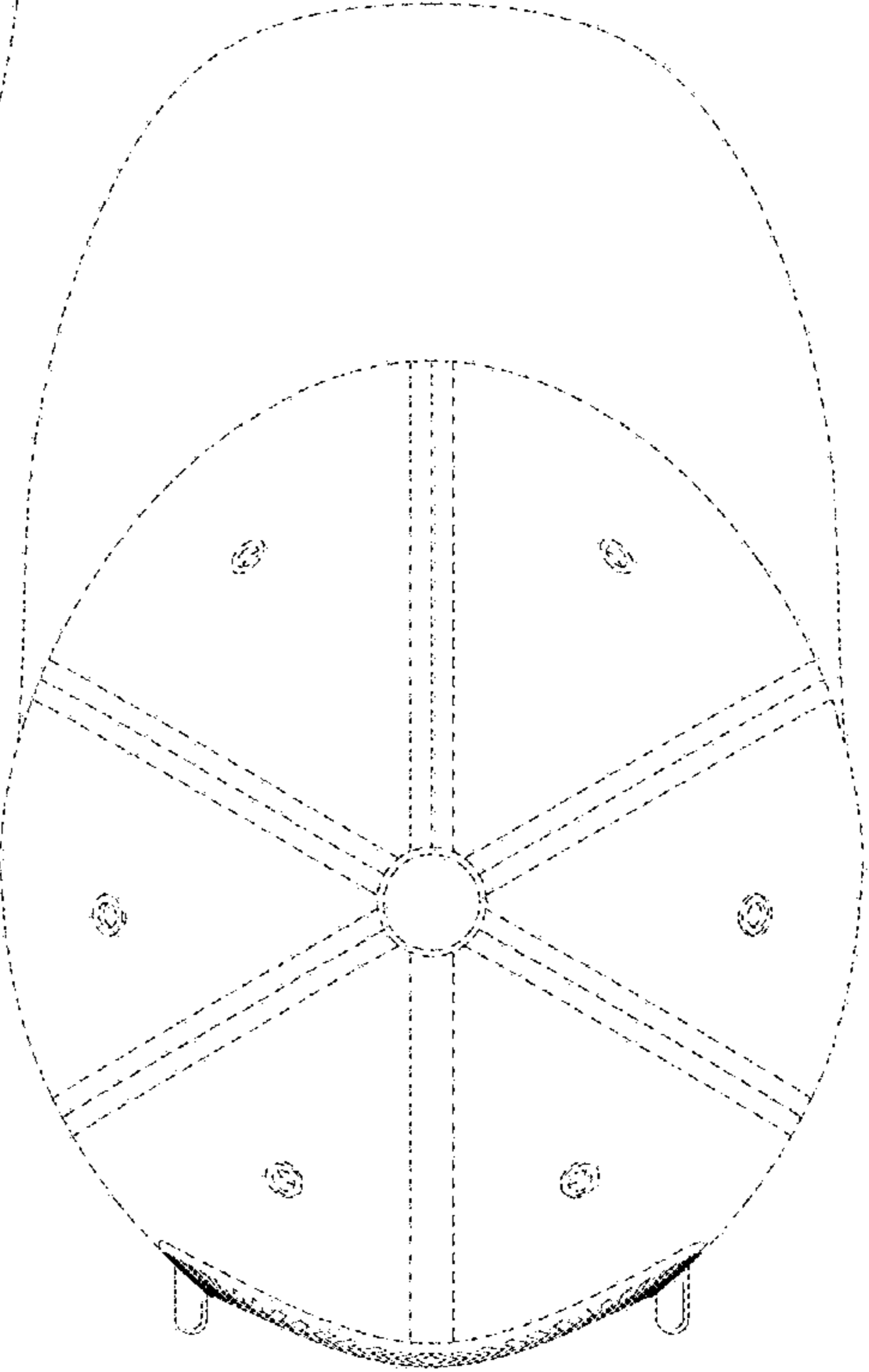


FIG. 6