



US00D837491S

(12) **United States Design Patent**  
**Lacy et al.**

(10) **Patent No.:** **US D837,491 S**  
(45) **Date of Patent:** **\*\* Jan. 8, 2019**

(54) **FIELD CAP**

(71) Applicant: **SUNDAY AFTERNOONS, INC.**,  
Talent, OR (US)

(72) Inventors: **Robbin Lacy**, Talent, OR (US); **Russell Hodgdon**, Talent, OR (US); **Gulnara Iskhakova**, Talent, OR (US)

(73) Assignee: **Sunday Afternoons, Inc.**, Talent, OR (US)

(\*\*) Term: **15 Years**

(21) Appl. No.: **29/604,111**

(22) Filed: **May 15, 2017**

**Related U.S. Application Data**

(60) Continuation of application No. 29/572,293, filed on Jul. 26, 2016, now Pat. No. Des. 787,786, which is a division of application No. 29/497,489, filed on Jul. 24, 2014, now Pat. No. Des. 764,150.

(51) **LOC (11) Cl.** ..... **02-03**

(52) **U.S. Cl.**  
USPC ..... **D2/882**

(58) **Field of Classification Search**

USPC ..... D2/865, 866, 872, 873, 875, 876, 879, D2/882, 884, 886, 890  
CPC .... A42B 1/00; A42B 1/02; A42B 1/04; A42B 1/041; A42B 1/06; A42B 1/061; A42B 1/062; A42B 1/18; A42B 1/201; A42B 1/206; A42B 1/22; A42B 1/225; A42B 1/242; A42B 1/247; A42B 1/248

See application file for complete search history.

(56) **References Cited**

**U.S. PATENT DOCUMENTS**

D135,146 S \* 3/1943 Maxwell et al. .... D2/882  
D178,682 S \* 9/1956 Lipschutz ..... D2/882

D186,868 S \* 12/1959 De Grazia ..... D2/882  
D289,700 S \* 5/1987 Burns ..... D2/884  
D384,489 S \* 10/1997 Ethier ..... D2/866  
D388,240 S \* 12/1997 Martz ..... D2/884  
5,845,338 A \* 12/1998 Clark ..... A42B 1/206  
2/171.1  
D423,196 S \* 4/2000 White ..... D2/882  
6,167,569 B1 \* 1/2001 Conner, IV ..... A42B 1/006  
2/195.1  
6,446,266 B1 \* 9/2002 Park ..... A42B 1/22  
2/175.1  
D491,714 S \* 6/2004 Upcott ..... D2/875  
D603,586 S \* 11/2009 Miller ..... D2/882  
D614,380 S \* 4/2010 Lam ..... D2/882  
D616,633 S \* 6/2010 Lacy ..... D2/882  
D636,976 S \* 5/2011 McIntosh ..... D2/882  
D672,119 S \* 12/2012 Mayleben ..... D2/882  
D678,663 S \* 3/2013 Gill ..... D2/882

(Continued)

*Primary Examiner* — Karen S Acker

*Assistant Examiner* — Jasmine Mlinarcik

(74) *Attorney, Agent, or Firm* — McCoy Russell LLP

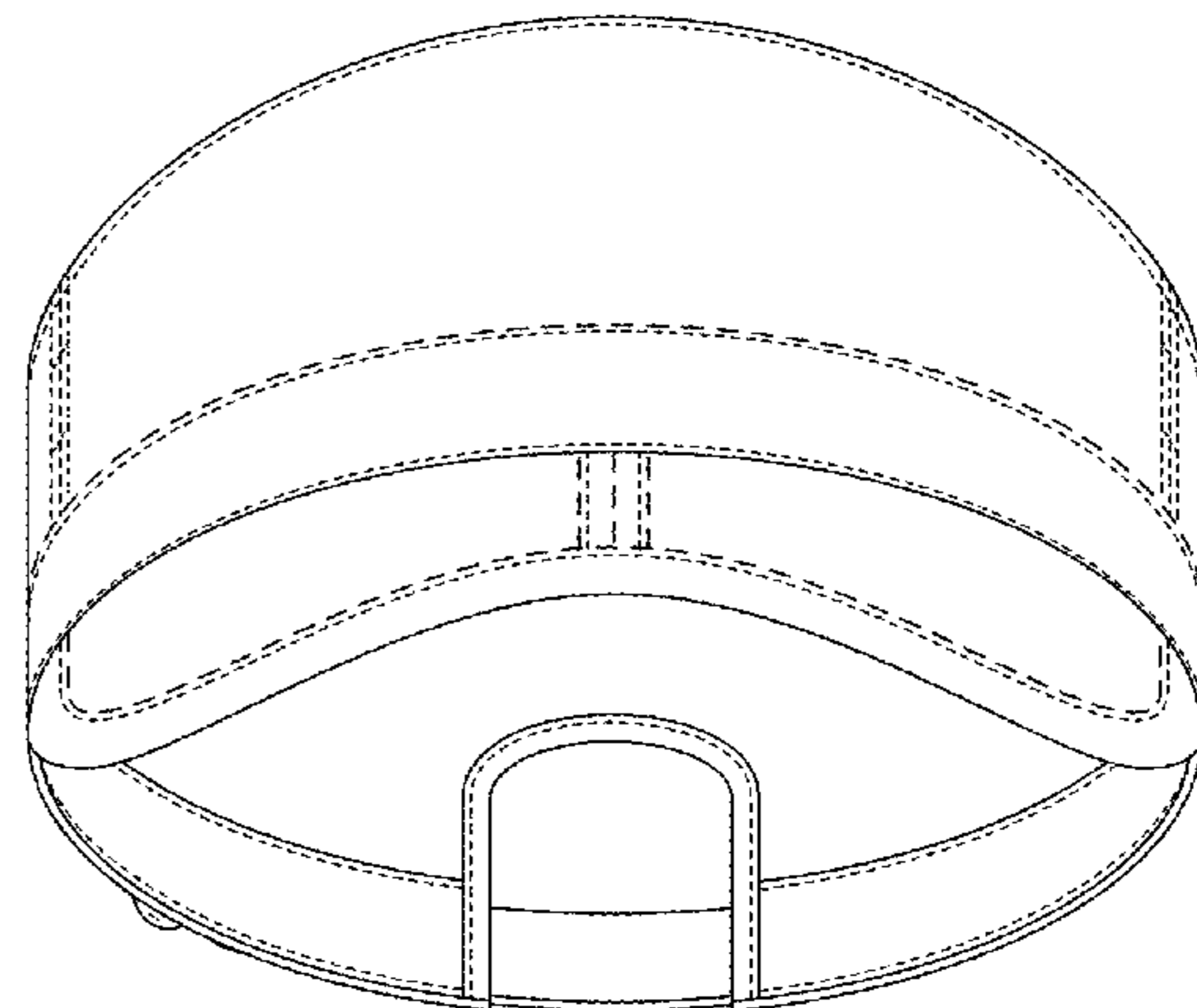
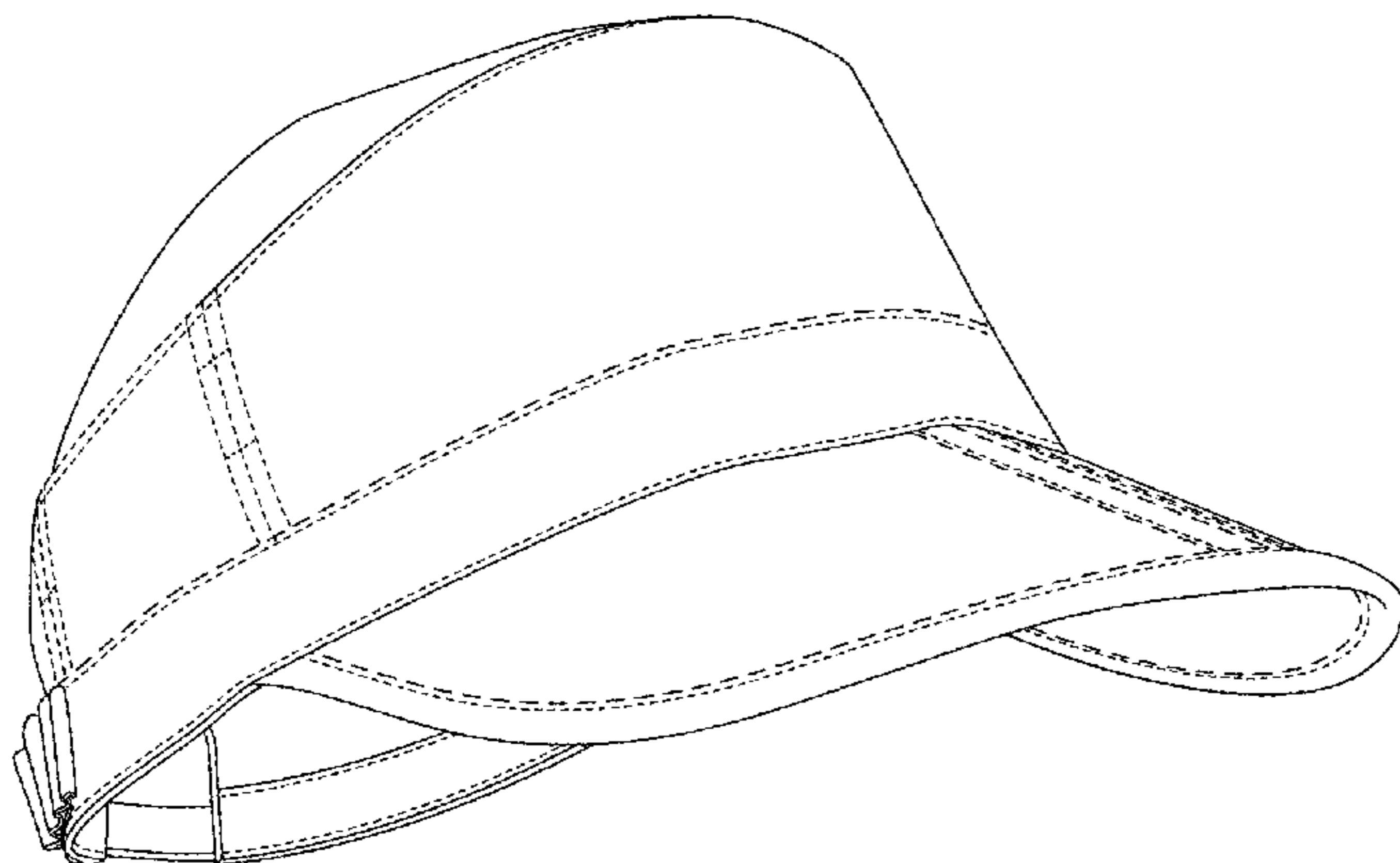
(57) **CLAIM**

The ornamental design for a field cap, as shown and described.

**DESCRIPTION**

FIG. 1 is a front-right perspective view of a design for a field cap according to the present invention.  
FIG. 2 is a top plan view thereof  
FIG. 3 is a front elevation view thereof.  
FIG. 4 is a rear elevation view thereof.  
FIG. 5 is a rear-right perspective view thereof.  
FIG. 6 is right side elevation view thereof.  
FIG. 7 is a left side elevation view thereof; and,  
FIG. 8 is a bottom plan view thereof.  
The broken lines in FIGS. 1-8 illustrate environmental stitching and form no part of the claimed design.

**1 Claim, 8 Drawing Sheets**



(56)

**References Cited**

U.S. PATENT DOCUMENTS

D691,349 S *	10/2013	Pearson .....	D2/882
D718,021 S *	11/2014	Werczberger .....	D2/882
D723,249 S *	3/2015	Azam .....	D2/882
D764,150 S *	8/2016	Lacy .....	D2/882
D787,786 S *	5/2017	Lacy .....	D2/882
D794,283 S *	8/2017	Lacy .....	D2/882
2016/0021962 A1 *	1/2016	Lacy .....	A42B 1/201 2/181

\* cited by examiner

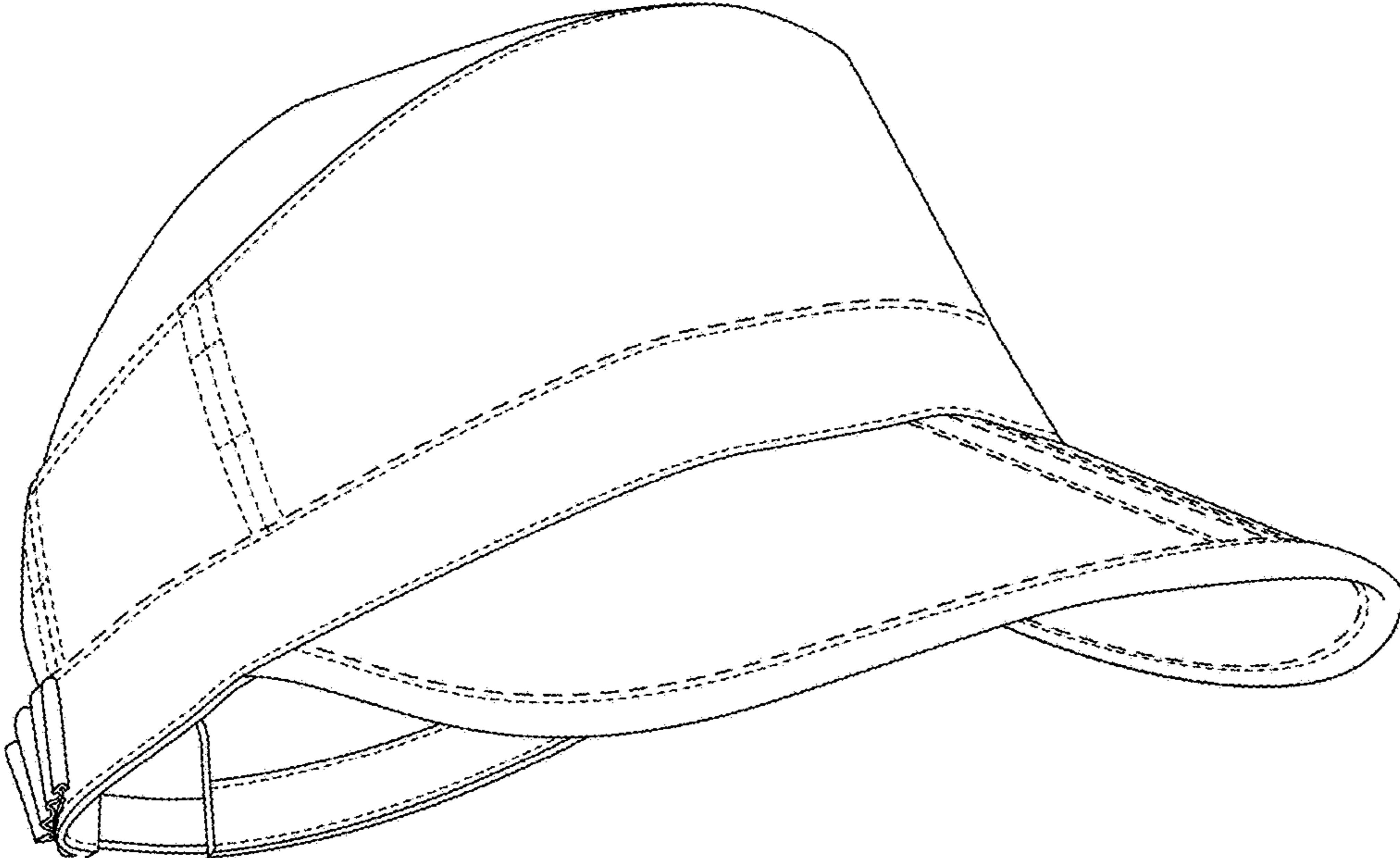


FIG. 1

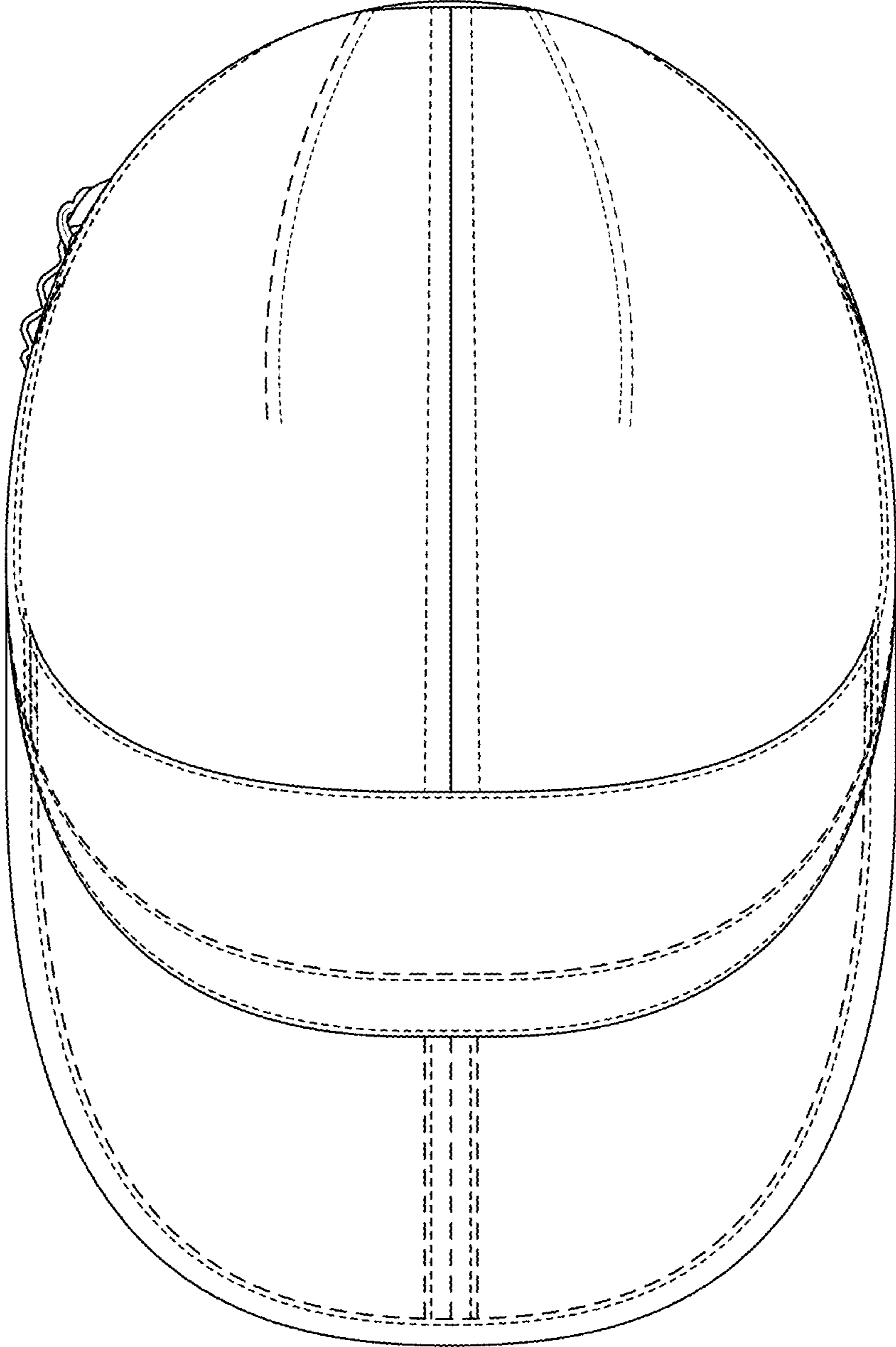


FIG. 2

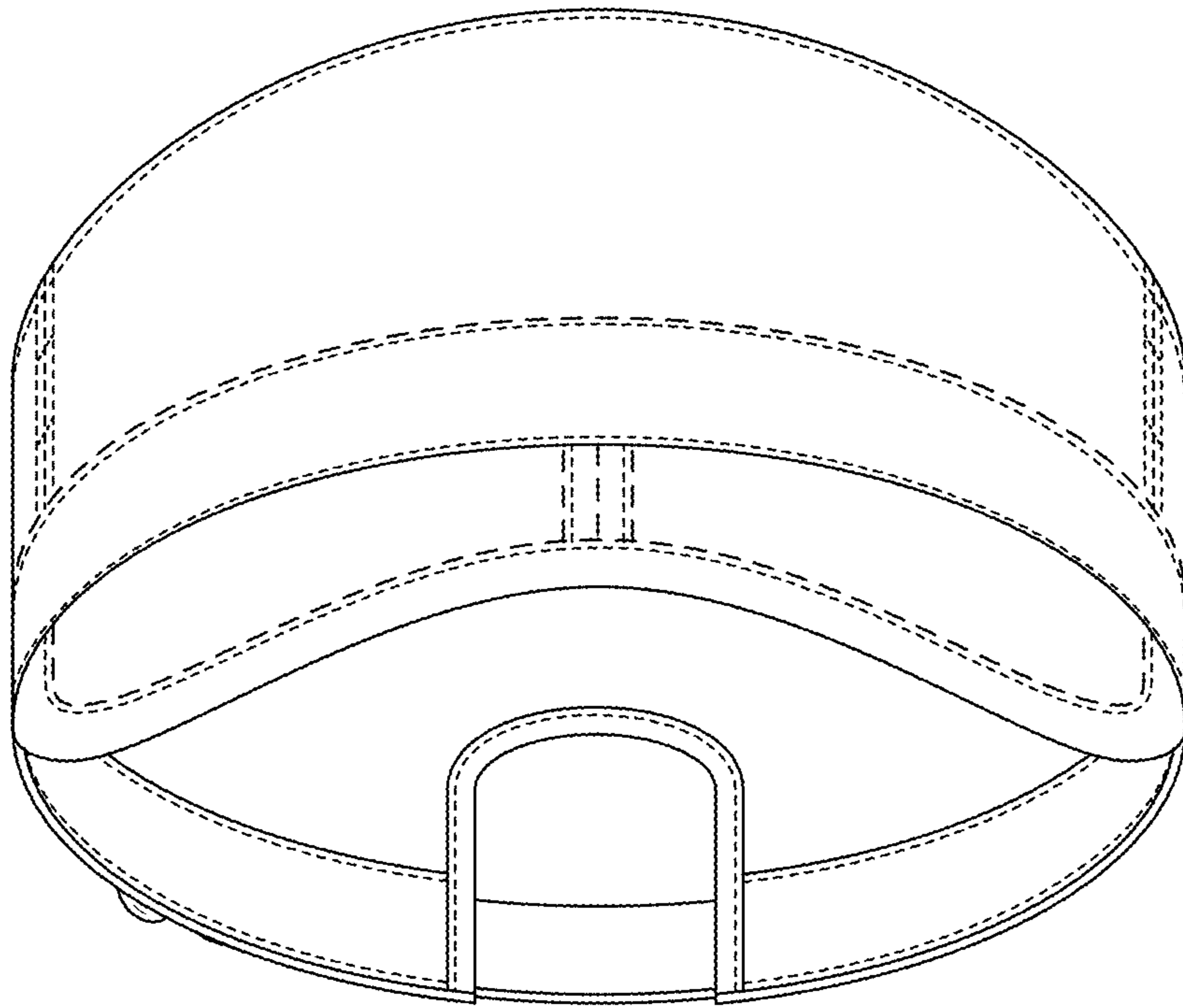


FIG. 3

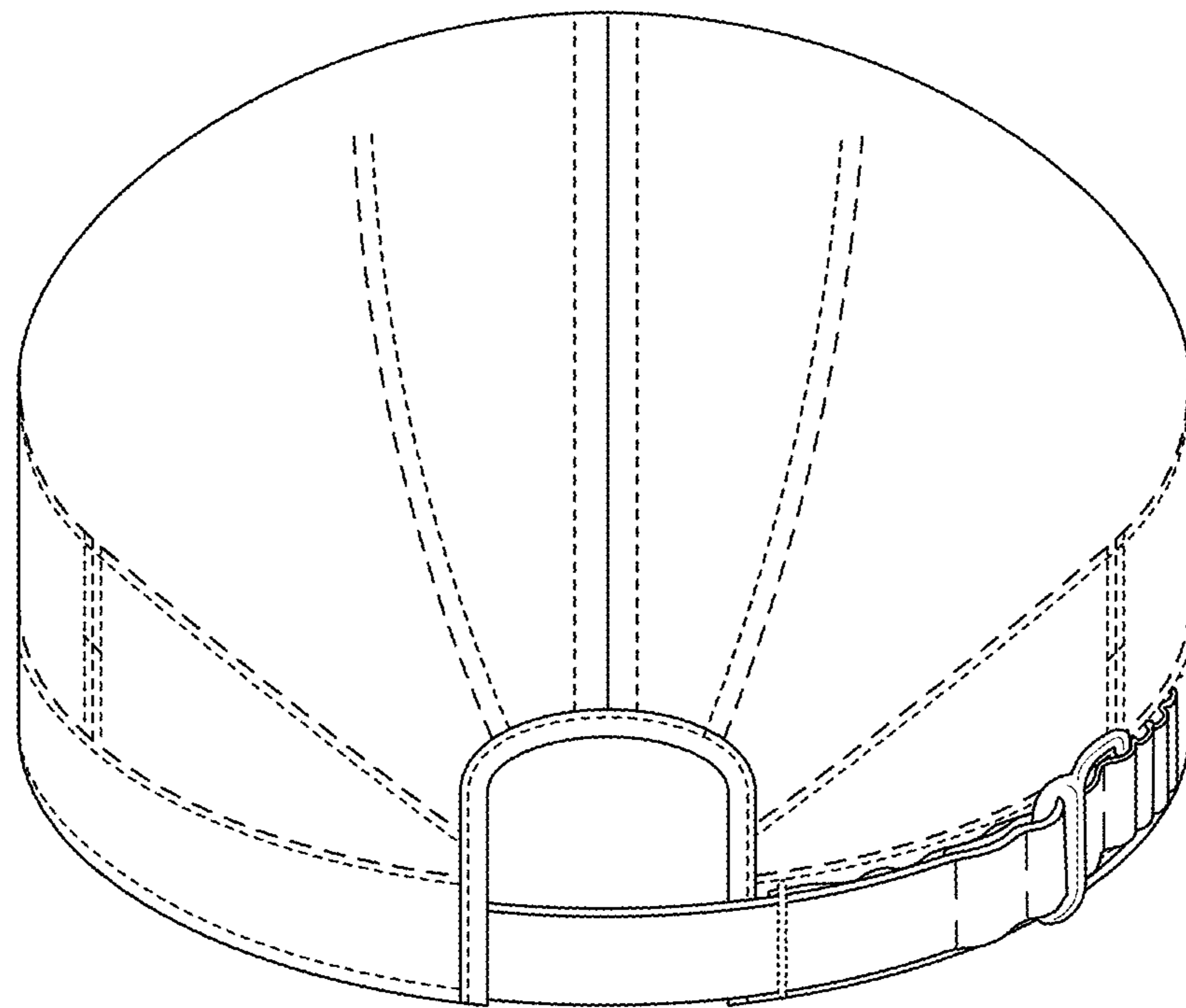


FIG. 4

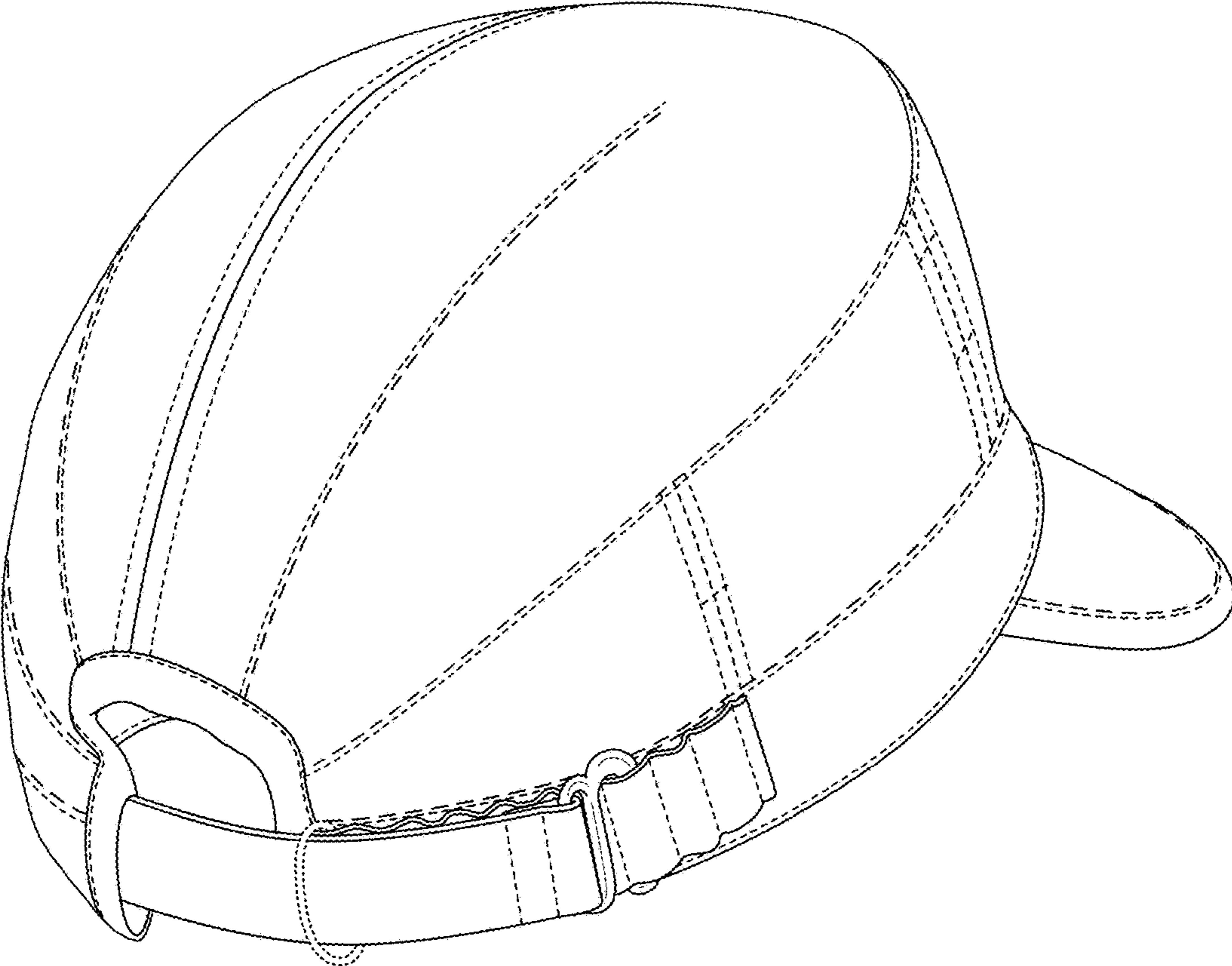


FIG. 5

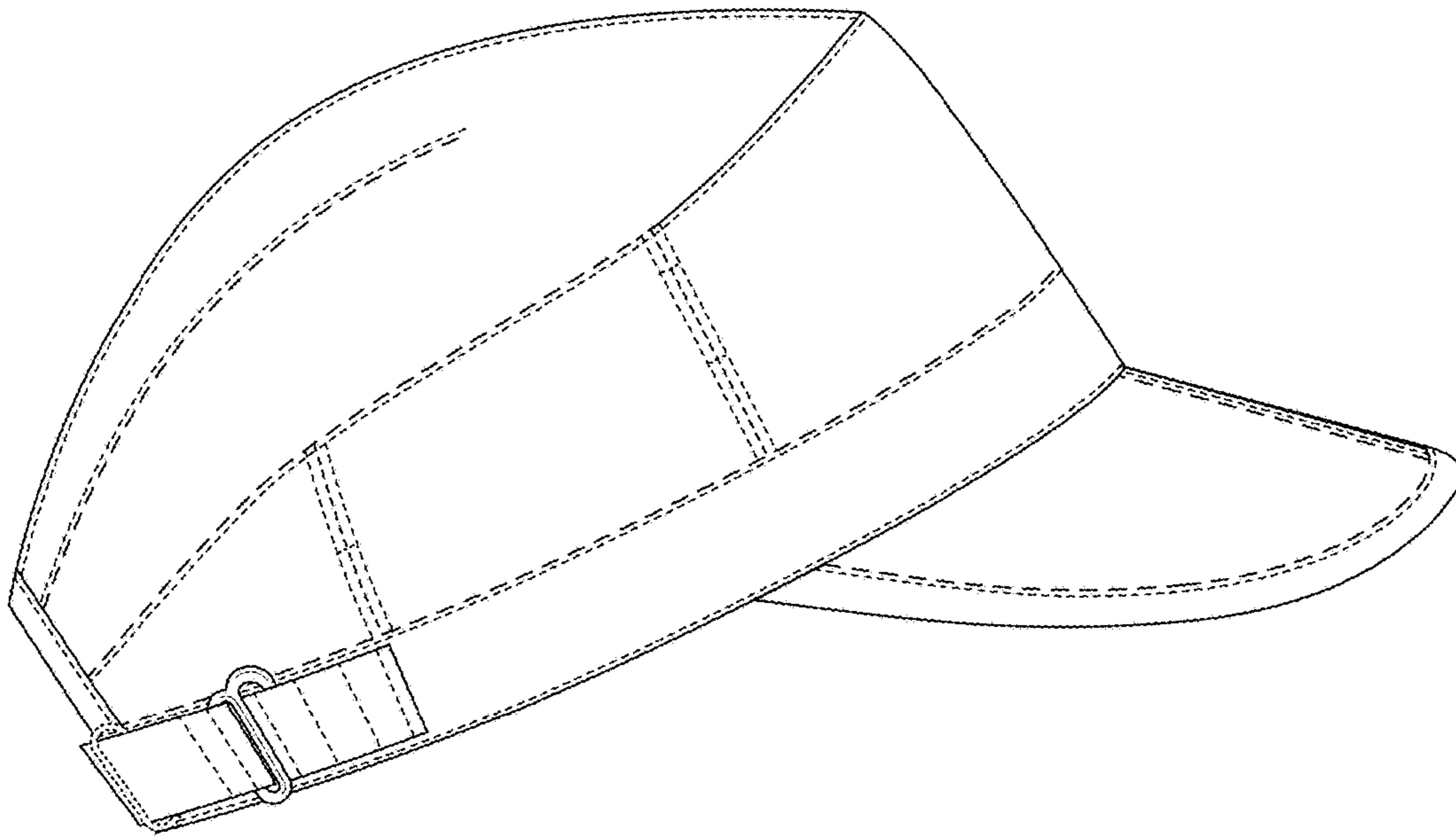


FIG. 6



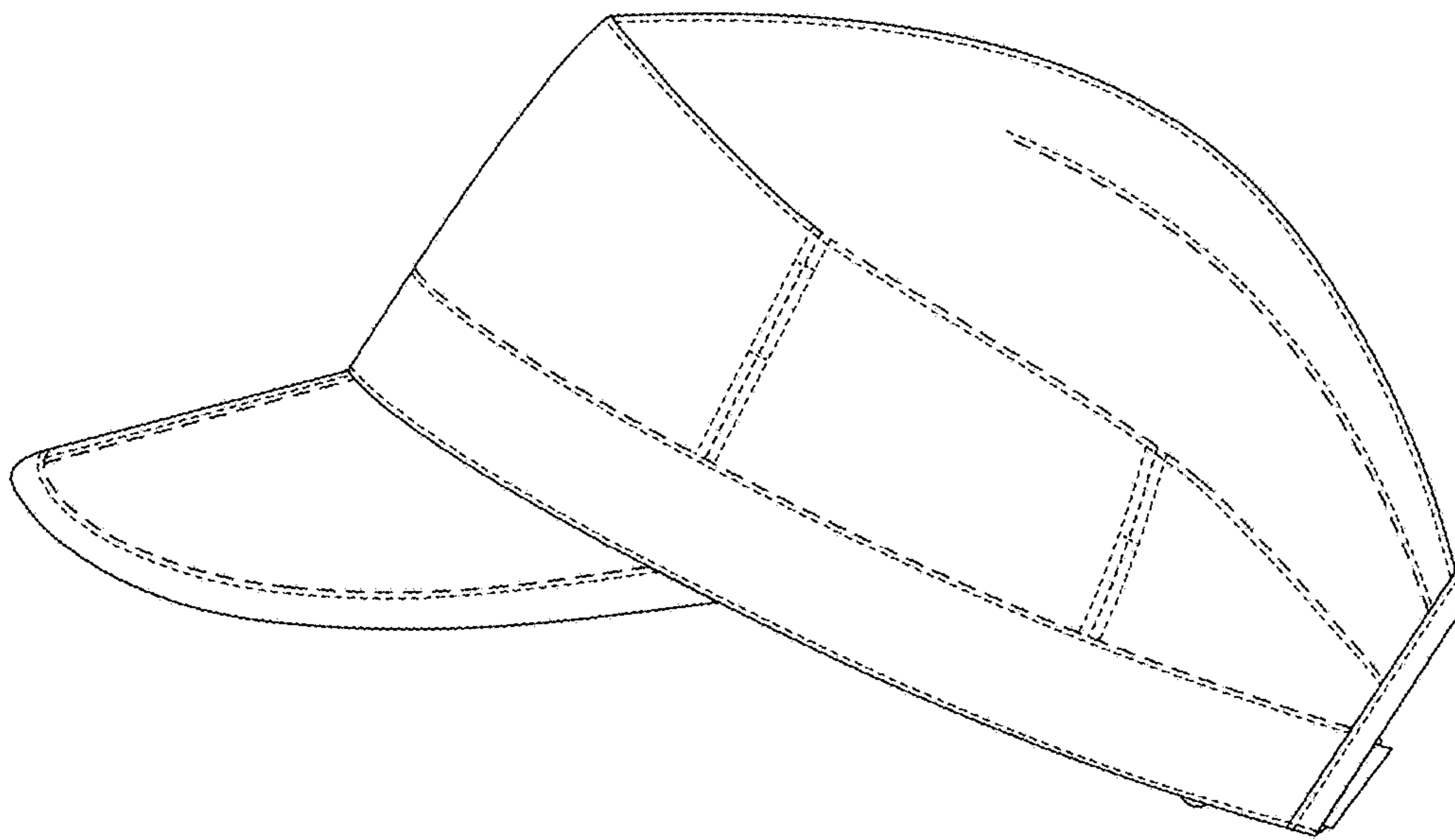


FIG. 7

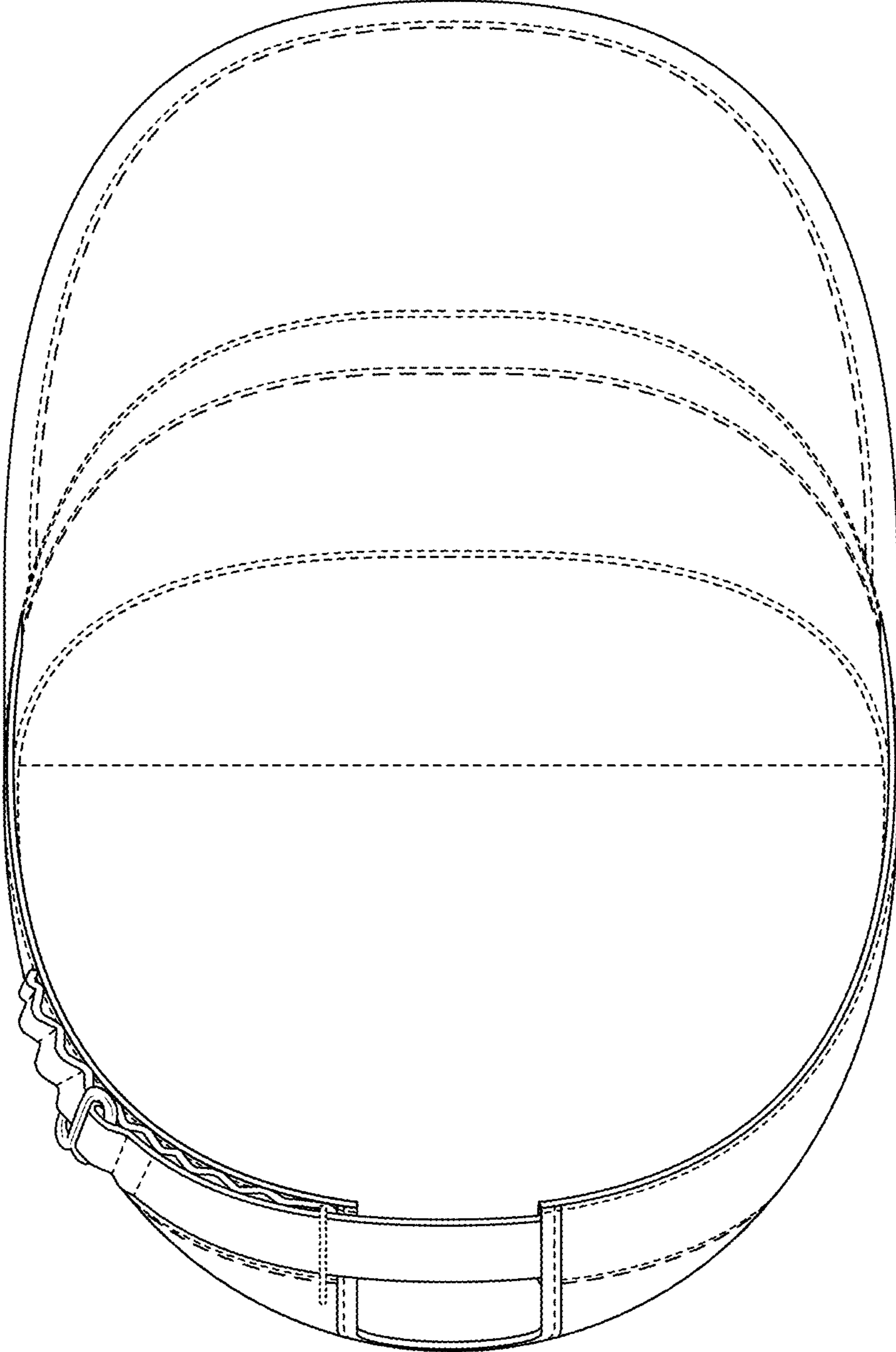


FIG. 8