



US00D837489S

(12) **United States Design Patent**  
**Nesbitt et al.**

(10) **Patent No.:** **US D837,489 S**  
(45) **Date of Patent:** **\*\* Jan. 8, 2019**

(54) **BIB**  
(71) Applicants: **Kammi Nesbitt**, Chesapeake, VA (US);  
**Eddy Wilson**, Chesapeake, VA (US)  
(72) Inventors: **Kammi Nesbitt**, Chesapeake, VA (US);  
**Eddy Wilson**, Chesapeake, VA (US)  
(\*\*) Term: **15 Years**

D206,425 S 12/1966 Faughnder  
3,512,829 A \* 5/1970 Paris ..... A47D 1/008  
297/148  
3,693,192 A 9/1972 Knotts  
4,811,428 A 3/1989 Waldman  
D331,330 S \* 12/1992 Bennett ..... D6/406.3  
D344,189 S \* 2/1994 Golenz ..... D6/339  
D358,730 S \* 5/1995 Meeker ..... D6/707.16  
5,647,670 A 7/1997 Iscovich  
6,105,165 A 8/2000 Johnson  
7,114,191 B1 \* 10/2006 Butler-Penenberg .....  
A41D 1/205  
2/104  
7,174,571 B1 2/2007 Vonrintein  
7,509,688 B2 \* 3/2009 Gregg ..... A45C 7/0077  
2/46  
7,947,024 B2 5/2011 Ramage  
D754,949 S \* 5/2016 Lu ..... D2/861

(21) Appl. No.: **29/616,228**  
(22) Filed: **Sep. 5, 2017**  
(51) **LOC (11) Cl.** ..... **02-02**  
(52) **U.S. Cl.**  
USPC ..... **D2/861**

(58) **Field of Classification Search**  
USPC ..... D2/500, 614, 717, 728, 731, 739, 741,  
D2/750, 754, 755, 756, 758, 804, 823,  
D2/826, 828, 829, 830, 831, 840, 849,  
D2/853, 860, 861, 862, 863, 864, 999;  
D6/610, 611, 612, 613, 615, 621  
CPC ..... A41B 13/10; A41B 13/106; A41D 1/215;  
A41D 3/08; A41D 11/00; A41D 13/04;  
A41D 13/1236; A41D 13/1245; A41D  
2300/33; A45D 44/08; A47G 9/068;  
B60N 2/2881

See application file for complete search history.

(56) **References Cited**

**U.S. PATENT DOCUMENTS**

D99,853 S \* 6/1936 Brazell ..... D6/339  
2,244,656 A \* 6/1941 Asch ..... A41B 13/10  
2/49.2  
2,461,430 A \* 2/1949 Mack ..... A41B 13/10  
101/491  
2,694,199 A \* 11/1954 Sanders ..... A41B 13/10  
2/49.2  
2,697,222 A 12/1954 Reid  
2,943,660 A 7/1960 Beverly  
3,146,738 A \* 9/1964 Telarico ..... A47C 7/70  
108/135

(Continued)

**OTHER PUBLICATIONS**

“Stokke Tray, White” Jul. 25, 2012, amazon.com, site visited Sep. 6, 2018 <[https://www.amazon.com/Stokke-228701-Tray-White/dp/B0089Y91HM/ref=cm\\_cr\\_ar\\_p\\_d\\_product\\_top?ie=UTF8&th=1](https://www.amazon.com/Stokke-228701-Tray-White/dp/B0089Y91HM/ref=cm_cr_ar_p_d_product_top?ie=UTF8&th=1)> (Year: 2012).\*

*Primary Examiner* — Kevin K Rudzinski  
*Assistant Examiner* — Paul D Bohannon

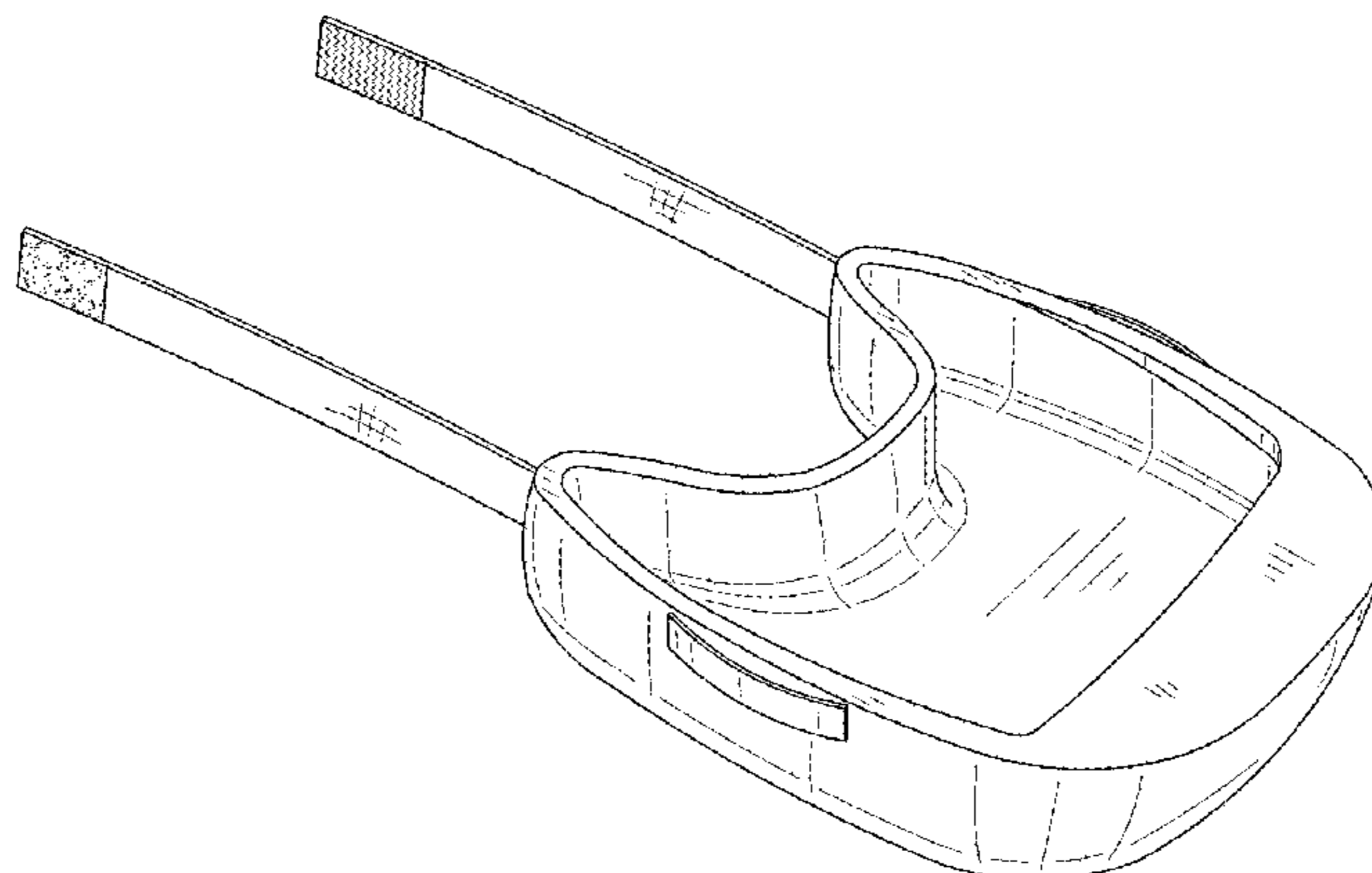
(57) **CLAIM**

We claim the ornamental design for a bib, as shown and described.

**DESCRIPTION**

FIG. 1 is a left side view of the bib.  
FIG. 2 is a right side view of the claimed design.  
FIG. 3 is a front view of the claimed design.  
FIG. 4 is a back view of the claimed design.  
FIG. 5 is a top view of the claimed design.  
FIG. 6 is a bottom view of the claimed design; and,  
FIG. 7 is a perspective view of the claimed design.

**1 Claim, 5 Drawing Sheets**



(56)

**References Cited**

U.S. PATENT DOCUMENTS

2001/0035112 A1\* 11/2001 Guard ..... A47D 1/008  
108/25  
2004/0128729 A1 7/2004 Lat  
2014/0173800 A1\* 6/2014 Wulf ..... A41B 13/106  
2/49.3  
2015/0272229 A1\* 10/2015 Lu ..... A41B 13/103  
2/49.2  
2018/0116423 A1\* 5/2018 Warjanka ..... A47D 1/0085

\* cited by examiner

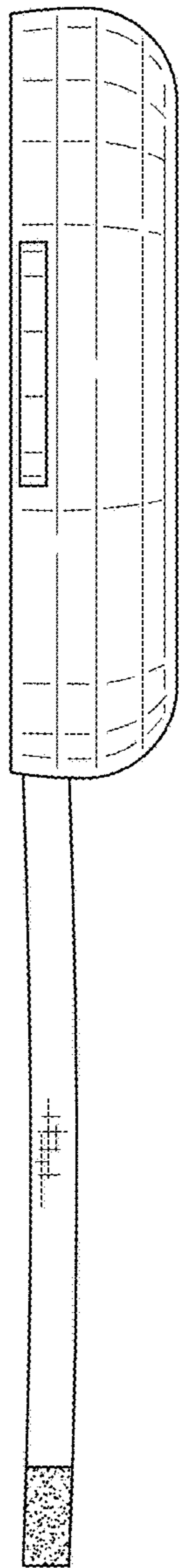


FIG. 1

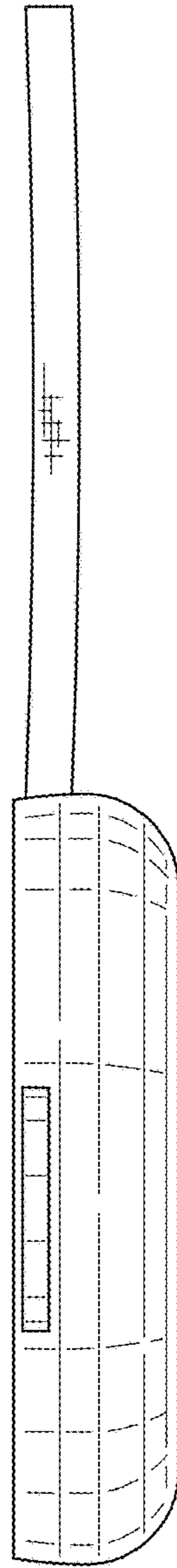


FIG. 2

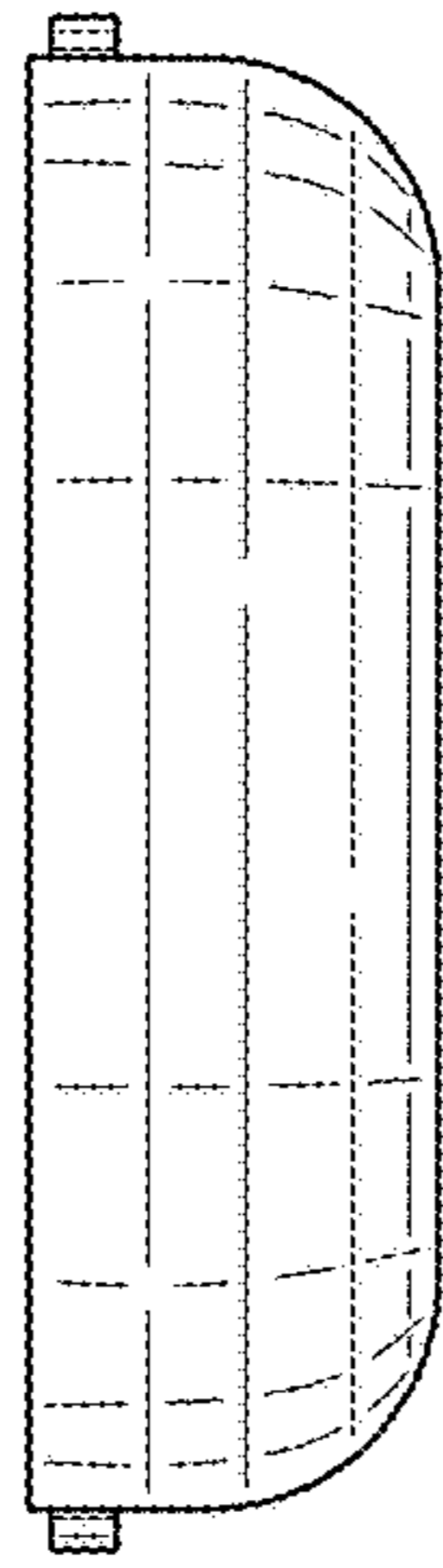


FIG. 4

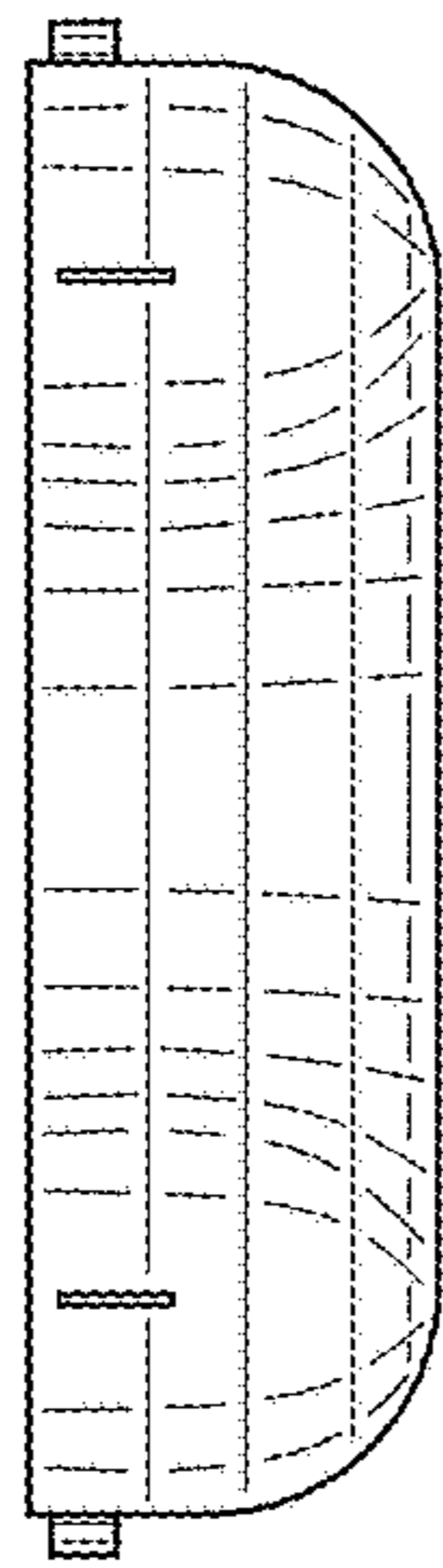


FIG. 3

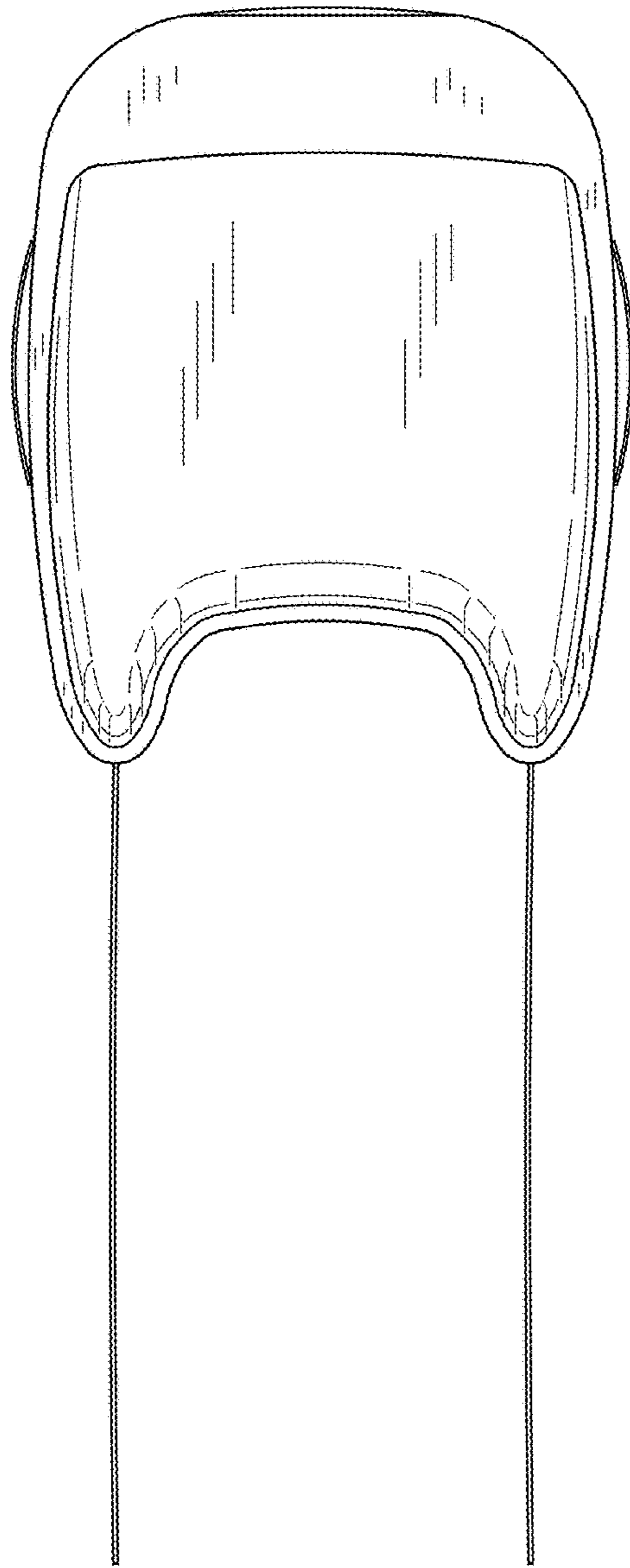


FIG. 5

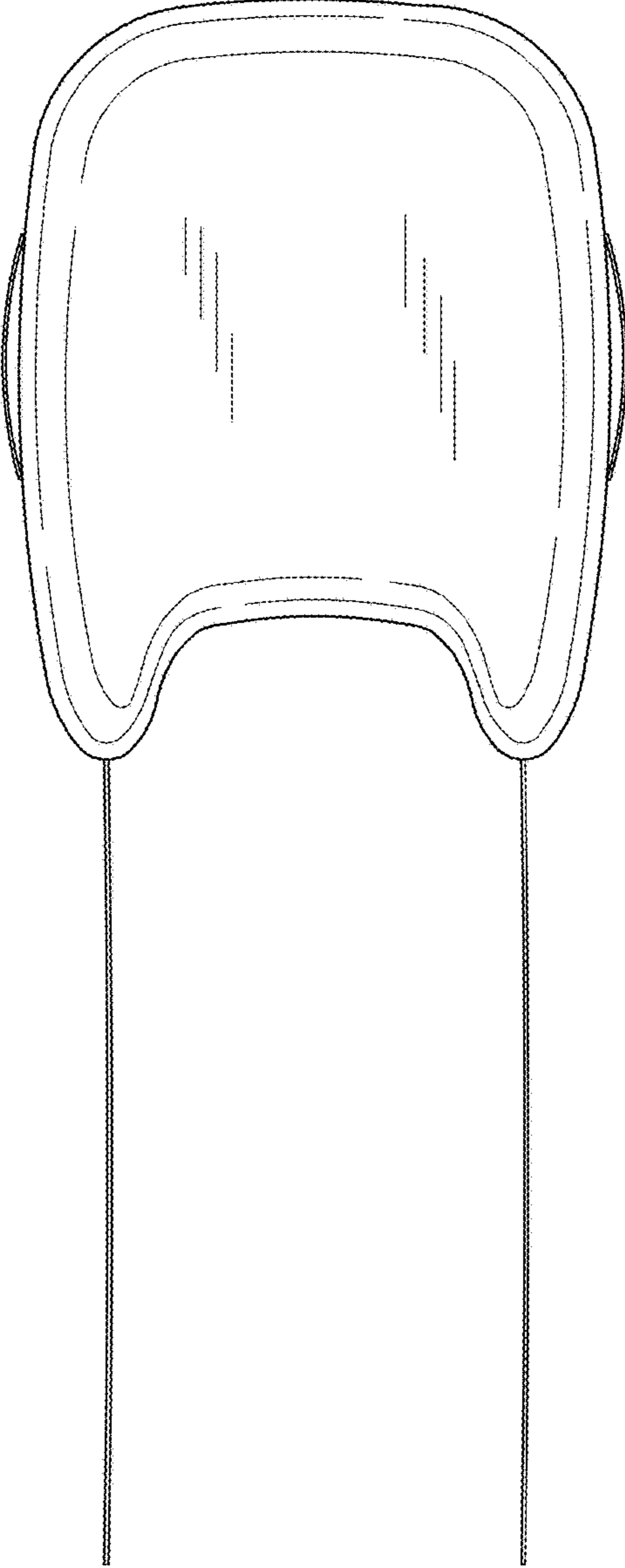


FIG. 6

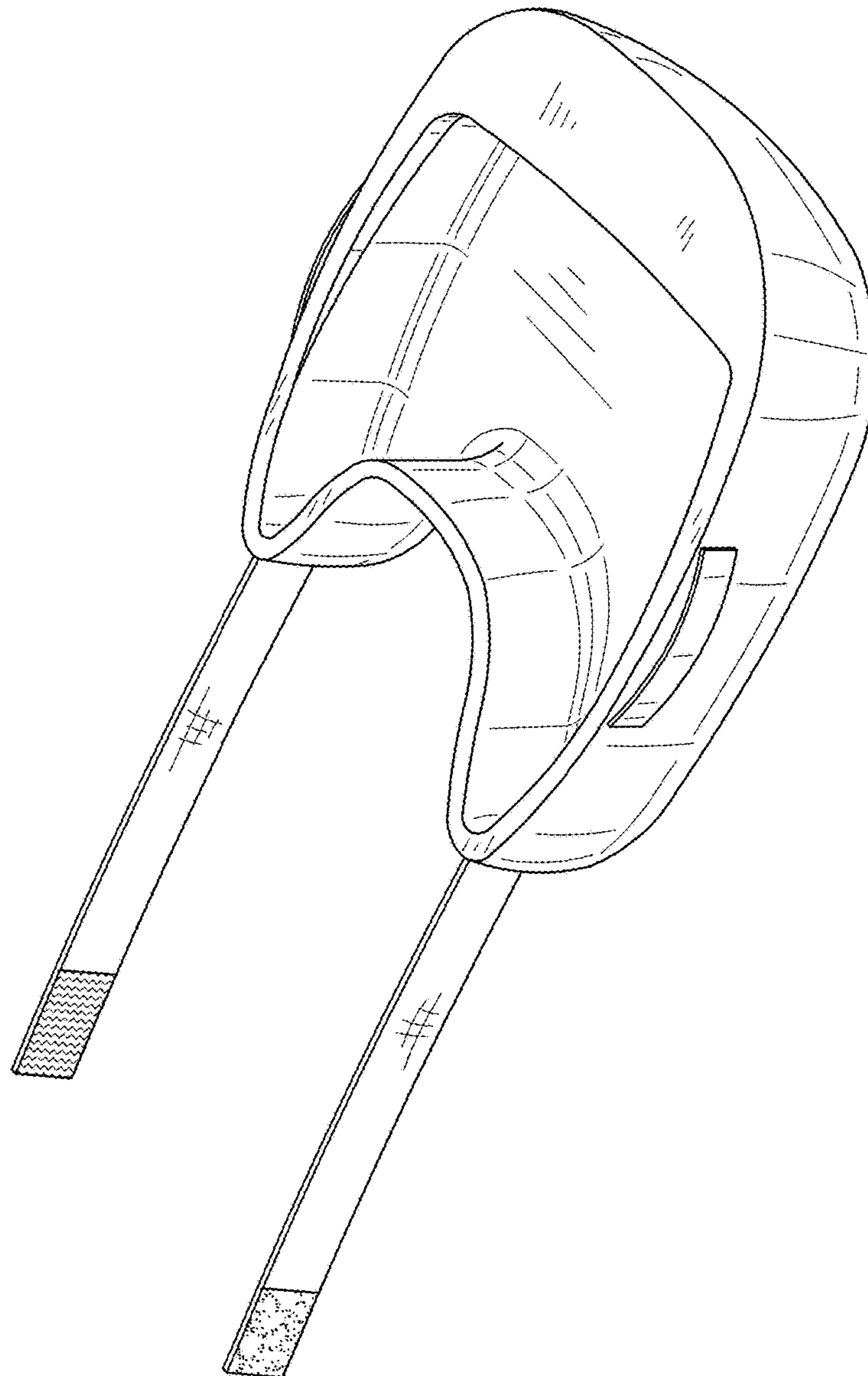


FIG. 7