



US00D837480S

(12) **United States Design Patent**
von Borstel

(10) **Patent No.:** **US D837,480 S**
(45) **Date of Patent:** **** Jan. 8, 2019**

- (54) **FOOD ITEM**
- (71) Applicant: **JVB Industrial Design GmbH**,
Hamburg (DE)
- (72) Inventor: **Jan von Borstel**, Hamburg (DE)
- (73) Assignee: **JVB INDUSTRIAL DESIGN GMBH**,
Hamburg (DE)
- (**) Term: **15 Years**
- (21) Appl. No.: **29/602,314**
- (22) Filed: **May 1, 2017**
- (51) **LOC (11) Cl.** **01-01**
- (52) **U.S. Cl.**
USPC **D1/118**
- (58) **Field of Classification Search**
USPC D1/100–130, 199; 426/104, 115, 121,
426/129, 130, 144, 249, 274, 303, 414,
426/420; D21/386, 401, 722; D6/597;
D7/507, 675, 400; 220/574; 29/428;
D8/71; D24/122
CPC A23G 9/503; A23G 9/48; A23G 9/282;
A23G 9/285; A23G 3/2023; A23L
1/0067; A21D 2/36; A21D 13/0029
See application file for complete search history.

2,074,278	A *	3/1937	Shapiro	A23G 9/506 426/139
2,114,205	A *	4/1938	Balton	A23G 9/506 426/139
2,159,761	A *	5/1939	Fredrickson	A23G 9/506 229/932
2,248,448	A *	7/1941	Chester	A23G 9/506 426/139
D153,354	S *	4/1949	Heyman	D1/118
D157,047	S *	1/1950	Heyman	D1/118
D157,048	S *	1/1950	Heyman	D1/118
D340,343	S *	10/1993	Rizikow	D1/116
D372,792	S *	8/1996	Haas	D1/118
D499,227	S *	12/2004	Chilles	D1/118

* cited by examiner

Primary Examiner — Katie Jane Stofko

(74) *Attorney, Agent, or Firm* — Ladas & Parry LLP

(57) **CLAIM**

The ornamental design for a food item, as shown and described.

DESCRIPTION

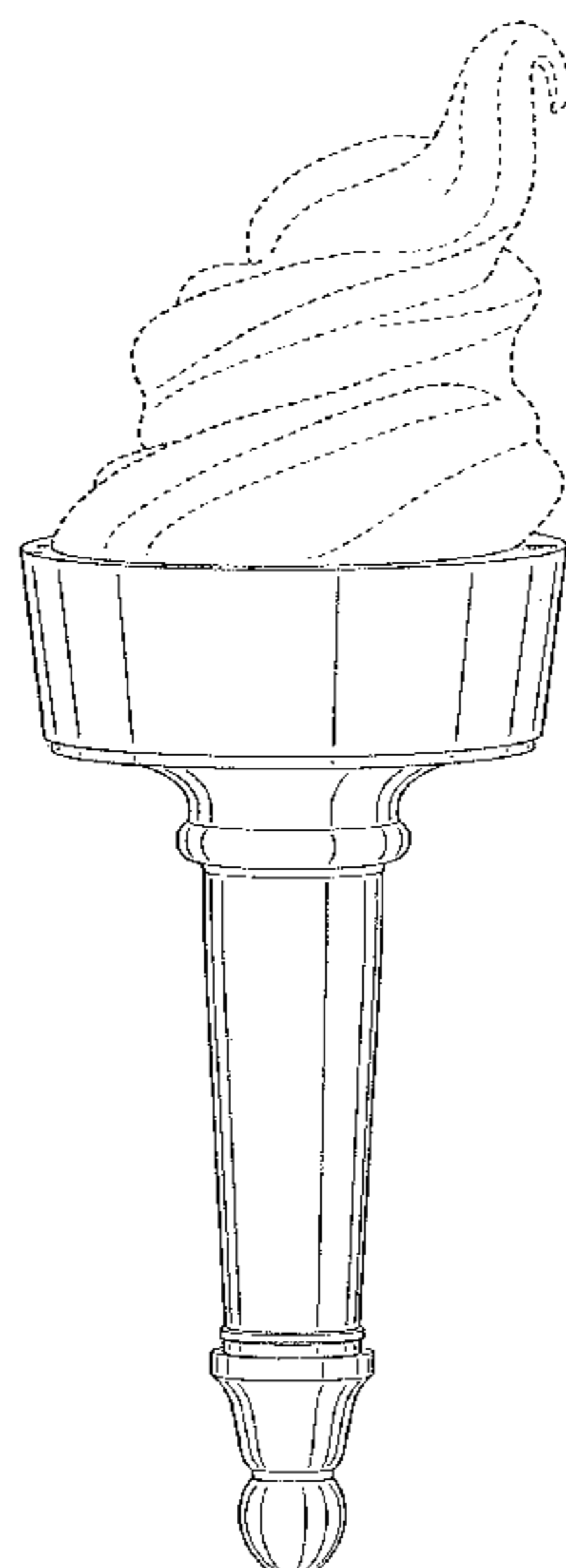
FIG. 1 is a perspective view of a food item showing the new design;
 FIG. 2 is a side elevation view thereof;
 FIG. 3 is a top plan view thereof; and,
 FIG. 4 is a bottom plan view thereof.
 The broken lines in FIG. 1 show environment that forms no part of the claimed design, while the broken lines in FIG. 3 illustrate portions of the food item that form no part of the claimed design. The food item is radially symmetrical about its central vertical axis. Thus only one elevation view is shown.

1 Claim, 4 Drawing Sheets

(56) **References Cited**

U.S. PATENT DOCUMENTS

D67,398	S *	5/1925	Denaro	D1/118
D94,499	S *	2/1935	Leaf	D1/118
D94,500	S *	2/1935	Leaf	D1/118



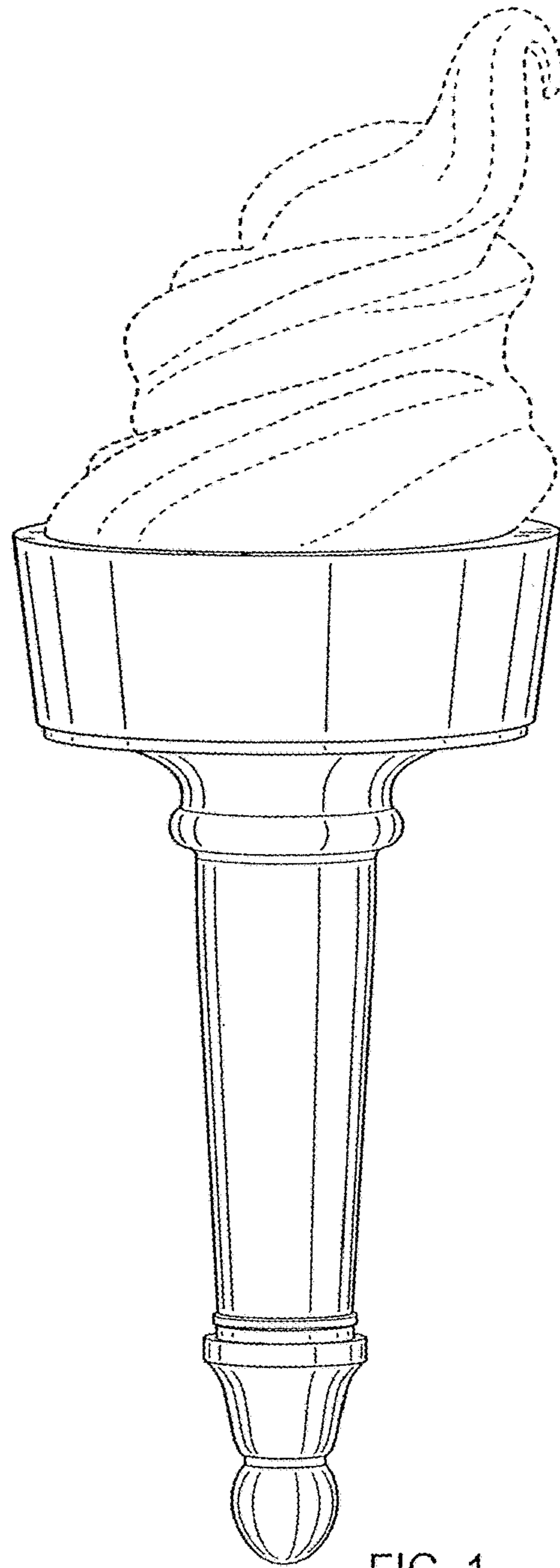


FIG. 1

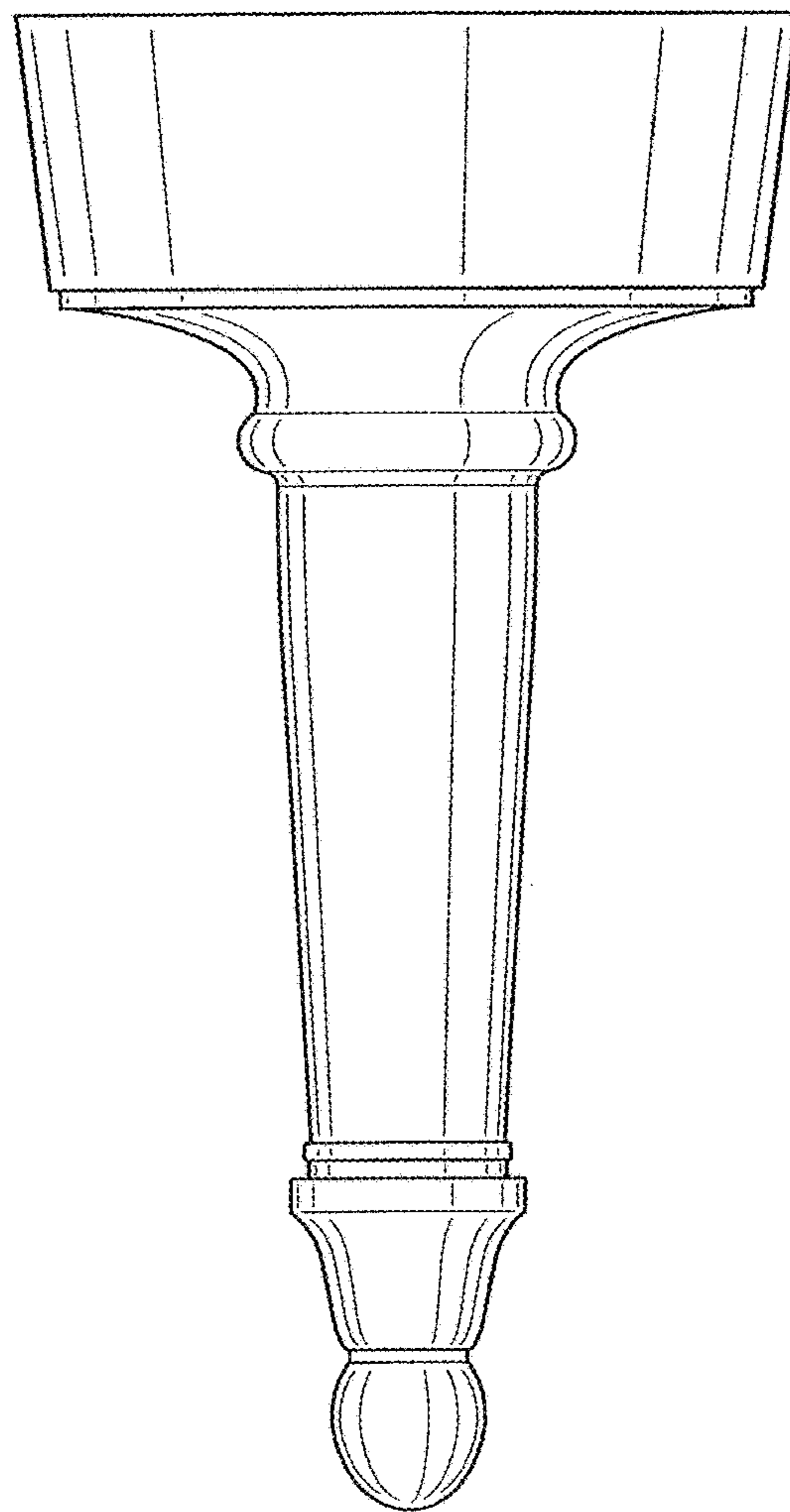


FIG. 2

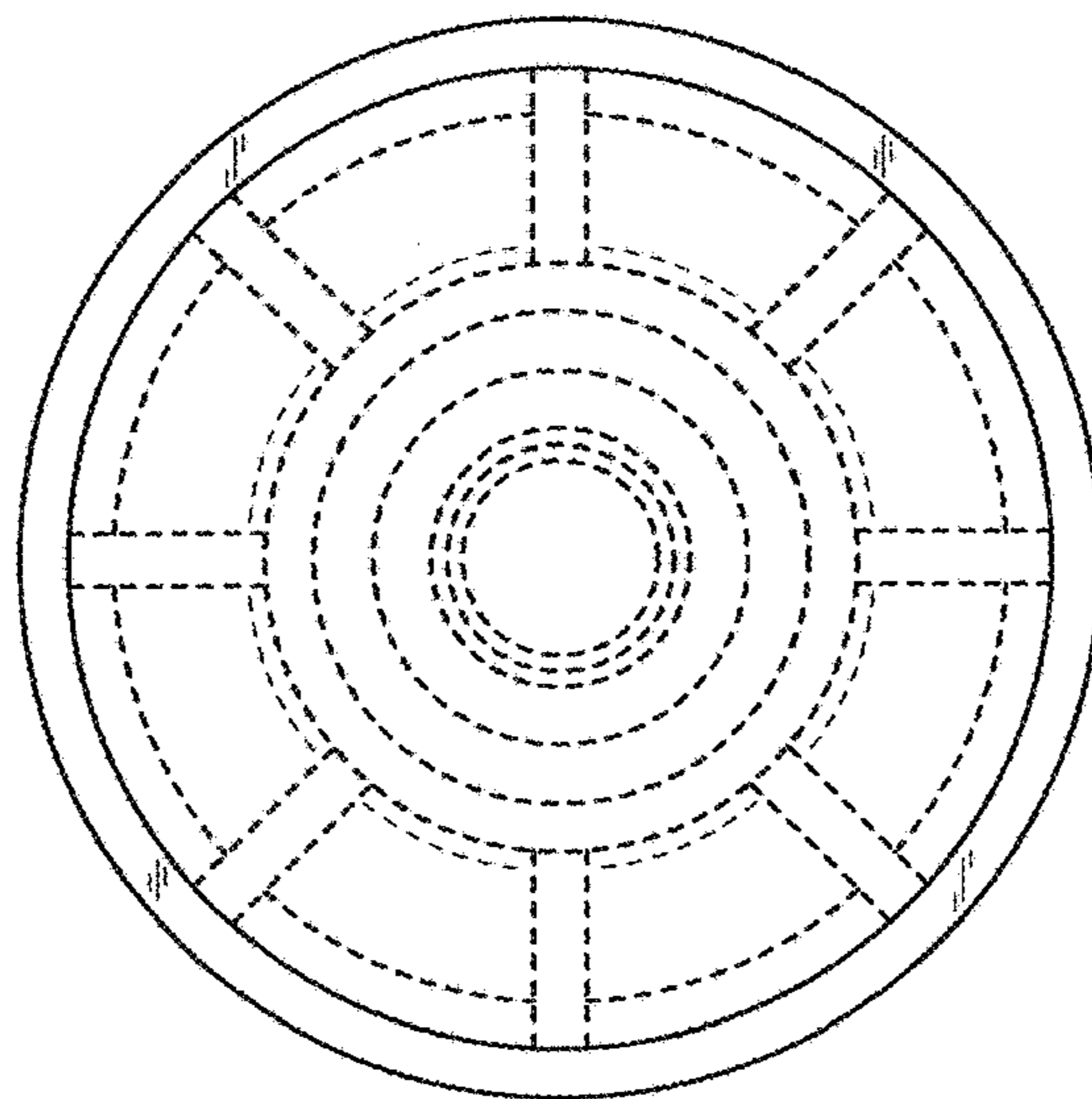


FIG. 3

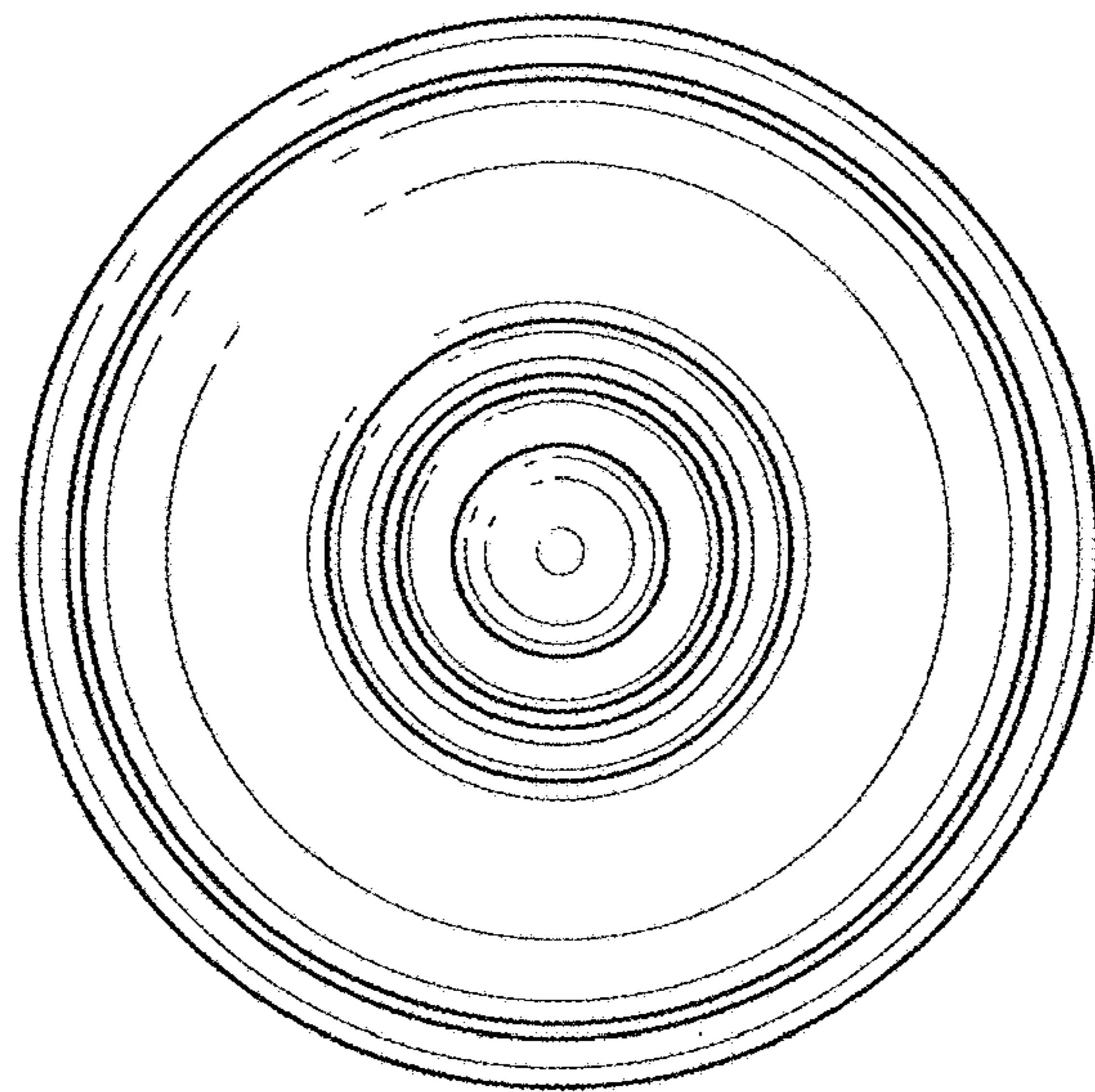


FIG. 4