



US00D837477S

(12) **United States Design Patent** (10) **Patent No.:** **US D837,477 S**  
**Huang** (45) **Date of Patent:** **\*\* Jan. 1, 2019**

(54) **SYNTHETIC STRAP HOIST**  
(71) Applicant: **Comeup Industries Inc.**, Taipei (TW)  
(72) Inventor: **Shih-Jyi Huang**, Taipei (TW)  
(73) Assignee: **Comeup Industries Inc.**, Taipei (TW)  
(\*\*) Term: **15 Years**  
(21) Appl. No.: **29/623,807**  
(22) Filed: **Oct. 27, 2017**  
(51) **LOC (11) Cl.** ..... **12-05**  
(52) **U.S. Cl.**  
USPC ..... **D34/33**  
(58) **Field of Classification Search**  
USPC ..... D34/28, 29, 33, 34, 35; 198/498, 835,  
198/611, 829, 842, 806, 669; 254/346,  
254/356, 344, 352, 342, 362, 267, 266,  
254/243, 285; 192/16; 200/298  
CPC ..... B66D 2700/023; B66D 3/02; B66D 3/18;  
B66D 1/00; B66D 5/02  
See application file for complete search history.

D309,969 S \* 8/1990 Tamura ..... D34/28  
9,802,799 B2 \* 10/2017 Ishikawa ..... B66D 3/26  
9,926,176 B2 \* 3/2018 Kosuga ..... B66D 3/16  
2015/0298946 A1 \* 10/2015 Kosuga ..... B66D 3/16  
254/342

\* cited by examiner

*Primary Examiner* — Cynthia Ramirez  
*Assistant Examiner* — Gino Colan  
(74) *Attorney, Agent, or Firm* — Alan D. Kamrath;  
Kamrath IP Lawfirm, P.A.

(57) **CLAIM**

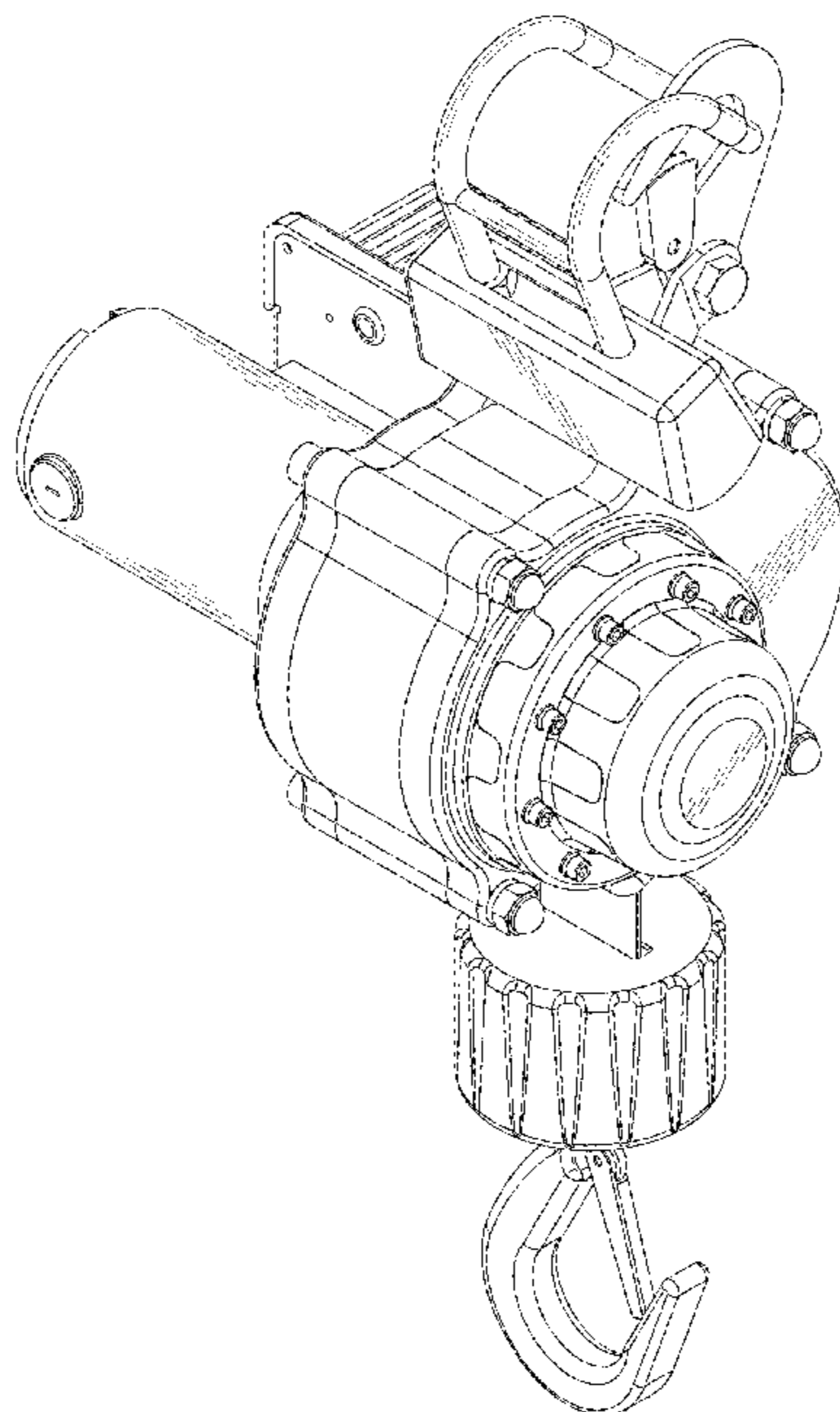
The ornamental design for a synthetic strap hoist, as shown and described.

**DESCRIPTION**

FIG. 1 is a perspective view of the synthetic strap hoist showing my new design;  
FIG. 2 is a front elevational view thereof;  
FIG. 3 is a rear elevational view thereof;  
FIG. 4 is a left side elevational view thereof;  
FIG. 5 is a right side elevational view thereof;  
FIG. 6 is a top plan view thereof;  
FIG. 7 is a bottom plan view thereof;  
FIG. 8 is an another perspective view thereof; and,  
FIG. 9 is a reference view showing the synthetic strap hoist being in using status.  
The broken lines shown in the figures are included for the purpose of illustrating portions of the synthetic strap hoist and form no part of the claimed design.

**1 Claim, 8 Drawing Sheets**

(56) **References Cited**  
U.S. PATENT DOCUMENTS  
514,888 A \* 2/1894 Gleason ..... B66D 1/14  
254/342  
2,770,339 A \* 11/1956 Dotson ..... B66D 3/14  
192/16  
3,894,720 A \* 7/1975 Koji ..... B66D 3/16  
254/285  
4,097,024 A \* 6/1978 Schreyer ..... B66D 3/14  
254/243  
4,789,135 A \* 12/1988 Watanabe ..... B66C 13/56  
200/298



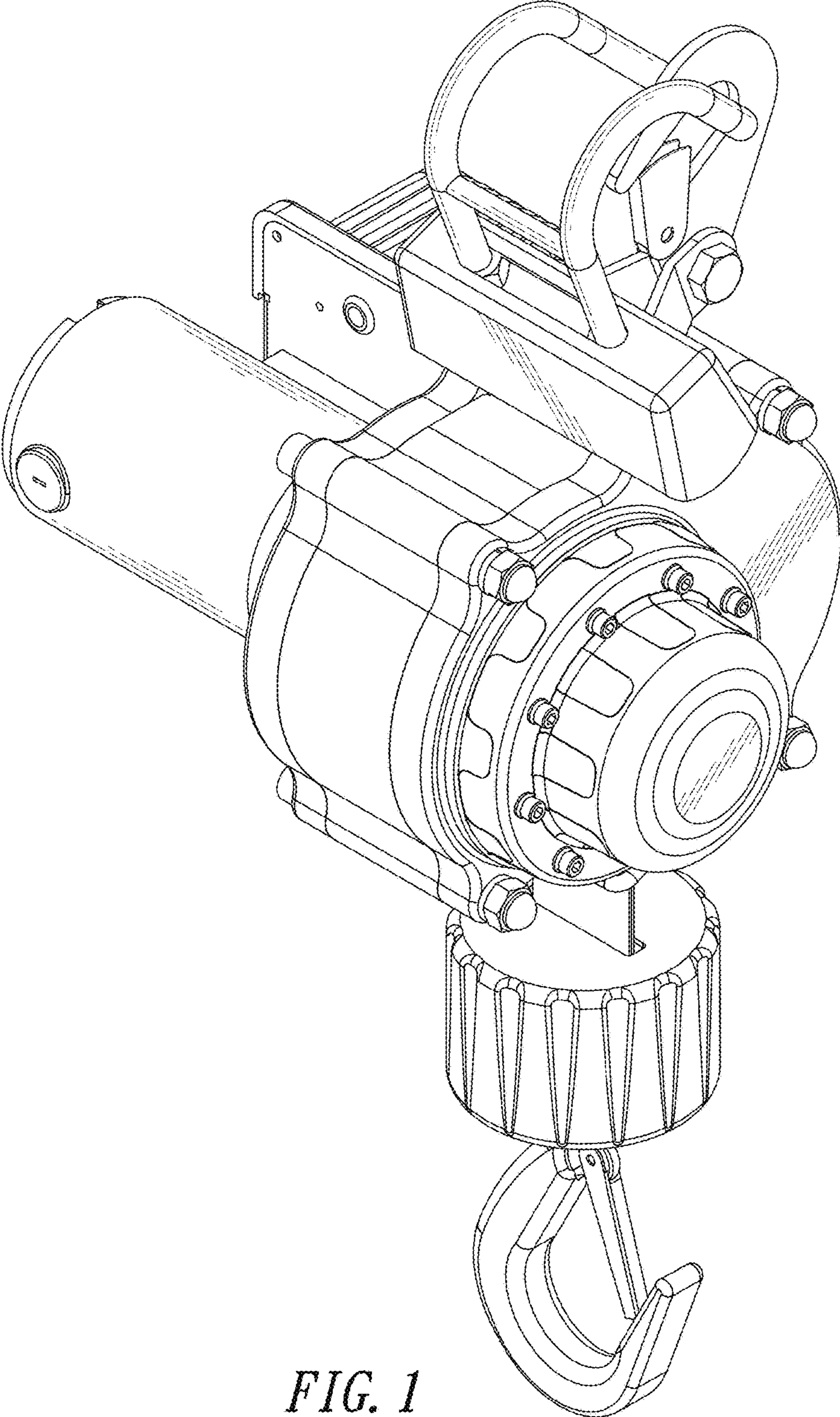


FIG. 1

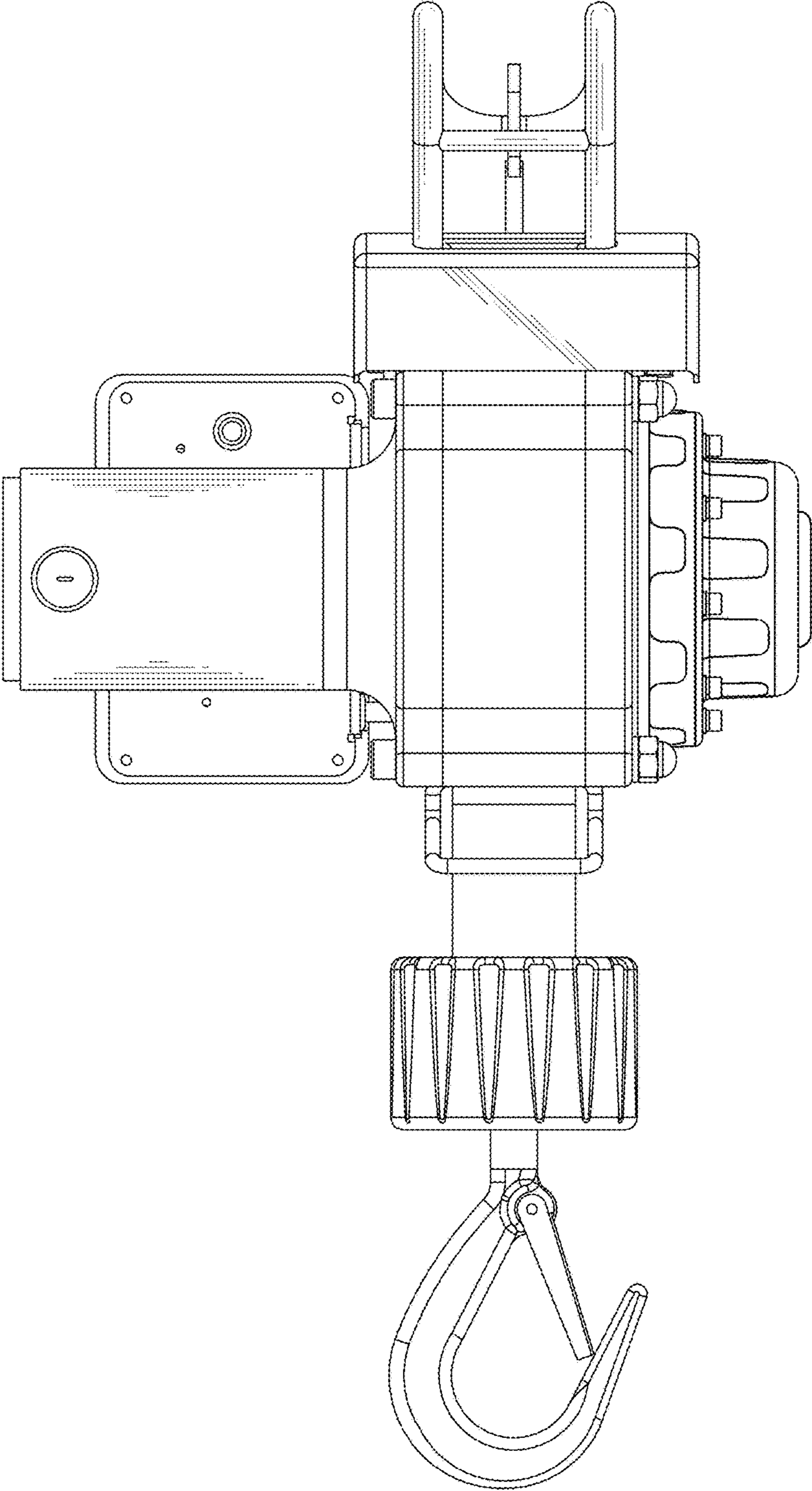


FIG. 2

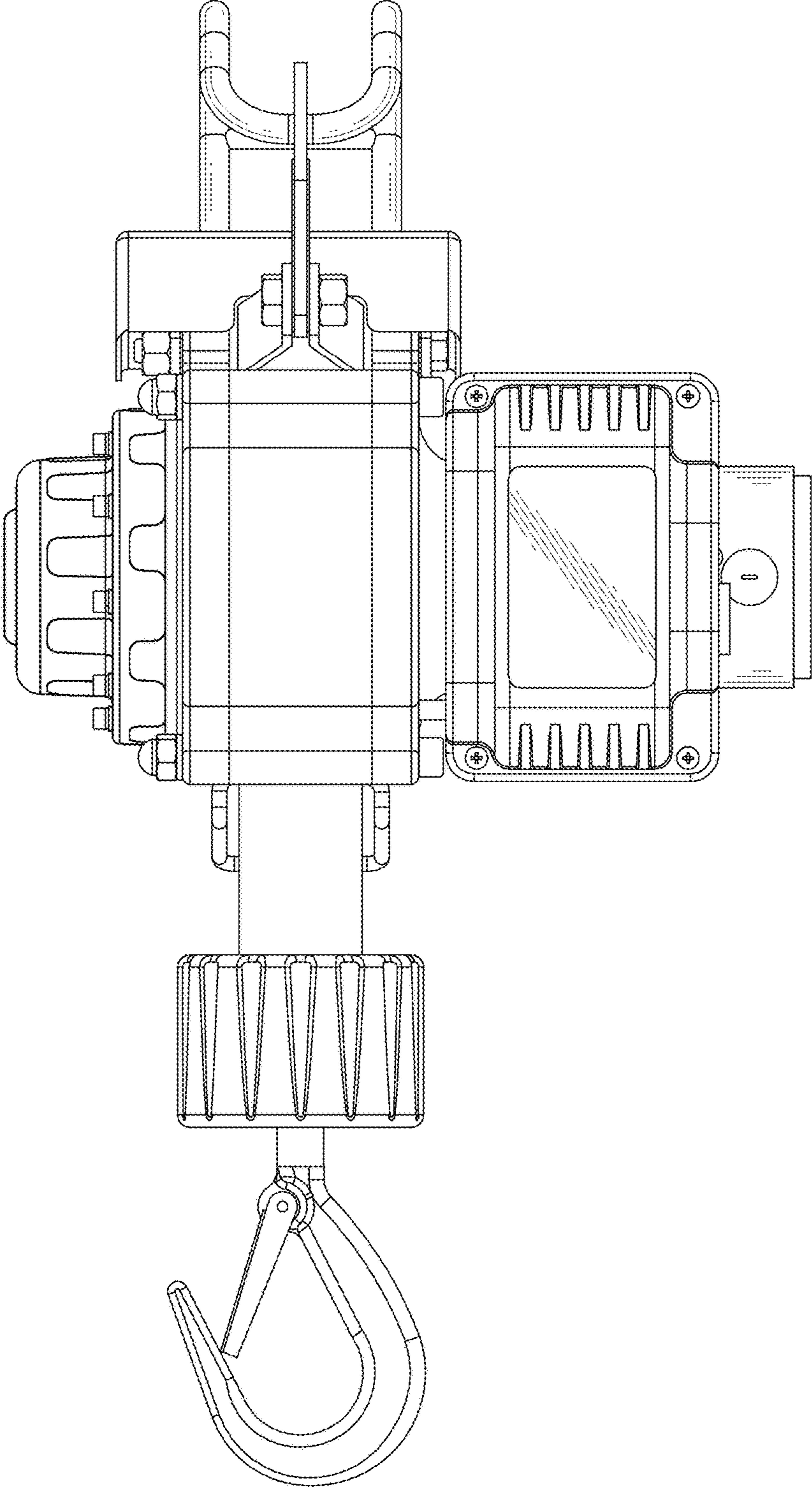
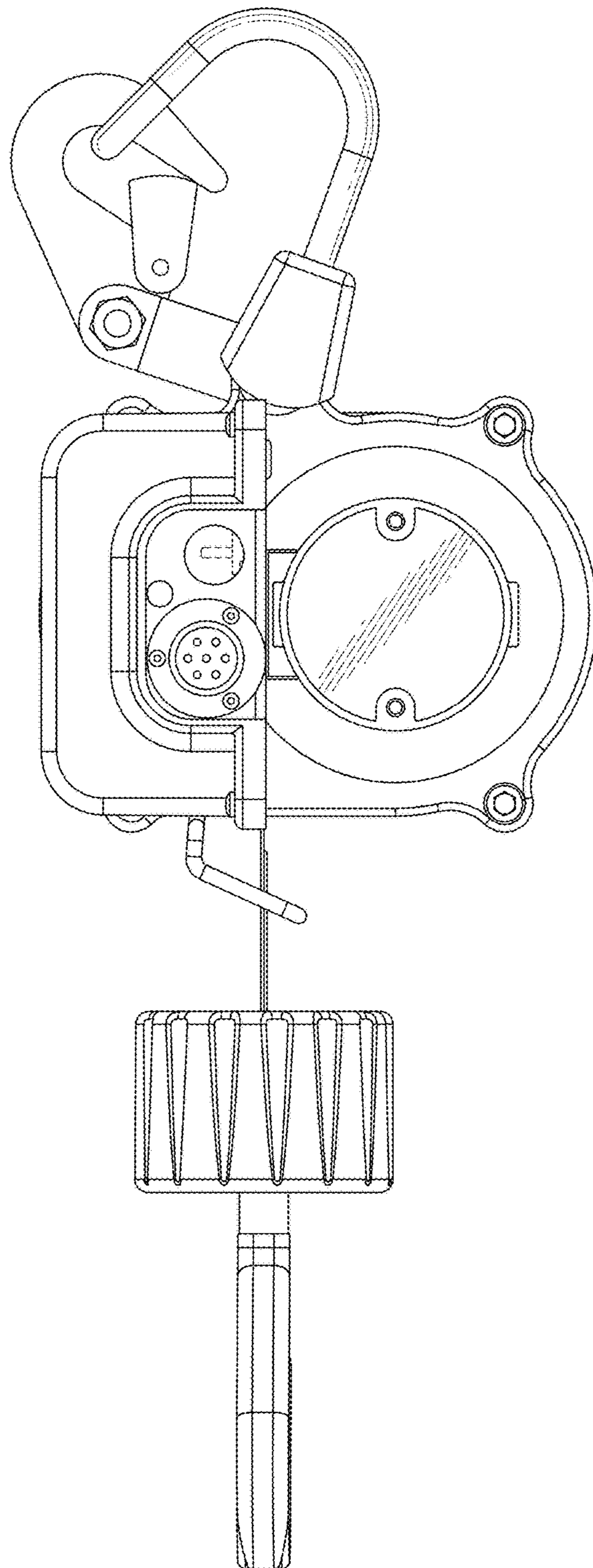
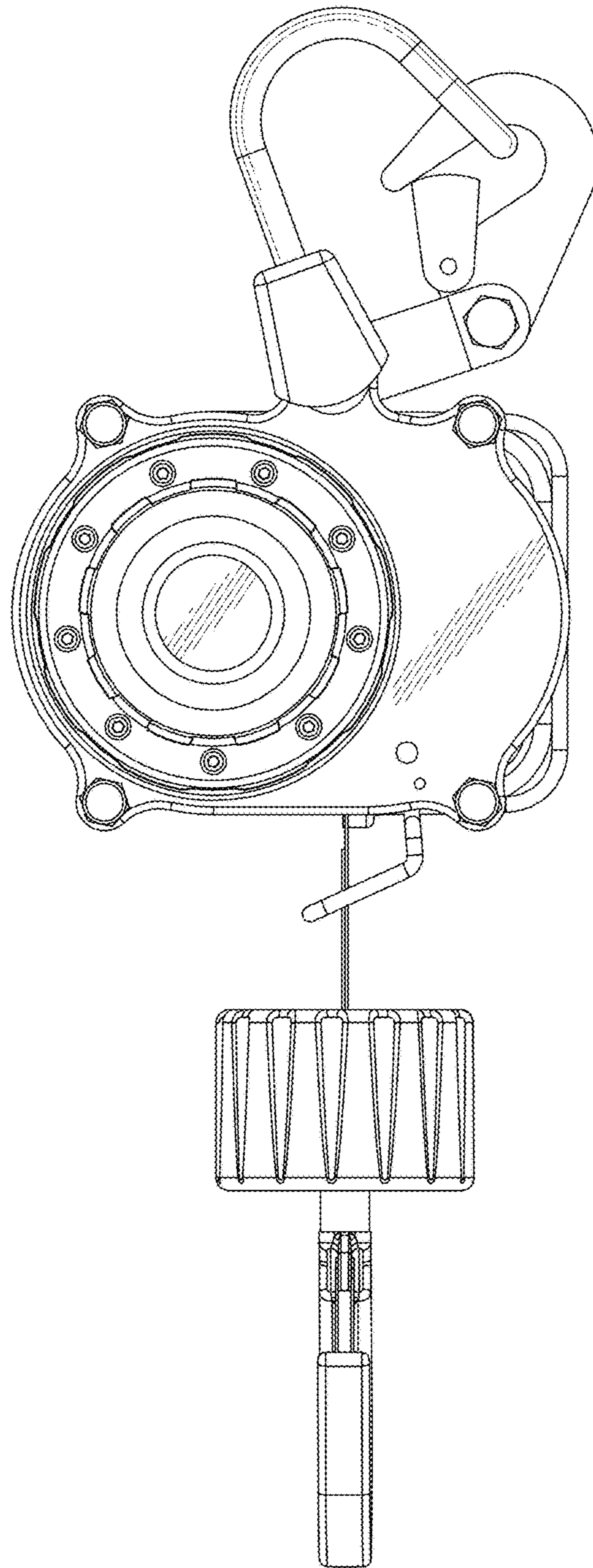


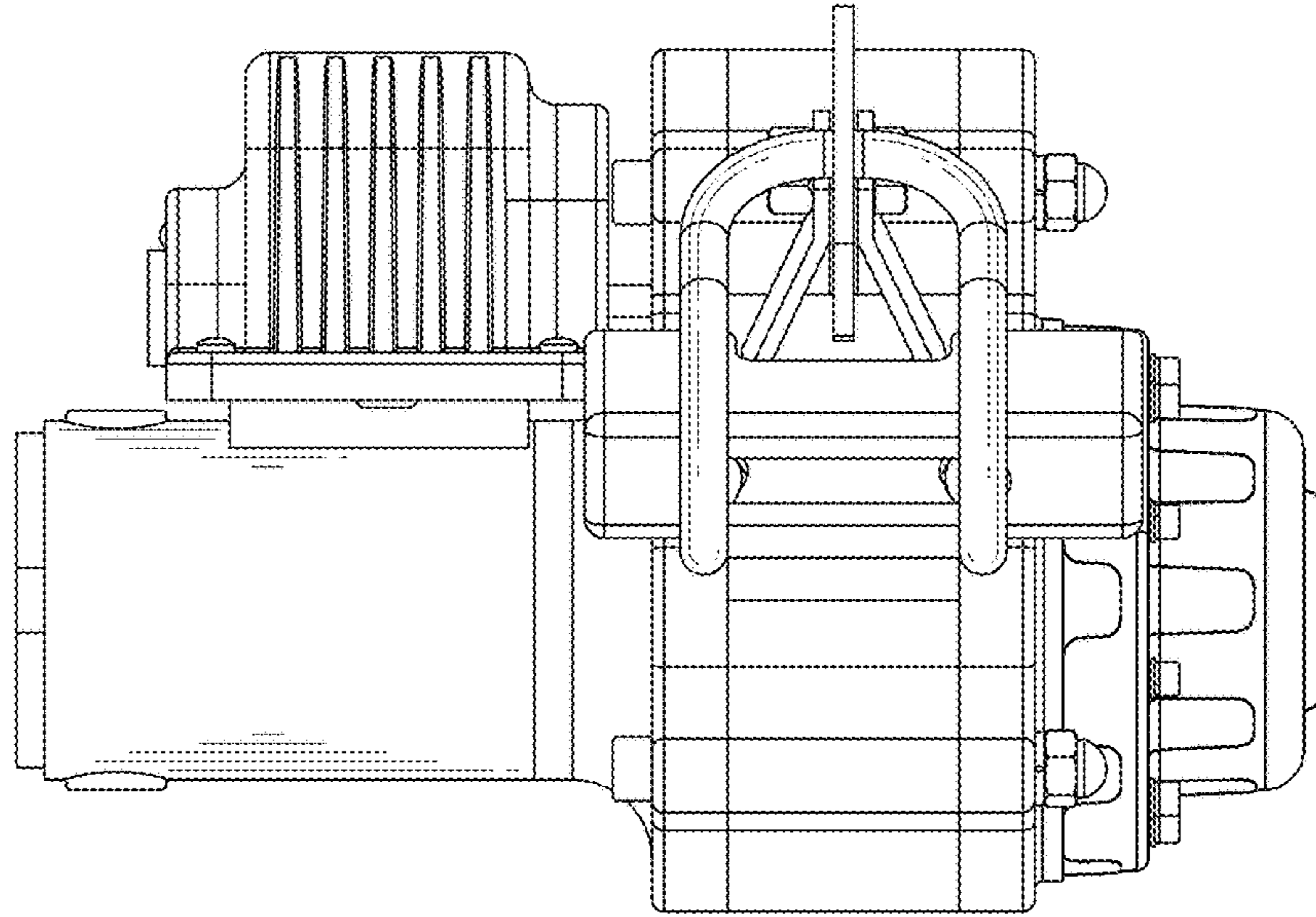
FIG. 3



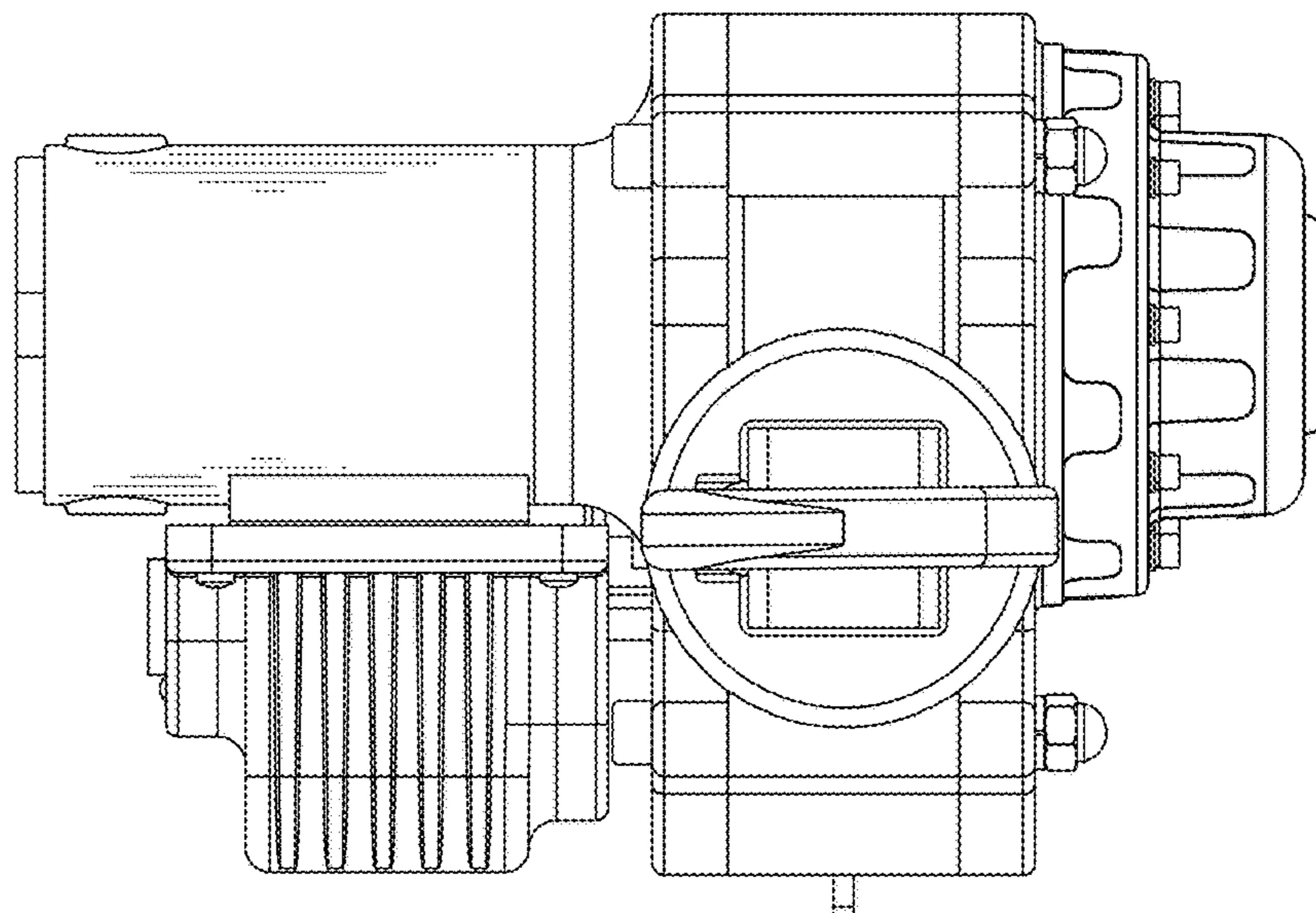
*FIG. 4*



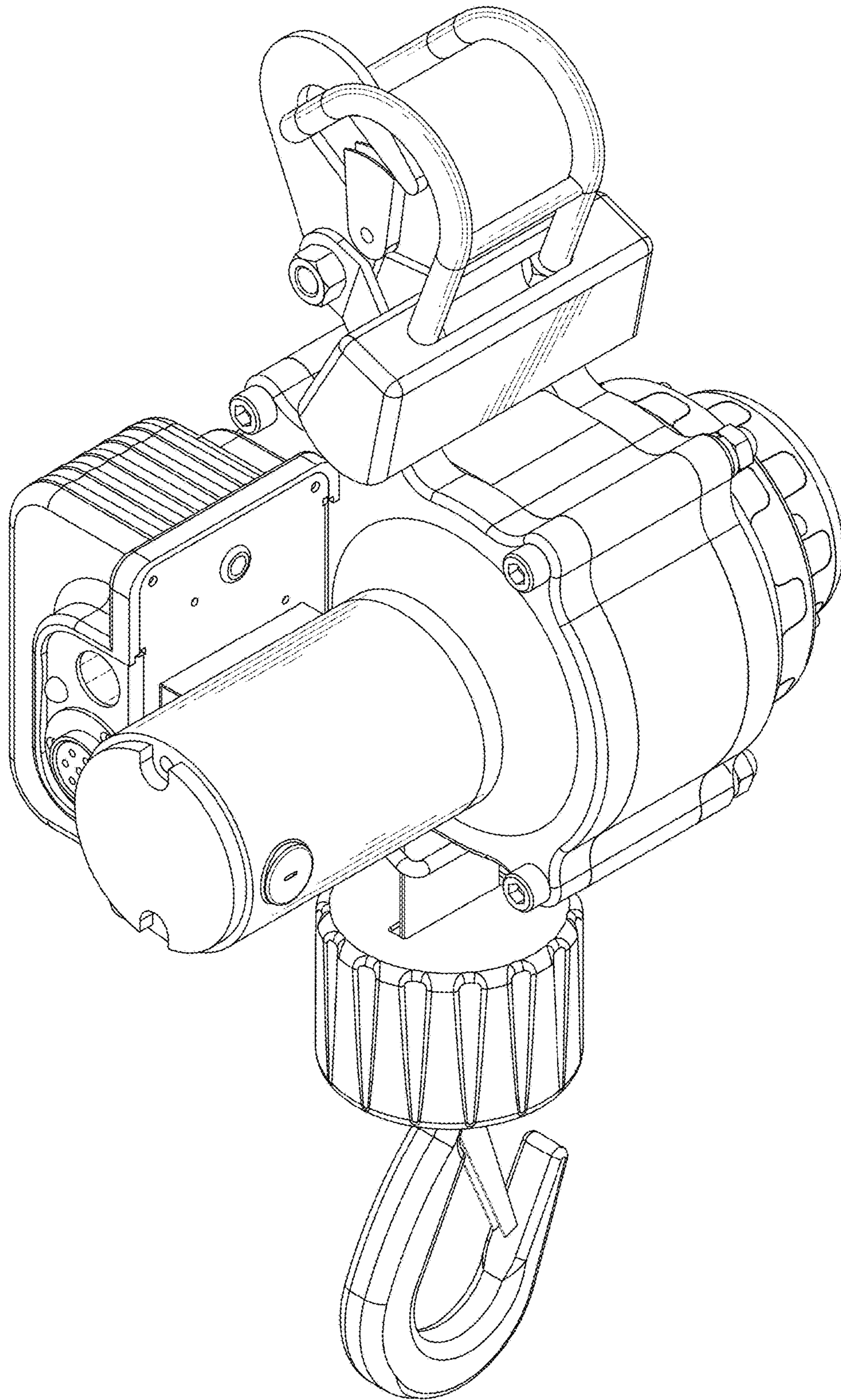
*FIG. 5*



*FIG. 6*



*FIG. 7*



*FIG. 8*



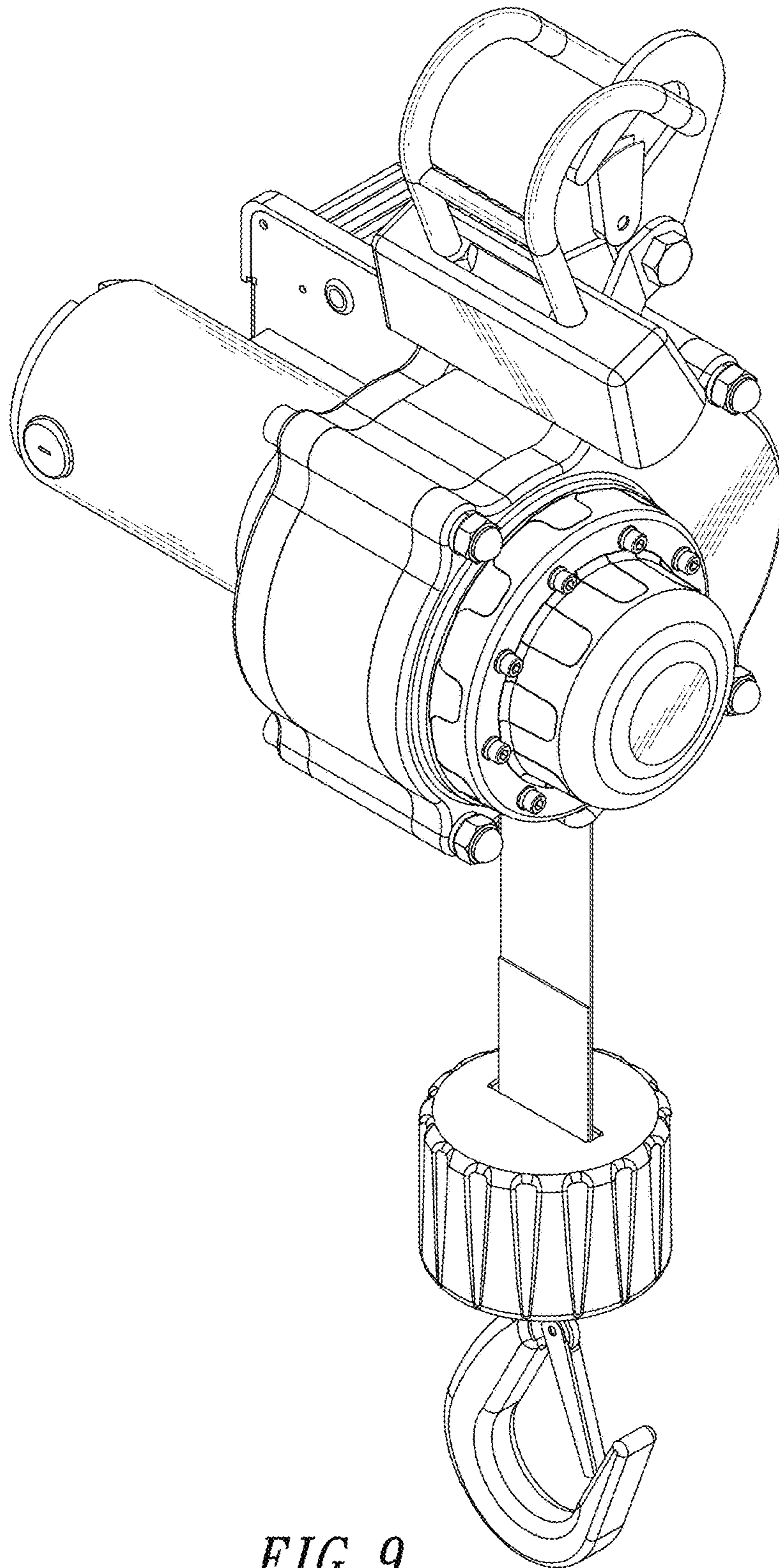


FIG. 9