



US00D837476S

(12) **United States Design Patent** (10) **Patent No.:** **US D837,476 S**
Rantanen (45) **Date of Patent:** **** *Jan. 1, 2019**

(54) **PAPER ROLL CUSHIONER**
(71) Applicant: **MoveRoll Oy (private limited, Porvoo (FI)**
(72) Inventor: **Mikko Rantanen, Porvoo (FI)**
(*) Notice: This patent is subject to a terminal disclaimer.
(**) Term: **14 Years**
(21) Appl. No.: **29/470,338**
(22) Filed: **Oct. 20, 2013**

(30) **Foreign Application Priority Data**
Apr. 21, 2012 (FI) M20130082
(51) **LOC (11) Cl.** **12-05**
(52) **U.S. Cl.**
USPC **D34/29**
(58) **Field of Classification Search**
USPC D34/29, 35, 28; 198/834, 853, 850, 697,
198/830, 842, 849, 851, 321, 779, 624,
198/643; 414/276, 267; 384/474;
277/423, 562; D15/147; D8/499
CPC B65G 17/24; B65G 13/02; B65G 13/11;
B65G 15/32
See application file for complete search history.

(56) **References Cited**
U.S. PATENT DOCUMENTS
1,793,190 A * 2/1931 Philips 384/474
2,514,715 A * 7/1950 Milik 198/830
2,809,742 A * 10/1957 Holz 198/697

2,906,395 A * 9/1959 Greer 198/850
D203,607 S * 2/1966 Pfister D21/533
D291,777 S * 9/1987 Lapeyre et al. D34/29
D299,424 S * 1/1989 Schroeder et al. D8/499
D299,425 S * 1/1989 Schroeder et al. D8/499
4,993,543 A * 2/1991 Lapeyre 198/834
D423,748 S * 4/2000 Neuwirth et al. D34/29
D572,875 S * 7/2008 Ito et al. D34/29
7,424,944 B2 * 9/2008 Mustalahti et al. 198/321
D580,123 S * 11/2008 Ito et al. D34/29
D591,475 S * 4/2009 Campbell et al. D34/29
8,701,871 B2 * 4/2014 Fourney 198/779
D710,564 S * 8/2014 Yang D34/35
2007/0034484 A1 * 2/2007 Fandella 198/851
2014/0116853 A1 * 5/2014 Chinnock et al. 198/779

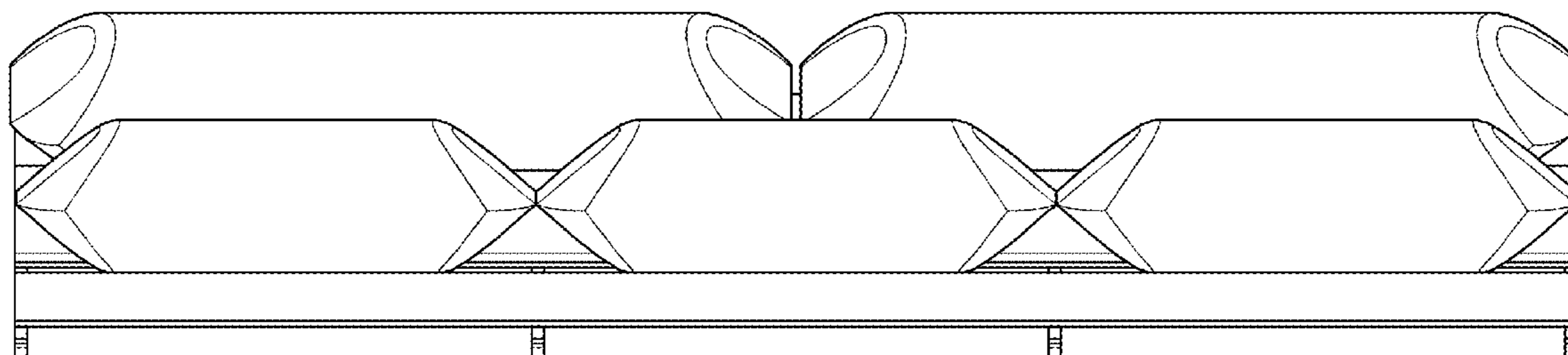
* cited by examiner

Primary Examiner — Cynthia Ramirez
Assistant Examiner — Gino Colan
(74) *Attorney, Agent, or Firm* — Bay State IP, LLC

(57) **CLAIM**
The ornamental design for a paper roll cushioner, as shown and described.

DESCRIPTION
FIG. 1 is a front view of the paper roll cushioner showing my new design thereof;
FIG. 2 is a top view thereof;
FIG. 3 is a bottom view thereof;
FIG. 4 is a back view thereof;
FIG. 5 is a left side view thereof, shown in a larger scale;
FIG. 6 is a right side view thereof, shown in a larger scale;
FIG. 7 is a front right perspective thereof;
FIG. 8 is a left front perspective thereof; and,
FIG. 9 is a left back perspective thereof.

1 Claim, 9 Drawing Sheets



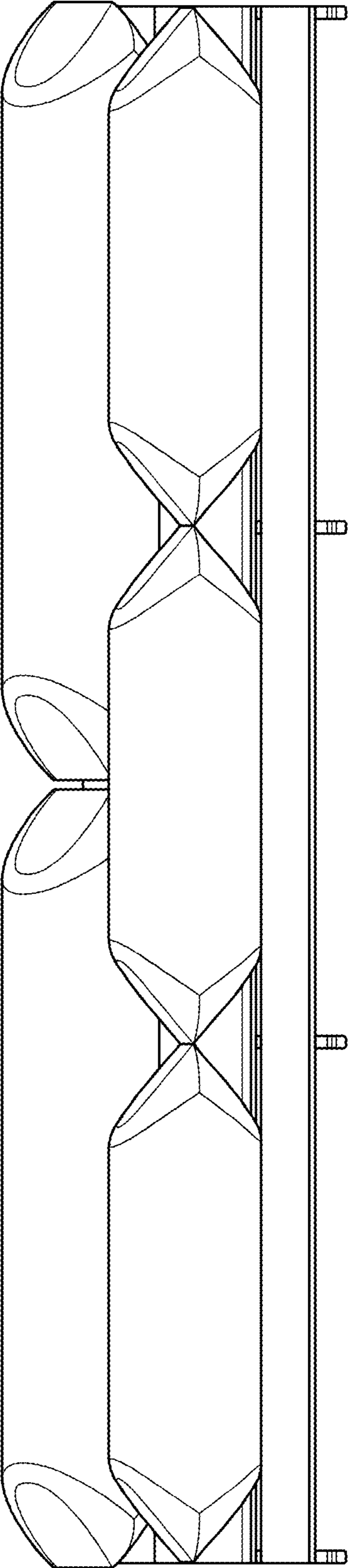


FIG. 1

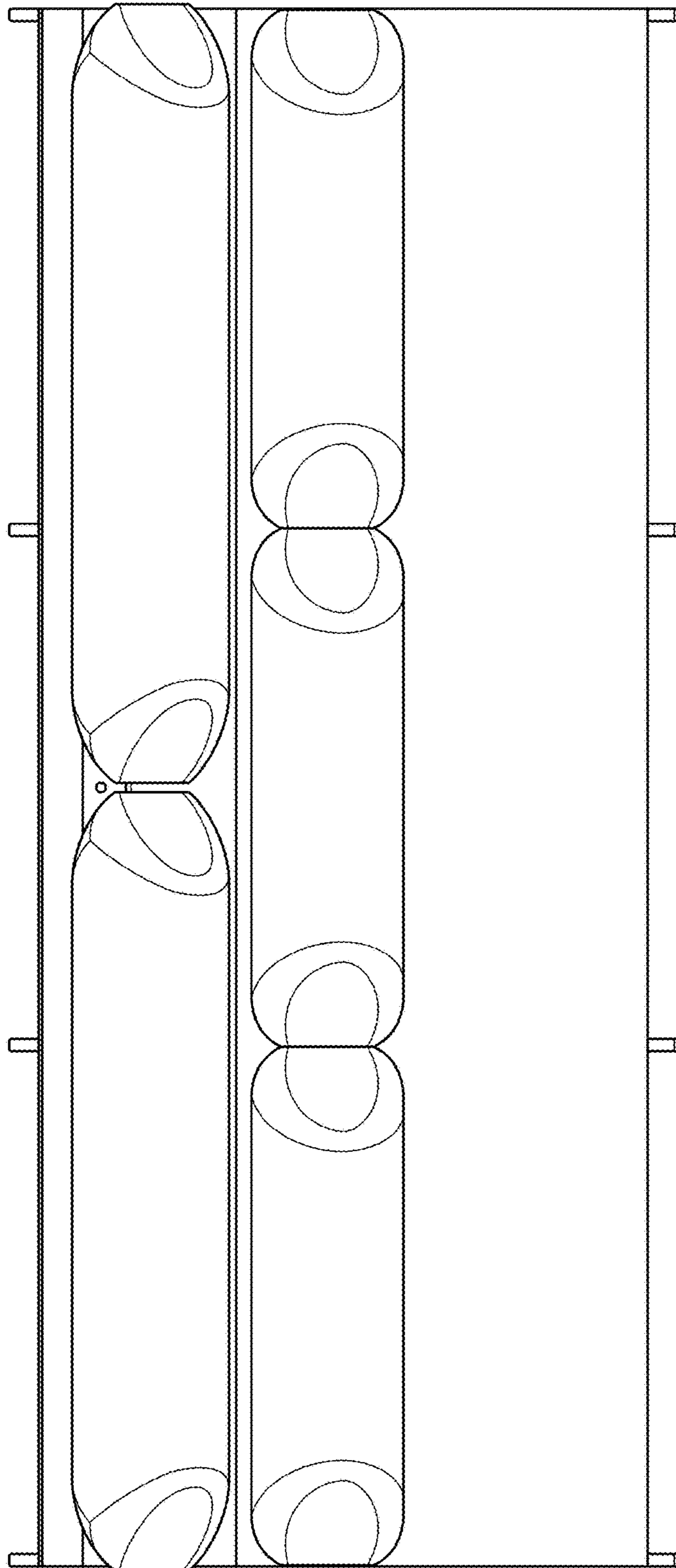


FIG. 2

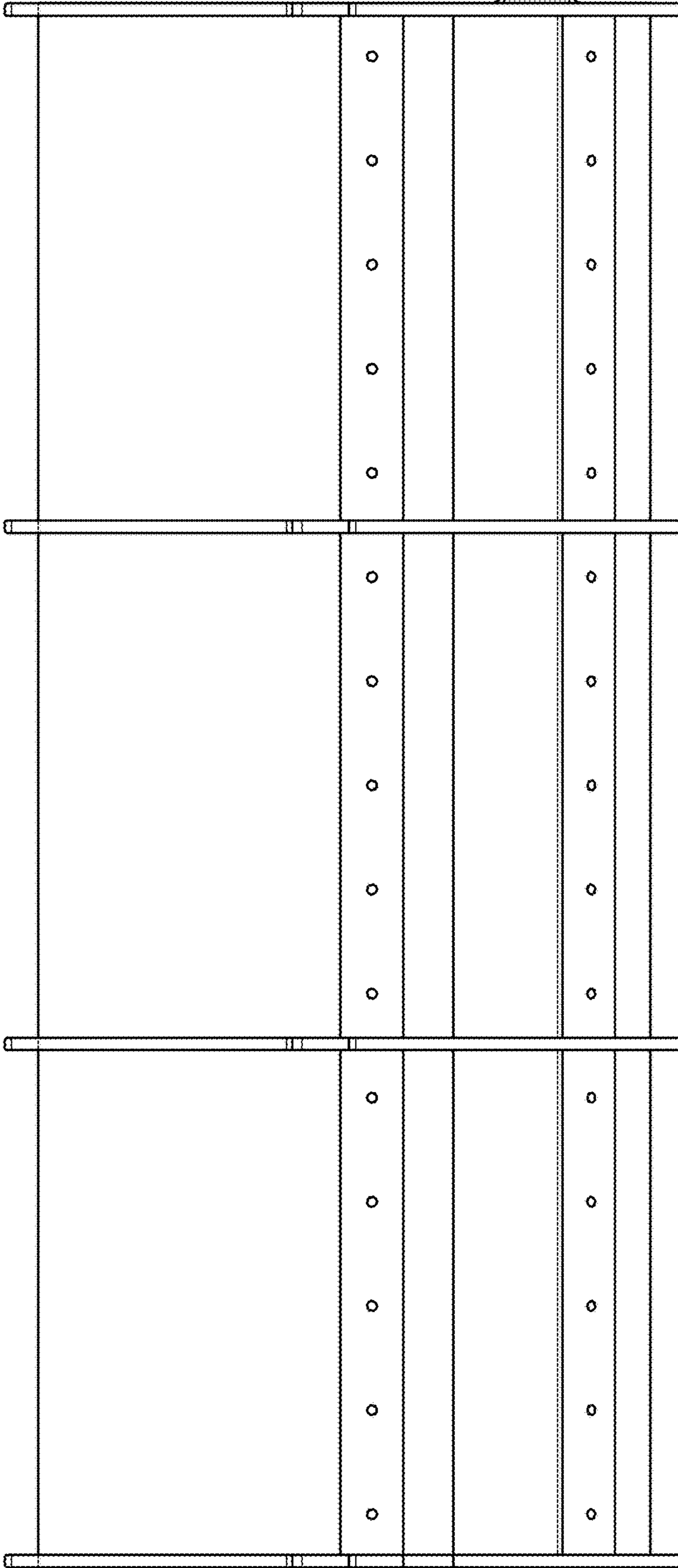


FIG. 3

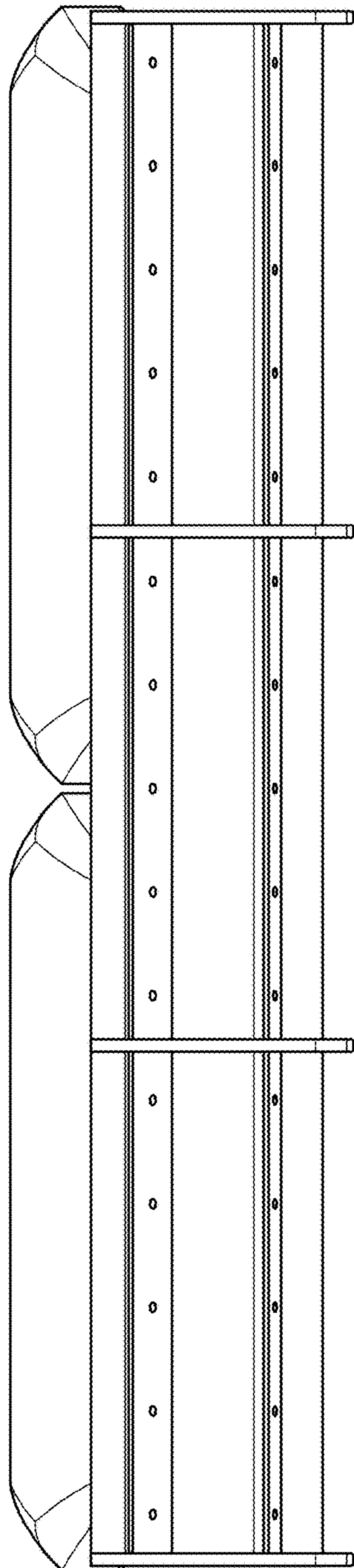


FIG. 4

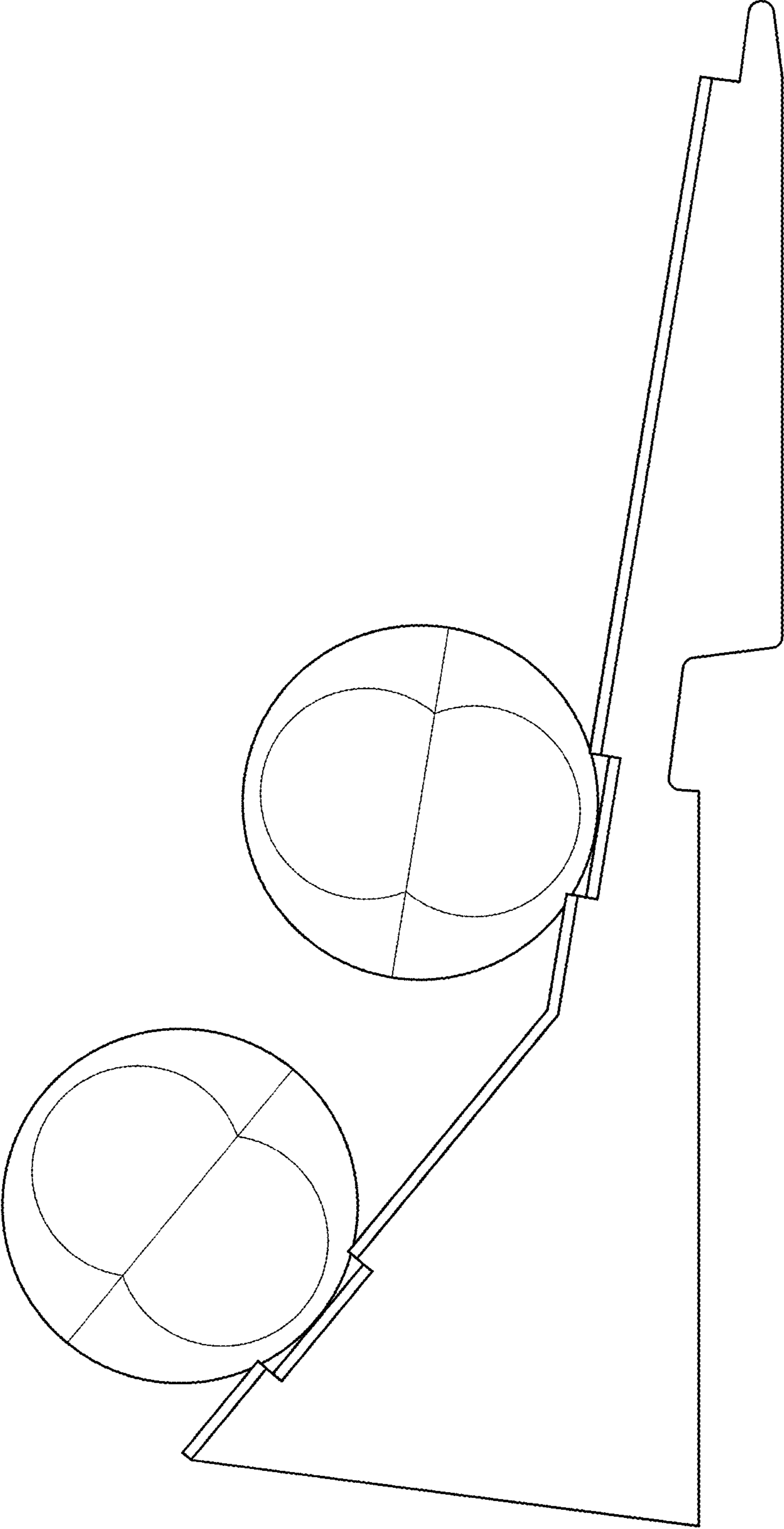


FIG. 5

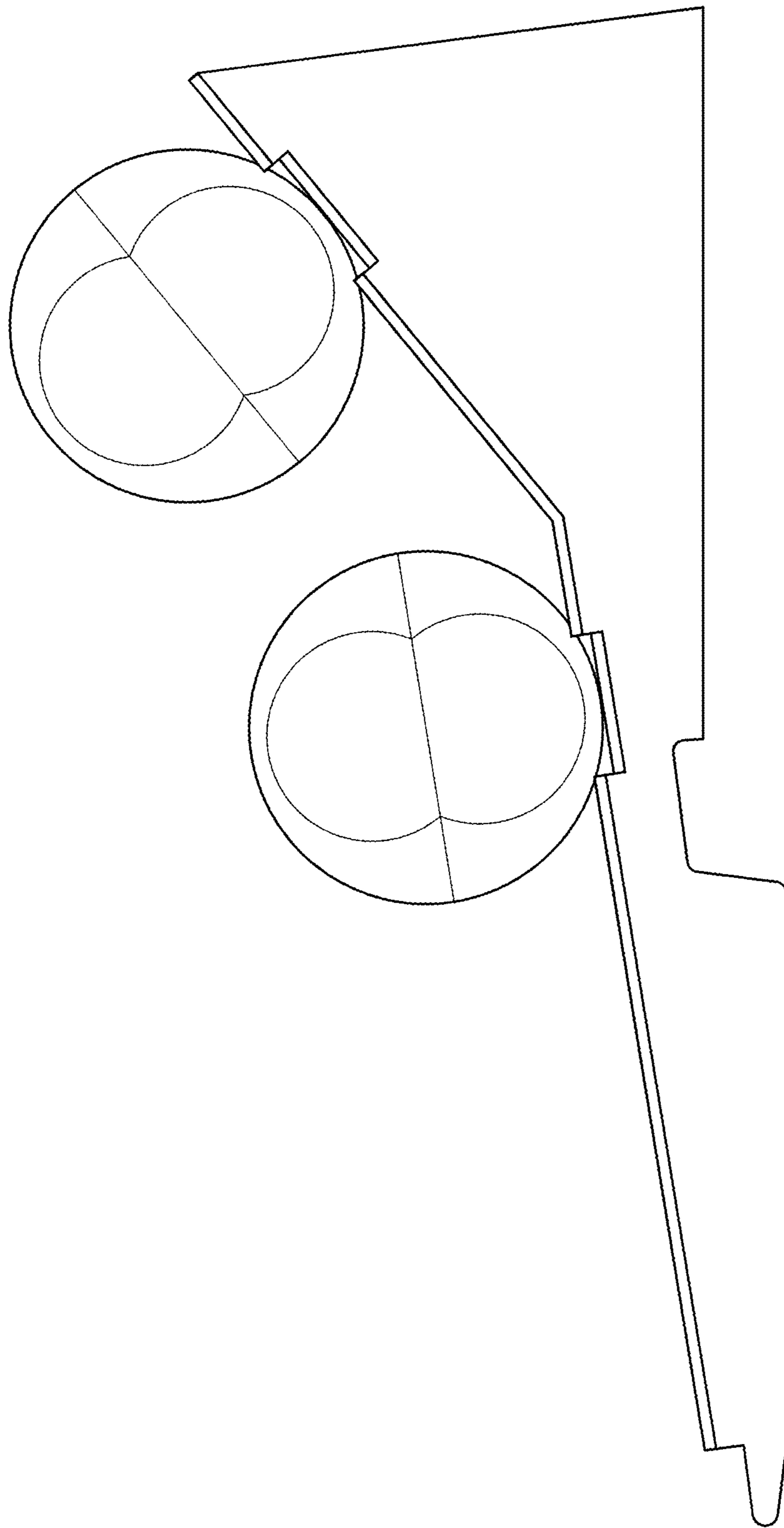


FIG. 6

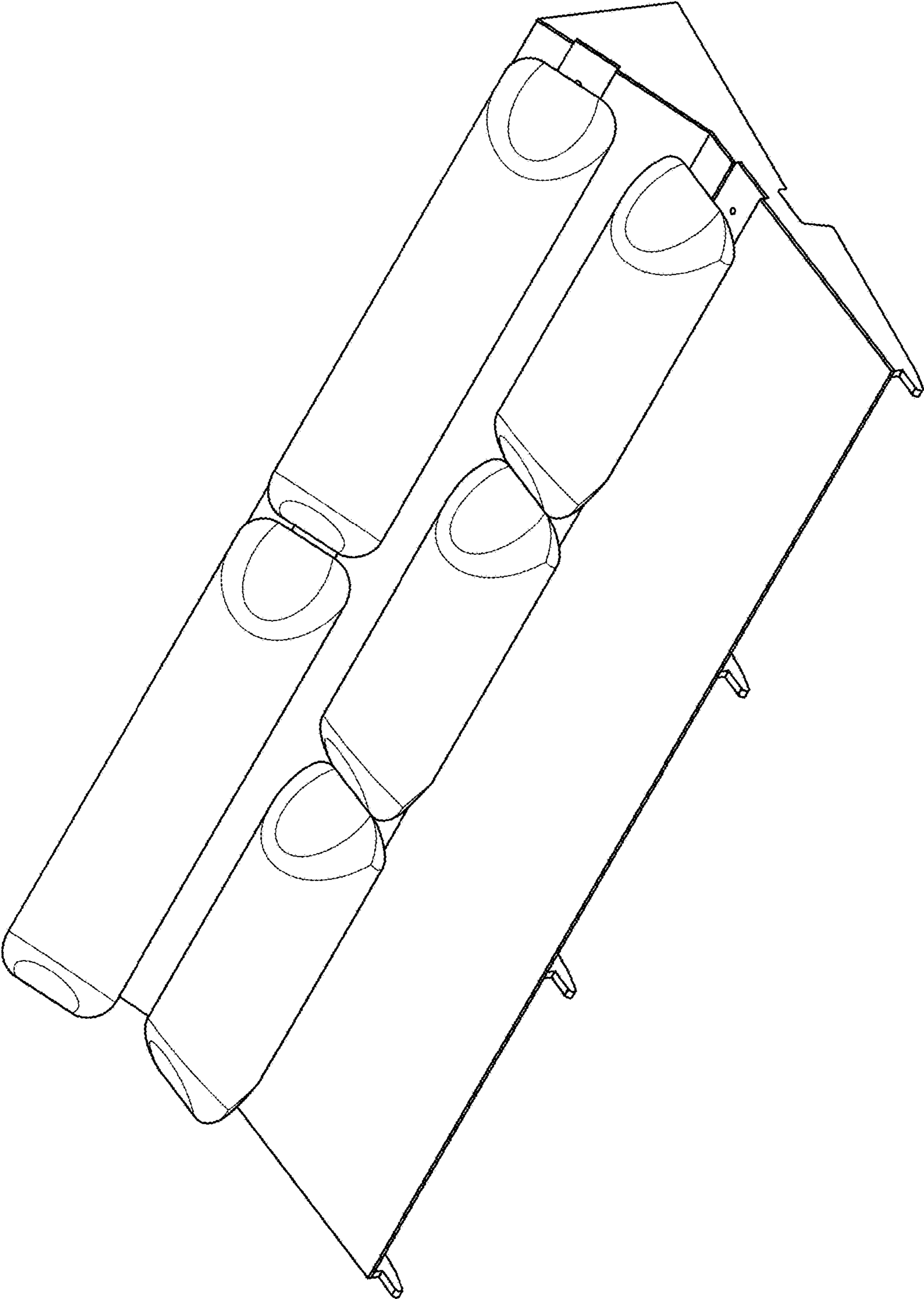


FIG. 7

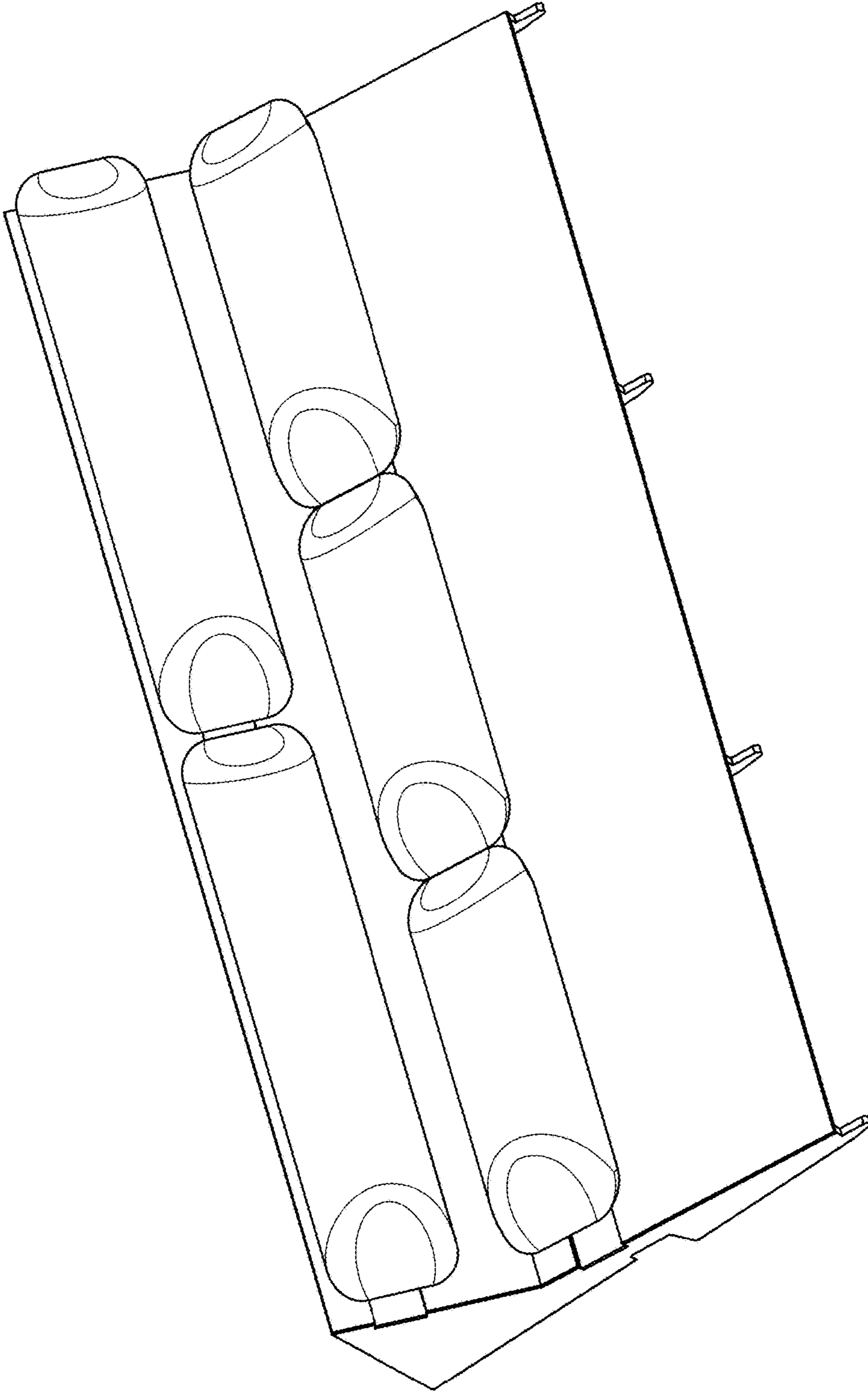


FIG. 8

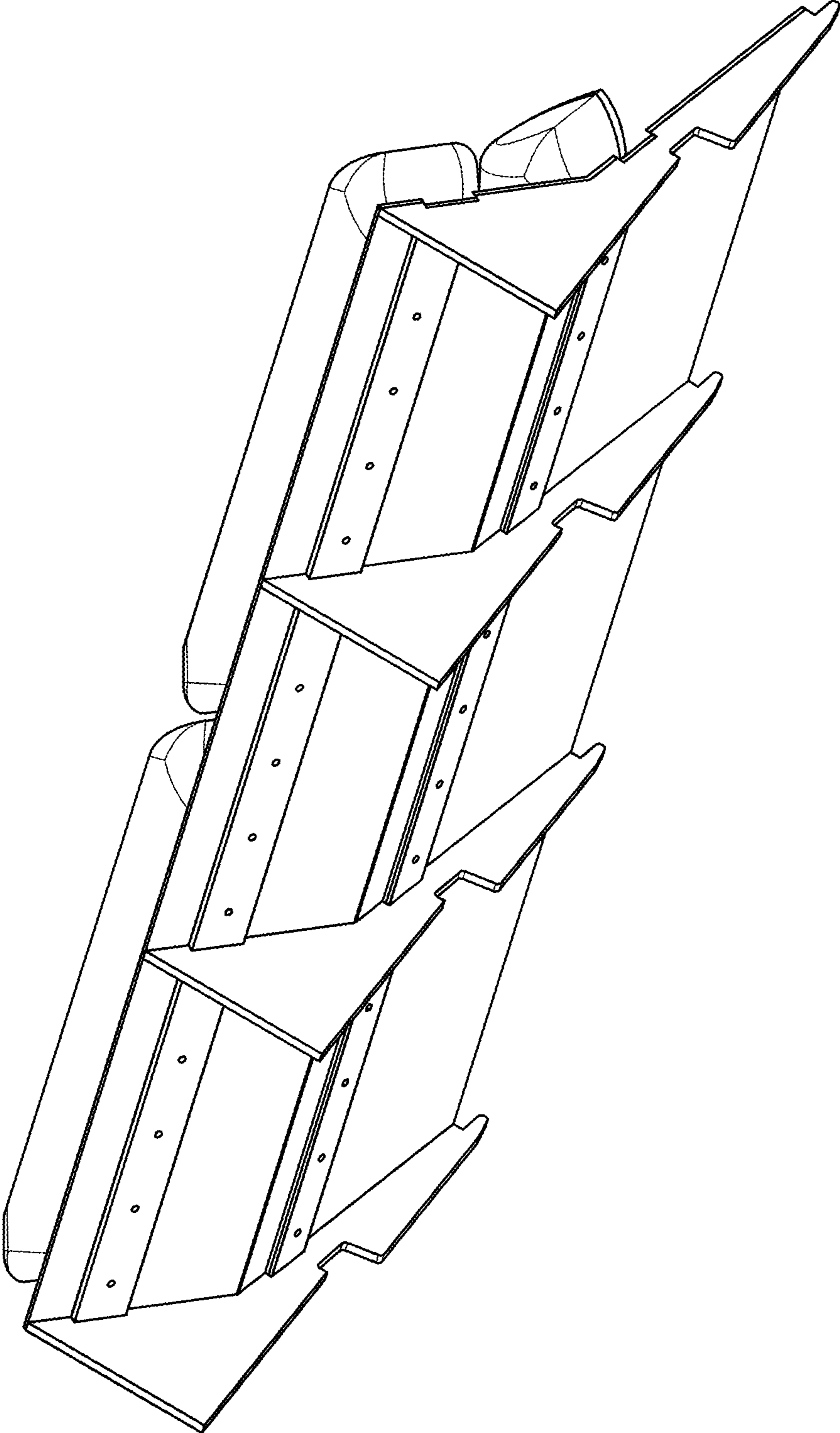


FIG. 9