



US00D837475S

(12) **United States Design Patent** (10) **Patent No.:** **US D837,475 S**
Yeo (45) **Date of Patent:** **** Jan. 1, 2019**

(54) **CART** 5,911,424 A * 6/1999 Rovinsky B62B 5/06
280/655.1
(71) Applicant: **Sin Dong Yeo**, Daegu (KR) D523,201 S * 6/2006 Widmer D34/12
D779,145 S * 2/2017 Thuma D34/17
(72) Inventor: **Sin Dong Yeo**, Daegu (KR) D787,770 S * 5/2017 Thuma D34/17
2014/0183832 A1* 7/2014 Wang B62B 3/022
280/39
(**) Term: **15 Years** 2016/0009132 A1* 1/2016 Spektor B60B 33/0076
280/79.11

(21) Appl. No.: **29/642,516**

(22) Filed: **Mar. 29, 2018**

Related U.S. Application Data

(63) Continuation-in-part of application No. 29/541,636,
filed on Oct. 6, 2015.

(51) **LOC (11) Cl.** **12-02**

(52) **U.S. Cl.**
USPC **D34/17**

(58) **Field of Classification Search**

USPC D34/12-15, 17, 18, 20-23, 26, 27;
280/39, 641, 655.1, 79.11, 47.34

CPC B62B 3/02; B62B 3/1476
See application file for complete search history.

(56) **References Cited**

U.S. PATENT DOCUMENTS

D396,918 S * 8/1998 Golichowski D34/12
D404,871 S * 1/1999 Golichowski D34/17

* cited by examiner

Primary Examiner — Cynthia Ramirez

Assistant Examiner — Gino Colan

(74) *Attorney, Agent, or Firm* — Patent Office of Dr.
Chung Park

(57) **CLAIM**

The ornamental design for a cart, as shown and described.

DESCRIPTION

FIG. 1 is a perspective view of a cart showing my new design.

FIG. 2 is a front elevation view of the cart.

FIG. 3 is a rear elevation view of the cart.

FIG. 4 is a left side elevation view of the cart.

FIG. 5 is a right side elevation view of the cart.

FIG. 6 is a top plan view of the cart; and,

FIG. 7 is a bottom plan view of the cart.

1 Claim, 7 Drawing Sheets

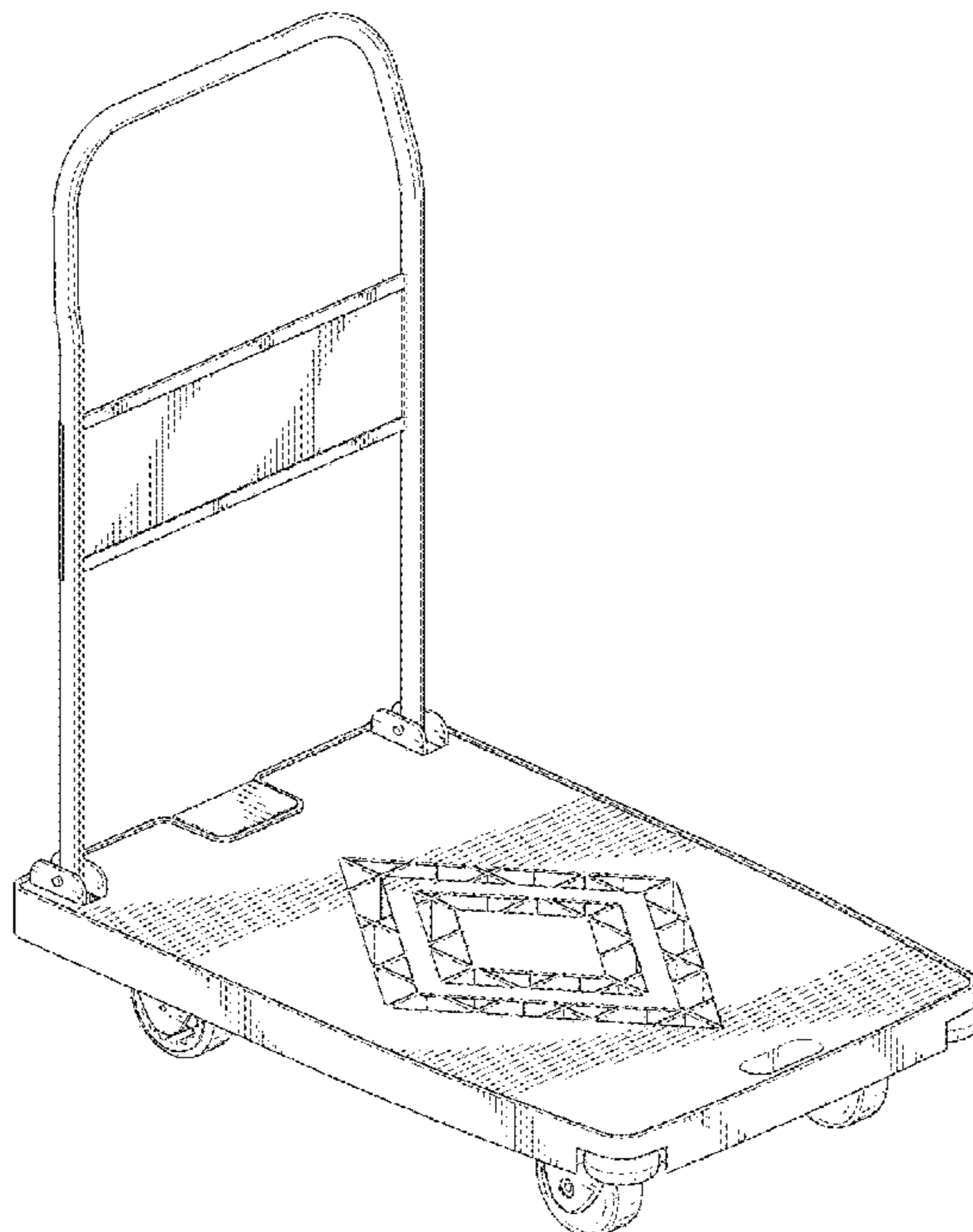


FIG. 1

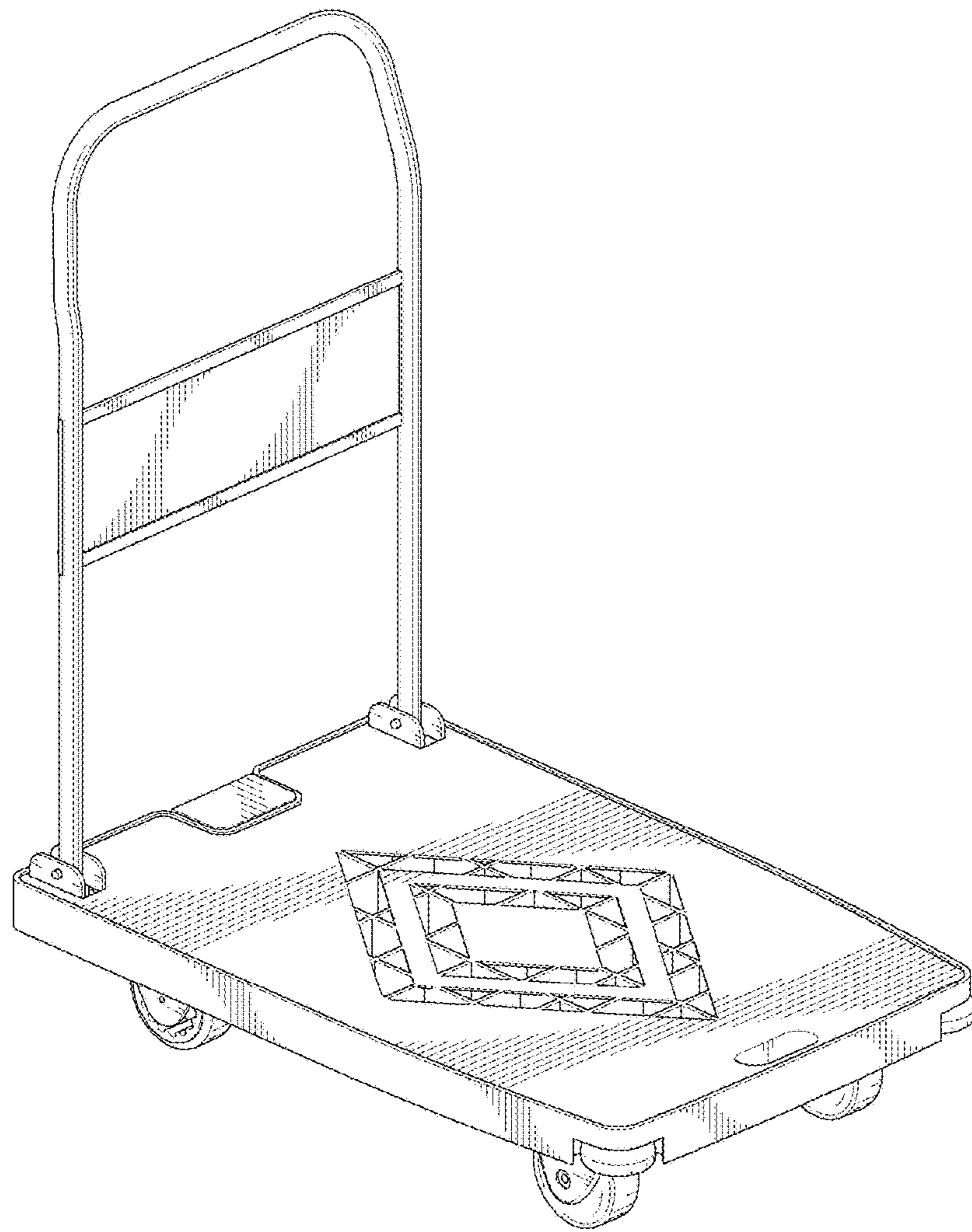


FIG. 2

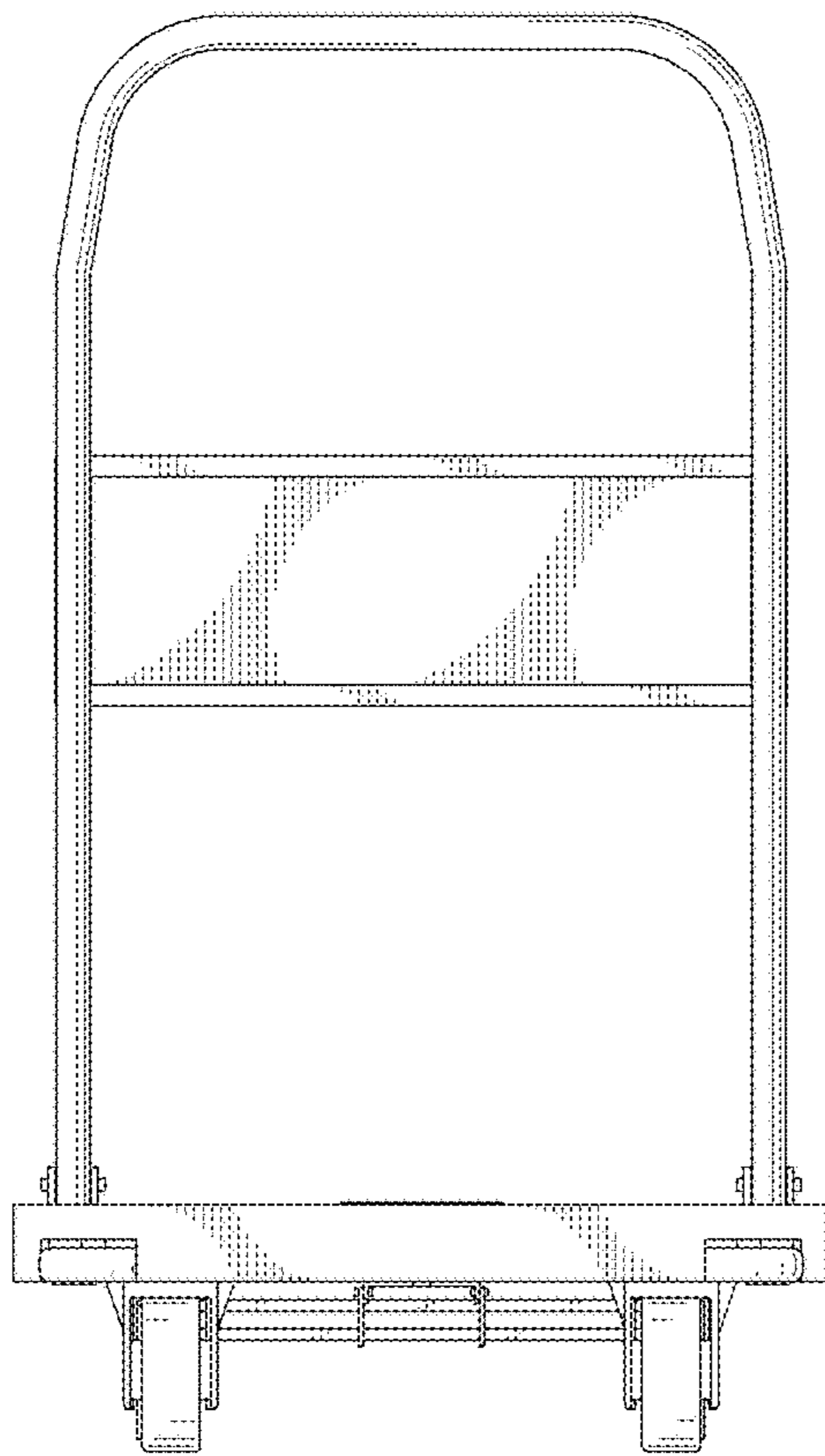


FIG. 3

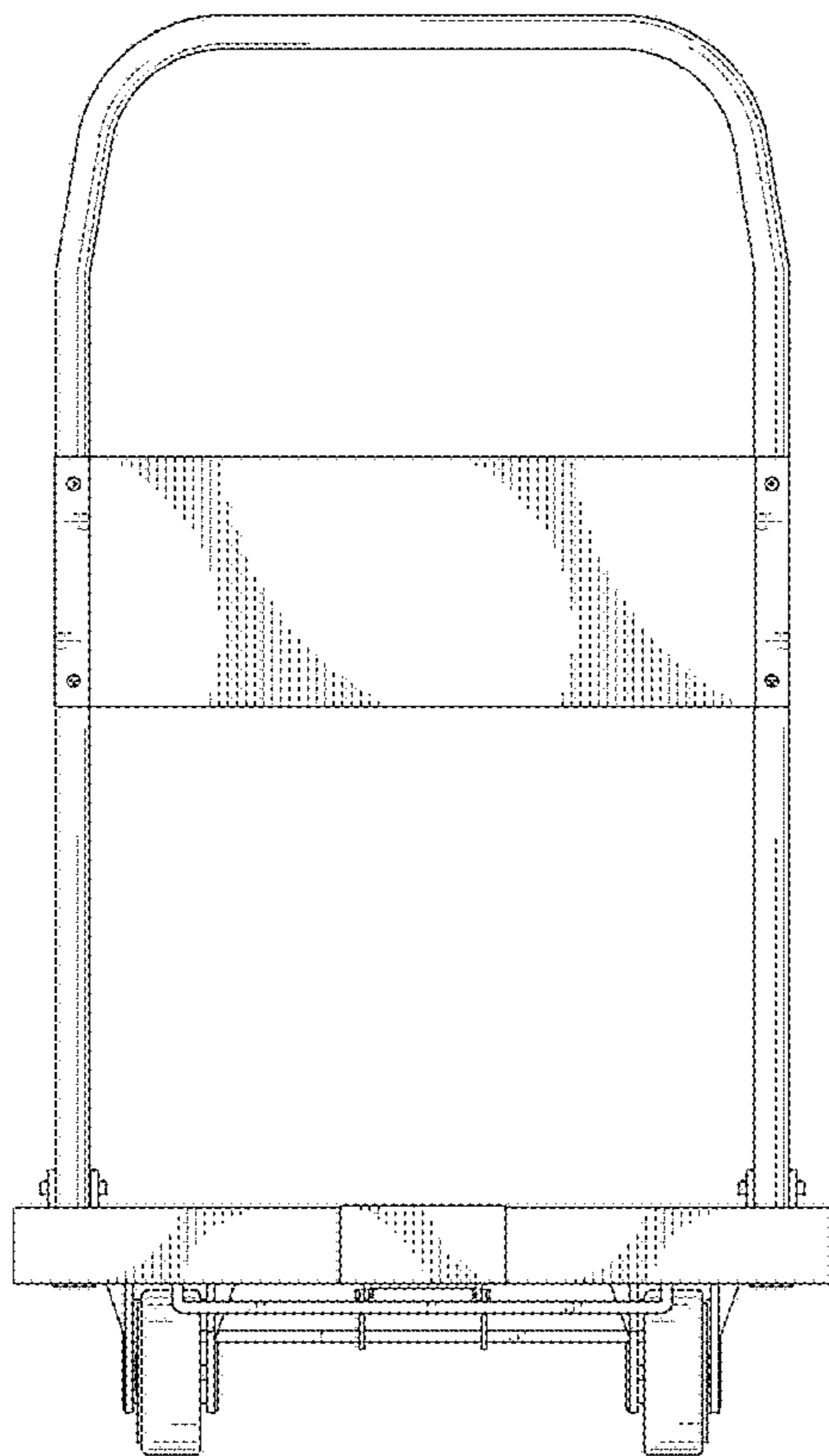


FIG. 4

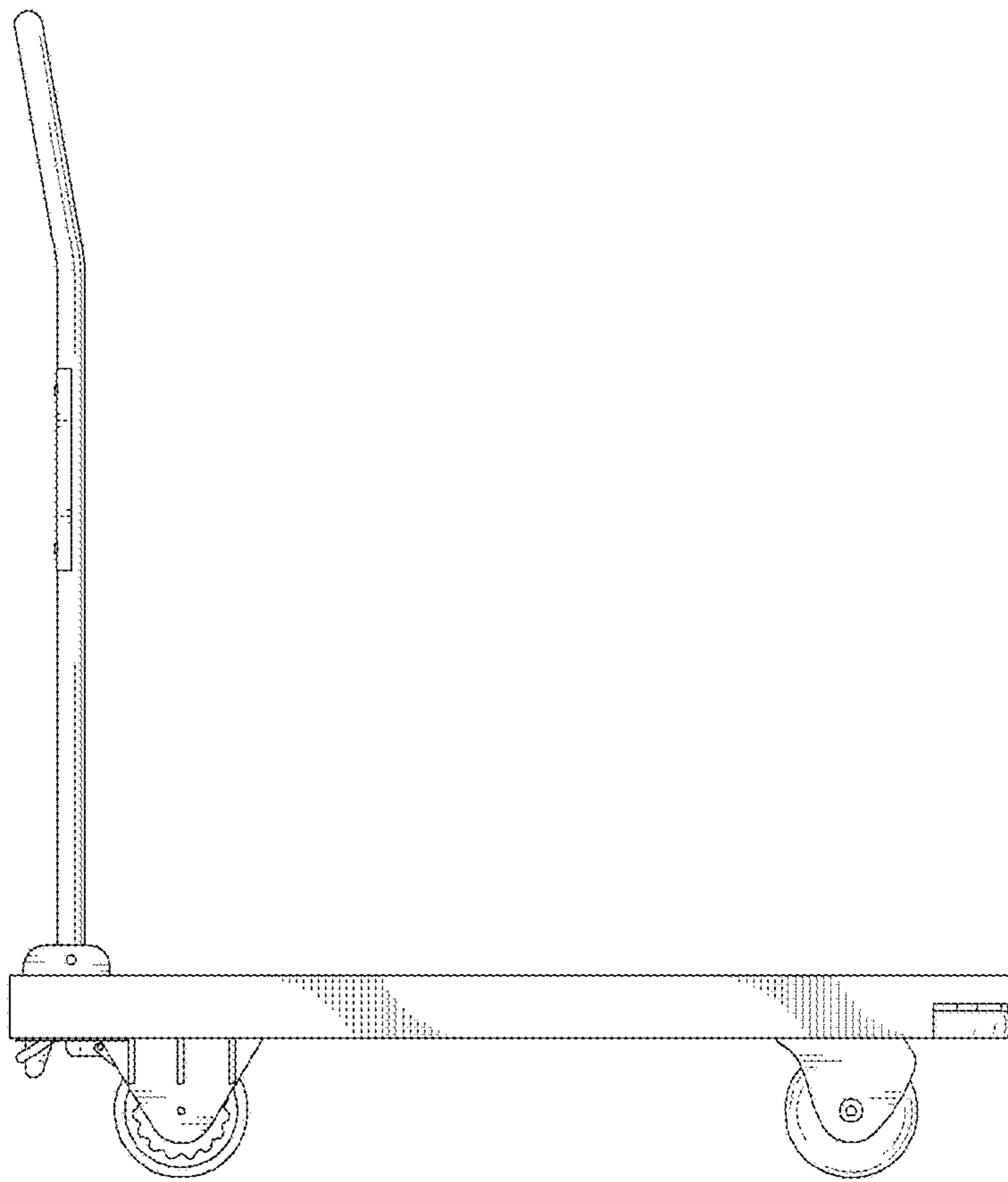


FIG. 5

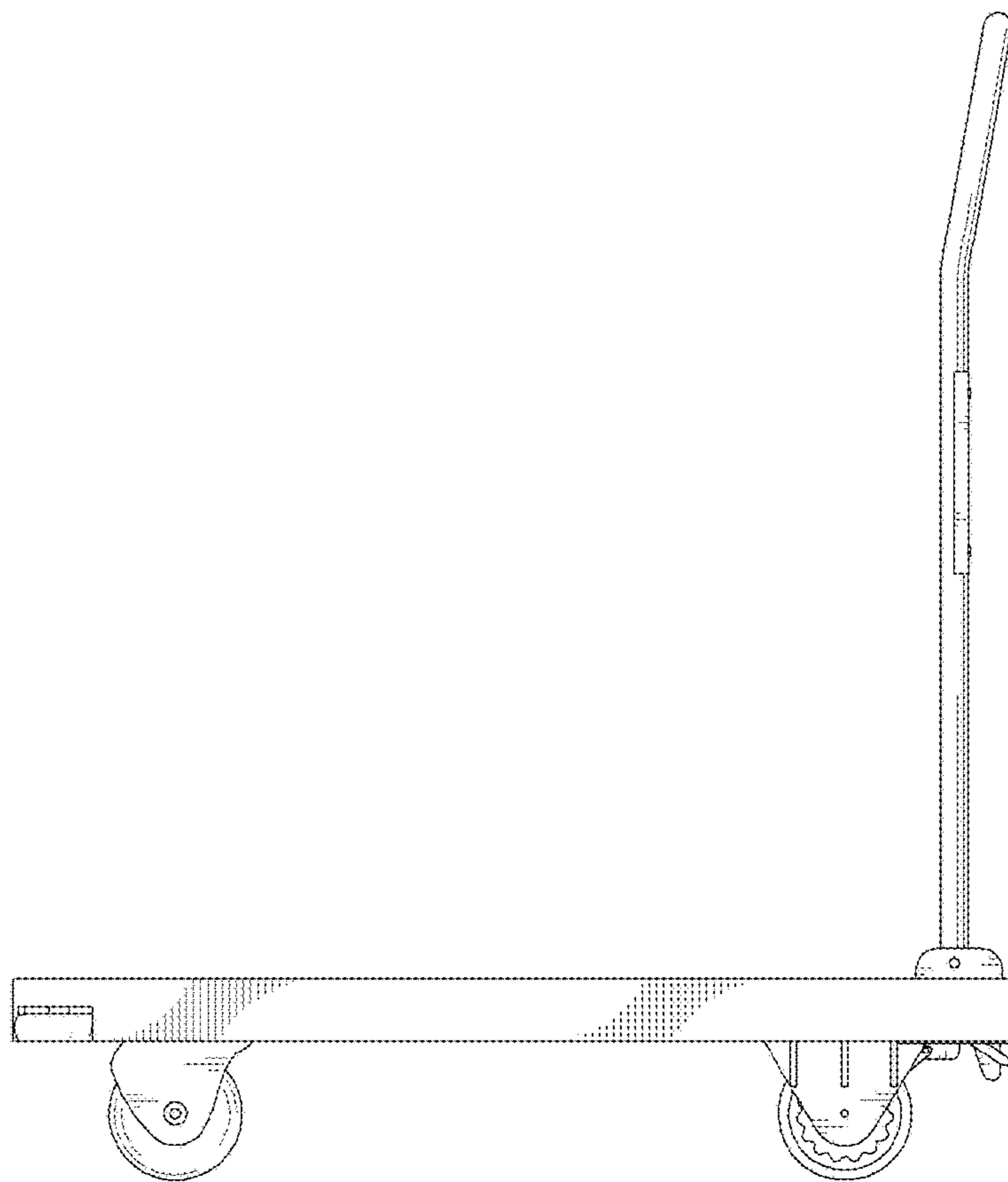


FIG. 6

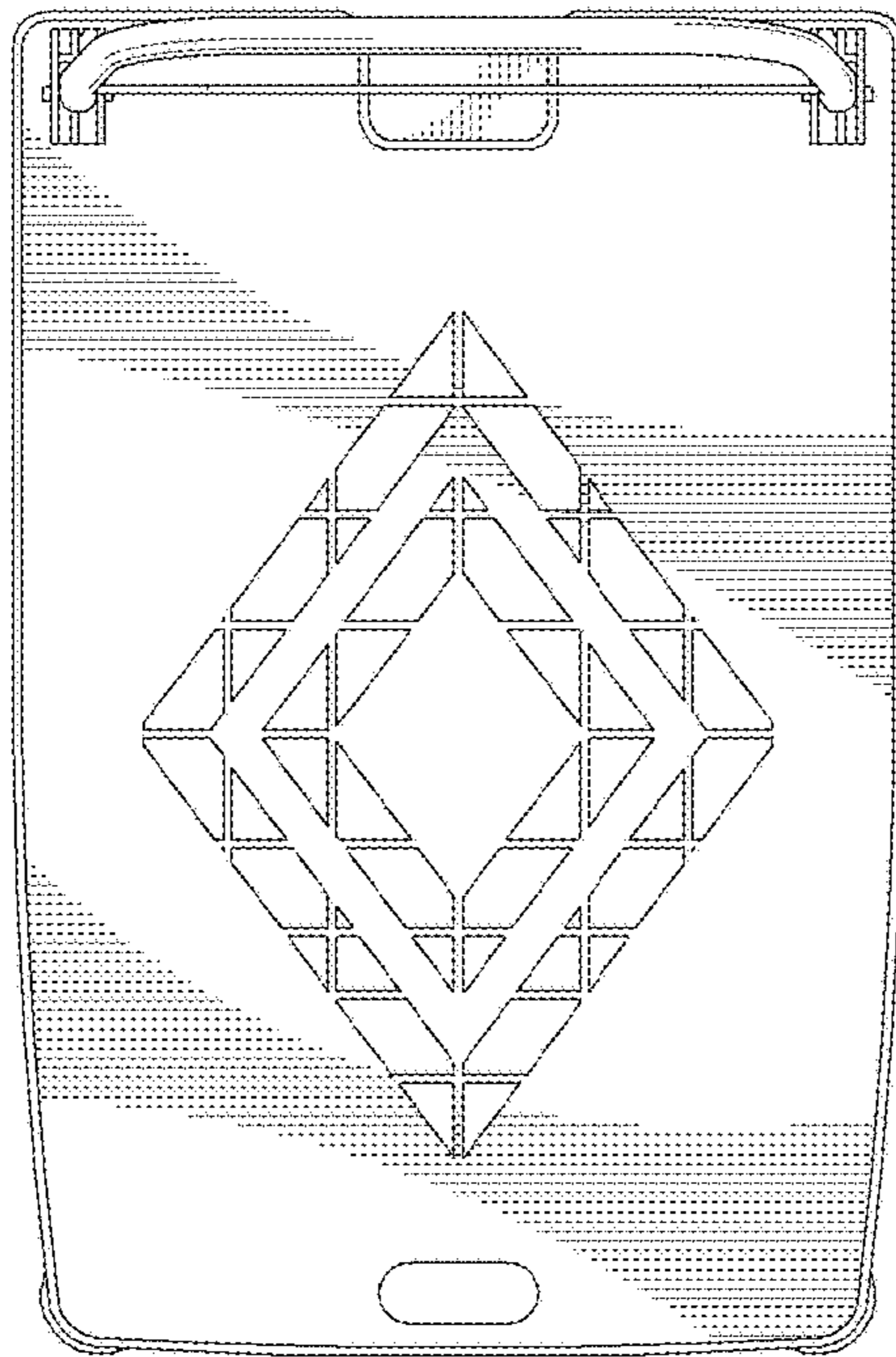


FIG. 7

