



US00D837469S

(12) **United States Design Patent** (10) **Patent No.:** **US D837,469 S**  
**Johnson et al.** (45) **Date of Patent:** **\*\* Jan. 1, 2019**

(54) **VACUUM CLEANER**  
(71) Applicant: **SHARKNINJA OPERATING LLC**,  
Newton, MA (US)  
(72) Inventors: **Owen Rhys Alban Johnson**, Needham,  
MA (US); **Luis A. Canas**, Stoughton,  
MA (US)  
(73) Assignee: **SharkNinja Operating LLC**,  
Needham, MA (US)

D635,728 S \* 4/2011 Fjellman ..... D32/22  
8,037,571 B2 10/2011 Butts et al.  
8,316,503 B2 11/2012 Follows et al.  
8,402,601 B2 3/2013 Fahlstrom  
D682,496 S \* 5/2013 Bassett ..... D32/22  
D694,481 S \* 11/2013 Grey ..... D32/22  
8,631,541 B2 1/2014 Tran  
8,776,311 B2 7/2014 Genn et al.  
8,782,851 B2 7/2014 Follows et al.  
8,806,710 B2 8/2014 Follows et al.  
D722,211 S \* 2/2015 Thackray ..... D32/22  
D772,510 S \* 11/2016 Palladino ..... D32/31

(Continued)

(\*\*) Term: **15 Years**

**FOREIGN PATENT DOCUMENTS**

(21) Appl. No.: **29/571,951**  
(22) Filed: **Jul. 22, 2016**  
(51) **LOC (11) Cl.** ..... **15-05**  
(52) **U.S. Cl.**  
USPC ..... **D32/22**  
(58) **Field of Classification Search**  
USPC ..... D32/17, 21, 22, 31, 34  
CPC . A47L 9/32; A47L 9/325; A47L 9/327; A47L  
9/20; A47L 5/28; A47L 5/30; A47L 5/34  
See application file for complete search history.

JP H10201682 A 8/1998  
WO 2014131106 A1 9/2014

*Primary Examiner* — Ruth McInroy  
(74) *Attorney, Agent, or Firm* — Grossman Tucker  
Perreault & Pflieger, PLLC

(57) **CLAIM**

The ornamental design of a vacuum cleaner, as shown and described.

**DESCRIPTION**

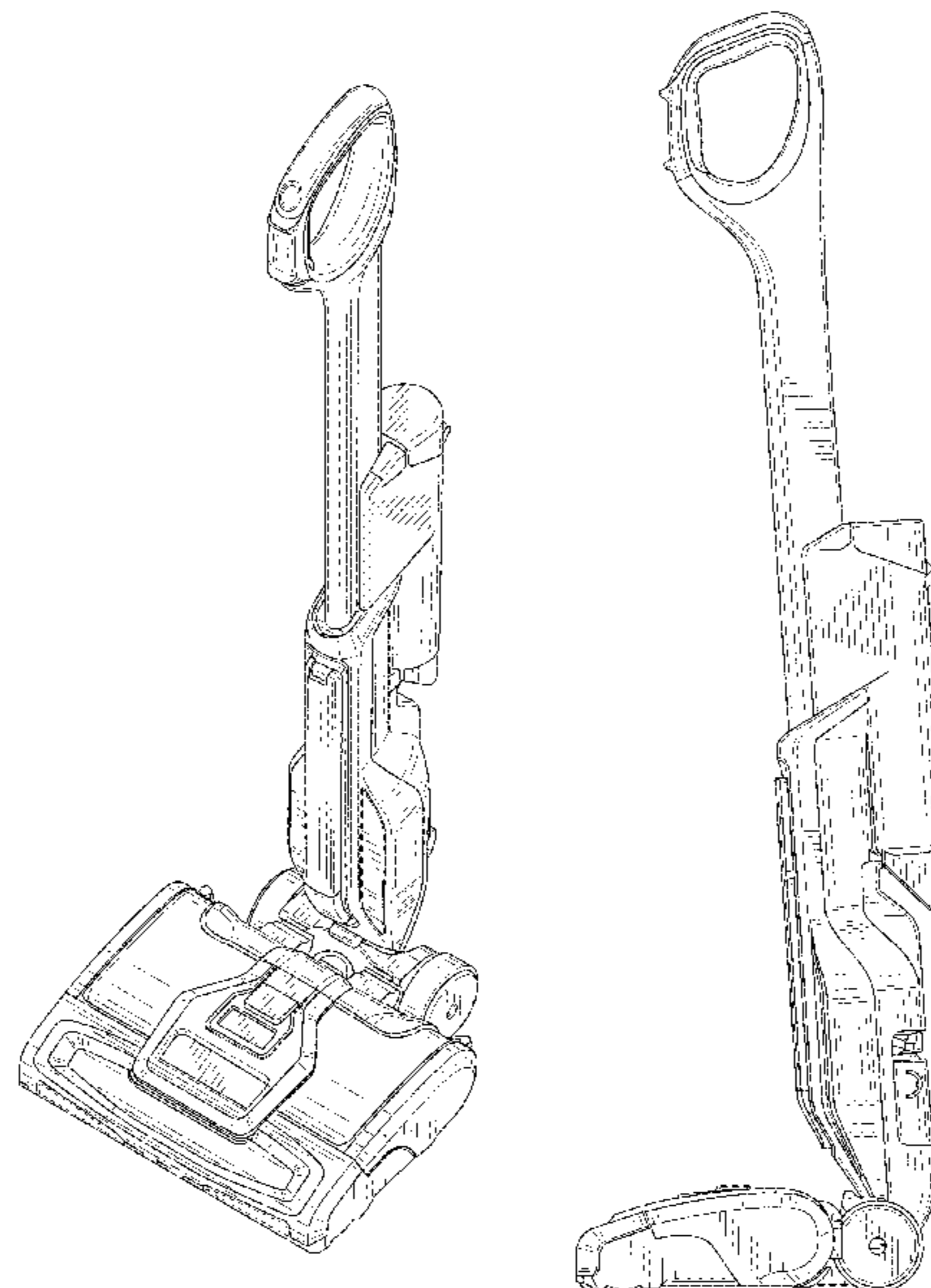
FIG. 1 is a top perspective view of a vacuum cleaner showing my new design;  
FIG. 2 is a front view of the vacuum cleaner in FIG. 1;  
FIG. 3 is a rear view of the vacuum cleaner in FIG. 1;  
FIG. 4 is a left side view of the vacuum cleaner in FIG. 1;  
FIG. 5 is a right side view of the vacuum cleaner in FIG. 1;  
FIG. 6 is a top view of the vacuum cleaner in FIG. 1; and,  
FIG. 7 is a bottom view of the vacuum cleaner in FIG. 1.  
The broken lines are included for the purpose of illustrating the unclaimed portions of the article and form no part of the claim.

(56) **References Cited**

**U.S. PATENT DOCUMENTS**

2,411,488 A 11/1946 White  
D359,604 S \* 6/1995 Sovis ..... D32/22  
5,765,258 A 6/1998 Melito et al.  
6,012,200 A 1/2000 Murphy et al.  
6,226,832 B1 5/2001 McCormick  
D507,387 S \* 7/2005 Jacobs ..... D32/22  
7,013,528 B2 3/2006 Parker et al.  
D521,699 S \* 5/2006 Greene ..... D32/22  
7,200,893 B2 4/2007 Gerber et al.  
7,316,050 B2 1/2008 Worwag  
7,329,294 B2 2/2008 Conrad  
7,690,079 B2 4/2010 Boddy et al.

**1 Claim, 6 Drawing Sheets**



(56)

**References Cited**

U.S. PATENT DOCUMENTS

9,545,180 B2 \* 1/2017 Conrad ..... A47L 5/30  
D791,421 S \* 7/2017 Wu ..... D32/31  
2010/0306958 A1 12/2010 Follows et al.  
2011/0296648 A1 12/2011 Kah, Jr.  
2013/0212831 A1 8/2013 Follows et al.

\* cited by examiner

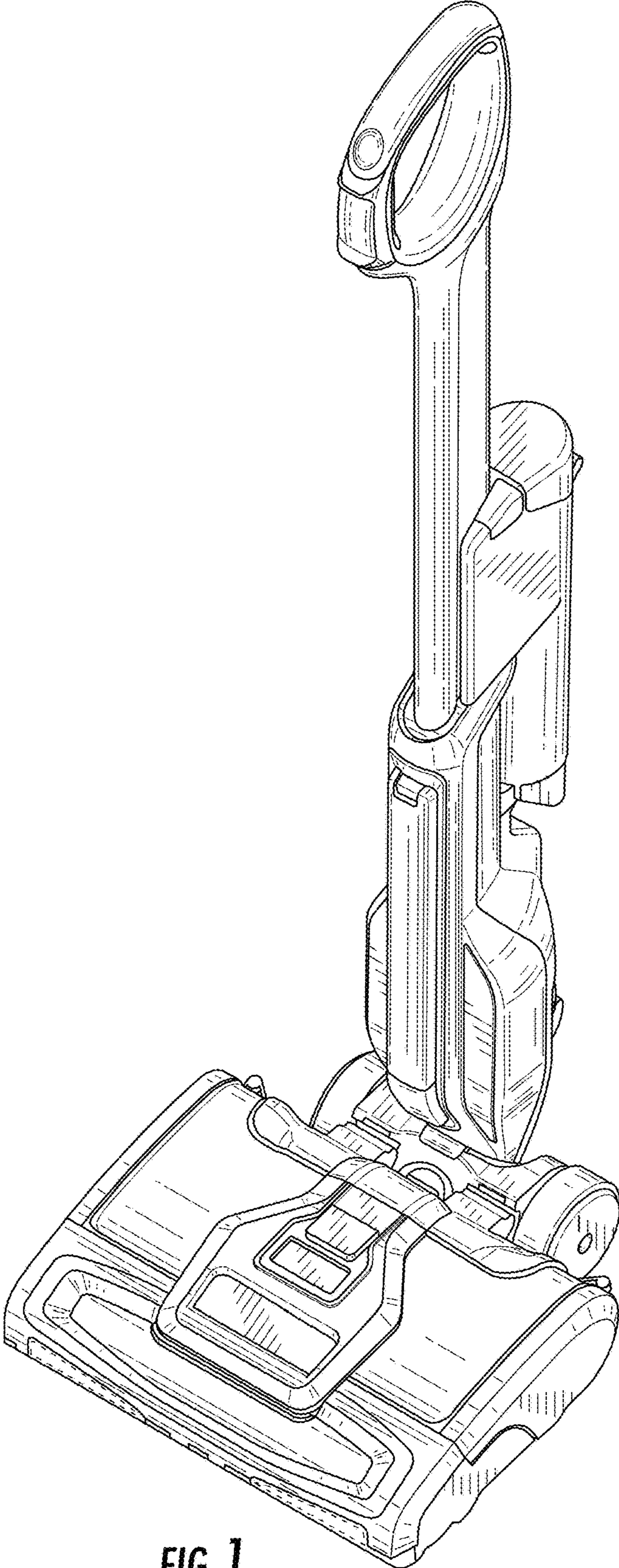


FIG. 1

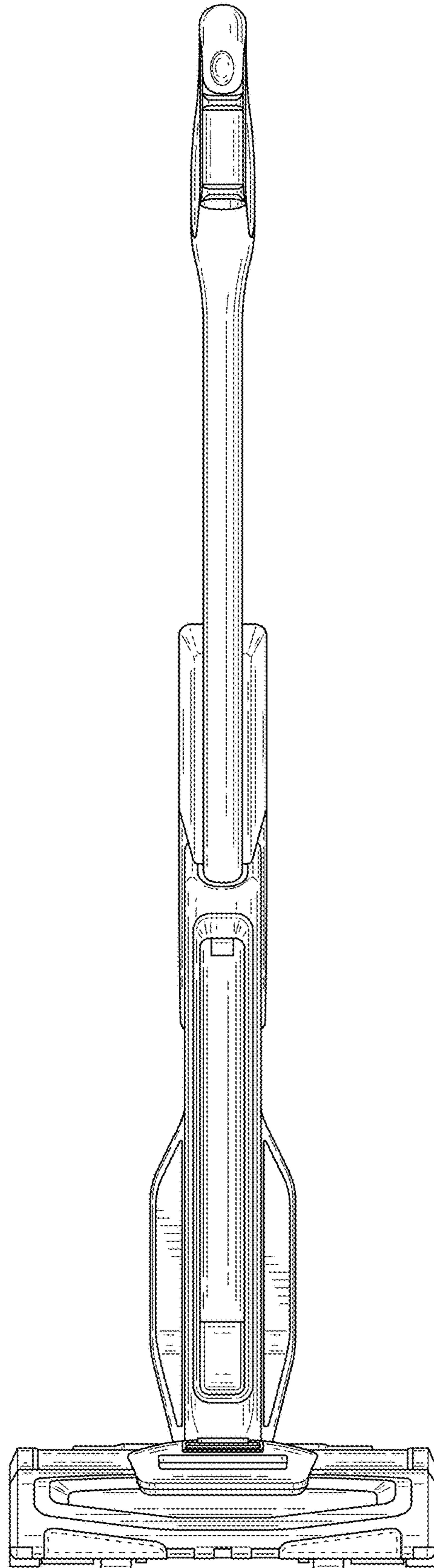


FIG. 2



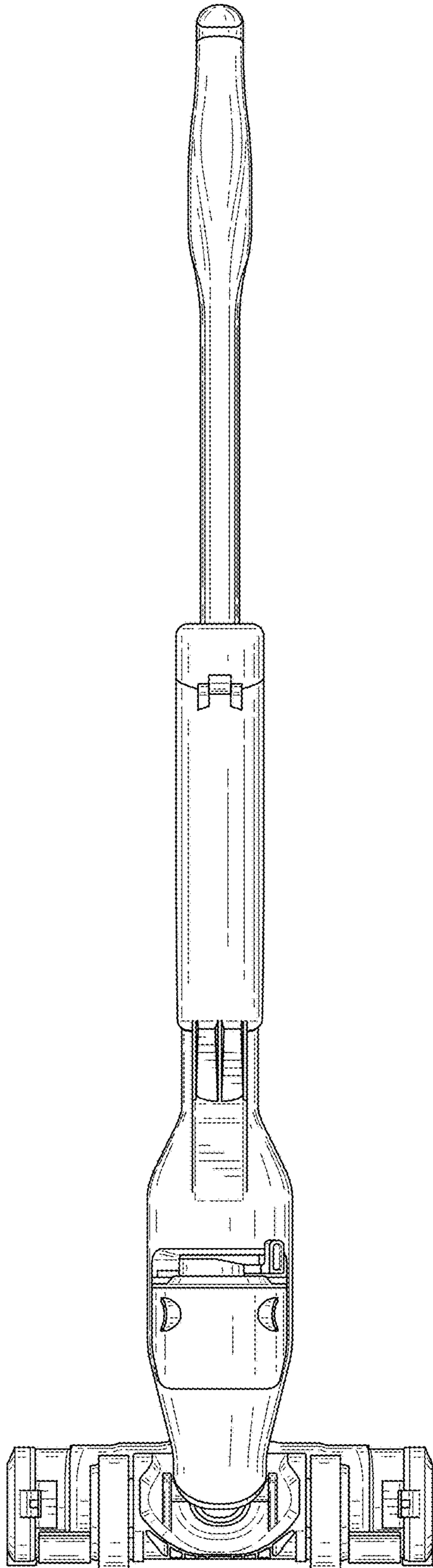


FIG. 3

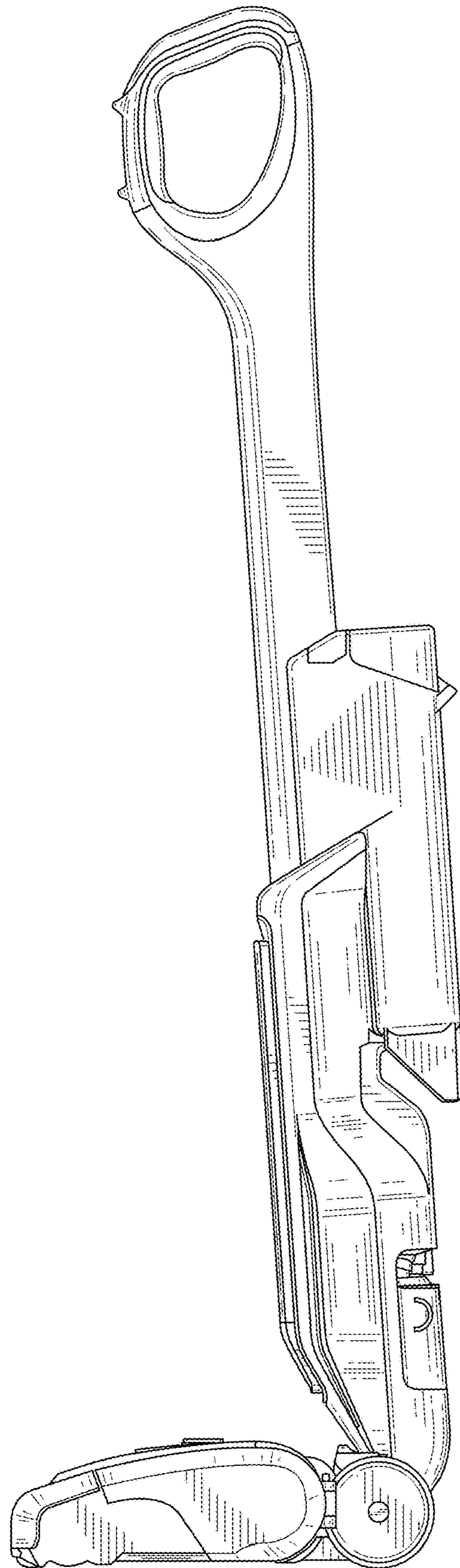


FIG. 4

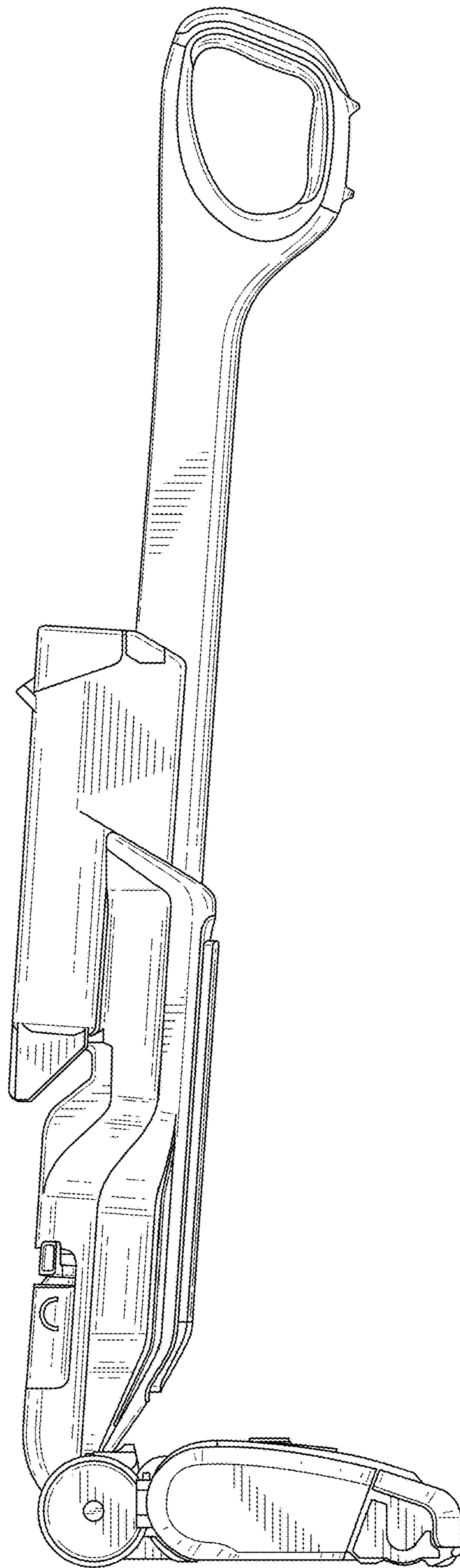
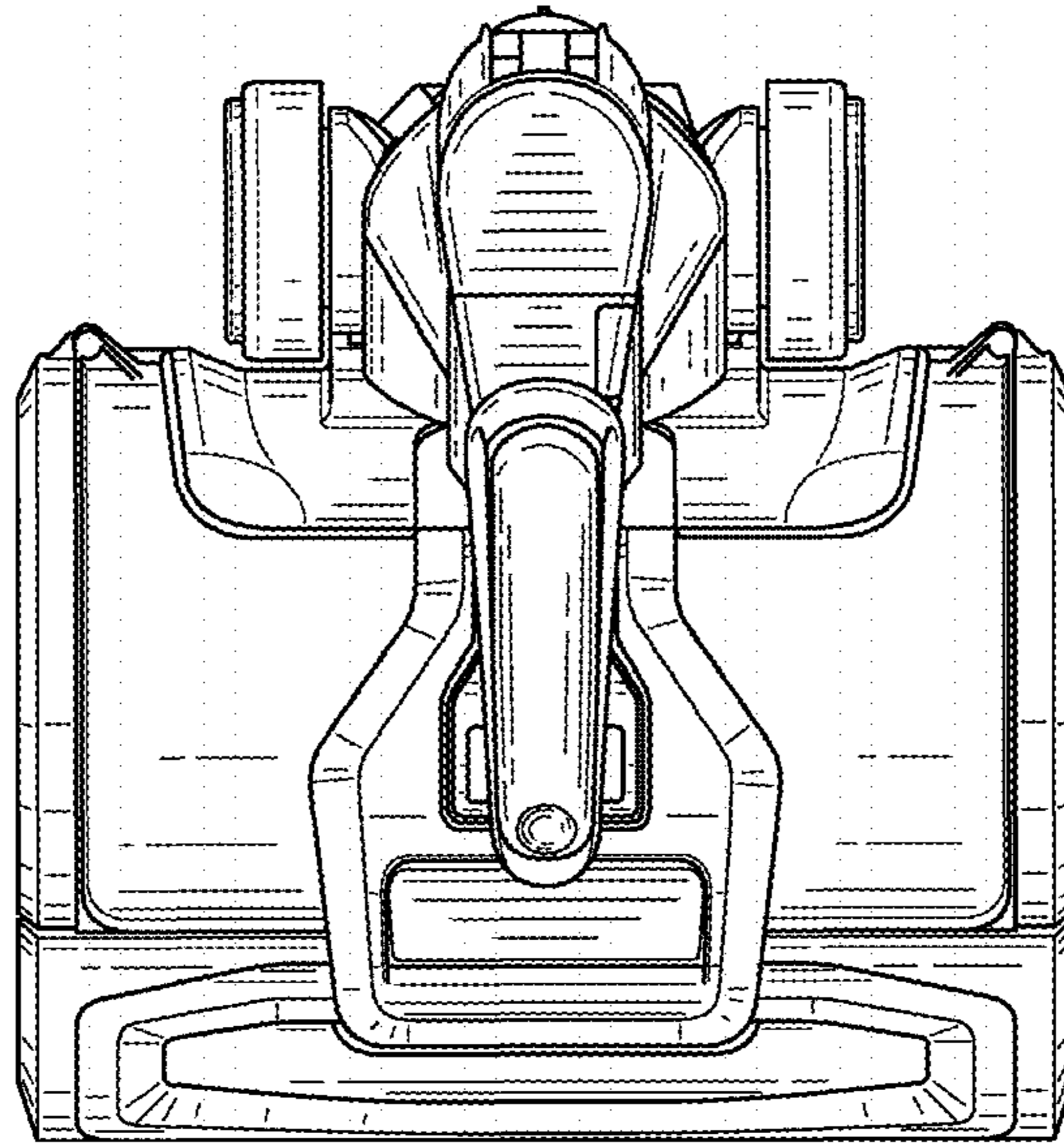
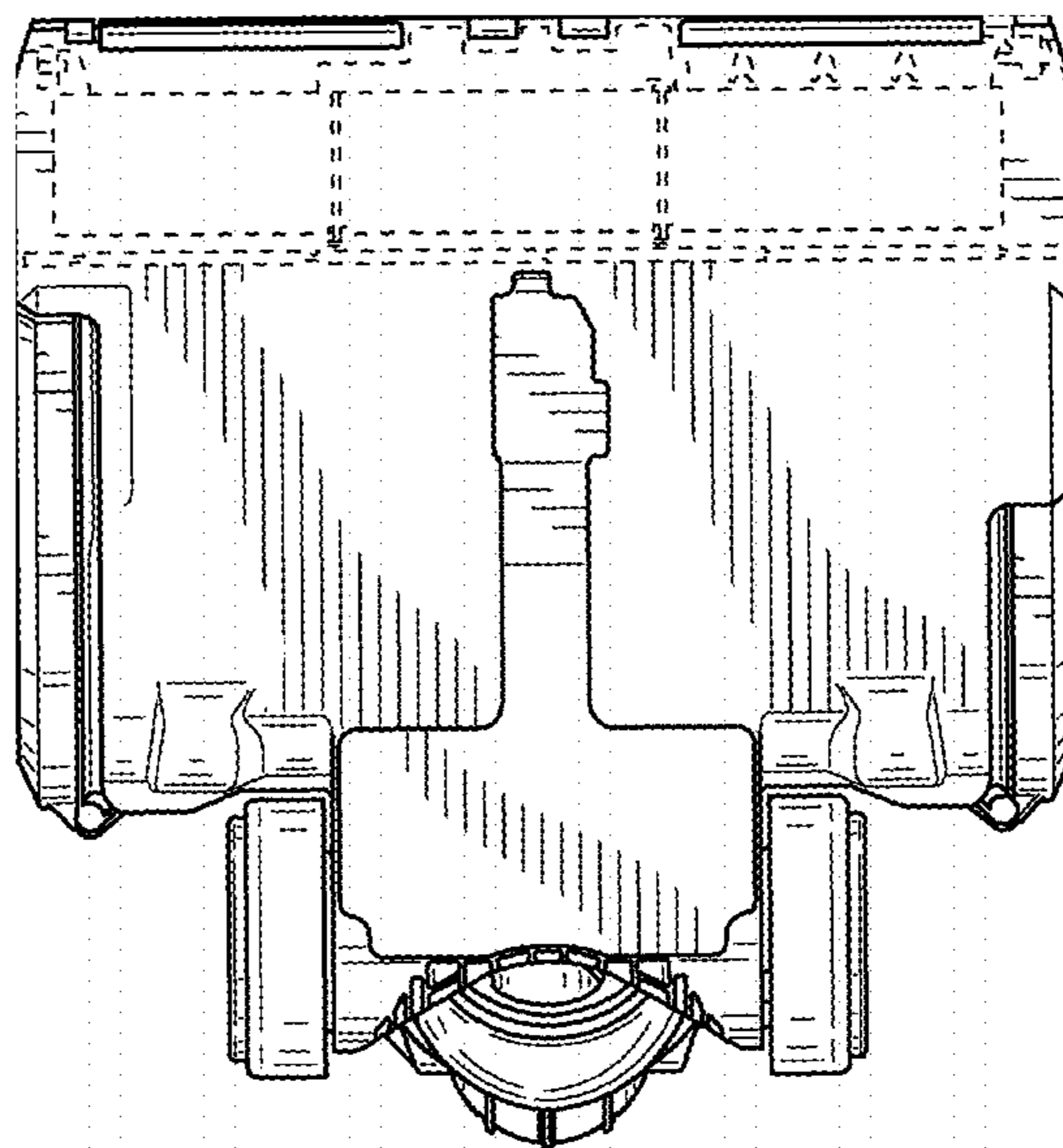


FIG. 5



**FIG. 6**



**FIG. 7**