



US00D837468S

(12) **United States Design Patent**
Jones

(10) **Patent No.:** **US D837,468 S**
(45) **Date of Patent:** **** Jan. 1, 2019**

(54) **FLOW RESTRICTOR PLATE FOR THE INLET OF A CAR WASH DRYER BLOWER**

(71) Applicant: **Mark T. Jones**, Troy, MI (US)

(72) Inventor: **Mark T. Jones**, Troy, MI (US)

(**) Term: **15 Years**

(21) Appl. No.: **29/590,219**

(22) Filed: **Jan. 9, 2017**

Related U.S. Application Data

(62) Division of application No. 13/566,158, filed on Aug. 3, 2012.

(51) **LOC (11) Cl.** **15-05**

(52) **U.S. Cl.**
USPC **D32/4**

(58) **Field of Classification Search**
USPC D32/4, 25; 15/97.3, 53.1, 53.2, 53.3, 15/316.1; 134/45, 123, 56 R, 58 R; 248/637, 672
CPC .. B60S 3/002; B60S 3/04; B60S 3/063; B60S 3/042; B60S 3/06; A63H 17/44; A46B 11/066
See application file for complete search history.

(56) **References Cited**

U.S. PATENT DOCUMENTS

- 3,279,093 A * 10/1966 Dutton B60S 3/002 34/229
- 3,765,043 A * 10/1973 Lesser B60S 3/04 15/97.3
- 3,840,931 A * 10/1974 Bivens B60S 3/063 15/53.3
- 3,934,297 A * 1/1976 Hanna B60S 3/042 15/53.3
- 3,939,516 A * 2/1976 Hanna B60S 3/042 15/53.3

- 3,989,391 A * 11/1976 Thorner A46B 11/066 401/43
- 3,991,433 A * 11/1976 Cirino B60S 3/06 15/312.1
- 4,039,014 A * 8/1977 Sellars B60S 3/06 15/53.3
- 4,178,648 A * 12/1979 Gougoulas B60S 3/002 15/97.3
- 4,356,657 A * 11/1982 Goldfarb A63H 33/3061 446/236
- D298,373 S * 11/1988 Nelson D32/4
- 4,969,272 A * 11/1990 Schleeter B60S 3/002 15/312.2
- D314,845 S * 2/1991 Seamster, Jr. D32/4
- D327,130 S * 6/1992 Belanger D25/127
- 5,148,570 A * 9/1992 Crotts B60S 3/04 134/123
- 5,160,430 A * 11/1992 Gasser B01D 61/12 134/109

(Continued)

Primary Examiner — Michelle E. Wilson

(74) *Attorney, Agent, or Firm* — John R. Benefiel

(57) **CLAIM**

The ornamental design for flow restrictor plate for the inlet of a car wash dryer blower, as shown and described.

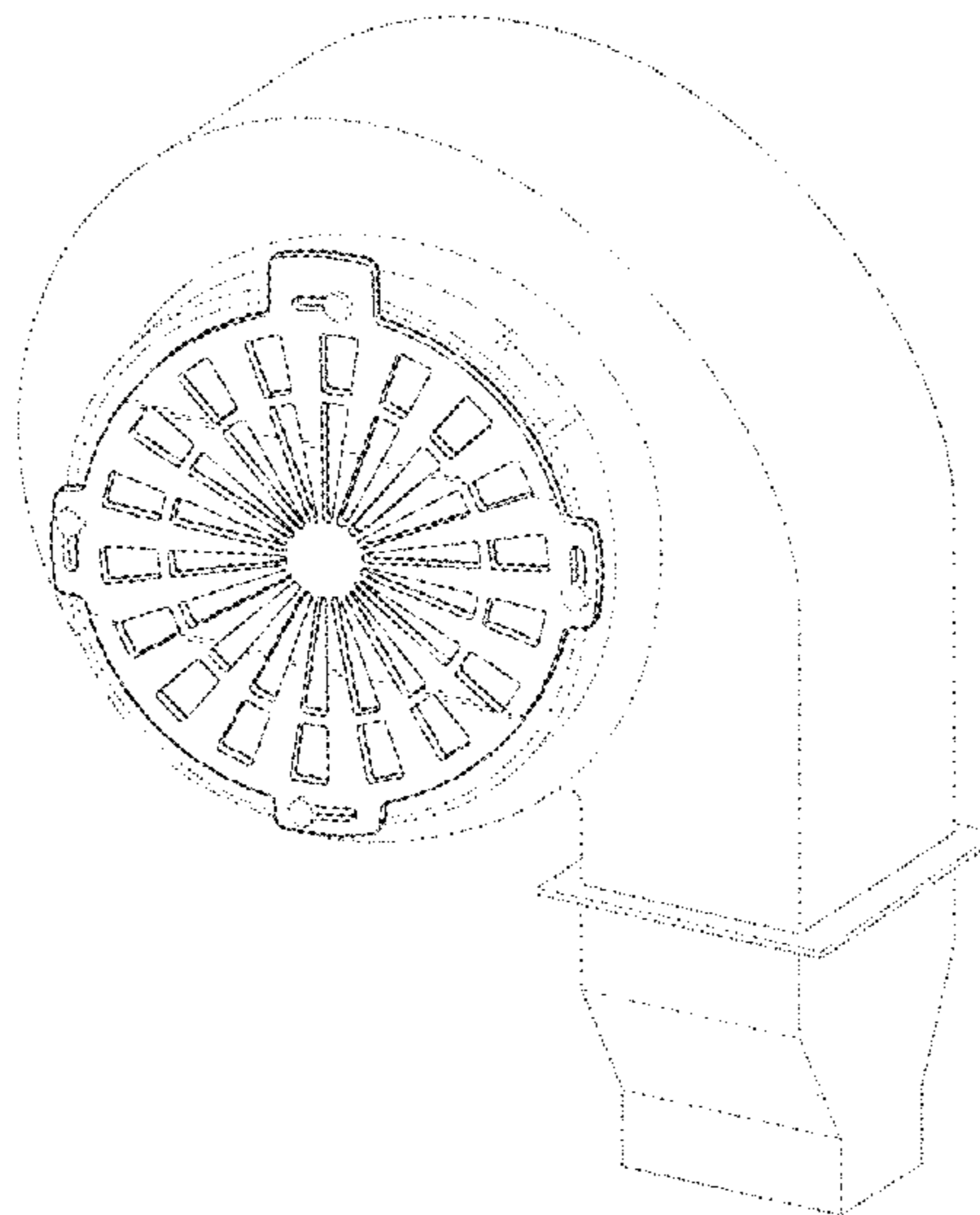
DESCRIPTION

FIG. 1 is a pictorial view of flow restrictor plate for the inlet of a car wash dryer blower according to the invention. The blower housing shown in broken lines and not forming a part of the invention.

FIG. 2 is a front view of the flow restrictor plate for the inlet of a car wash dryer blower shown in FIG. 1, the reverse side being the same; and,

FIG. 3 is a side view of the flow restrictor plate for the inlet of a car wash dryer blower shown FIGS. 1 and 2, the reverse side and top and bottom views thereof being the same.

1 Claim, 3 Drawing Sheets



(56)

References Cited

U.S. PATENT DOCUMENTS

5,226,436 A * 7/1993 Kirby B60S 3/04
134/123
D344,345 S * 2/1994 Goldberg D25/33
5,339,478 A * 8/1994 Schleeter B60S 3/06
15/97.3
5,556,535 A * 9/1996 Van Der Est B01D 36/02
138/40
D406,424 S * 3/1999 Daniels D32/40
5,901,461 A * 5/1999 McElroy B60S 3/002
15/316.1
D411,312 S * 6/1999 Kinslow D25/34
D415,863 S * 10/1999 Cote D32/4
5,960,564 A * 10/1999 McElroy B60S 3/002
15/316.1
D419,272 S * 1/2000 Nordstrom D32/25
D419,732 S * 1/2000 Nordstrom D32/25
6,147,625 A * 11/2000 Decker B60S 3/04
134/123
D443,697 S * 6/2001 Kinslow D25/34

D445,199 S * 7/2001 Kinslow D25/34
D510,782 S * 10/2005 Boler D32/4
D514,755 S * 2/2006 Essenburg D32/4
D519,690 S * 4/2006 Forster D32/4
D729,993 S * 5/2015 Belanger D32/4
2006/0229891 A1* 10/2006 Grier G06Q 20/20
705/16
2007/0289616 A1* 12/2007 McCadden B05B 3/0463
134/123
2008/0029135 A1* 2/2008 McCadden B05B 3/0463
134/123
2010/0017979 A1* 1/2010 Ennis B60S 3/063
15/53.3
2011/0271846 A1* 11/2011 Hynes B01F 3/04751
99/323.1
2013/0104332 A1* 5/2013 Belanger A46B 13/001
15/246
2014/0259727 A1* 9/2014 Belanger B60S 3/002
34/355
2016/0180876 A1* 6/2016 Ostwald B25J 9/106
369/178.01
2017/0203736 A1* 7/2017 Belanger A46B 7/10
* cited by examiner

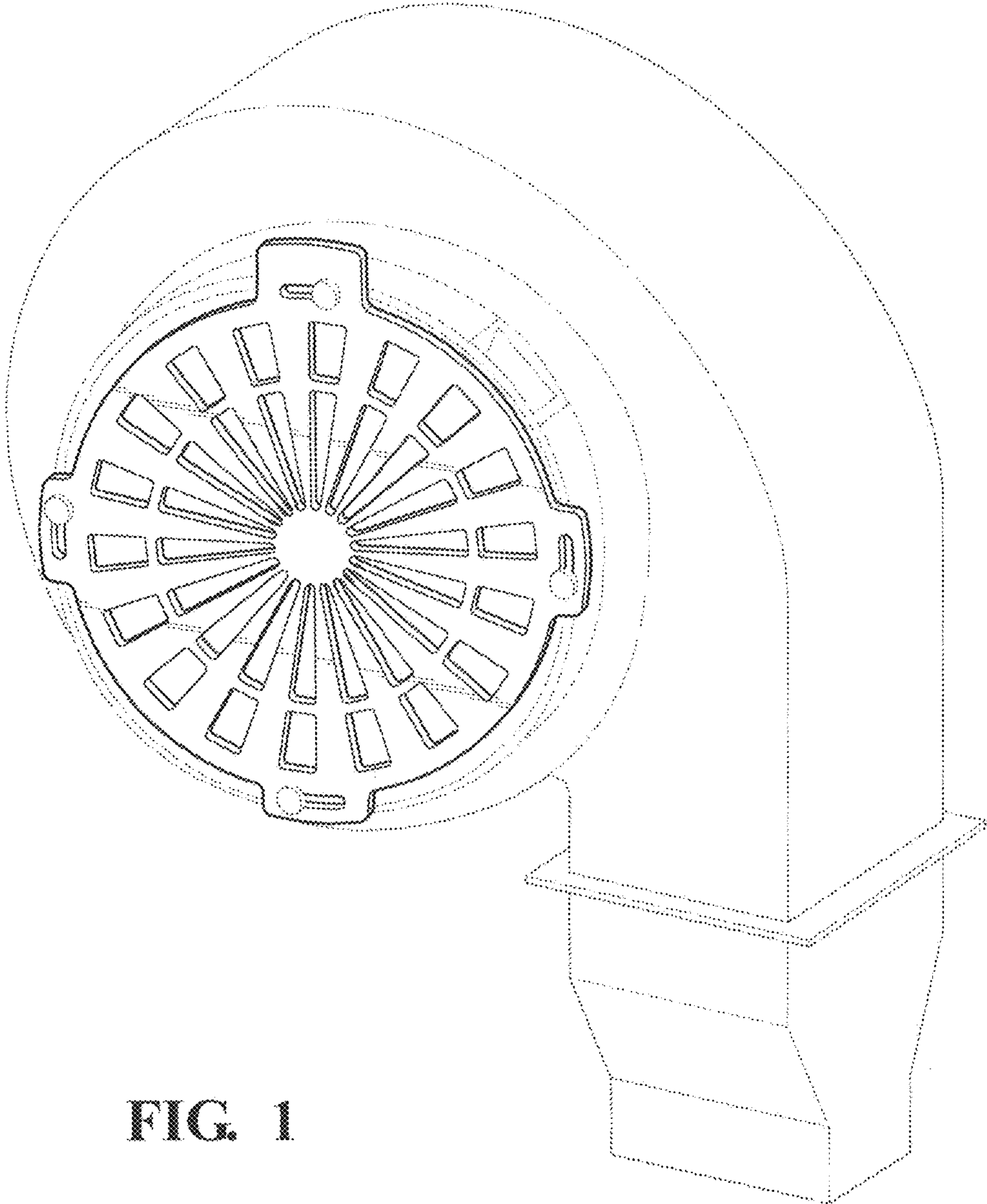


FIG. 1

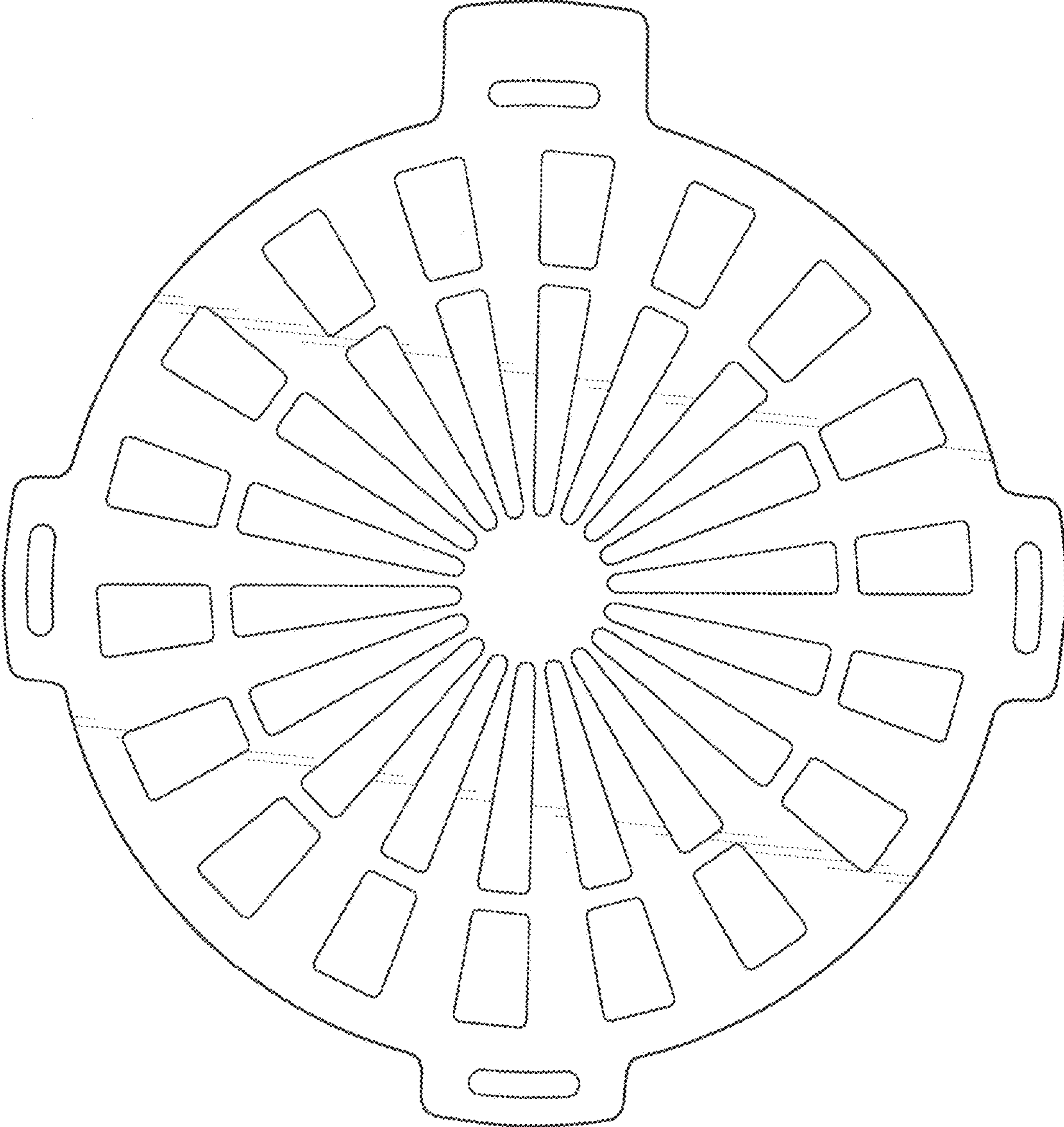


FIG. 2



FIG. 3