



US00D837466S

(12) **United States Design Patent**
Sperduti

(10) **Patent No.:** **US D837,466 S**

(45) **Date of Patent:** **** Jan. 1, 2019**

- (54) **CAT LITTER APPARATUS**
- (71) Applicant: **David A. Sperduti**, East Greenwich, RI (US)
- (72) Inventor: **David A. Sperduti**, East Greenwich, RI (US)
- (**) Term: **15 Years**
- (21) Appl. No.: **29/578,604**
- (22) Filed: **Sep. 22, 2016**
- (51) **LOC (11) Cl.** **30-99**
- (52) **U.S. Cl.**
USPC **D30/161**
- (58) **Field of Classification Search**
USPC D30/161, 108, 109, 112, 118; D7/545, D7/554.3, 605; 119/161, 163, 164, 165, 119/167, 168, 169, 170, 166, 28.5
CPC A01K 1/0121; A01K 1/011; A01K 1/0117; A01K 1/0114; A01K 1/0125; A01K 1/0155; A01K 1/0154; A01K 29/00
See application file for complete search history.

- D453,865 S * 2/2002 Ross D30/118
- 6,523,495 B1 * 2/2003 Rydman A01K 1/0107
119/167
- 7,584,717 B2 * 9/2009 Skovron A01K 1/0107
119/165
- D639,000 S * 5/2011 Weber D30/161
- D686,786 S * 7/2013 Alami
- 8,887,667 B2 * 11/2014 Maguire A01K 1/0107
119/165
- D731,716 S * 6/2015 Kuiper A01K 1/0114
D30/161
- D743,641 S * 11/2015 Jones
- D782,756 S * 3/2017 Veness D30/161
- D783,907 S * 4/2017 Ohlman D30/161

* cited by examiner

Primary Examiner — Caron D Veynar
Assistant Examiner — Katrina N Gonzalez
(74) *Attorney, Agent, or Firm* — Adler Pollock & Sheehan P.C.; Daniel J. Holmander, Esq.

(57) **CLAIM**

The ornamental design for a cat litter apparatus, as shown and described.

DESCRIPTION

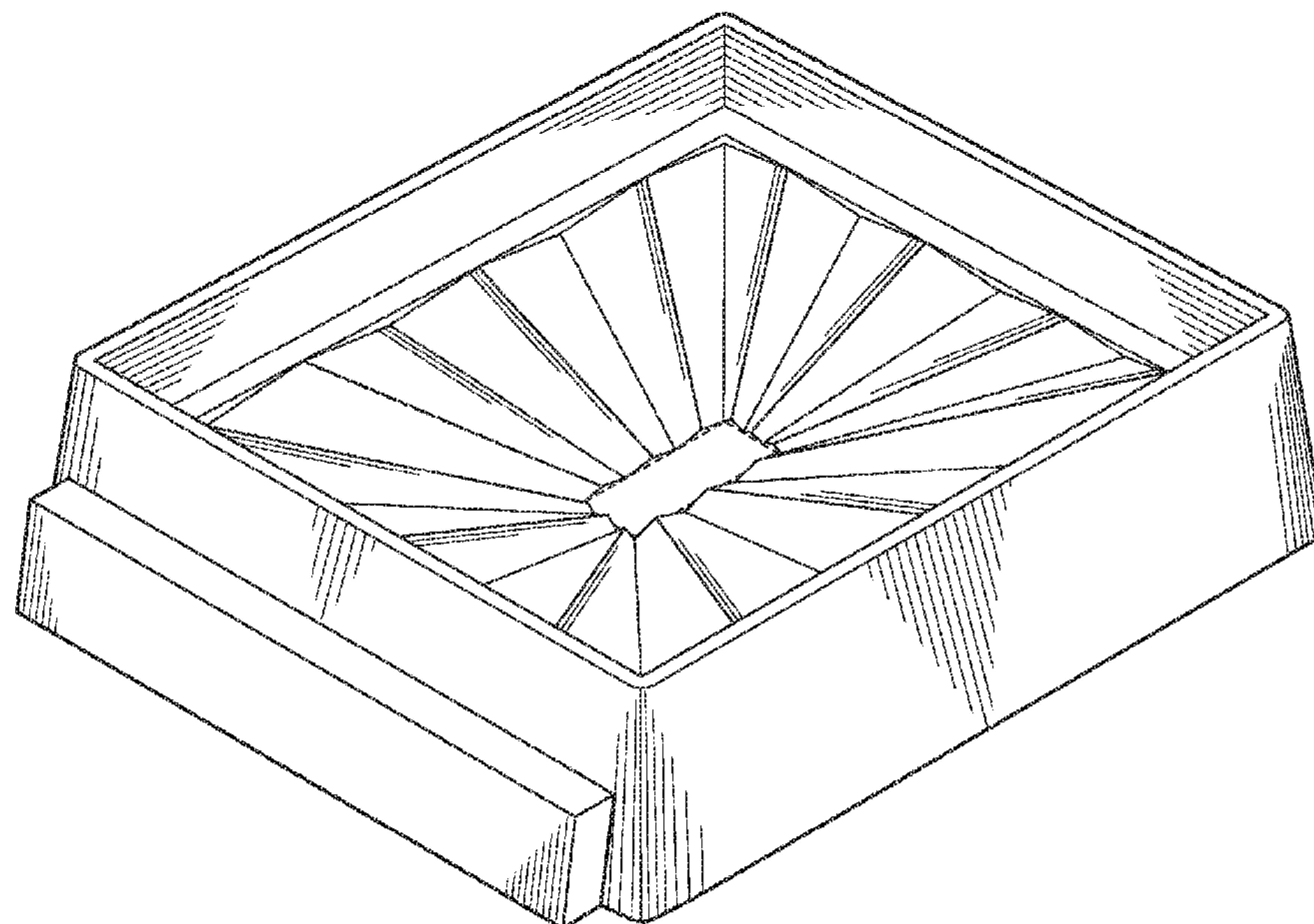
FIG. 1 is a perspective view of a cat litter apparatus, showing my new design.
FIG. 2 is a front view thereof;
FIG. 3 is a left view thereof; and,
FIG. 4 is a top view thereof.
The broken line showings of the cat litter apparatus are included for the purpose of illustrating portions of the cat litter apparatus and form no part of the claimed design.

1 Claim, 4 Drawing Sheets

(56) **References Cited**

U.S. PATENT DOCUMENTS

- 2,144,329 A * 1/1939 Conlon A01K 1/0107
119/161
- D124,041 S * 12/1940 Nash D9/453
- 2,469,784 A * 5/1949 Quinn A01K 1/0107
119/161
- D270,042 S * 8/1983 Fisher D9/430
- D310,587 S * 9/1990 Hinson 119/165
- D398,088 S * 9/1998 Angier D30/161
- D413,416 S * 8/1999 Frank D30/129



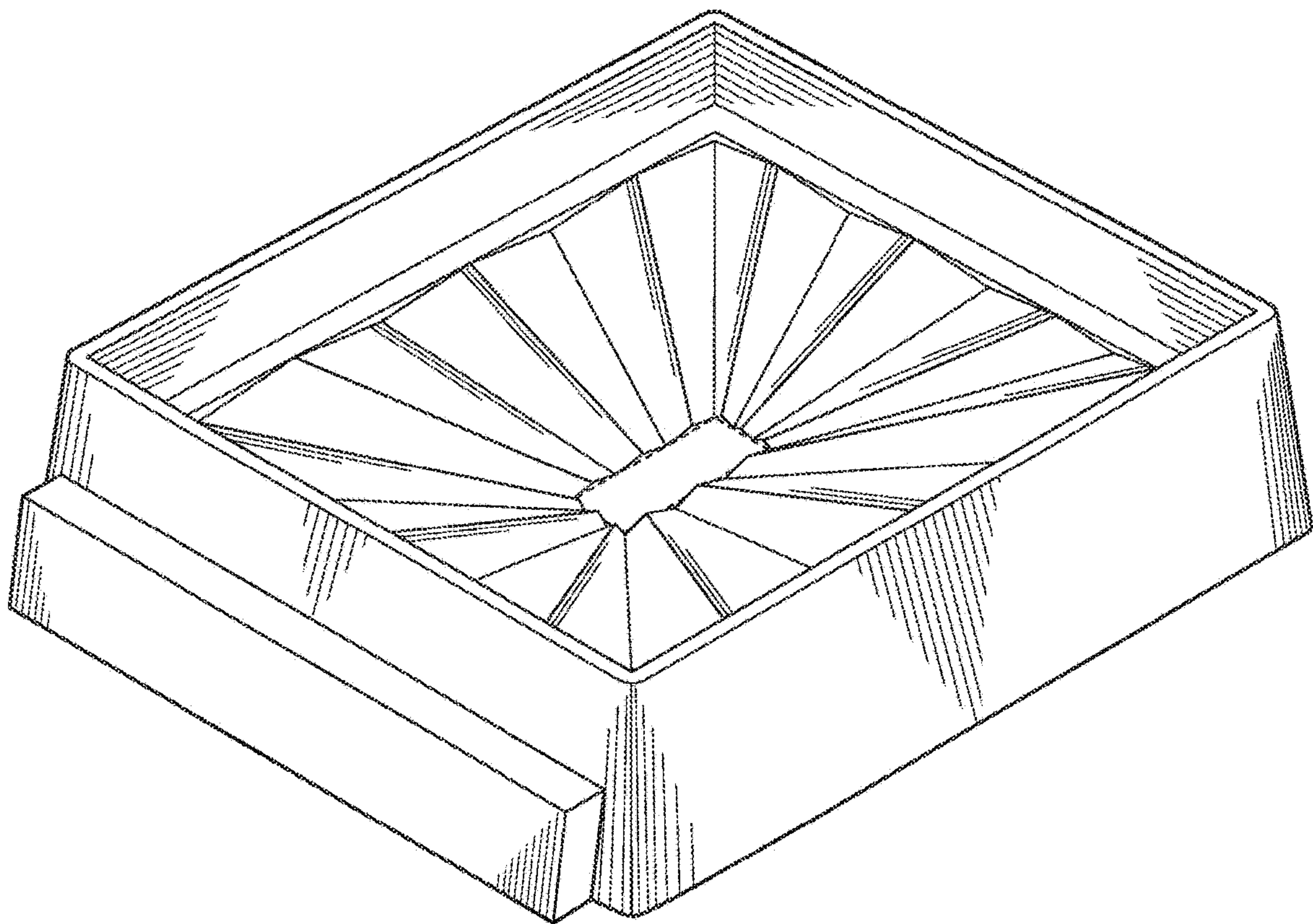


FIG. 1

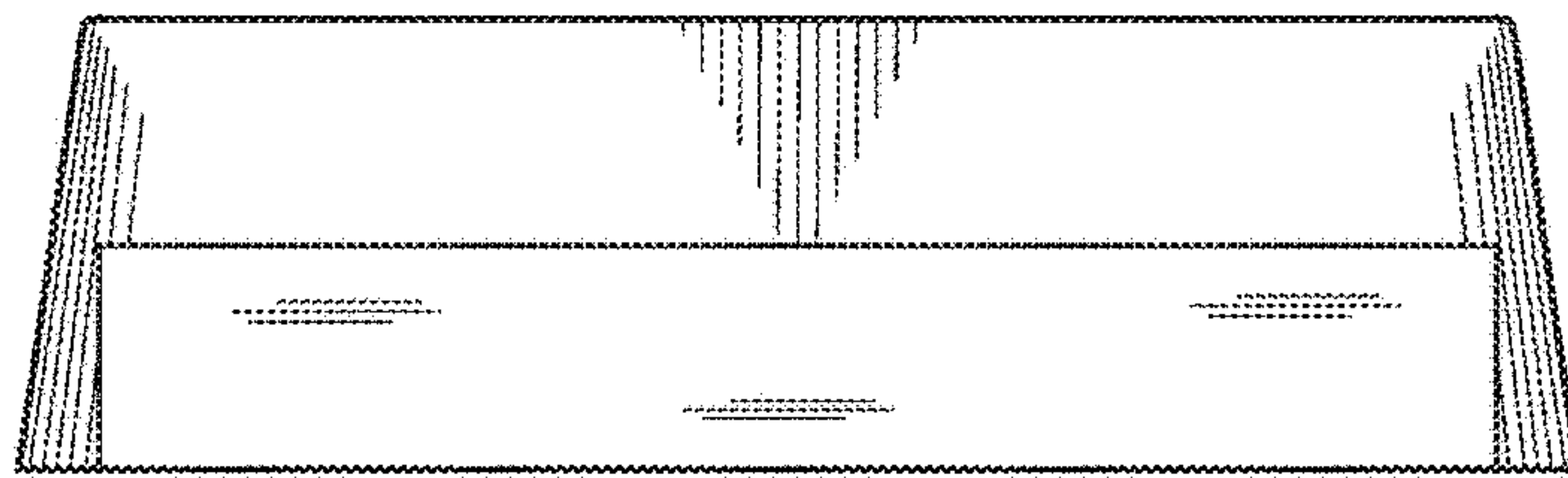


FIG. 2

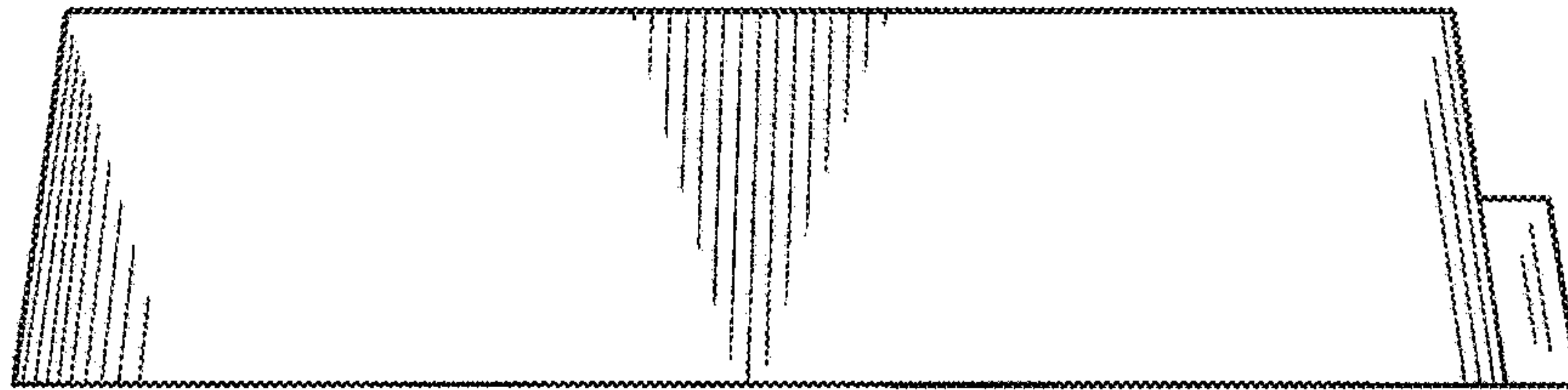


FIG. 3

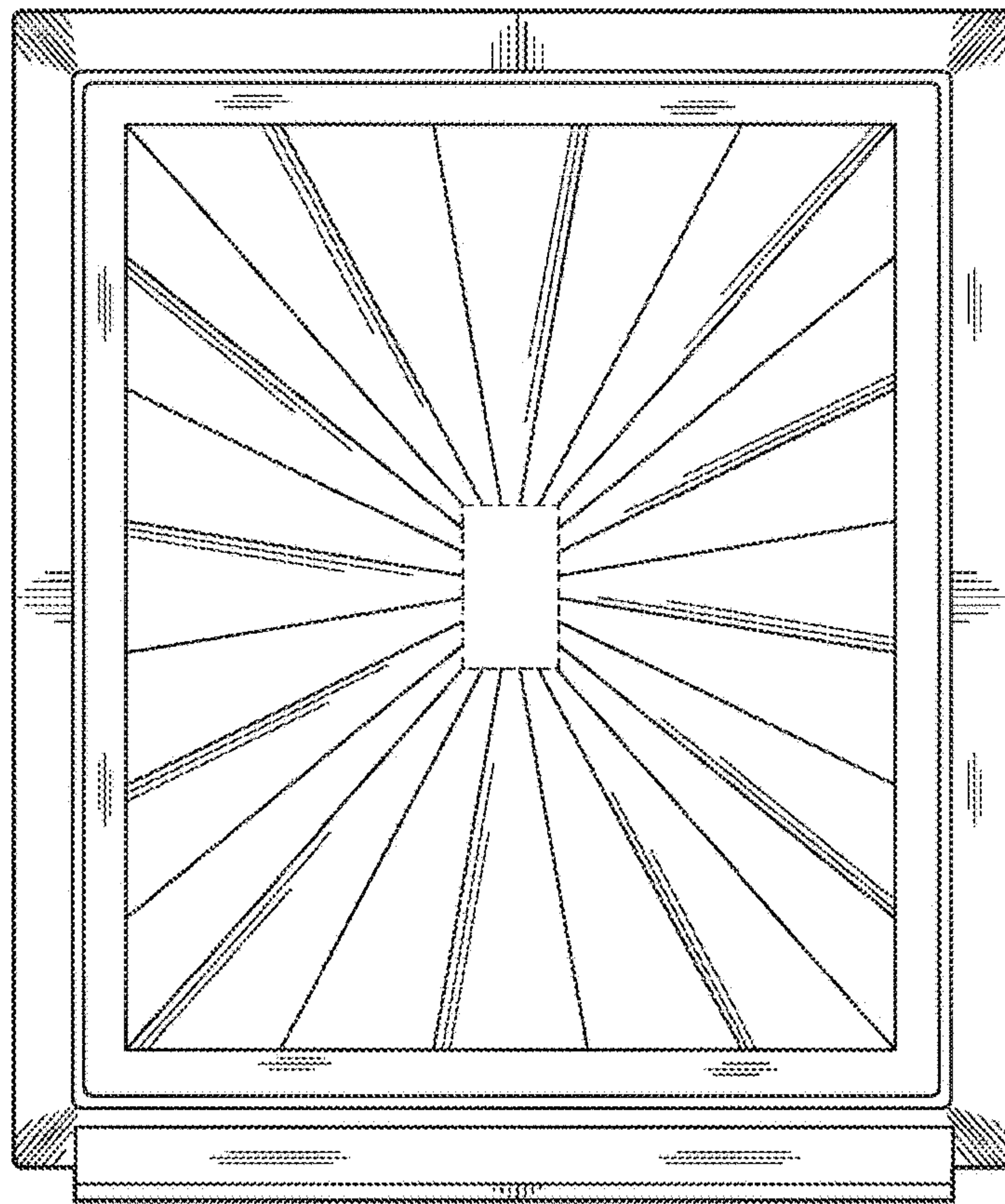


FIG. 4