



US00D837463S

(12) **United States Design Patent**
Vanbuuren et al.

(10) **Patent No.:** **US D837,463 S**
(45) **Date of Patent:** **** Jan. 1, 2019**

- (54) **ANIMAL HOUSING UNIT**
- (71) Applicant: **Poly Dome Ontario Inc.**, Grassie (CA)
- (72) Inventors: **Darren Vanbuuren**, Grassie (CA);
Burton Mark Wood, Lindsay (CA)
- (73) Assignee: **Poly Dome Ontario Inc.**, Ontario (CA)
- (**) Term: **15 Years**
- (21) Appl. No.: **29/605,866**
- (22) Filed: **May 31, 2017**
- (51) **LOC (11) Cl.** **30-03**
- (52) **U.S. Cl.**
USPC **D30/113**
- (58) **Field of Classification Search**
USPC D30/108, 112–117, 161; D9/420;
D25/15, 16, 18, 22; 119/416, 428–429,
119/430–436
CPC A01K 1/0064; E04H 15/0011
See application file for complete search history.

- D652,995 S * 1/2012 VanBuuren D30/108
- D663,525 S * 7/2012 Rhoades D3/314
- D743,171 S * 11/2015 Reinhart D3/279
- D791,411 S * 7/2017 VanBuuren D30/113
- D818,651 S * 5/2018 Vanbuuren D30/113

* cited by examiner

Primary Examiner — Barbara Fox
Assistant Examiner — Mehri F Bajoul
(74) *Attorney, Agent, or Firm* — Norris McLaughlin, P.A.

(57) **CLAIM**

The ornamental design for an animal housing unit, as shown and described.

DESCRIPTION

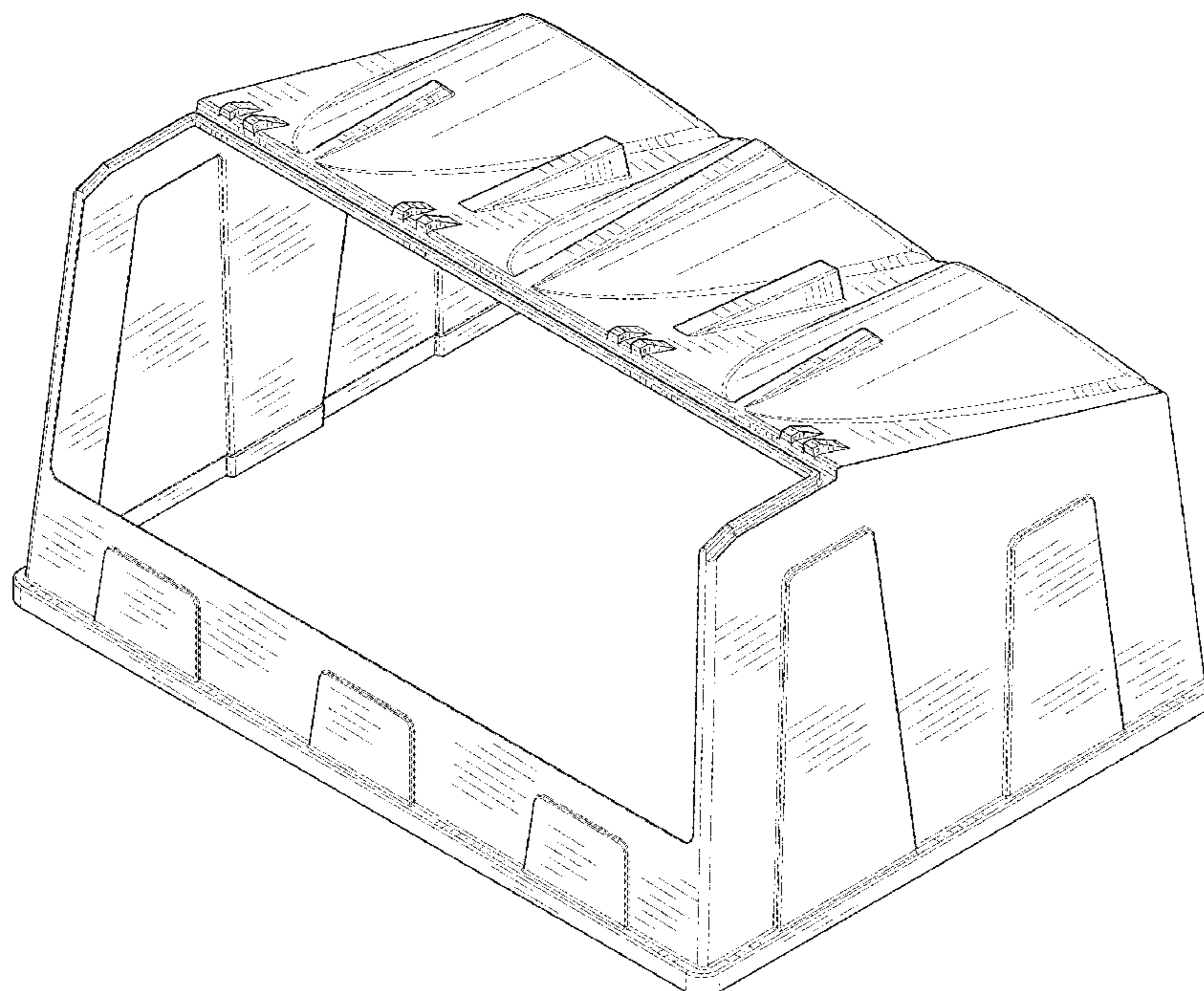
FIG. 1 is a top front perspective view of an animal housing unit according to my invention;
 FIG. 2 is a bottom rear perspective view of the animal housing unit of FIG. 1;
 FIG. 3 is a right side elevation view of the animal housing unit of FIG. 1;
 FIG. 4 is a front elevation view of the animal housing unit of FIG. 1;
 FIG. 5 is a left side elevation view of the animal housing unit of FIG. 1;
 FIG. 6 is a rear elevation view of the animal housing unit of FIG. 1;
 FIG. 7 is a top plan view of the animal housing unit of FIG. 1; and,
 FIG. 8 is a bottom plan view of the animal housing unit of FIG. 1.
 The broken lines shown in the figures depict portions of the animal housing unit that form no part of the claimed design.

(56) **References Cited**

U.S. PATENT DOCUMENTS

- D197,311 S * 1/1964 Spaak et al. 206/509
- D267,904 S * 2/1983 Hampel D25/1
- 4,523,692 A * 6/1985 Lemkin B65D 21/0219
206/508
- D363,367 S * 10/1995 Hampel D30/108
- D395,756 S * 7/1998 Tanji D3/304
- D435,672 S * 12/2000 Hampel D25/139
- D450,890 S * 11/2001 Van Buuren D30/108
- D486,644 S * 2/2004 Claypool D3/304
- D596,857 S * 7/2009 Ahlgrim D3/307
- D651,766 S * 1/2012 Van Buuren D30/113

1 Claim, 8 Drawing Sheets



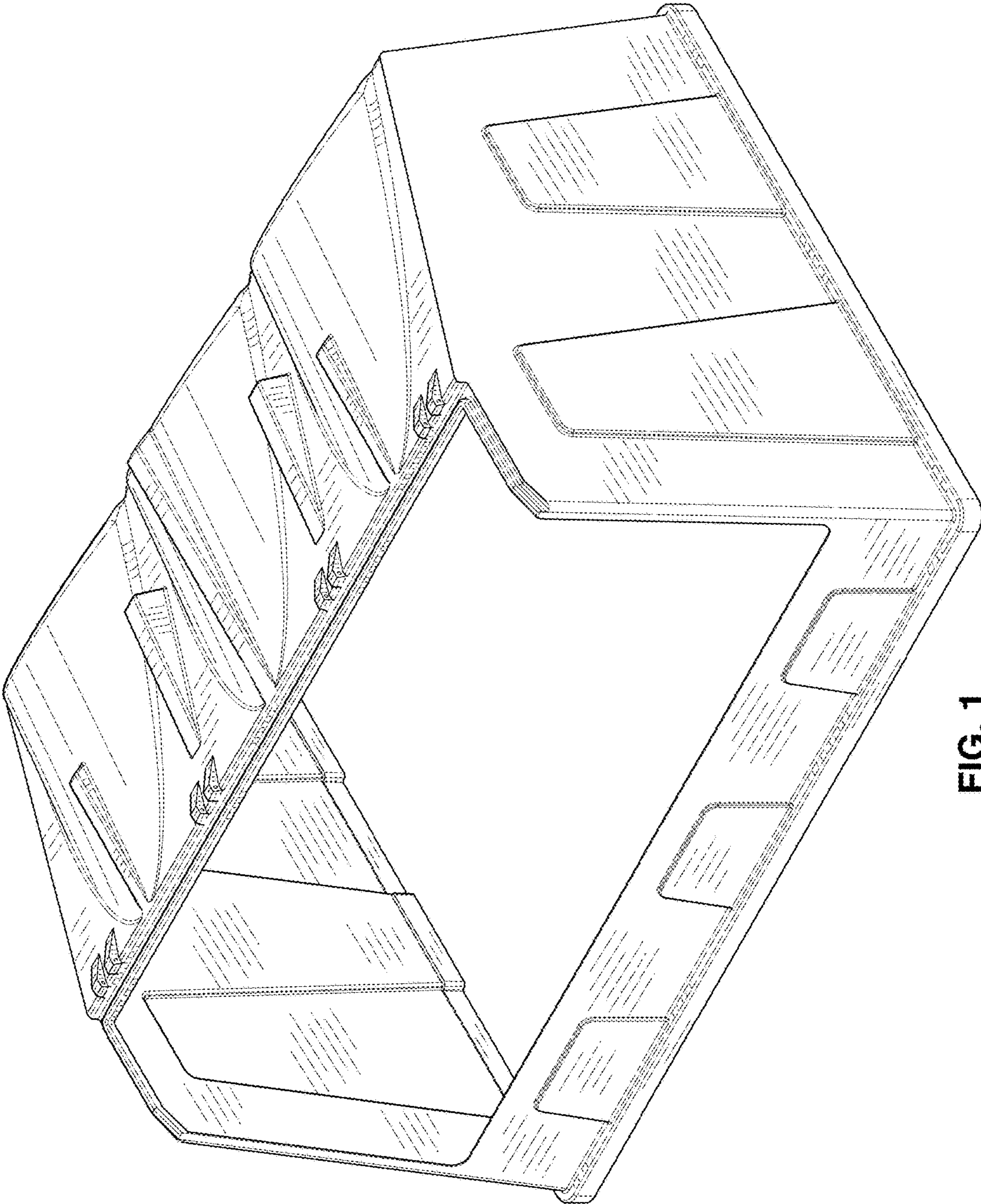


FIG. 1

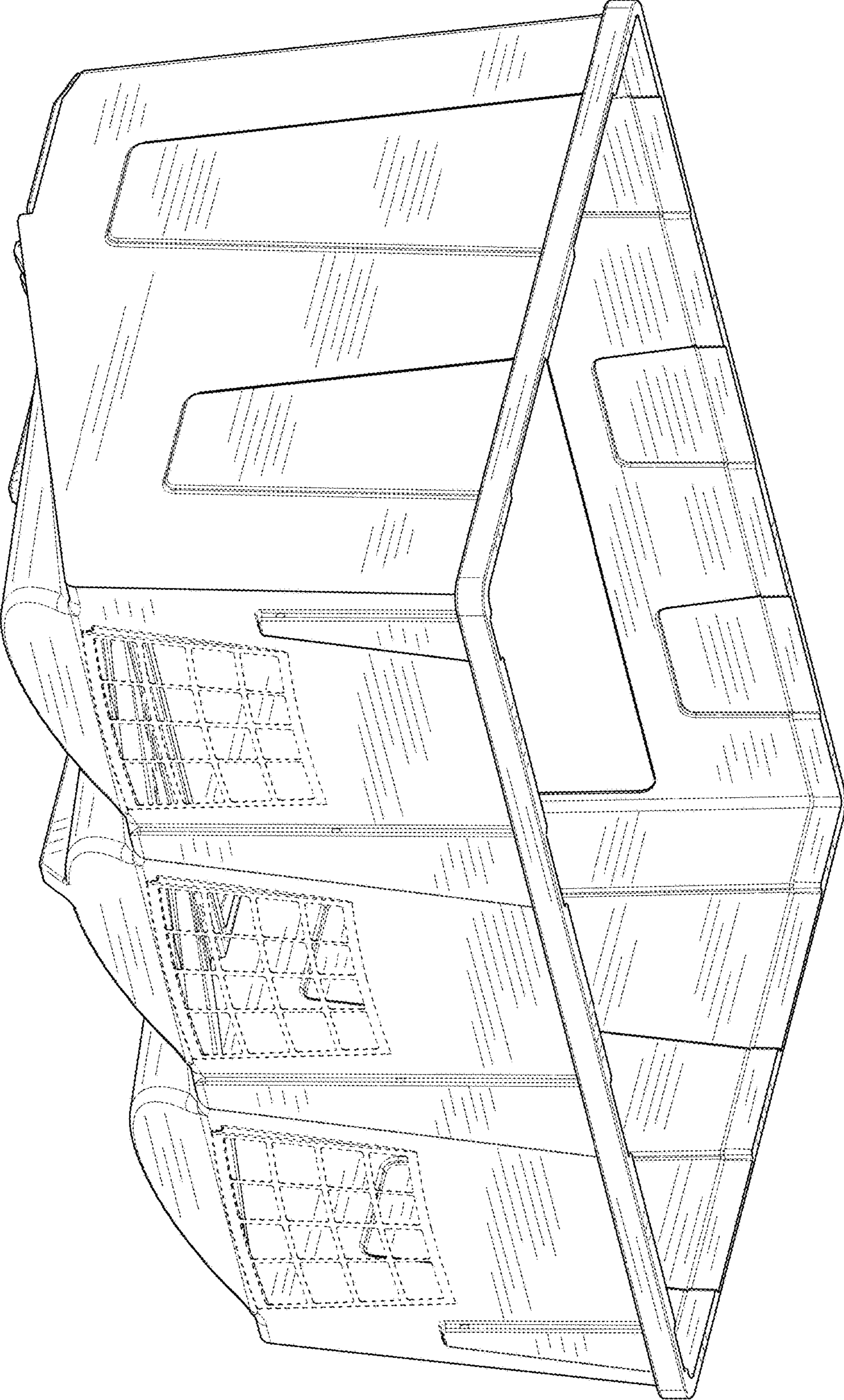


FIG. 2

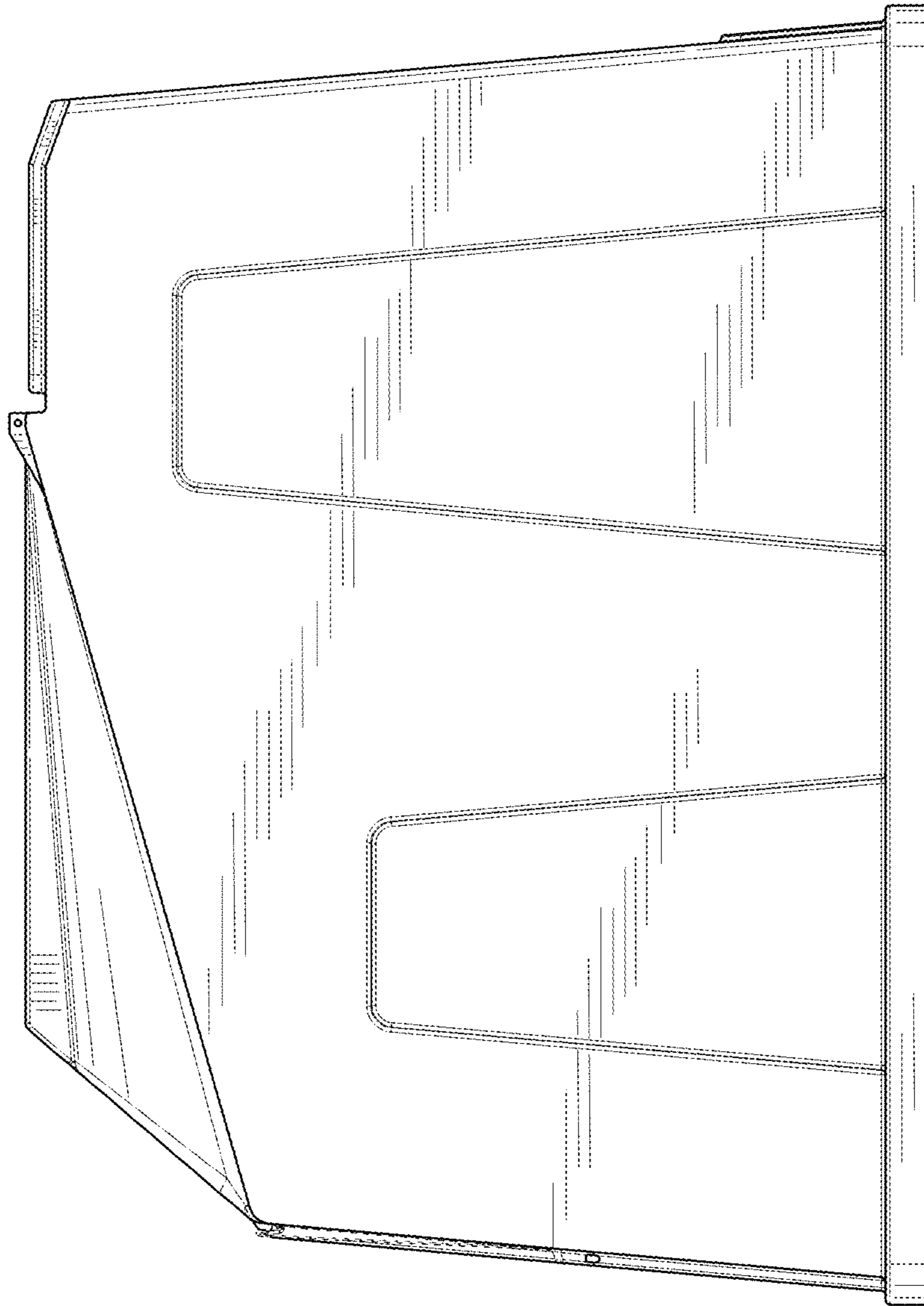


FIG. 3

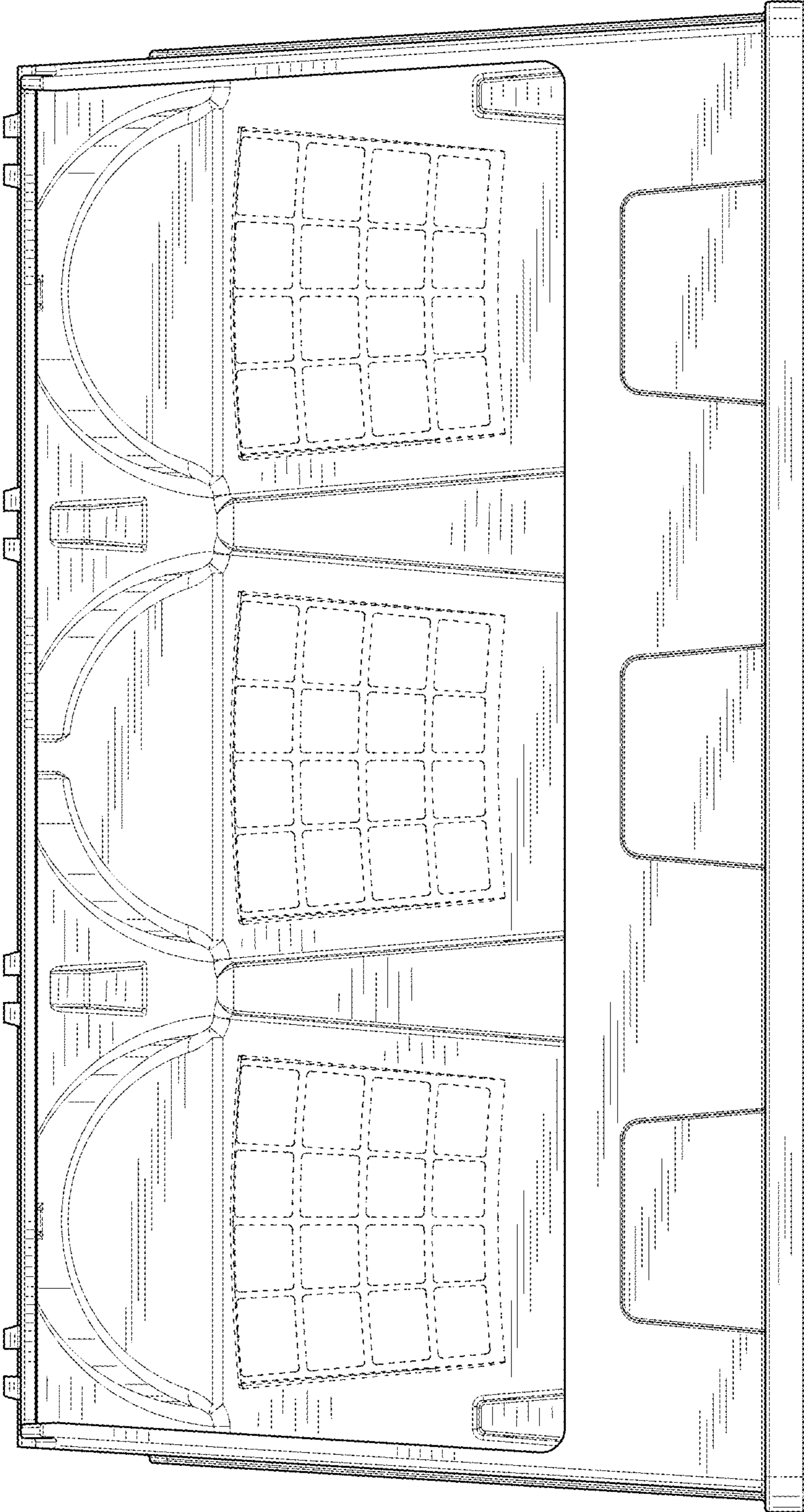


FIG. 4

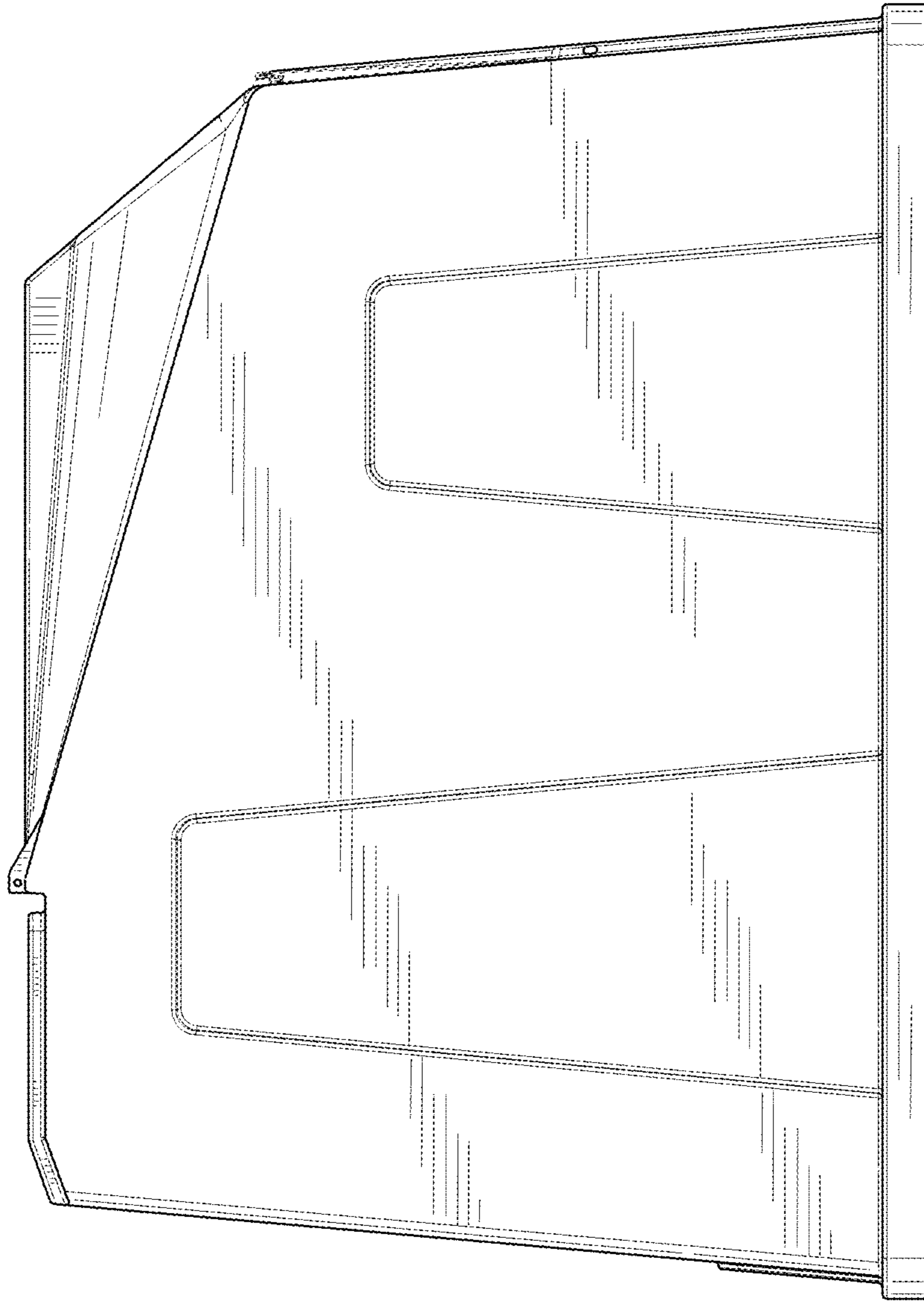


FIG. 5

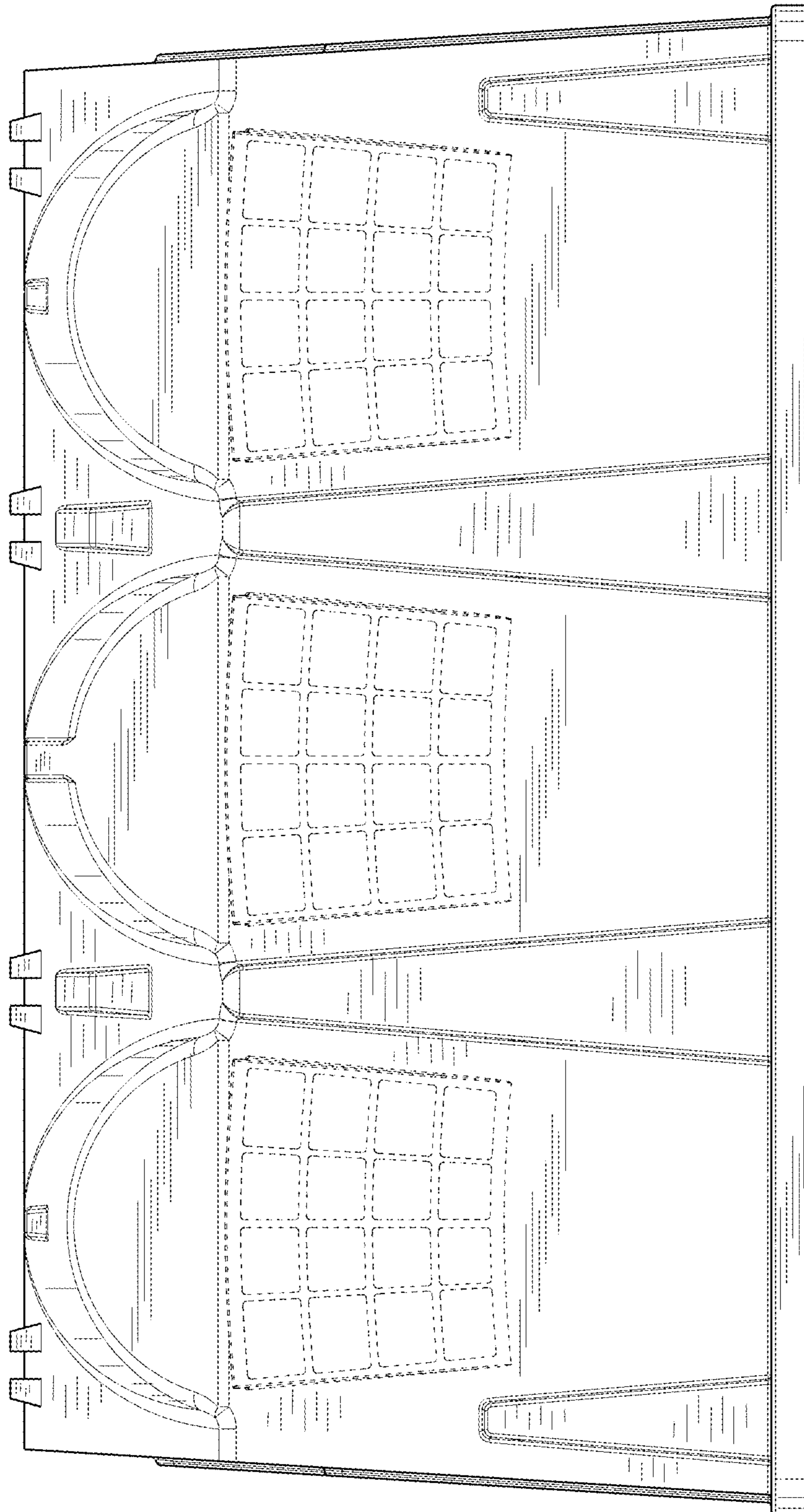


FIG. 6

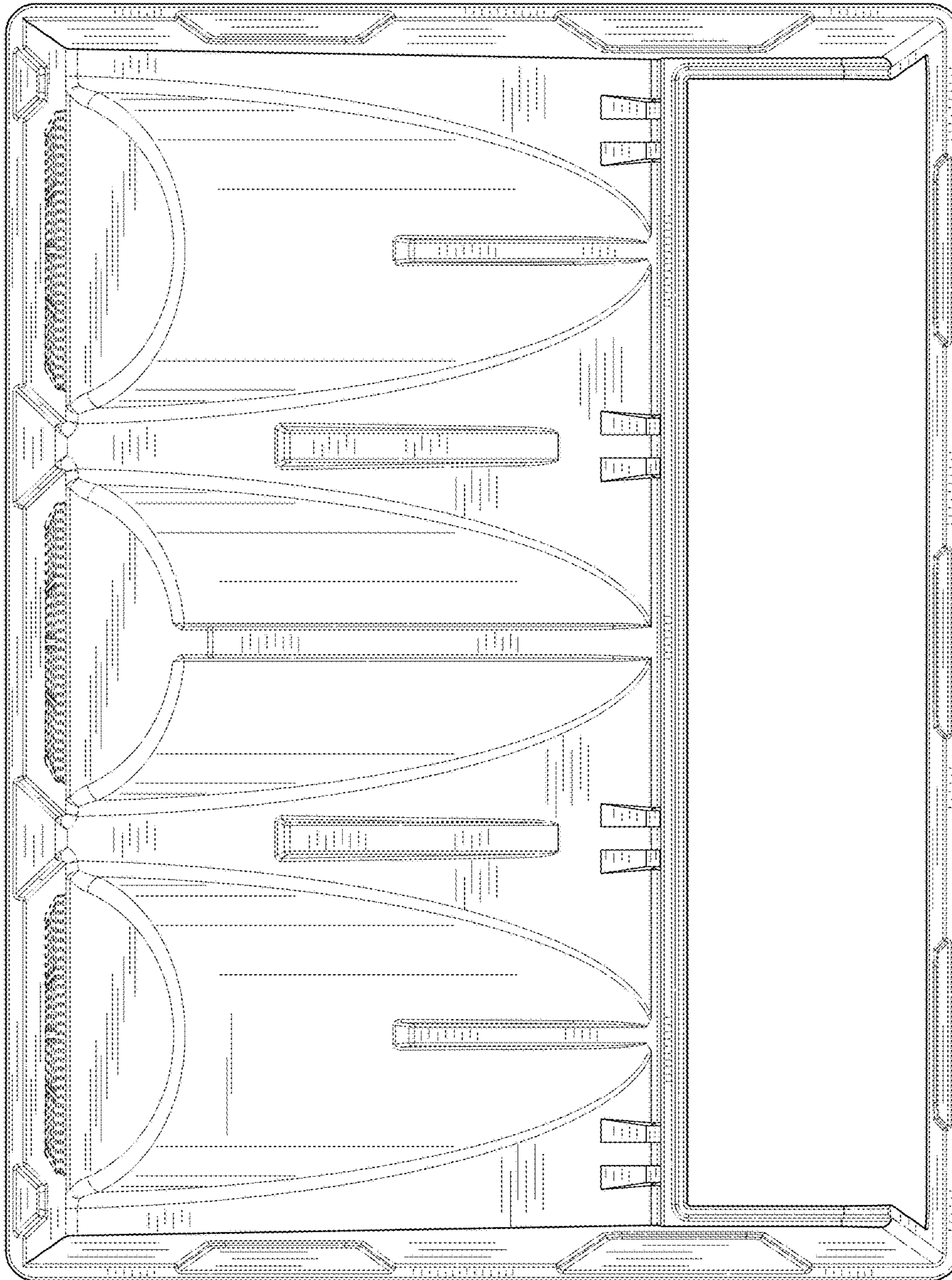


FIG. 7

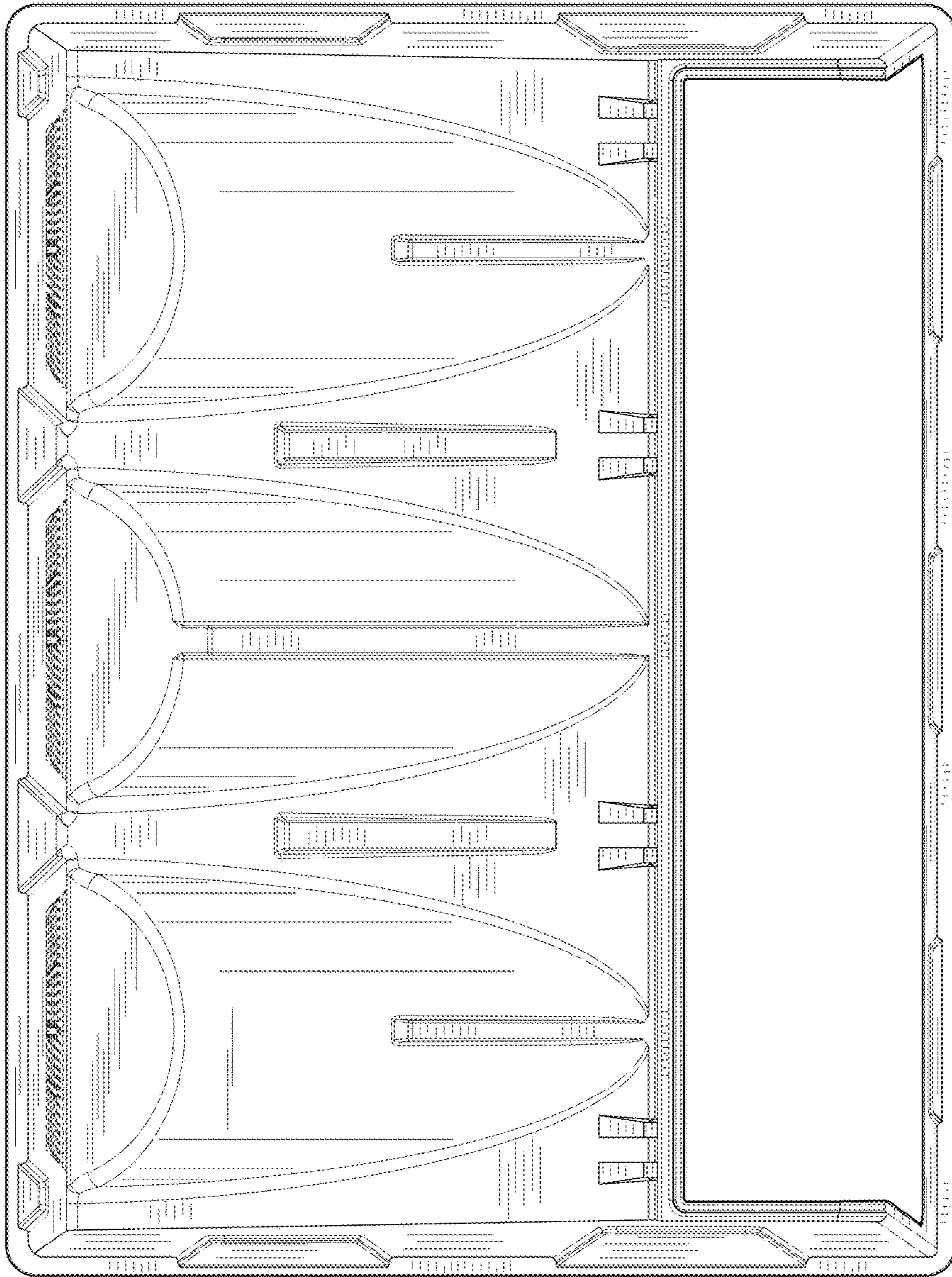


FIG. 8