



US00D837456S

(12) **United States Design Patent**
Andrews

(10) **Patent No.:** **US D837,456 S**
(45) **Date of Patent:** **** Jan. 1, 2019**

- (54) **ADJUSTABLE MASK**
- (71) Applicant: **Medline Industries, Inc**, Northfield, IL (US)
- (72) Inventor: **Melanie Andrews**, Lake Villa, IL (US)
- (73) Assignee: **Medline Industries, Inc.**, Northfield, IL (US)

(**) Term: **15 Years**

(21) Appl. No.: **29/603,744**

(22) Filed: **May 11, 2017**

(51) **LOC (11) Cl.** **29-02**

(52) **U.S. Cl.**
USPC **D29/108**

(58) **Field of Classification Search**
USPC D29/100, 102, 105, 106, 107, 108, 110, D29/122; D2/878, 880, 881; D24/110.1
CPC A42B 5/00; A42B 3/18; A42B 3/20; A42B 1/046; A61F 9/04; A61F 9/06; A61F 9/029; A41D 13/11; A41D 13/1107; A41D 13/1161; A41D 13/1169; A41D 13/1176; A41G 7/00; A41G 7/02; A63B 71/08; A63B 71/10; A63B 71/105

See application file for complete search history.

(56) **References Cited**

U.S. PATENT DOCUMENTS

1,775,718	A *	9/1930	Garvey	A61F 5/56	128/848
3,333,585	A *	8/1967	Barghini	A41D 13/1146	128/201.13
D210,181	S *	2/1968	Solomon	D28/44	
3,603,315	A *	9/1971	Becker, III	A41D 13/1115	128/206.19
3,884,227	A	5/1975	Lutz et al.			
4,419,993	A *	12/1983	Petersen	A41D 13/1123	128/201.15
4,635,628	A	1/1987	Hubbard et al.			

4,867,148	A *	9/1989	Gomez	A41D 13/11	128/858
4,920,960	A *	5/1990	Hubbard	A41D 13/1115	128/206.12
4,941,470	A *	7/1990	Hubbard	A41D 13/1115	128/206.13
5,307,796	A *	5/1994	Kronzer	A41D 13/1146	128/205.27
5,553,608	A *	9/1996	Reese	A41D 13/1115	128/206.19

(Continued)

OTHER PUBLICATIONS

“3M Health Care”, 3M Coban Sterile Self Adherent Wraps and 3M Coban LF Latex Free Sterile Self-Adherent Wraps; Product Information; Copyright 2010; Unknown Publication Date but believed to be prior to filing of present application.

(Continued)

Primary Examiner — Elizabeth J Oswecki
(74) *Attorney, Agent, or Firm* — Philip H. Burrus, IV

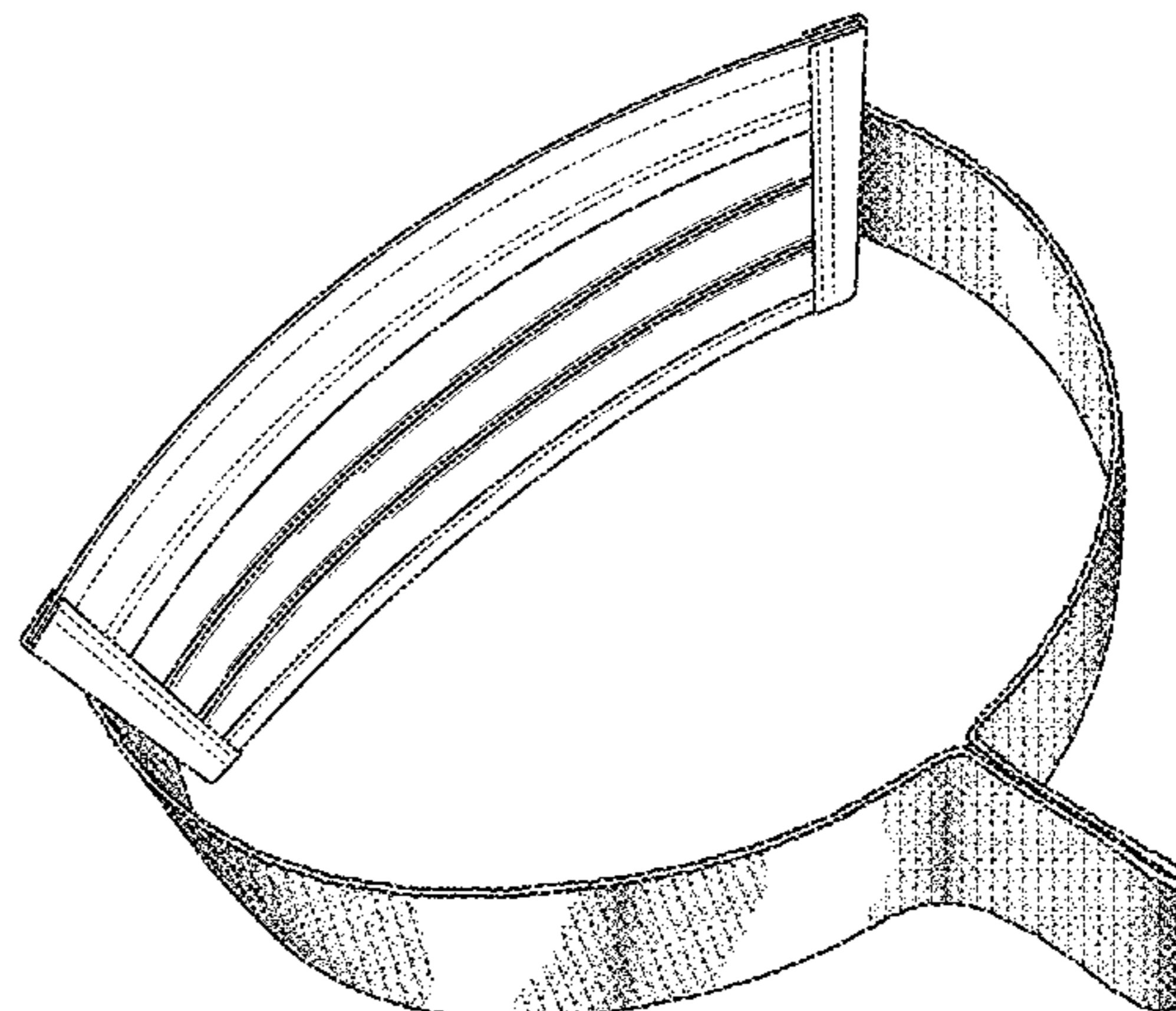
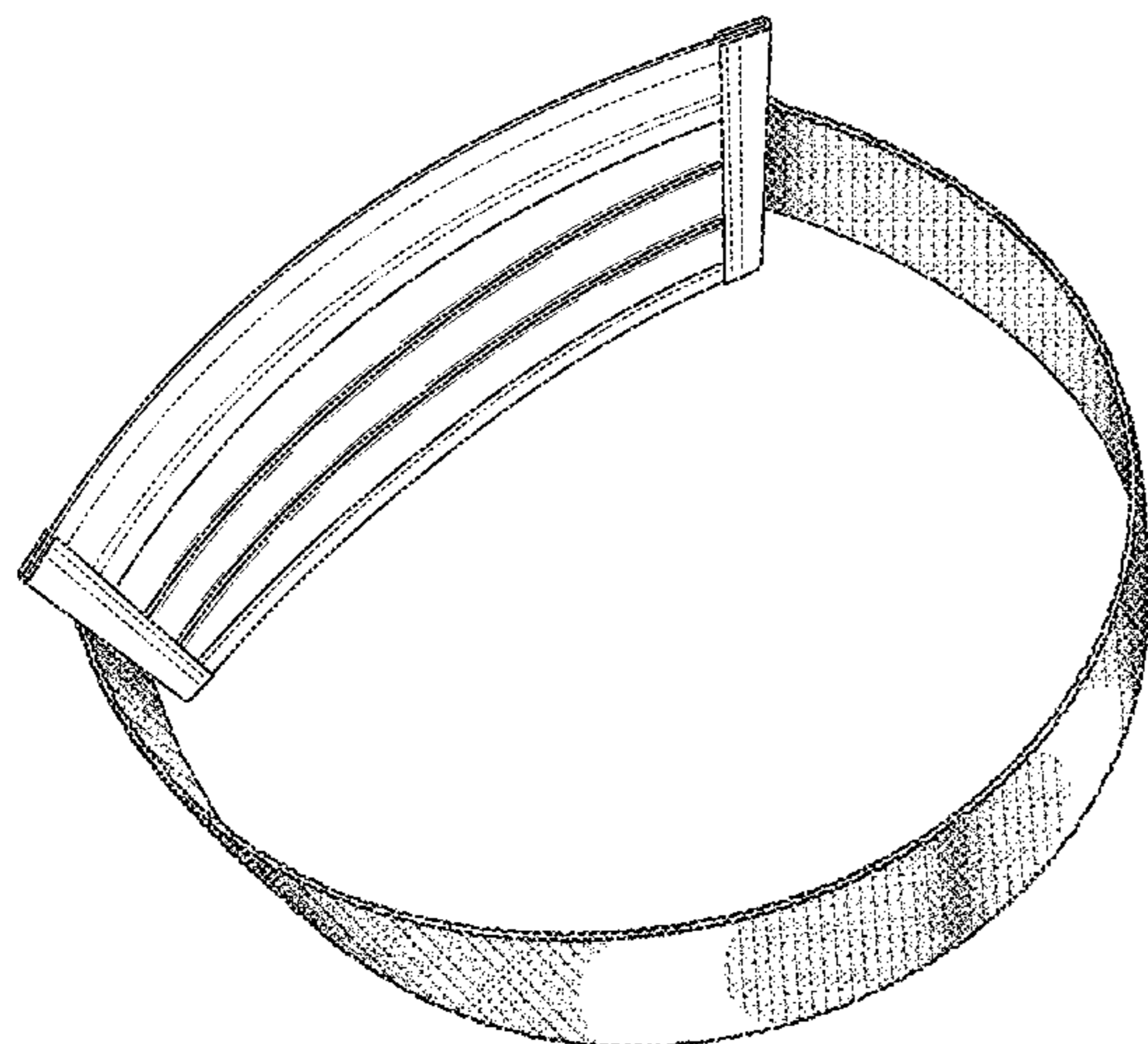
(57) **CLAIM**

The ornamental design for an adjustable mask, as shown and described.

DESCRIPTION

FIG. 1 is a perspective view of an adjustable mask, showing my new design in an unadjusted configuration; FIG. 2 is a left side elevation view thereof; FIG. 3 is a right side elevation view thereof; FIG. 4 is a rear elevation view thereof; FIG. 5 is a front elevation view thereof; FIG. 6 is a top plan view thereof; and FIG. 7 is a bottom plan view thereof. FIG. 8 is a perspective view thereof, shown in an adjusted configuration; FIG. 9 is a left side elevation view thereof; and, FIG. 10 is a top plan view thereof.

1 Claim, 8 Drawing Sheets



(56)

References Cited

U.S. PATENT DOCUMENTS

D377,241 S * 1/1997 Kenner D24/190
 D383,537 S * 9/1997 Lunden D24/110.1
 5,803,075 A 9/1998 Yavitz
 5,813,398 A * 9/1998 Baird A41D 13/1115
 128/201.15
 D400,674 S * 11/1998 Miura D24/110.1
 5,842,470 A 12/1998 Ruben
 5,891,508 A * 4/1999 Barnum A41D 13/1115
 128/206.12
 5,939,339 A 8/1999 Delmore et al.
 D420,769 S * 2/2000 White D24/110.1
 6,394,090 B1 * 5/2002 Chen A41D 13/113
 128/205.27
 D493,920 S * 8/2004 Hillman D29/108
 D511,209 S * 11/2005 Callan D24/110.1
 7,004,167 B2 * 2/2006 Cheng A41D 13/1192
 128/205.27
 D520,189 S * 5/2006 Hillman D29/108
 7,044,127 B1 * 5/2006 Fernandez DeCastro
 A41D 13/11
 128/202.15
 D530,418 S * 10/2006 Henry D24/110.1
 D533,686 S * 12/2006 Hillman D29/108
 D536,834 S * 2/2007 Hillman D29/108
 D537,210 S * 2/2007 Hillman D29/108
 D537,572 S * 2/2007 Hillman D29/108
 D539,484 S * 3/2007 Hillman D29/108
 D636,537 S * 4/2011 Ladua D29/108
 D638,171 S * 5/2011 Goranov D29/108
 D640,011 S * 6/2011 Teng D29/108
 D681,881 S * 5/2013 Pong D29/108

D693,062 S * 11/2013 Bowen D29/108
 D737,002 S * 8/2015 Olson D29/108
 D777,988 S * 1/2017 Miros D29/108
 D803,391 S * 11/2017 Reese D24/110.1
 9,868,002 B2 * 1/2018 Duffy A62B 23/025
 2002/0052570 A1 5/2002 Naimer
 2004/0173216 A1 * 9/2004 Park A41D 13/1161
 128/206.12
 2005/0058816 A1 3/2005 Gorres
 2008/0295843 A1 * 12/2008 Haas A41D 13/1192
 128/205.27
 2009/0320849 A1 * 12/2009 Biedermann A41D 13/1192
 128/206.28
 2010/0218774 A1 * 9/2010 Flaherty A41D 13/1138
 128/863
 2012/0272973 A1 11/2012 Palomo et al.
 2016/0235136 A1 8/2016 Palomo et al.
 2016/0310327 A1 10/2016 Rule et al.
 2017/0079868 A1 3/2017 Reid, Jr. et al.

OTHER PUBLICATIONS

Braswell, Melanie et al., "Implementing AORN Recommended Practices for Surgical Attired", AORN Journal, Jan. 2012; Published in AORN's Perioperative Standards and Recommended Practices in Nov. 2010.
 Ingris-Arkell, Esther , "How does cling wrap work", Gizmodo Article; View Apr. 20, 2017; Originally posted Jun. 3, 2011; <http://gizmodo.com/5807661/how-does-cling-wrap-cling>.
 Spruce, Lisa et al., "Guideline for Surgical Attire", Guidelines for Perioperative Praction, 2015 edition; Aseptic Practice; Originally Published Mar. 1975 in AORN Journal.

* cited by examiner

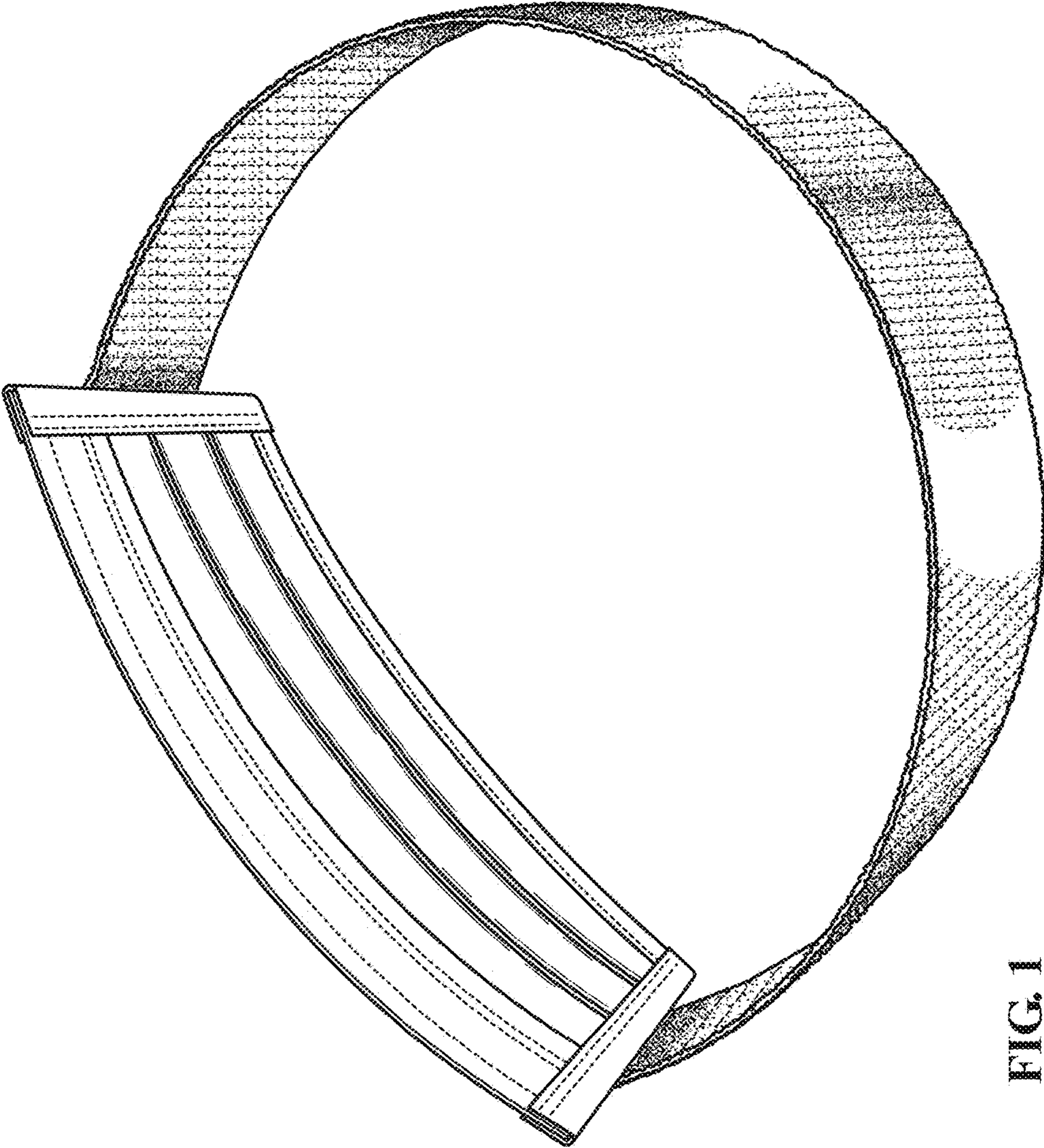


FIG. 1

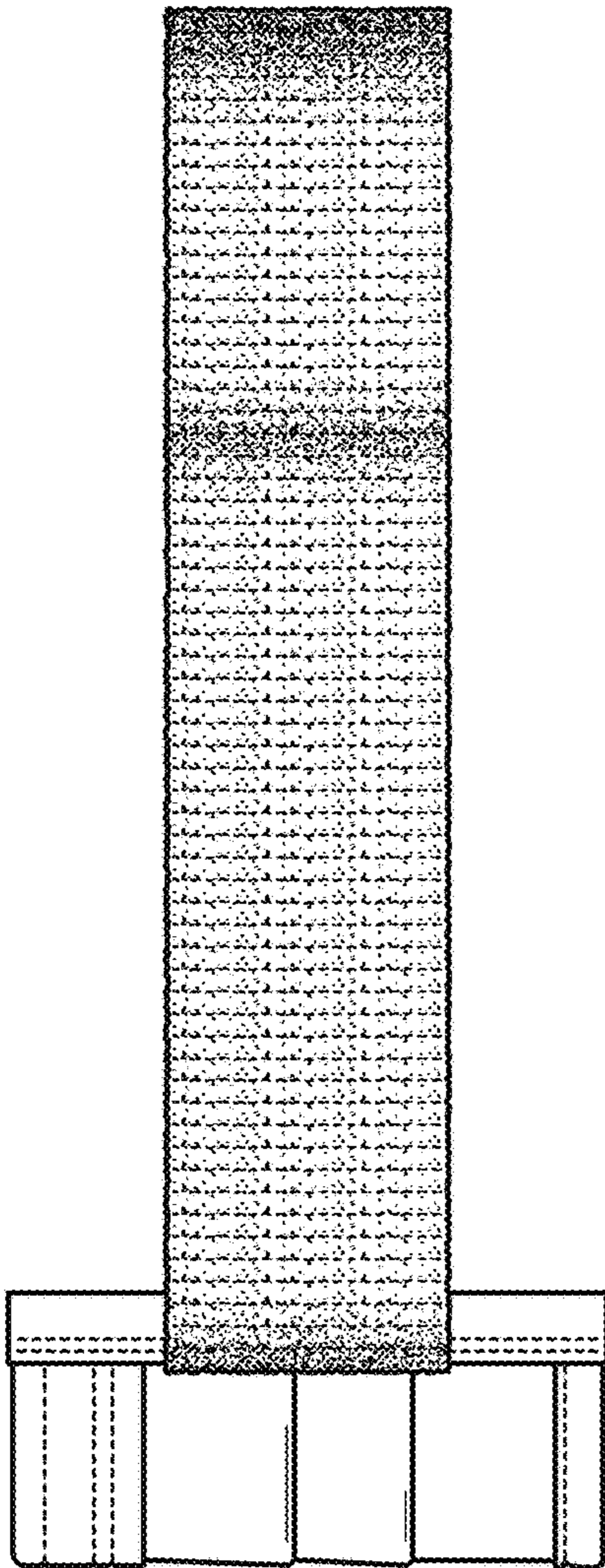


FIG. 2

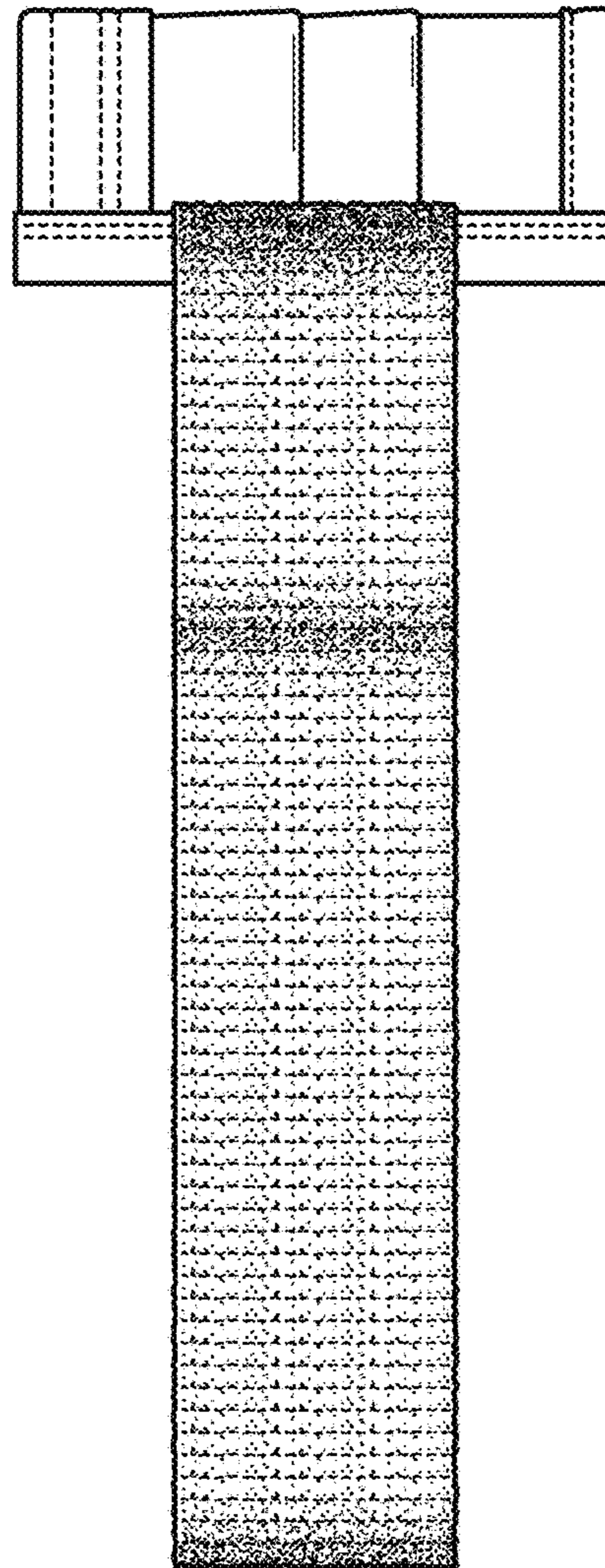


FIG. 3

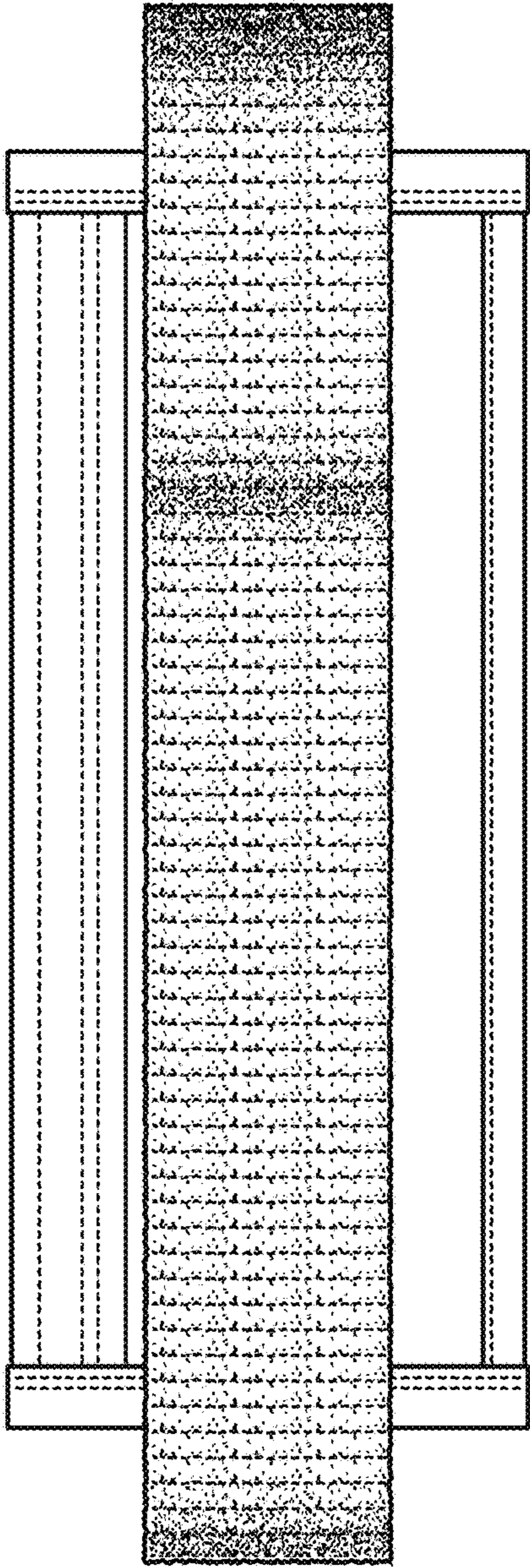


FIG. 4

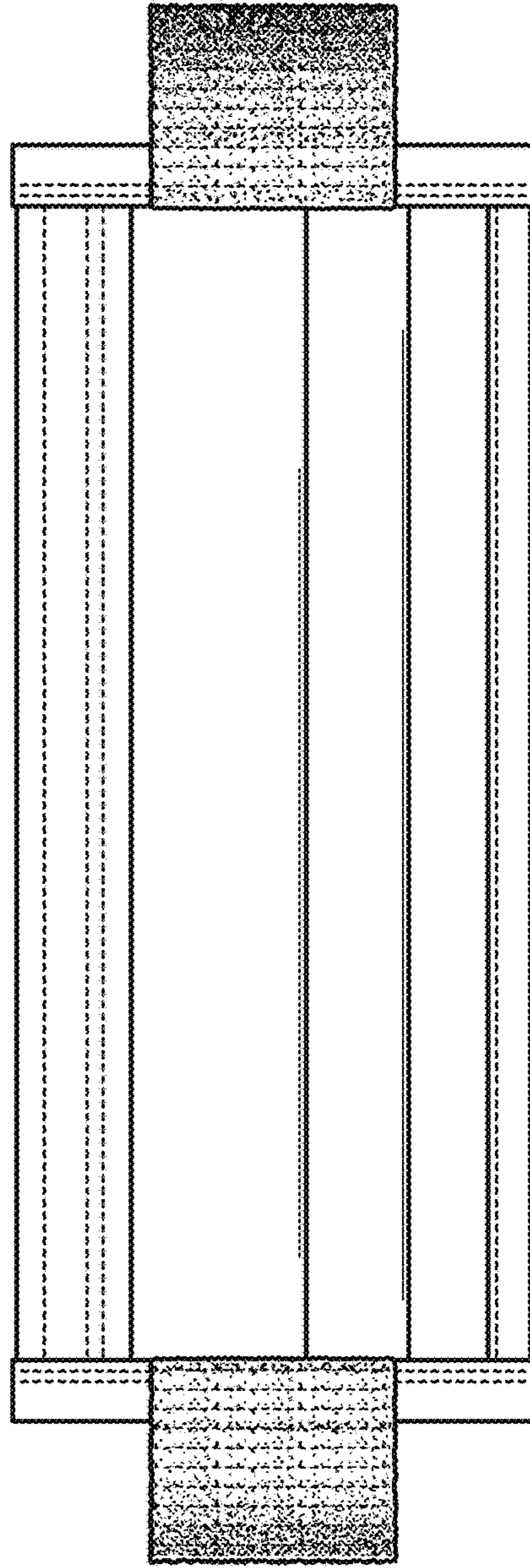


FIG. 5

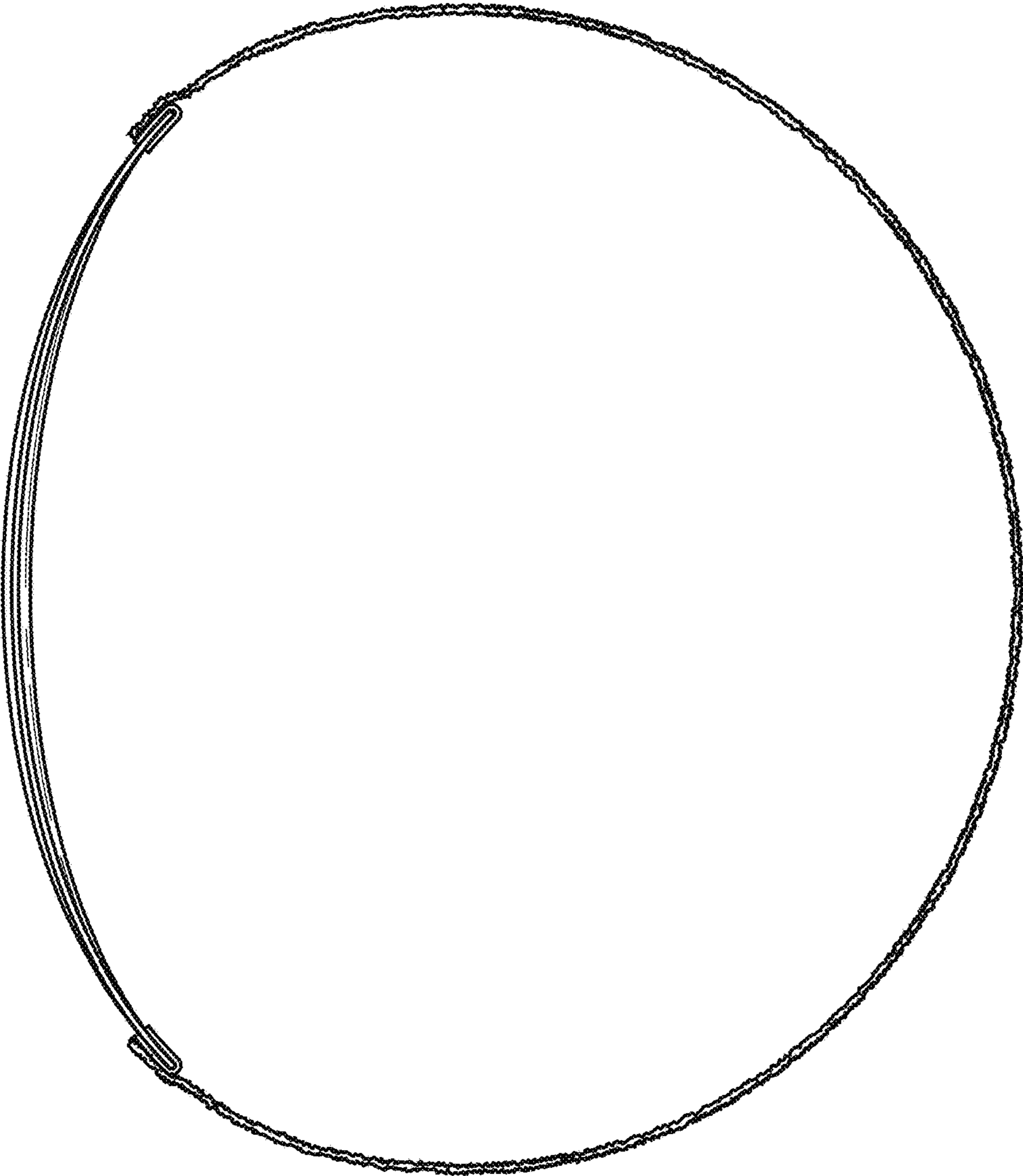


FIG. 6

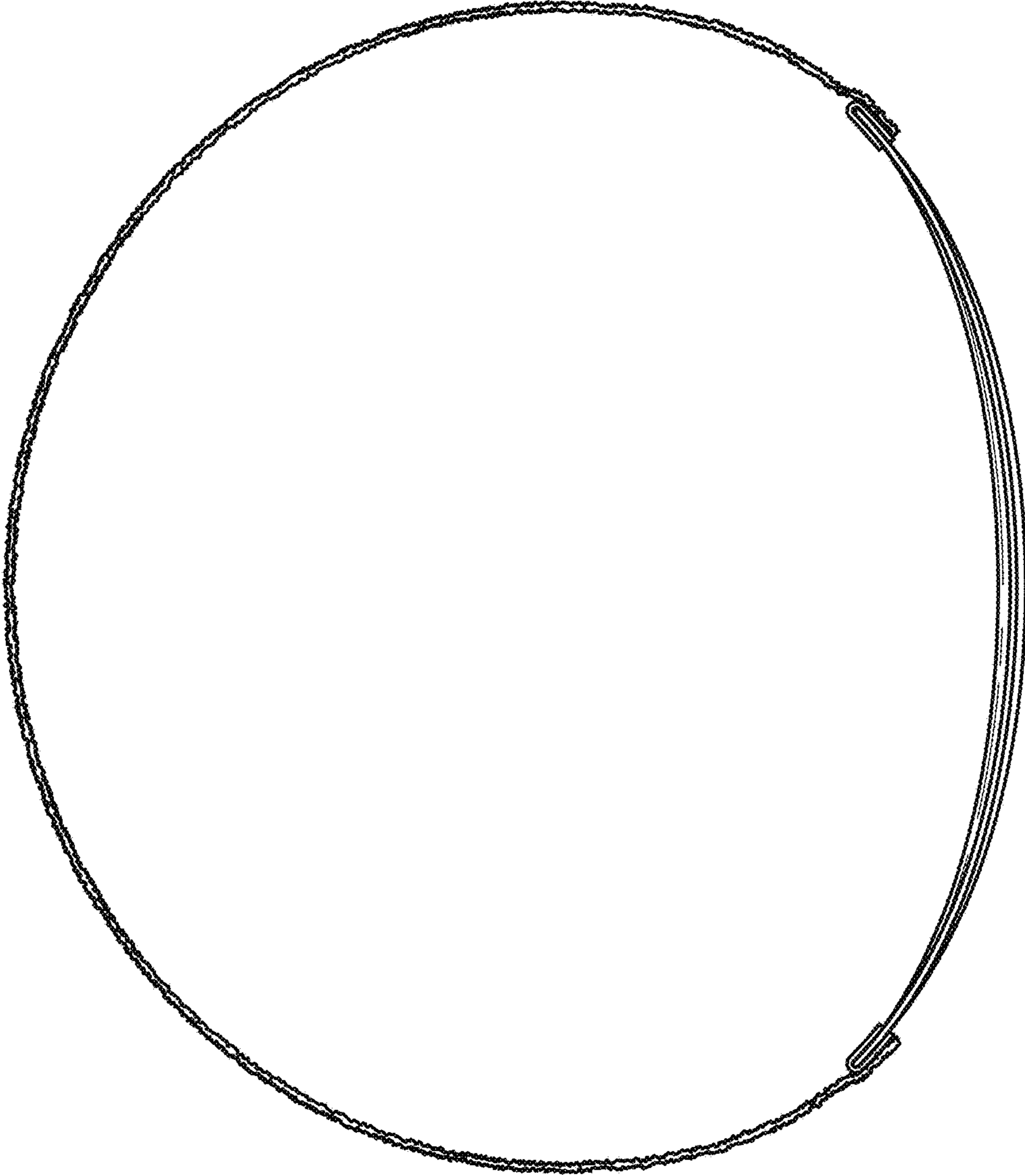


FIG. 7

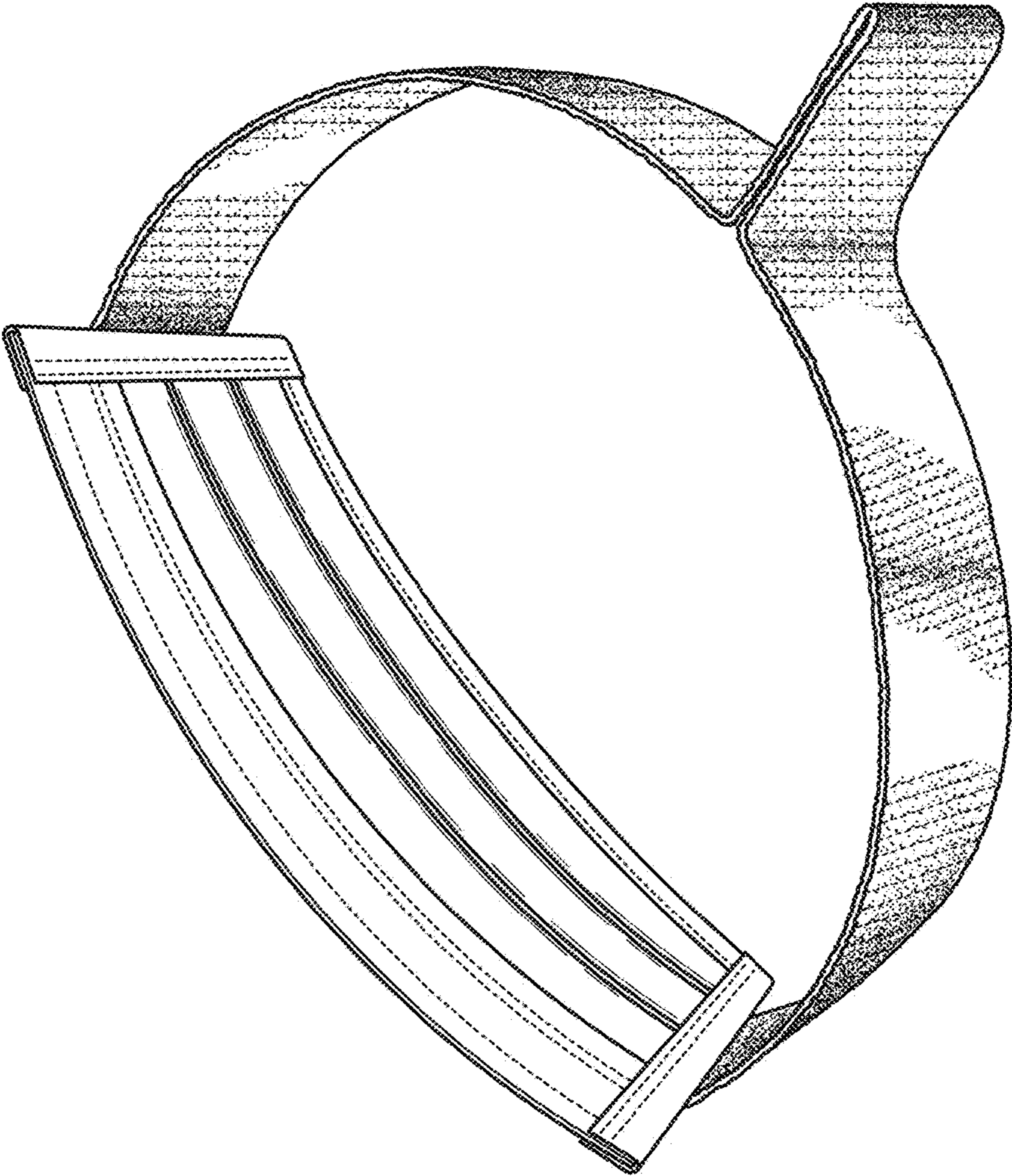


FIG. 8

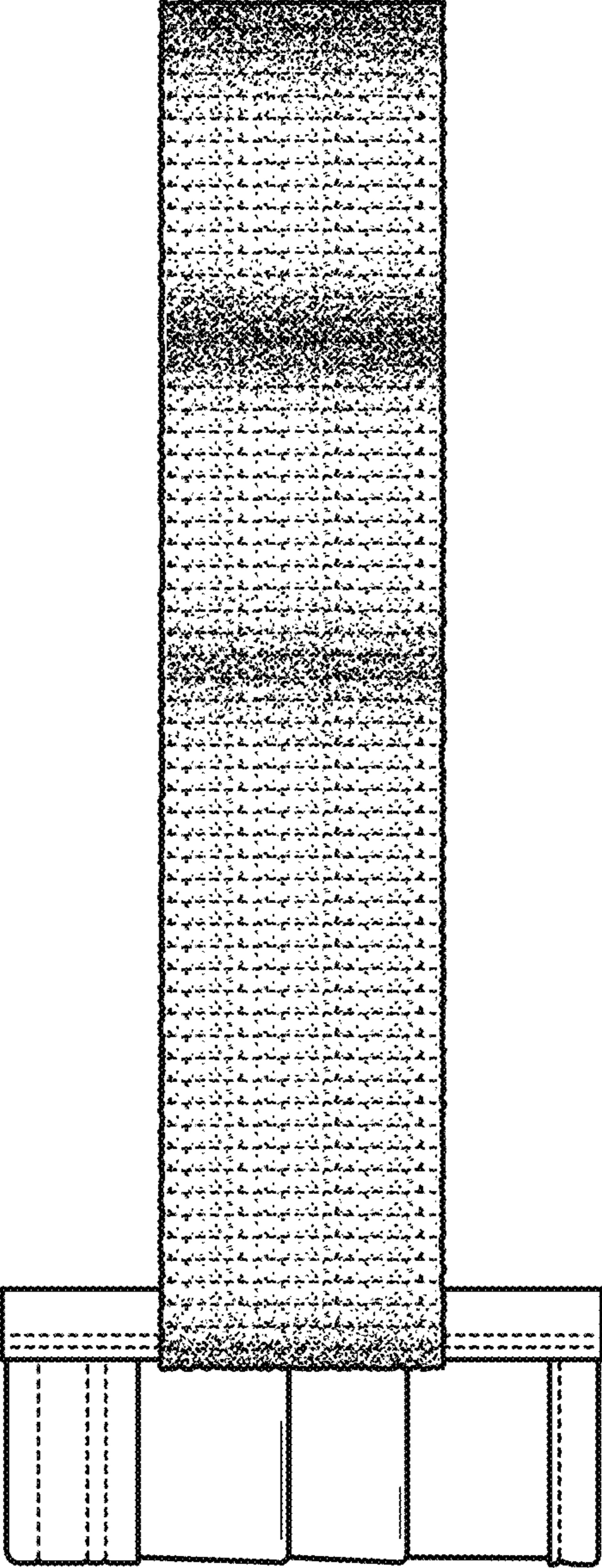


FIG. 9

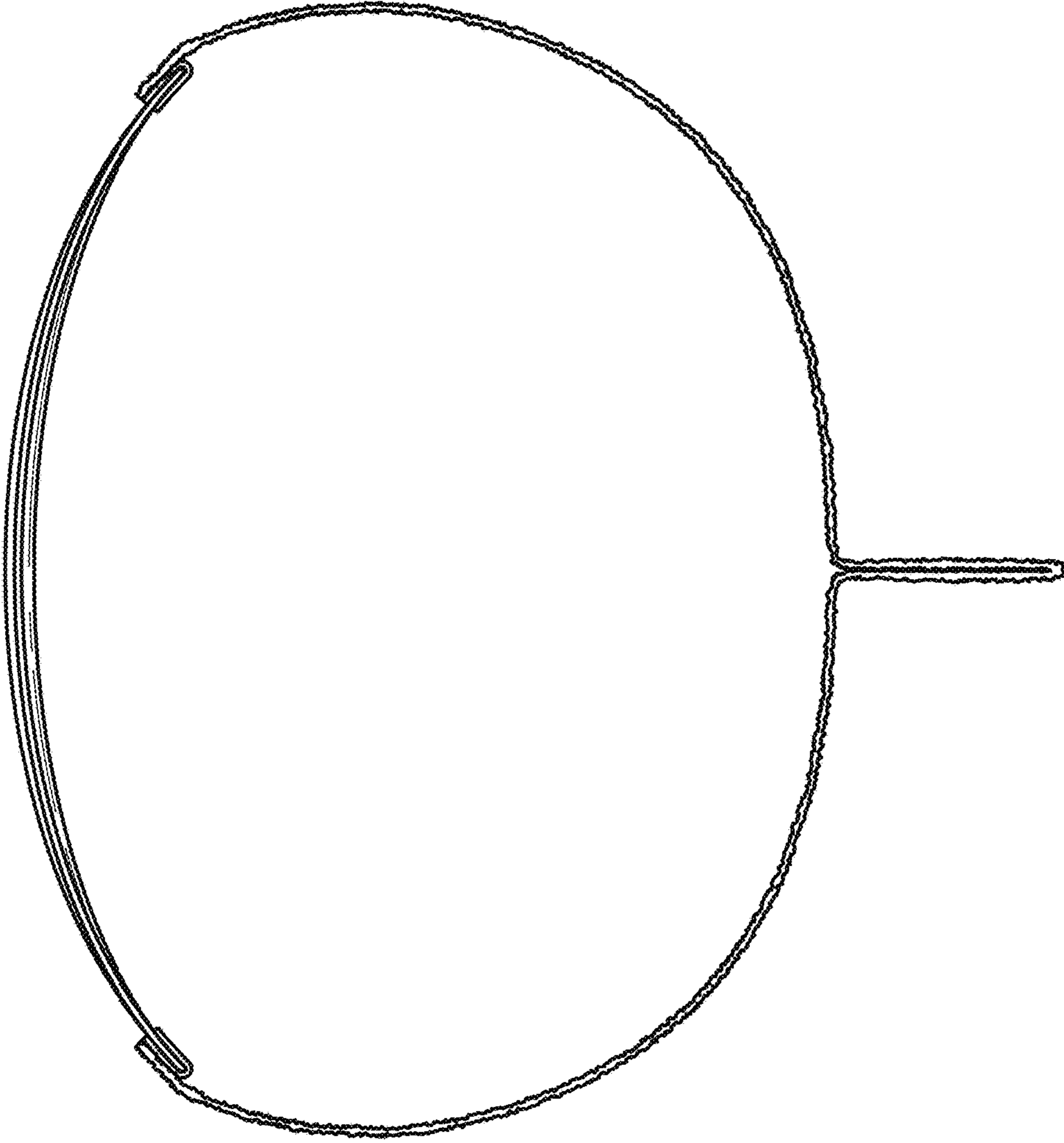


FIG. 10