

US00D837454S

(12) **United States Design Patent**
Latimore

(10) **Patent No.:** **US D837,454 S**
(45) **Date of Patent:** **** Jan. 1, 2019**

(54) **VEST**
(71) Applicant: **Williema Latimore**, Vineland, NJ
(US)
(72) Inventor: **Williema Latimore**, Vineland, NJ
(US)
(**) Term: **15 Years**
(21) Appl. No.: **29/647,261**
(22) Filed: **May 11, 2018**
(51) **LOC (11) Cl.** **29-02**
(52) **U.S. Cl.**
USPC **D29/101.4**
(58) **Field of Classification Search**
USPC D29/100, 101, 101.2, 101.3, 101.4, 122,
D29/124; D2/626, 829, 830, 860;
362/108; D21/805; 441/88, 106, 108,
441/111, 117; 182/3; 2/48, 51, 92, 102,
2/103, 105, 913, 914, 915
CPC A41D 1/00; A45F 3/00
See application file for complete search history.

6,182,291 B1 * 2/2001 Garvey A41D 13/0012
2/102
6,216,272 B1 * 4/2001 Rosengren A41D 13/0012
2/102
RE38,497 E 4/2004 Falk et al.
7,052,211 B1 * 5/2006 Curry B63C 11/08
405/186
D703,870 S * 4/2014 Bacquet D29/101.4
D744,202 S 12/2015 Brown
D764,147 S * 8/2016 Zhou D2/829
D764,752 S 8/2016 Atakhanian
D792,027 S 7/2017 Gill et al.

* cited by examiner

Primary Examiner — Randall H Gholson
(74) *Attorney, Agent, or Firm* — Cramer Patent & Design,
PLLC; Aaron R. Cramer

(56) **References Cited**

U.S. PATENT DOCUMENTS

1,389,689 A * 9/1921 Parker A41D 13/04
2/48
4,924,527 A * 5/1990 Hintermeyer A41B 13/103
2/46
D340,543 S * 10/1993 Ashton D2/828
D363,593 S 10/1995 Murray et al.
D399,637 S 10/1998 Suding

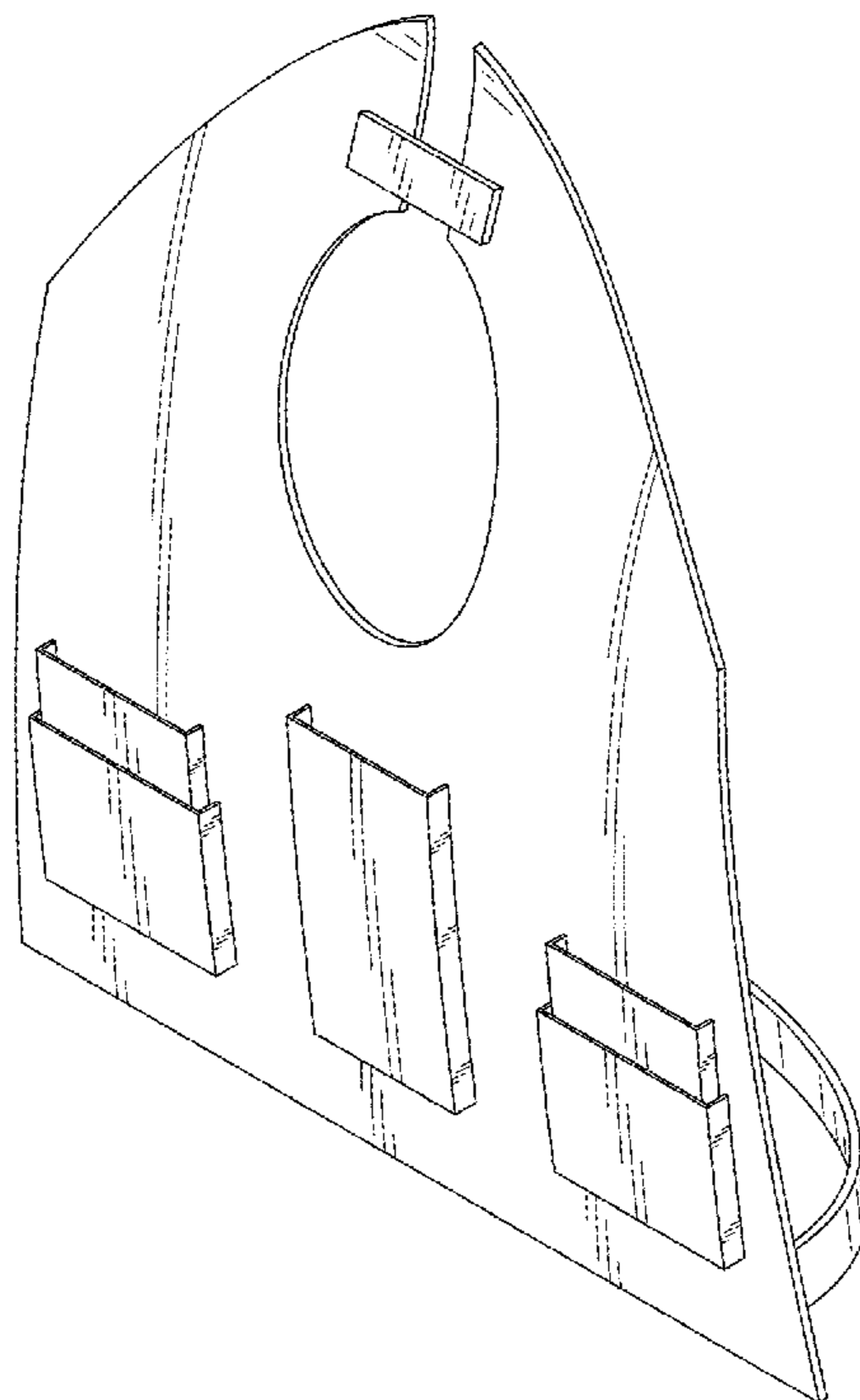
(57) **CLAIM**

The ornamental design for a vest, as shown and described.

DESCRIPTION

FIG. 1 is a perspective top front left view of a vest, showing my new design;
FIG. 2 is a perspective top rear right view thereof;
FIG. 3 is a front elevation view thereof;
FIG. 4 is a rear elevation view thereof;
FIG. 5 is a right elevation view thereof;
FIG. 6 is a left elevation view thereof;
FIG. 7 is a top plan view thereof; and,
FIG. 8 is a bottom plan view thereof.

1 Claim, 8 Drawing Sheets



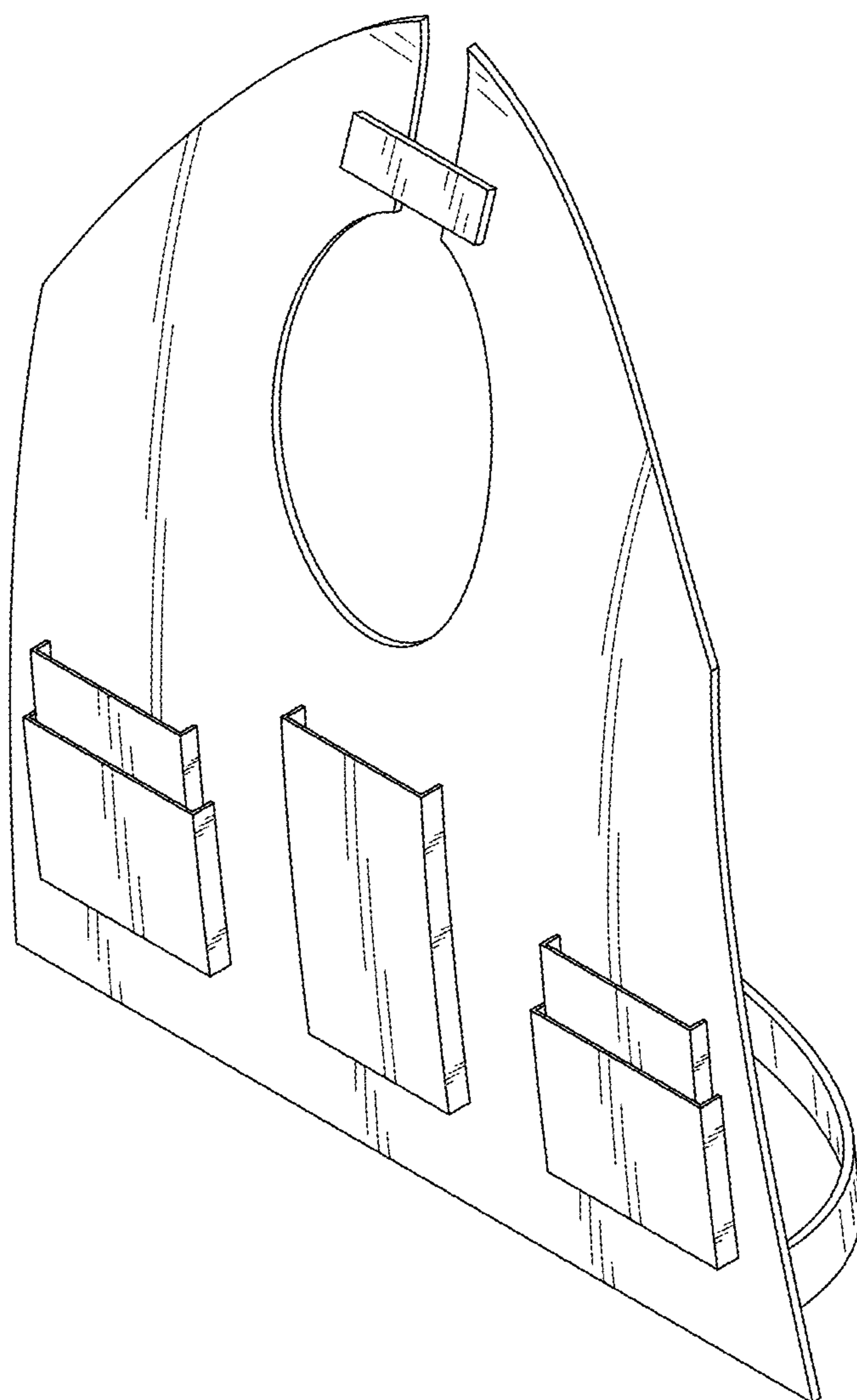


FIG. 1

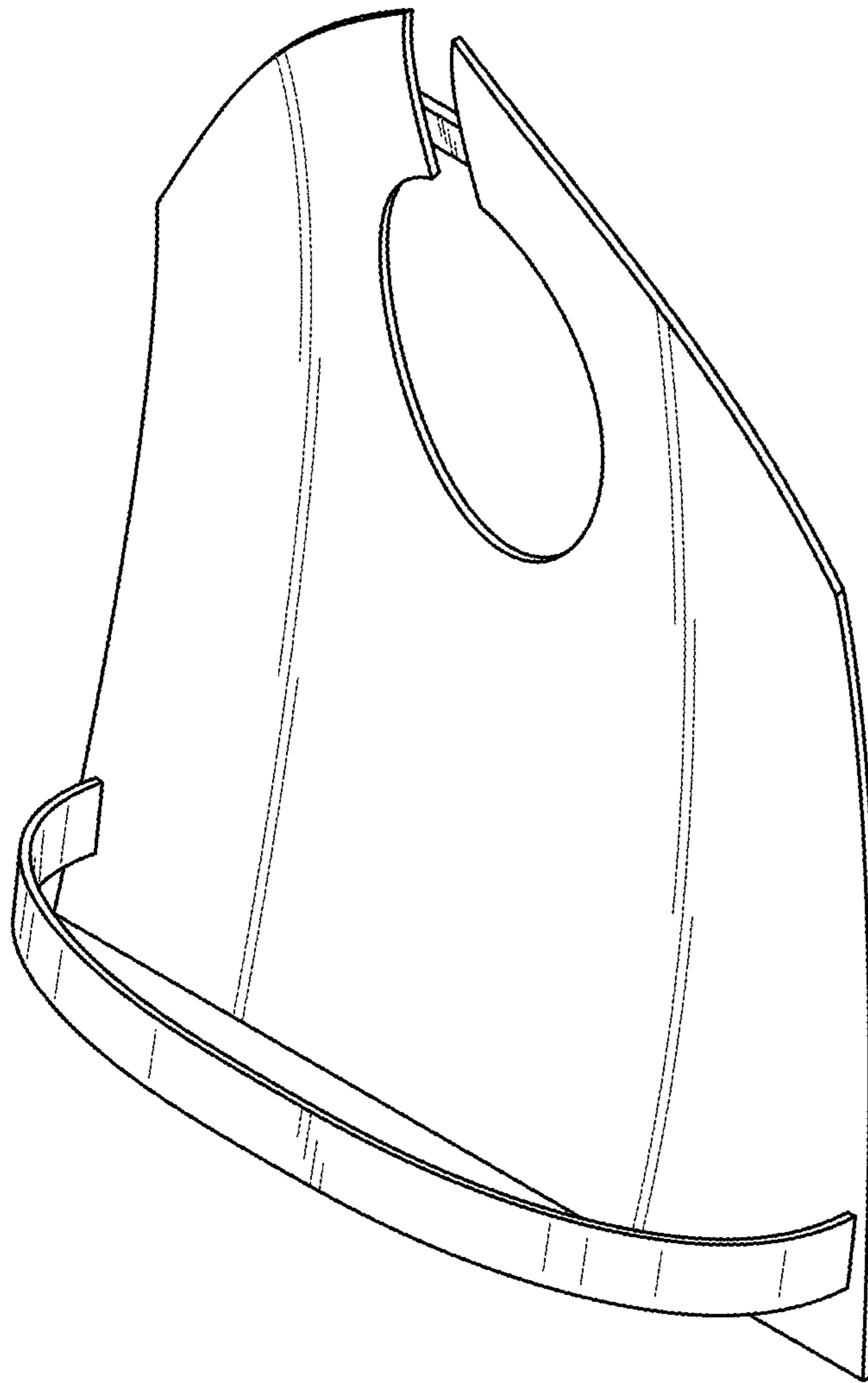


FIG. 2

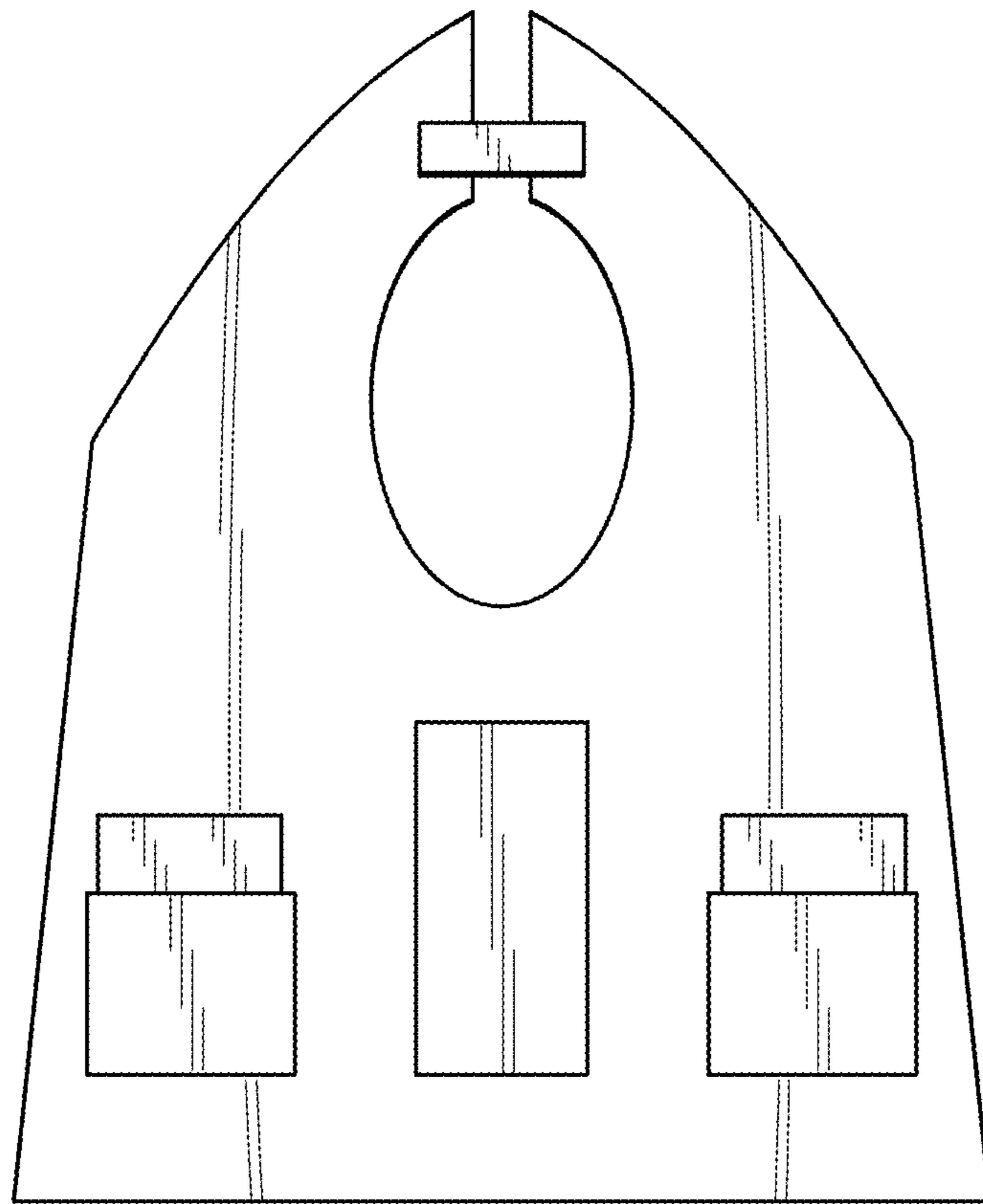


FIG. 3

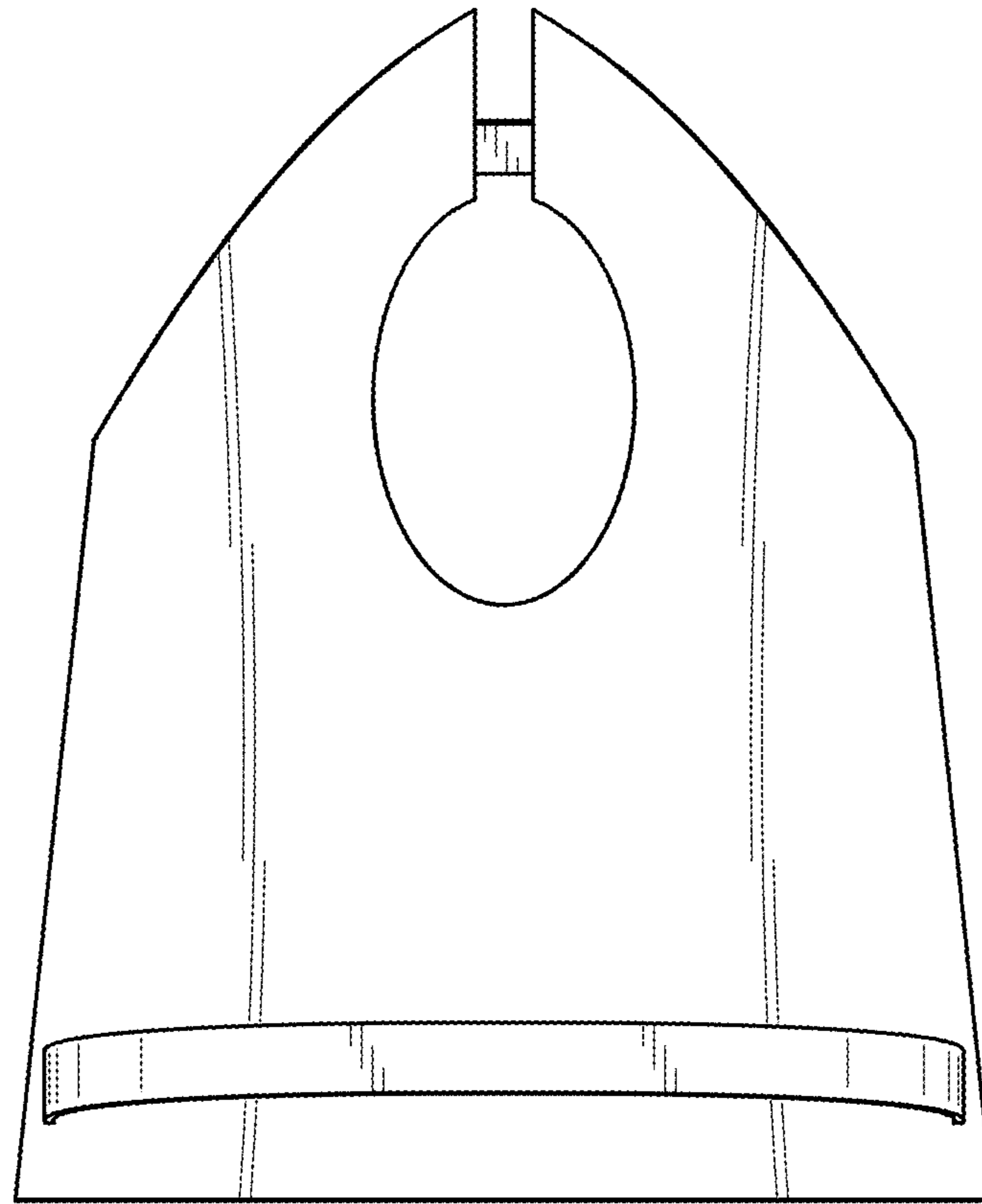


FIG. 4

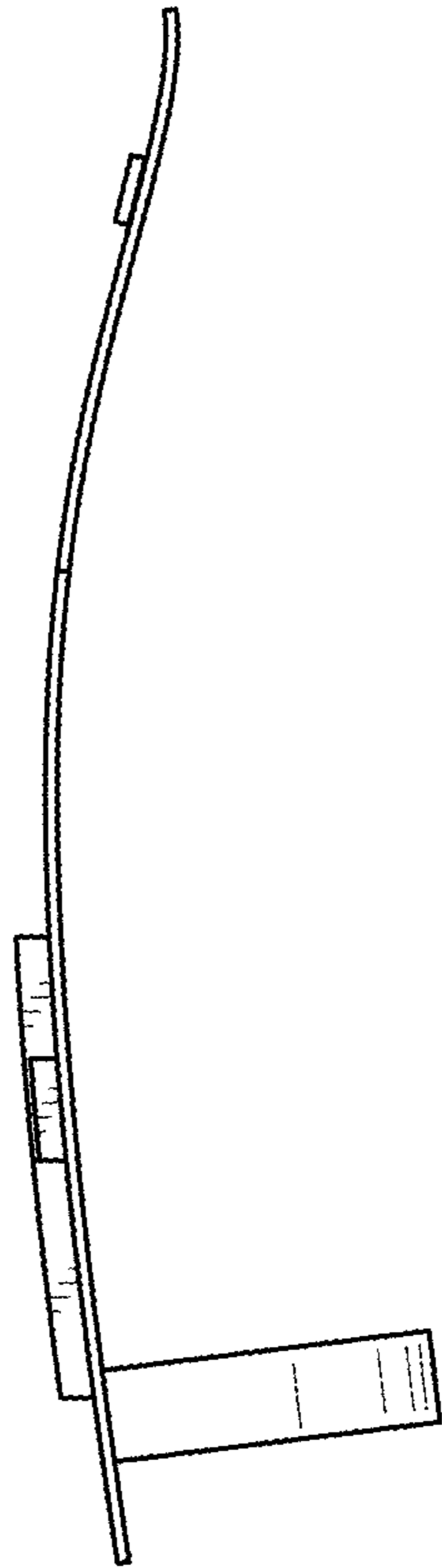


FIG. 5

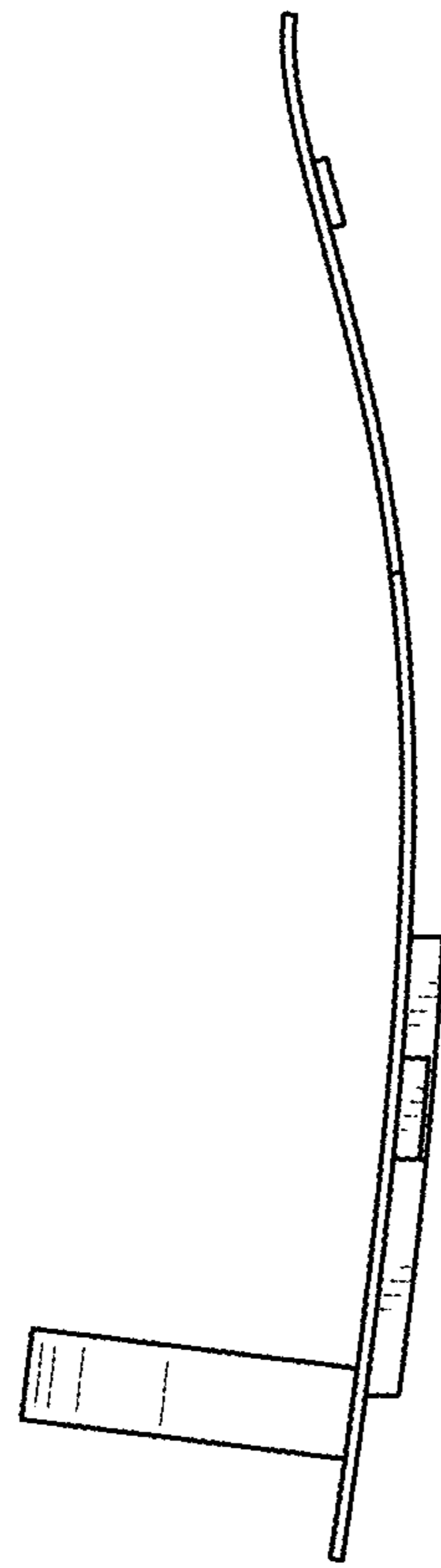


FIG. 6

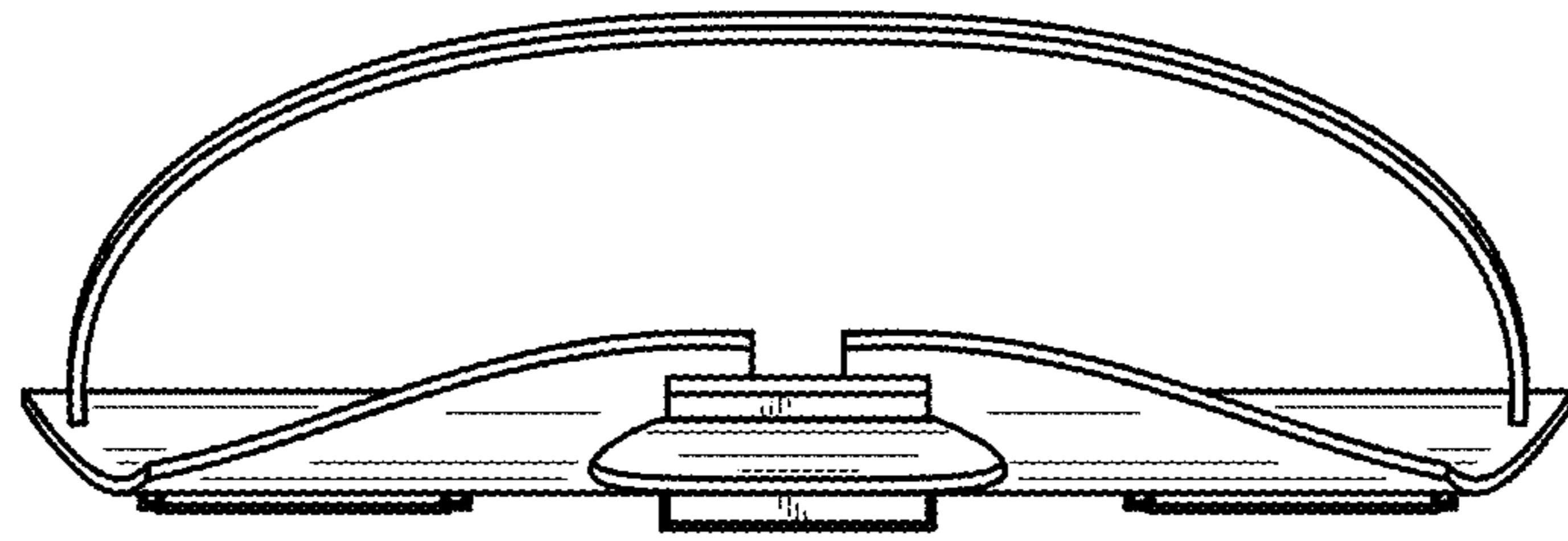


FIG. 7

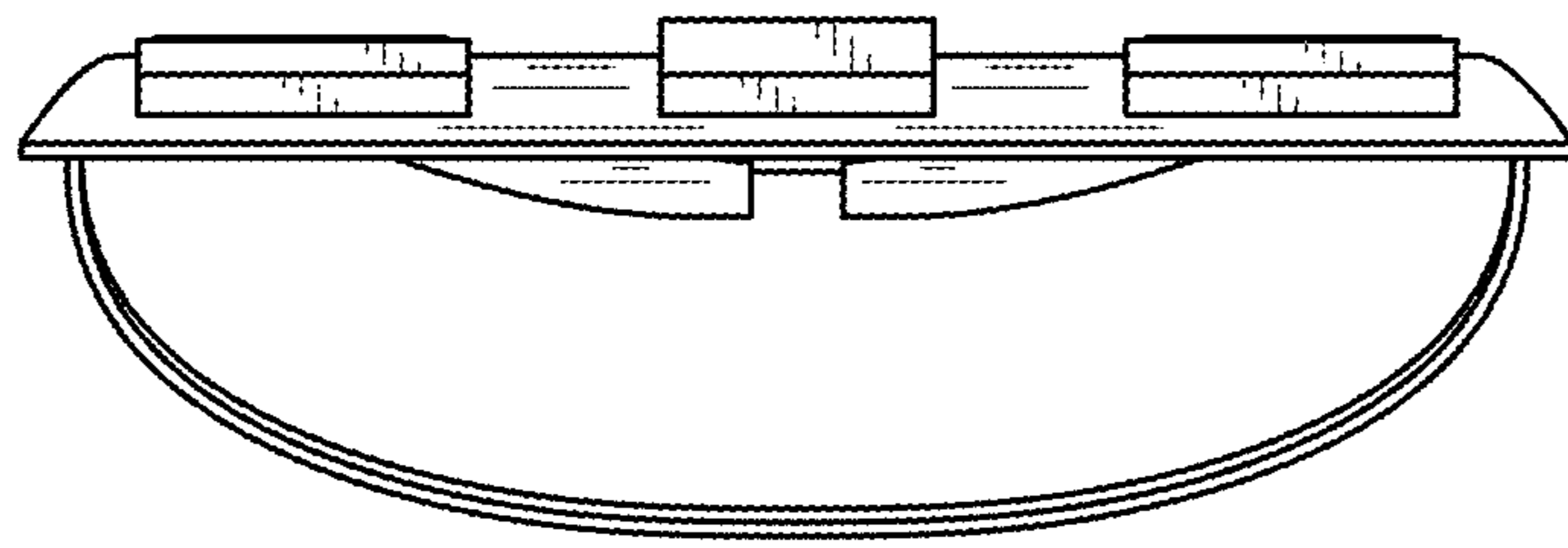


FIG. 8