



US00D837449S

(12) **United States Design Patent**
Sze et al.

(10) **Patent No.:** **US D837,449 S**
(45) **Date of Patent:** **** Jan. 1, 2019**

(54) **CLOSURE DEVICE FOR HAIR BARRETTE**

FOREIGN PATENT DOCUMENTS

(71) Applicant: **Tung Hing Plastic Manufactory Ltd.,**
Kowloon (CN)

DE 10315978 A1 * 1/2005 A45D 8/24

(72) Inventors: **Ka Chuen Sze,** Kowloon (CN);
Francois Pichon, Oyonnax (FR)

OTHER PUBLICATIONS

(73) Assignee: **Tung Hing Plastic Manufactory LTD.,**
Kowloon, Hong Kong (CN)

French Barrette Style Hair Clips, posted Apr. 28, 2011 [online],
retrieved Jul. 2, 2018, retrieved from internet, <<https://www.amazon.com/French-Barrette-Style-Clips-23008/dp/B000U1U4SW>>.*

(**) Term: **15 Years**

Primary Examiner — Barbara Fox

Assistant Examiner — Messina L Smith

(21) Appl. No.: **29/617,614**

(74) *Attorney, Agent, or Firm* — Heslin Rothenberg

(22) Filed: **Sep. 14, 2017**

Farley & Mesiti P.C.; Kristian E. Ziegler; Melvin S. Li

(51) **LOC (11) Cl.** **28-03**

(52) **U.S. Cl.**
USPC **D28/43**

(57) **CLAIM**

(58) **Field of Classification Search**
USPC D11/3, 4, 5, 6; D28/10, 21–34, 39, 40,
D28/41, 42, 43, 92; D29/112, 108, 104
CPC A45D 2008/002; A45D 2008/004; A45D
2008/006; A45D 2008/008; A45D 8/00;
A45D 8/34; A45D 8/36; F16L 11/11
See application file for complete search history.

The ornamental design for a closure device for hair barrette,
as shown and described.

DESCRIPTION

(56) **References Cited**

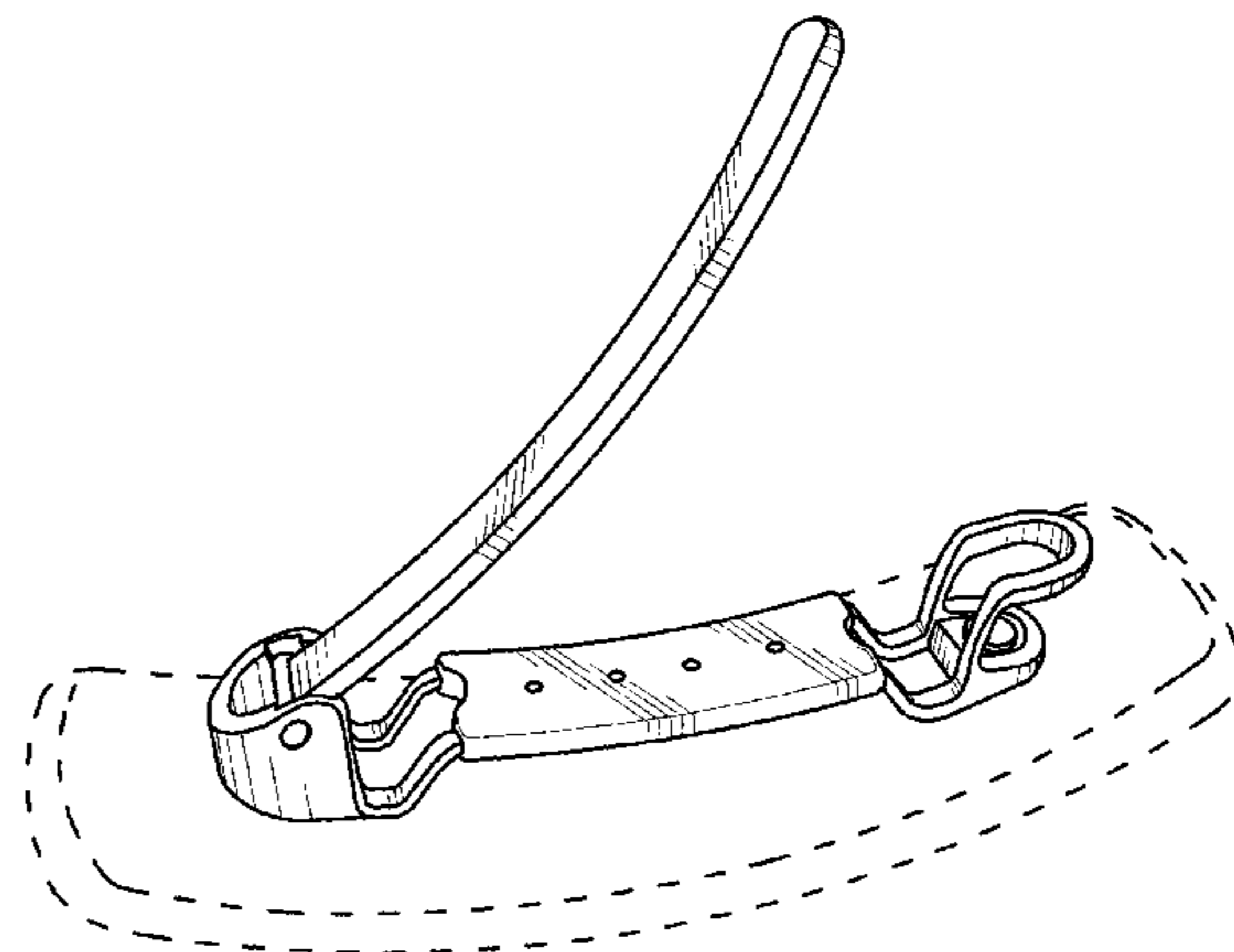
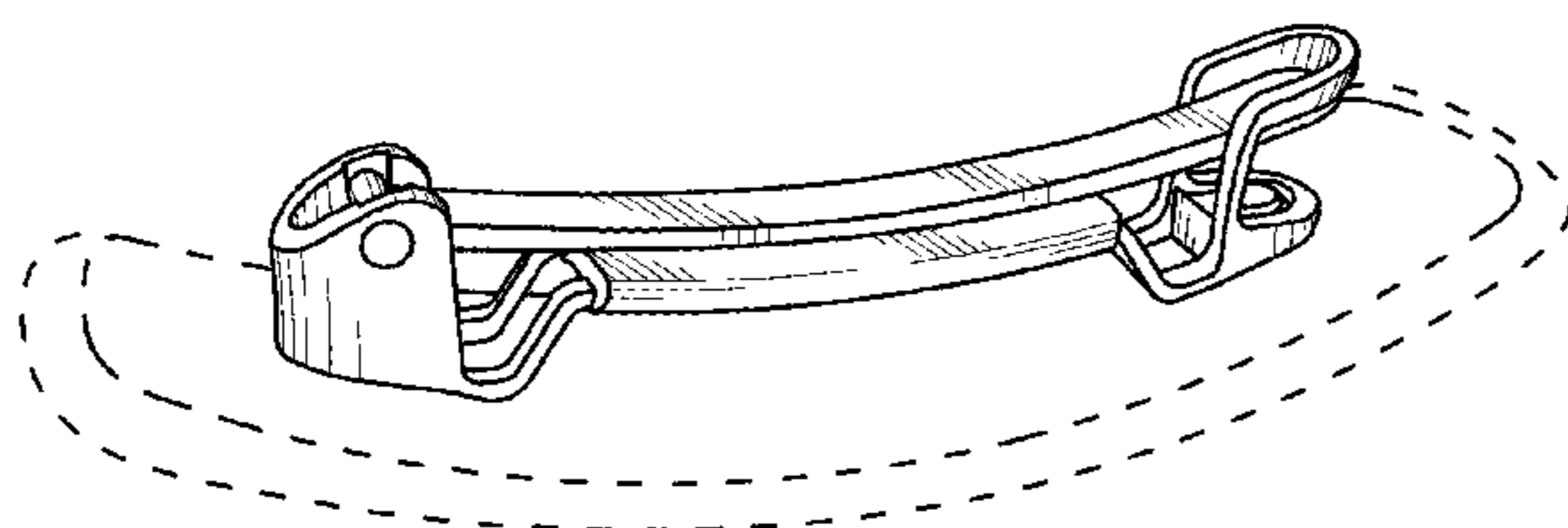
U.S. PATENT DOCUMENTS

3,645,278	A *	2/1972	Abraham	A45D 8/28 132/278
3,805,813	A *	4/1974	Laughton	A45D 8/24 132/279
D359,144	S *	6/1995	Healzer	D28/42
5,495,862	A *	3/1996	Dewing	A45D 8/24 132/278
D375,817	S *	11/1996	Nicholson	D28/42
5,634,480	A *	6/1997	Lu	A45D 8/26 132/275
5,682,909	A *	11/1997	Yasuda	A45D 8/24 132/279
5,699,815	A *	12/1997	Furukawa	A45D 8/24 132/275
5,709,231	A *	1/1998	Yasuda	A45D 8/24 132/278

(Continued)

FIG. 1 is a top view of a closure device for hair barrette
showing the new design;
FIG. 2 is an end view thereof;
FIG. 3 is a side view thereof;
FIG. 4 is another side view thereof, opposite of FIG. 3;
FIG. 5 is another end view thereof, opposite of FIG. 2;
FIG. 6 is a bottom view thereof;
FIG. 7 is a perspective view thereof showing the closure
device in a closed configuration;
FIG. 8 is another perspective view thereof showing the
closure device in an open configuration; and,
FIG. 9 is another perspective view thereof showing the
closure device in an open configuration.
The broken lines in the drawings depict portions of the
closure device for hair barrette that form no part of the
claimed design.

1 Claim, 5 Drawing Sheets



(56)

References Cited

U.S. PATENT DOCUMENTS

5,816,267 A * 10/1998 Chou A45D 8/30
132/145
5,857,469 A * 1/1999 Sowell A45D 8/24
132/275
5,862,814 A * 1/1999 Janik A45D 8/26
132/275
6,257,251 B1 * 7/2001 Burleson A45D 8/24
132/279
6,295,995 B1 * 10/2001 Ewaka A45D 8/00
132/275
9,049,914 B2 6/2015 Sze
2004/0182412 A1 * 9/2004 Vogel A45D 8/24
132/279
2006/0162738 A1 * 7/2006 Chudzik A45D 8/24
132/278
2007/0079846 A1 * 4/2007 Keating A45D 8/26
132/278
2007/0256701 A1 * 11/2007 Benz A45D 8/24
132/278
2008/0142035 A1 * 6/2008 Hsu A45D 8/24
132/279
2008/0156343 A1 * 7/2008 Chininis A45D 8/26
132/278
2010/0012144 A1 * 1/2010 Recchion A45D 8/28
132/279

* cited by examiner

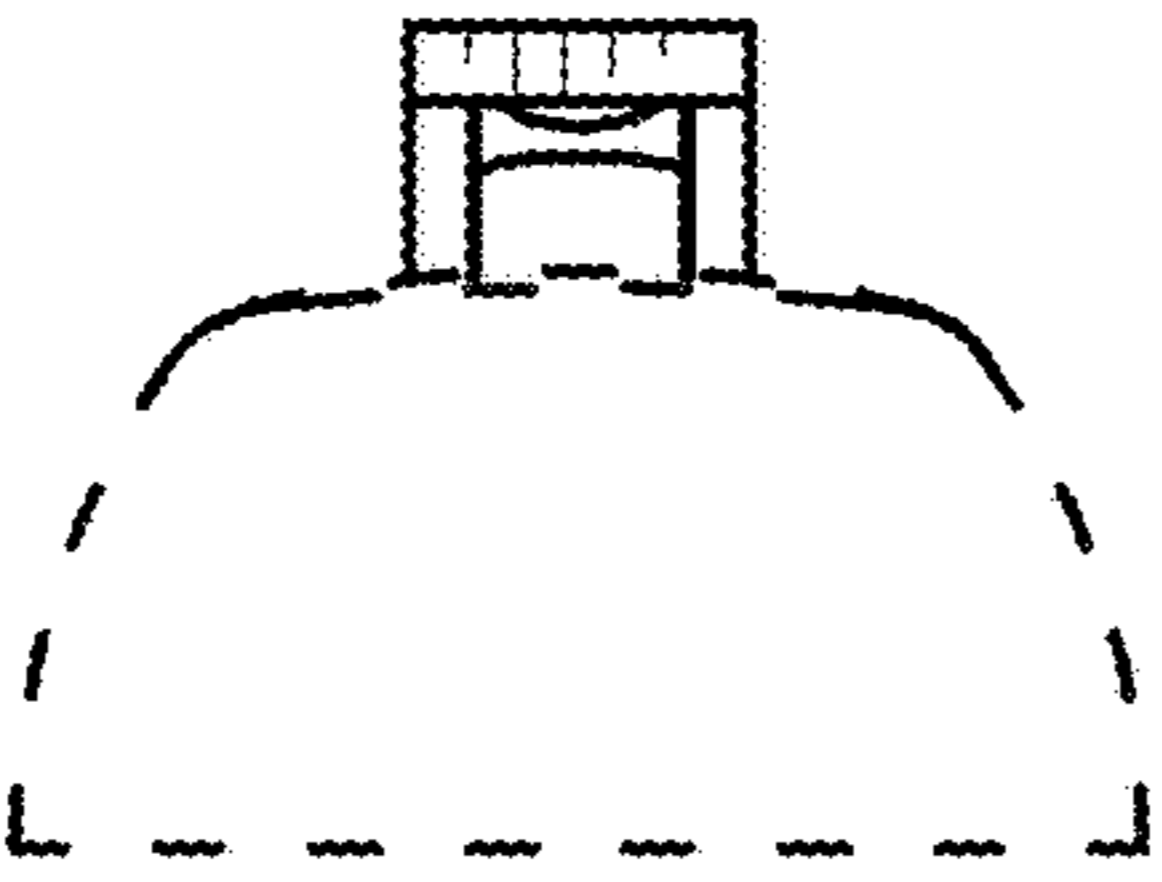


Fig. 2

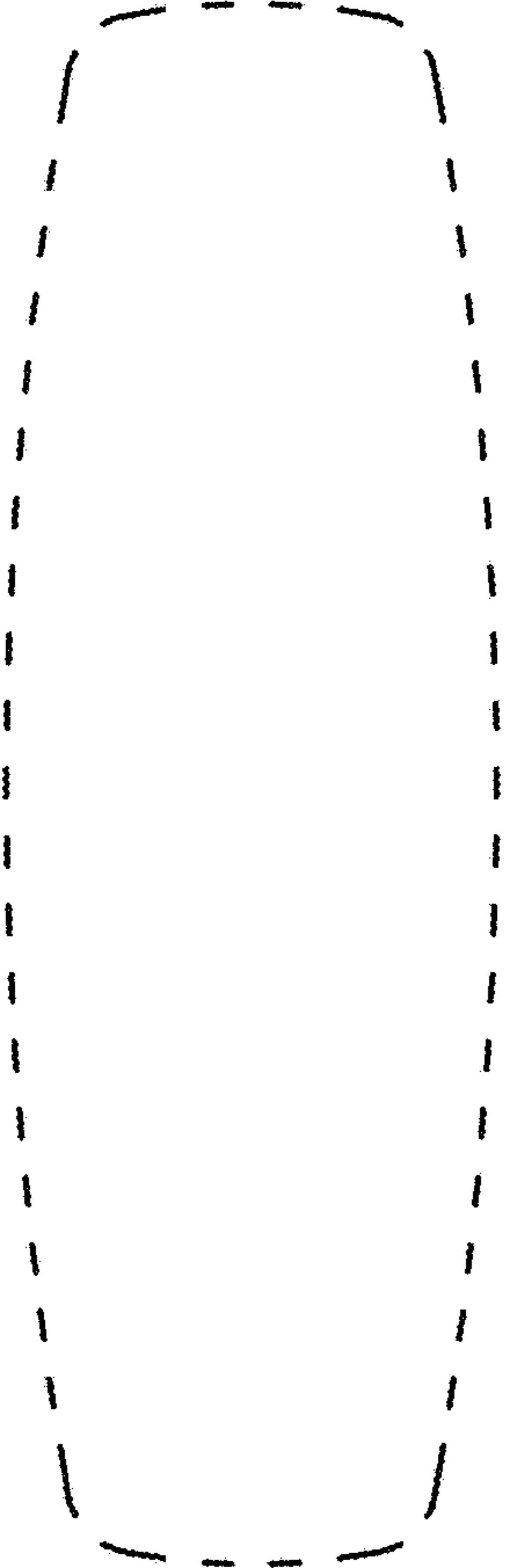


Fig. 1

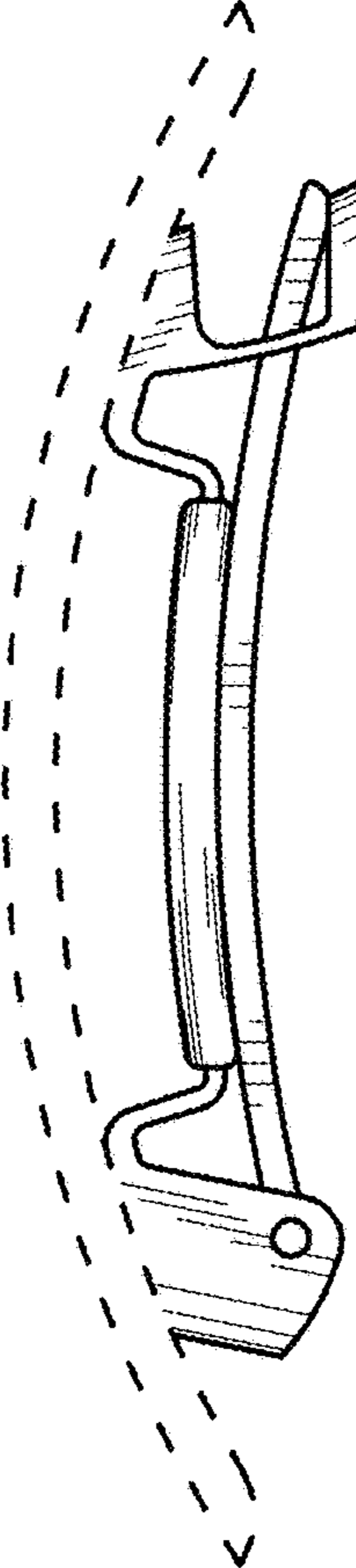


Fig. 3

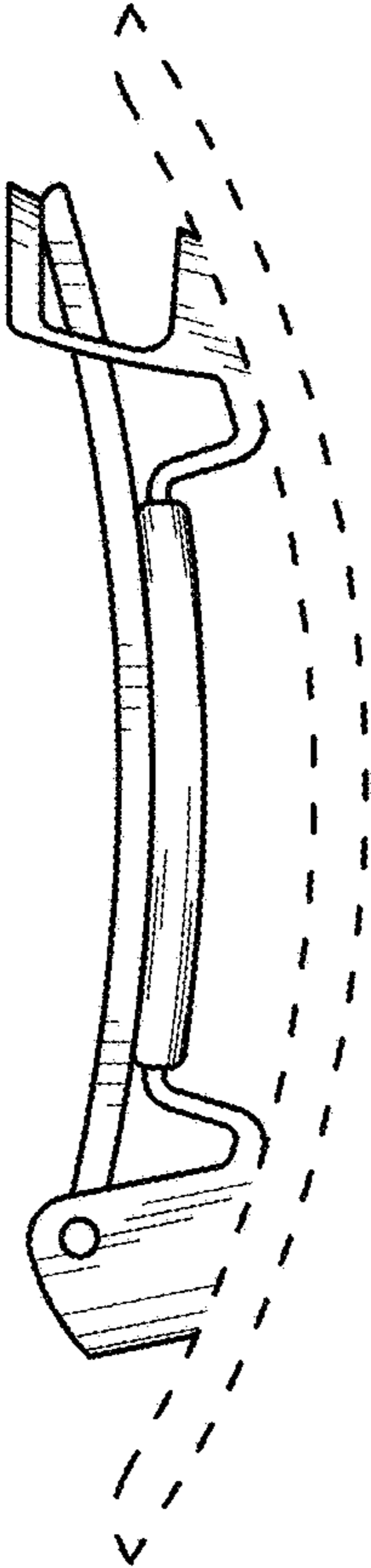


Fig. 4

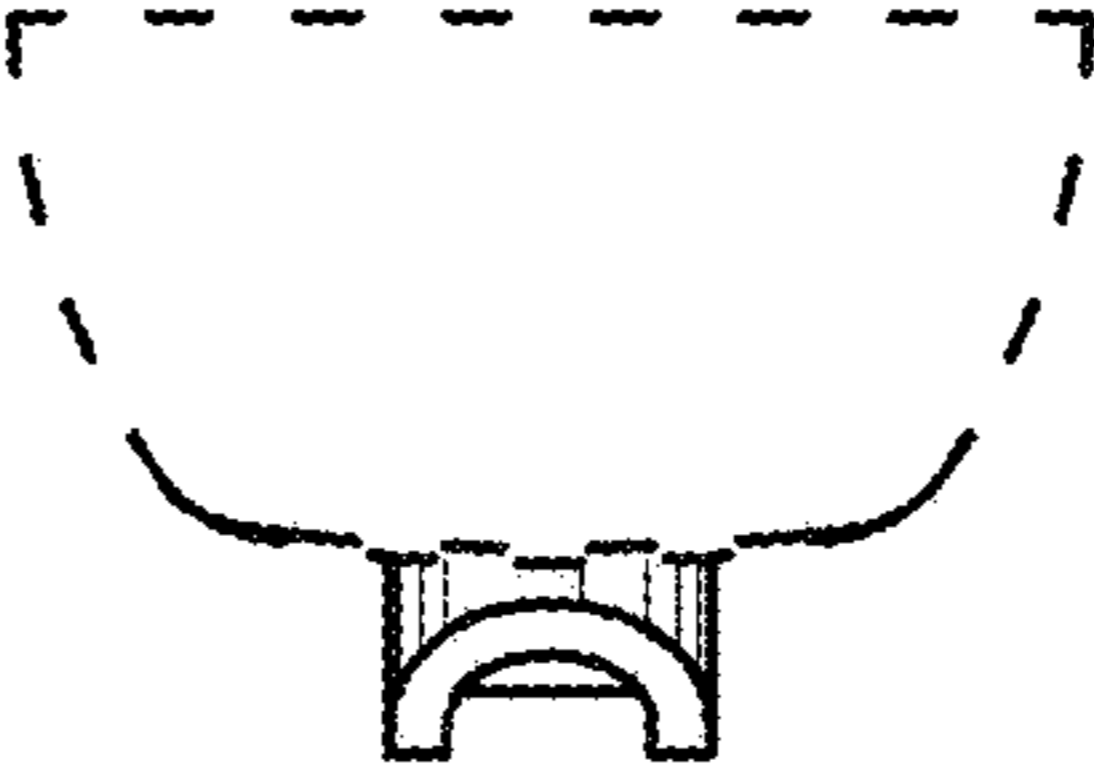


Fig. 5

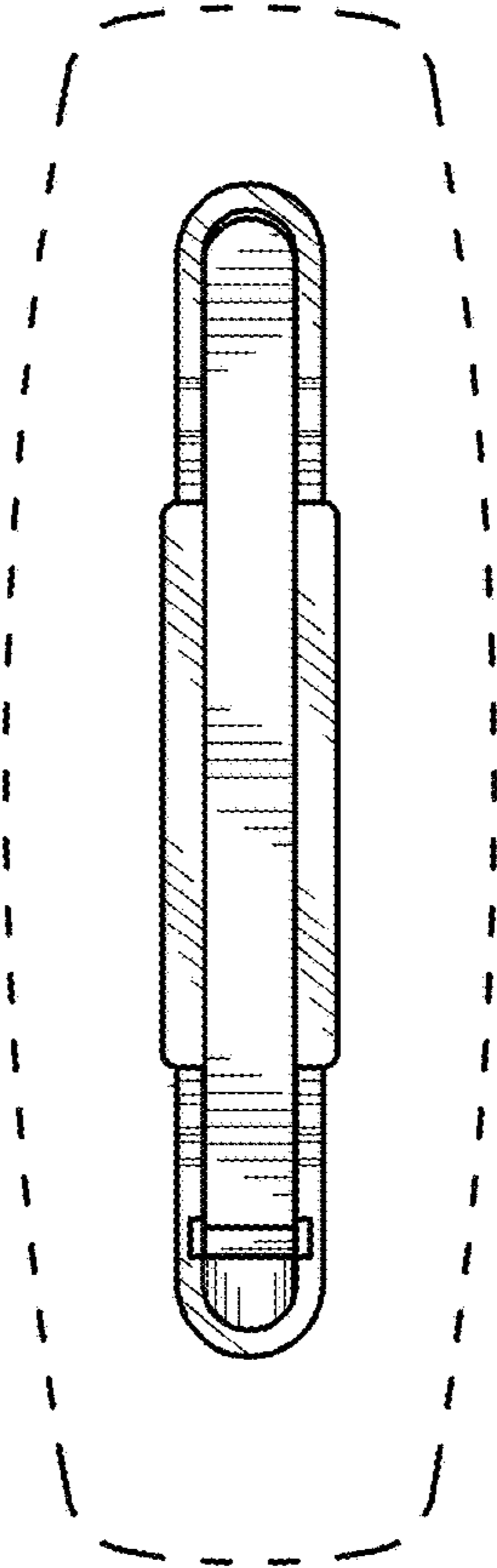


Fig. 6

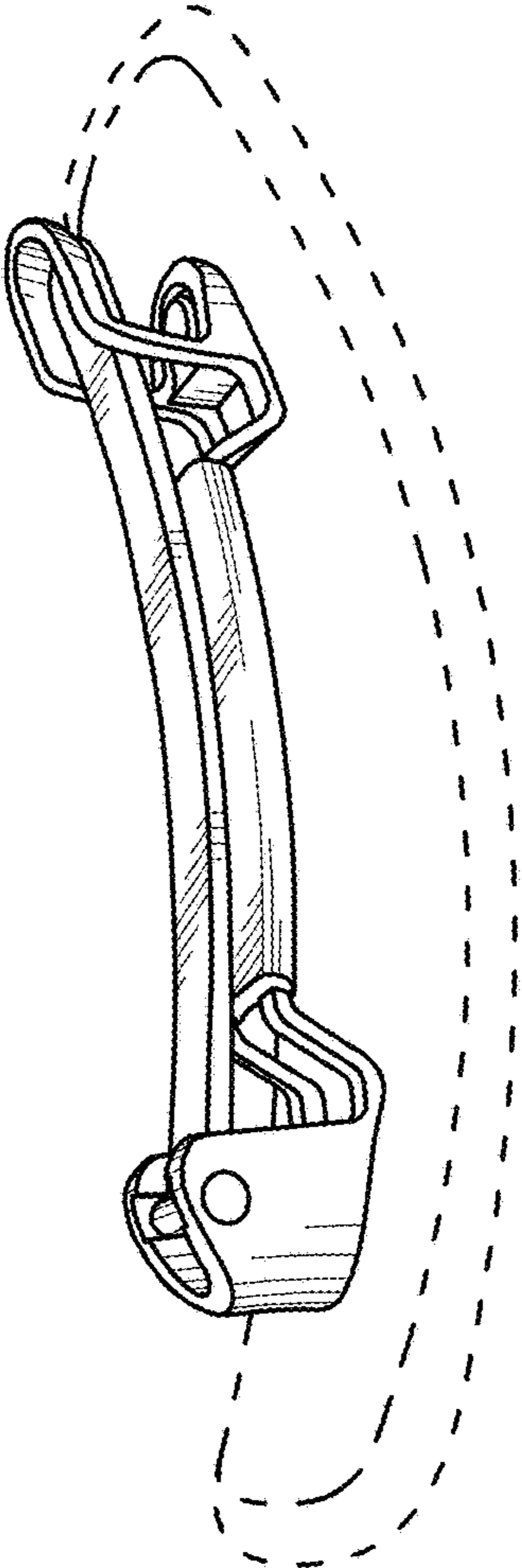


Fig. 7

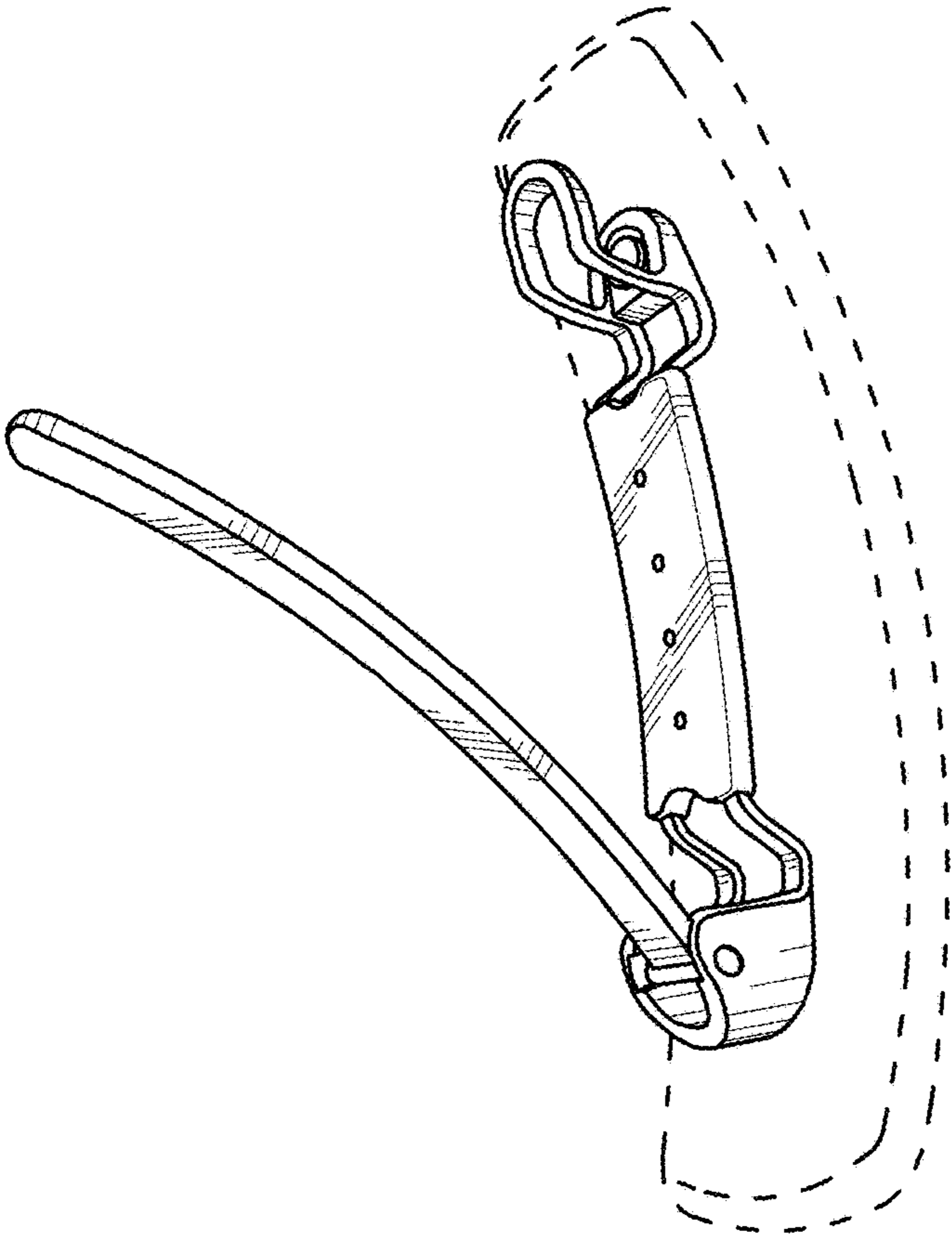


Fig. 8

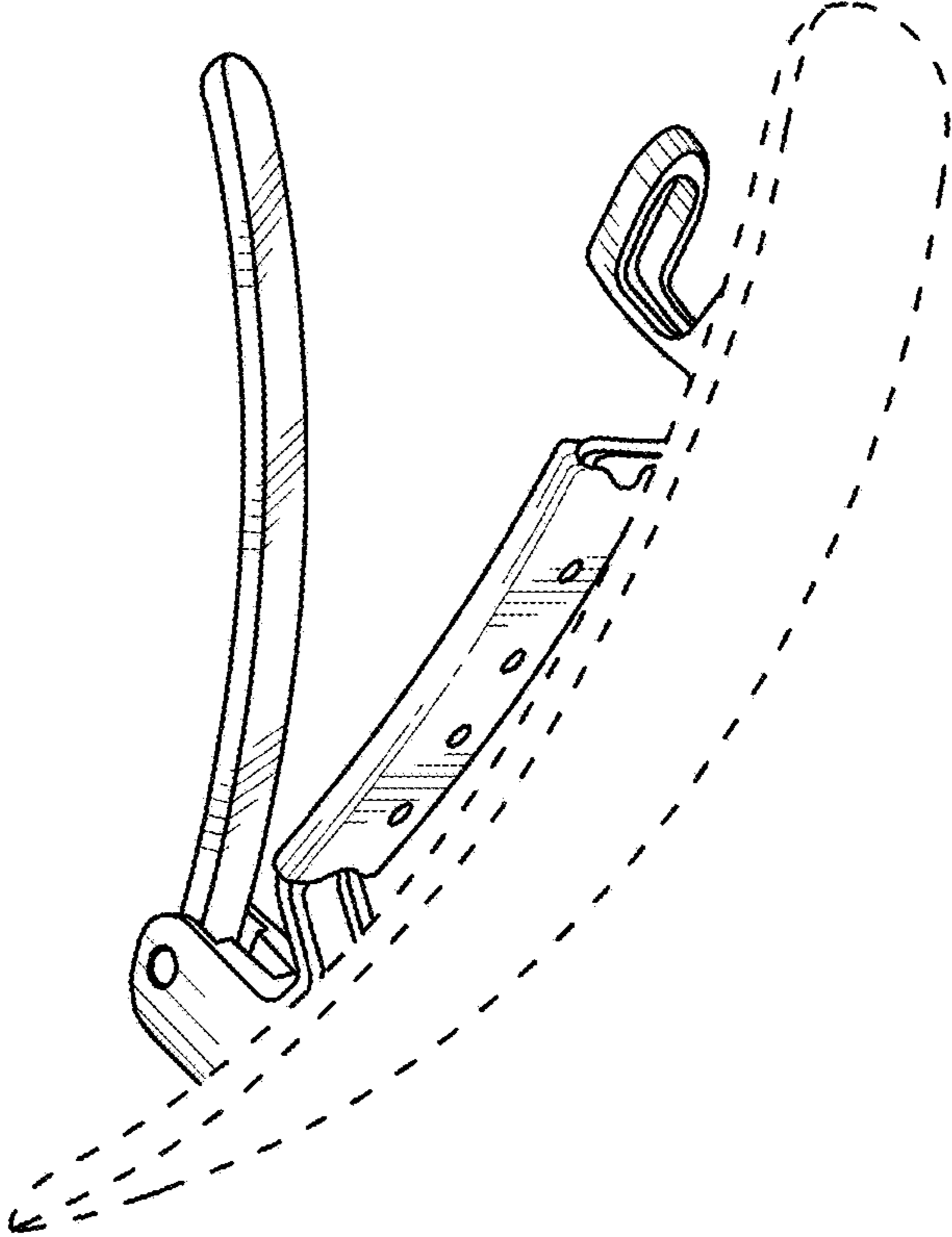


Fig. 9