

US00D837447S

(12) **United States Design Patent** (10) **Patent No.:** **US D837,447 S**
Aspgren (45) **Date of Patent:** **** Jan. 1, 2019**

(54) **ORAL SNUFF PACKAGE** 5,934,809 A 8/1999 Marbler
D478,276 S 8/2003 Möbs et al.
(71) Applicant: **SWEDISH MATCH NORTH** D489,606 S * 5/2004 Lofman D9/707
EUROPE AB, Stockholm (SE) D580,784 S 11/2008 Kila
D602,376 S 10/2009 Coulson
(72) Inventor: **Thom Aspgren**, Hisings Backa (SE) D603,719 S 11/2009 Atkin
D610,467 S 2/2010 Kozarsky
D619,478 S 7/2010 Drewnowski
(73) Assignee: **Swedish Match North Europe AB**, D625,047 S * 10/2010 Gibson D27/183
Stockholm (SE) (Continued)

(**) Term: **15 Years**

FOREIGN PATENT DOCUMENTS

(21) Appl. No.: **29/542,364** WO WO 2010/104464 9/2010
WO WO 2012/134380 10/2012
(22) Filed: **Oct. 13, 2015** WO WO 2013/174991 11/2013

(30) **Foreign Application Priority Data**

OTHER PUBLICATIONS

Apr. 17, 2015 (EM) 002683367-0001
Apr. 17, 2015 (EM) 002683367-0002
Apr. 17, 2015 (EM) 002683367-0003
Apr. 17, 2015 (EM) 002683367-0004
Apr. 17, 2015 (EM) 002683367-0005
Apr. 17, 2015 (EM) 002683367-0006

Skruf Slim Fresh White by James dated Jul. 22, 2012. found online
[Feb. 20, 2018] <http://blog.northerner.com/reviews/snus-reviews/skruf-slim-fresh-white/#imageclose-671>.*

(51) **LOC (11) Cl.** **27-06**
(52) **U.S. Cl.**
USPC **D27/185**

(Continued)
Primary Examiner — Brandon M Rosati
Assistant Examiner — Marissa J Cash
(74) *Attorney, Agent, or Firm* — Knobbe Martens Olson
& Bear LLP

(58) **Field of Classification Search**
USPC D27/100, 101, 162, 163, 172, 183, 184,
D27/185, 186, 187, 188, 189, 193, 194;
D9/643, 707, 713
CPC A24F 23/02
See application file for complete search history.

(57) **CLAIM**
The ornamental design for an oral snuff package, as shown
and described.

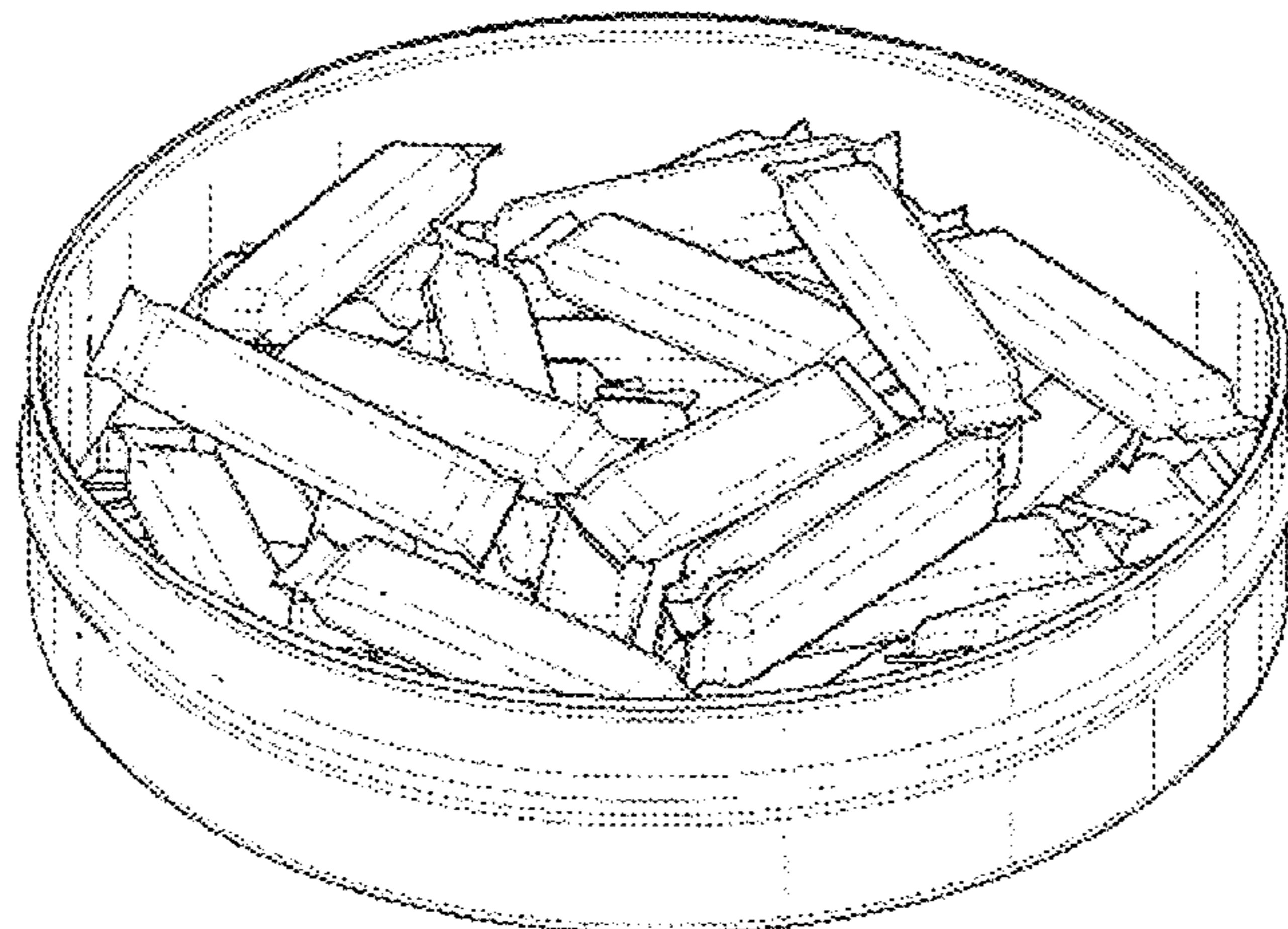
DESCRIPTION

(56) **References Cited**
U.S. PATENT DOCUMENTS

FIG. 1 is a first perspective view of an oral snuff package
according to the present design.
FIG. 2 is a second perspective view of the oral snuff
package.
FIG. 3 is a top view of the oral snuff package.
FIG. 4 is a side view of the oral snuff package; and,
FIG. 5 is a bottom view of the oral snuff package.

3,990,872 A 11/1976 Cullen
4,428,477 A 1/1984 Cristofolo
5,445,454 A 8/1995 Barkhorn
D365,981 S 1/1996 Sullivan
5,655,842 A 8/1997 Hagino
D394,605 S 5/1998 Skiba et al.

1 Claim, 5 Drawing Sheets



(56)

References Cited

U.S. PATENT DOCUMENTS

D626,687 S * 11/2010 Gibson D27/183
 D627,236 S 11/2010 Kozarsky
 D640,566 S * 6/2011 Norlin D9/707
 D643,745 S 8/2011 Hartley
 D651,519 S * 1/2012 Gibson D9/428
 D651,923 S * 1/2012 Cronin D27/172
 D653,127 S * 1/2012 Cronin D27/172
 D665,270 S * 8/2012 Leclezio D9/707
 D673,460 S 1/2013 Lee
 D674,134 S * 1/2013 Carroll D27/100
 D683,497 S * 5/2013 Ghiotti D27/186
 D683,498 S * 5/2013 Ghiotti D27/186
 D693,961 S * 11/2013 Fish D27/100
 8,690,431 B2 4/2014 Hughes
 D713,598 S * 9/2014 Ghiotti D27/186
 D729,974 S * 5/2015 Sommarstrom D27/100
 D732,732 S * 6/2015 Rushforth D27/100
 D748,329 S * 1/2016 Bagai D27/186
 D753,871 S * 4/2016 Aspgren D27/100
 D756,790 S * 5/2016 Henriksson; Nina D9/504
 D756,800 S 5/2016 Fenech, III
 D768,511 S * 10/2016 Kovacovich D27/183
 D772,724 S 11/2016 Boekeloo
 D775,415 S * 12/2016 Beardsall D27/187
 D777,973 S * 1/2017 Sommarstrom D27/100
 D777,974 S * 1/2017 Rushforth D27/100
 D777,975 S * 1/2017 Rushforth D27/100
 D784,602 S * 4/2017 Sommarstrom D27/100
 D784,603 S * 4/2017 Sommarstrom D27/100
 D784,604 S * 4/2017 Sommarstrom D27/100
 D784,605 S * 4/2017 Rushforth D27/100
 D784,606 S * 4/2017 Rushforth D27/100
 D784,607 S * 4/2017 Rushforth D27/100
 D784,608 S * 4/2017 Rushforth D27/100
 D801,828 S * 11/2017 Persson; Tony D9/707
 D802,836 S * 11/2017 Ghiotti D27/186
 D804,721 S * 12/2017 Ghiotti D27/186
 2011/0180087 A1 * 7/2011 Gee A24B 13/00
 131/352
 2011/0240048 A1 * 10/2011 Winterson A24B 13/00
 131/352
 2012/0167902 A1 * 7/2012 MacKo A24B 13/00
 131/112
 2012/0291794 A1 * 11/2012 Kawata A24B 13/00
 131/352
 2014/0069829 A1 * 3/2014 Evans A24F 23/02
 206/265

2014/0130813 A1 * 5/2014 Strehle A24B 15/16
 131/275
 2014/0255452 A1 * 9/2014 Reddick A61K 9/0056
 424/400
 2014/0261472 A1 9/2014 Carroll et al.
 2015/0296868 A1 * 10/2015 Sutton A24B 13/00
 131/290
 2016/0073680 A1 * 3/2016 Rushforth A24B 15/282
 131/300
 2016/0157515 A1 * 6/2016 Chapman A24B 13/00
 131/352

OTHER PUBLICATIONS

Skruf Slim Fresh White additional detail views by chadizzy1 dated Jun. 1, 2011. found online [Feb. 20, 2018] [https://www.snuson.com/showthread.php?12026-Skruf-Slim-Fresh-\(White-Portion\).](https://www.snuson.com/showthread.php?12026-Skruf-Slim-Fresh-(White-Portion).)*
 “The Lab Snus Online—Portionssnus-Svenskt Snus—Snus. swedishmatch.com”, URL: <http://snus.swedishmatch.com/sv/Produkter/01-02-LabSeries/>, retrieved on Oct. 26, 2015, 11 pgs.
 “01 Original Portion”, URL: <http://blog.northerner.com/reviews/snus-reviews/01-original-portion/>, retrieved on Oct. 26, 2015.
 “The Lab 02 Strong, 21.6g, Portion Snus by Swidish Match-Portion”, URL: <http://www.northerner.com/the-lab-02-strong-slim-portion.html>, retrieved on Oct. 26, 2015, 2 pgs.
 “Tobacco Banal Leakage” URL: <http://www.banalleakage.com/tag/tobacco>, retrieved on Oct. 26, 2015, 4 pgs.
 “Moisture Comparison” URL: http://4.bp.blogspot.com/-izRdLax1DJA/VZ7fXf1HUrI/AAAAAAAAAw4/gpTYQ_NLog4/s1600/, Retrieved on Oct. 26, 2015, 1 pg.
 “Camel Snus Compare”, URL: http://goodnealth.freesevers.com/Camel_SNUS_cparing_pouch_szie.jpg, retrieved on Oct. 26, 2015.
 The Mint Snuff Story—how Mint Snuff herbal chew was invented, URL: <http://mintnuff.com/mintsnuffstory.htm>, retrieved on Oct. 26, 2015, 1 pg.
 Zonnic Pouch Niconovum AB", URL: <http://www.niconovum.se/Products.aspx?id=8> retrieved Oct. 26, 2015, 1 pg.
 Camel Snus Pouch by Jenny Novae. article titled Pregnant Women use Chewing Tobacco to Calm Nausea. Smoker News World. dated Dec. 7, 2009. found online [Feb. 16, 2018] <http://www.smokernewsworld.com/pregnant-women-chewing-tobacco/>.
 Camel Snus Pouch additional views by CSP Daily News. article titled Camel Snus Gets New Packaging. dated Feb. 13, 2013. found online [Feb. 16, 2018] <http://www.cspdailynews.com/category-news/tobacco/articles/camel-snus-gets-new-packaging>.

* cited by examiner

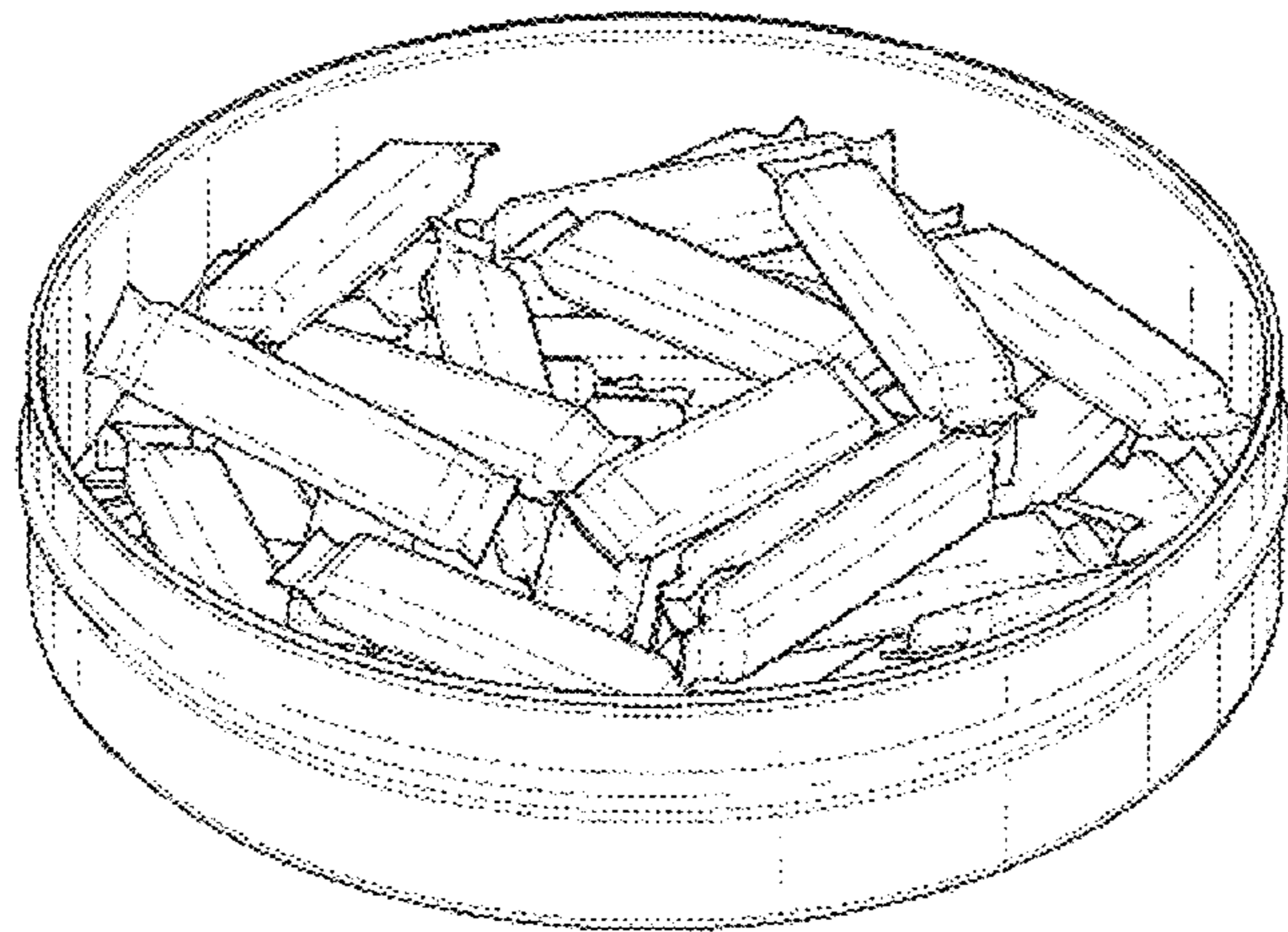


FIG. 1

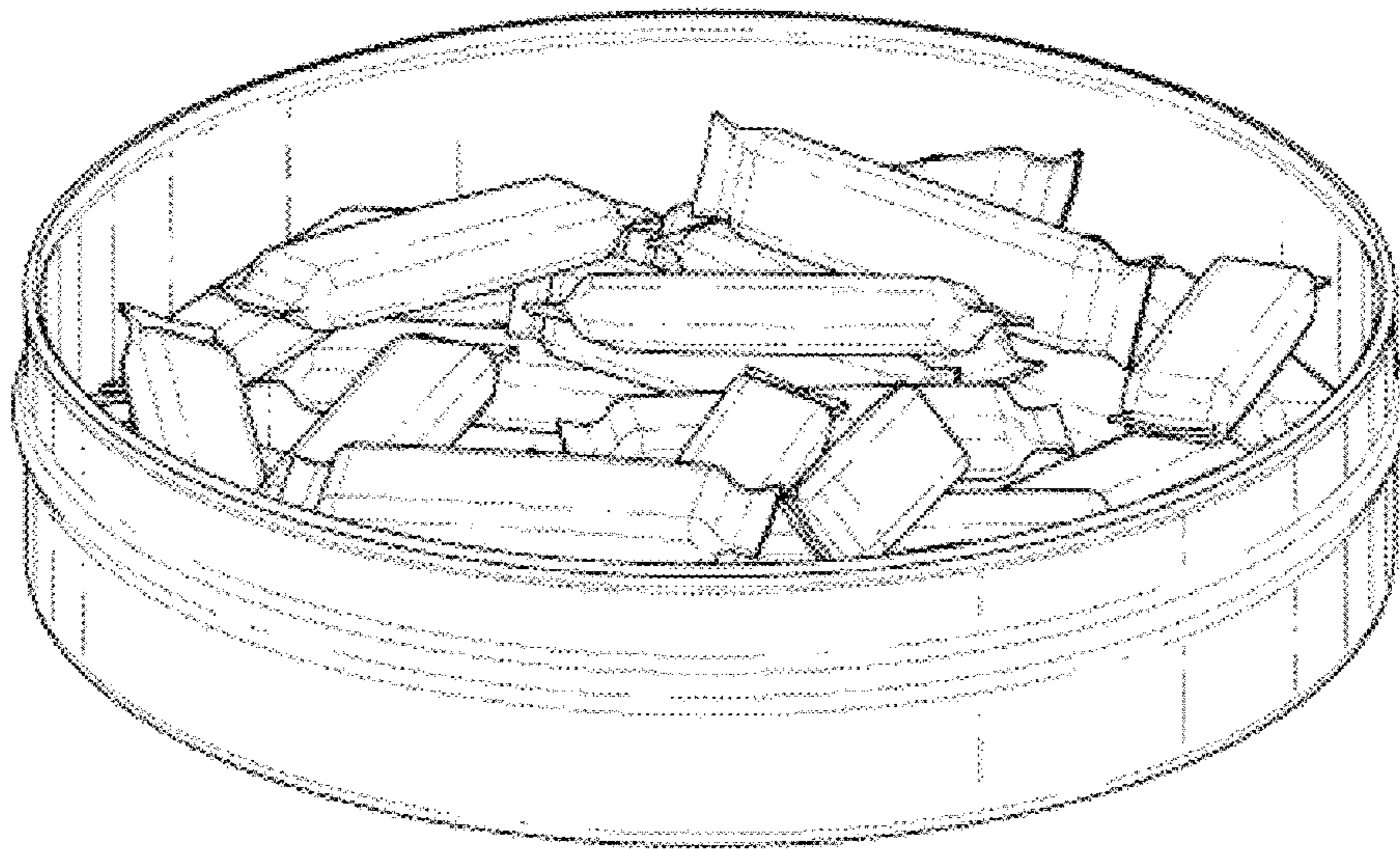


FIG. 2

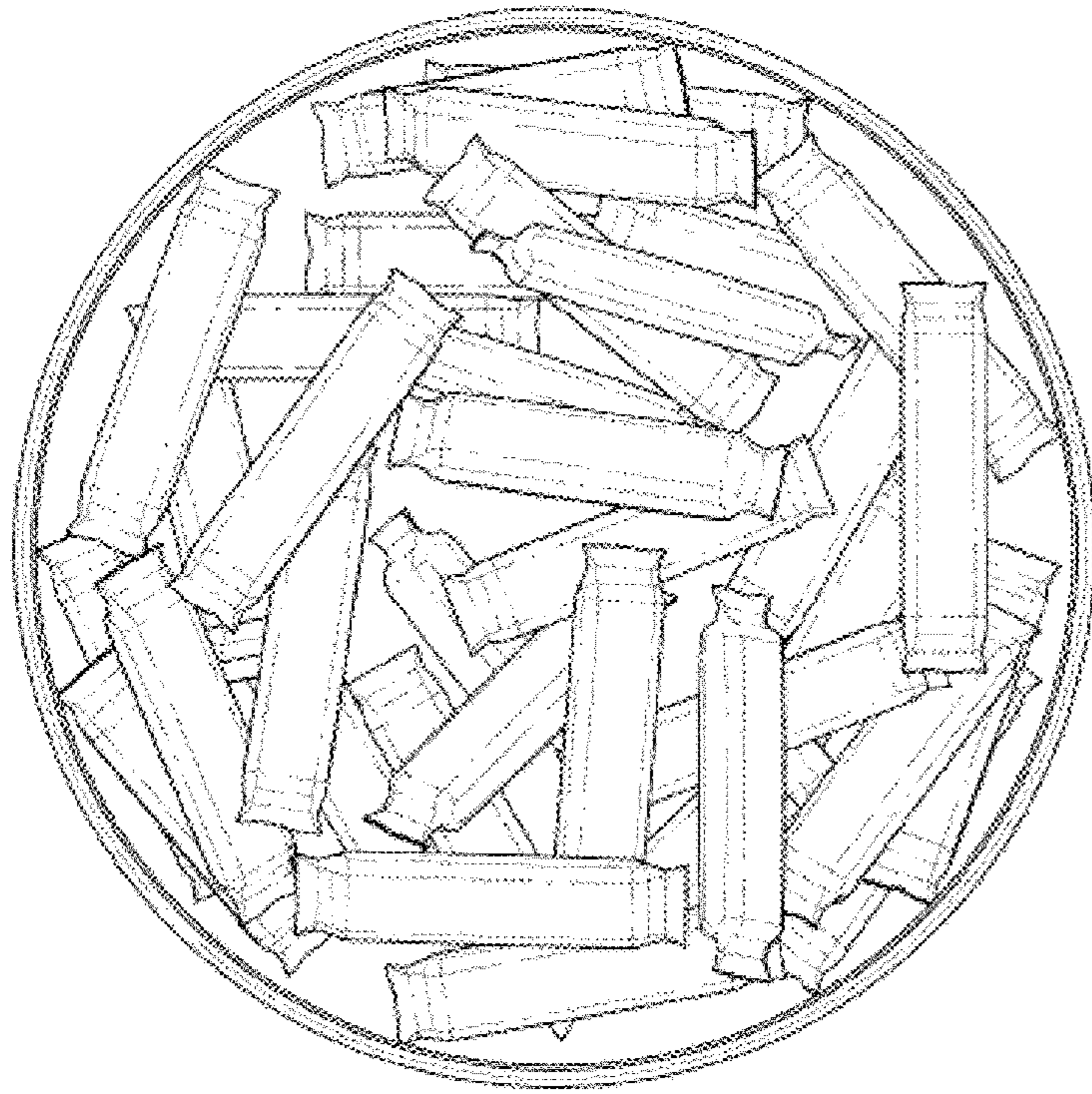


FIG. 3



FIG. 4

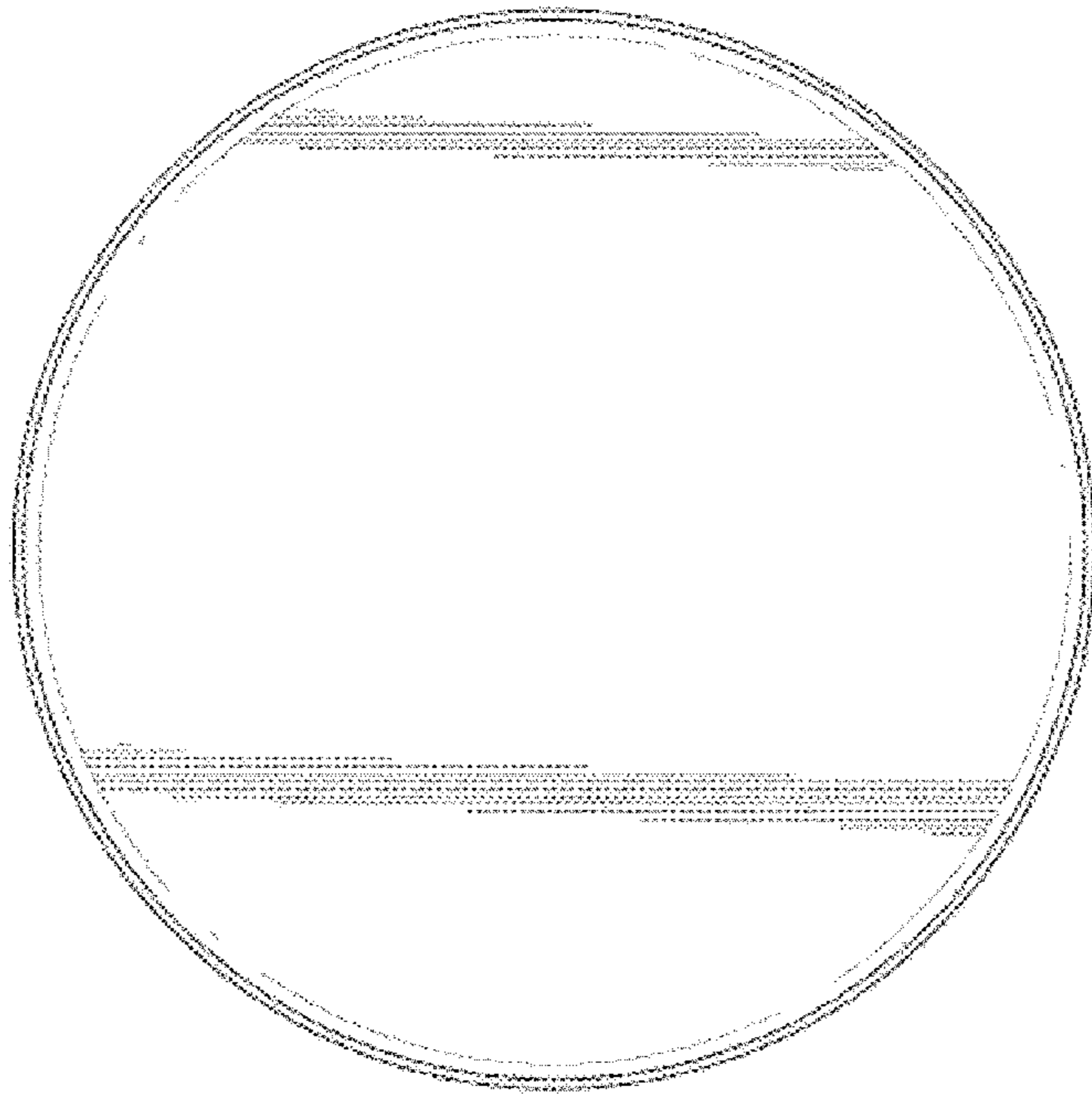


FIG. 5