



US00D837446S

(12) **United States Design Patent** (10) **Patent No.:** **US D837,446 S**  
**Durand** (45) **Date of Patent:** **\*\* Jan. 1, 2019**

(54) **VAPING DEVICE**  
(71) Applicant: **JS Consulting**, Paris (FR)  
(72) Inventor: **Cyrille Durand**, Boulogne (FR)  
(73) Assignee: **JS CONSULTING**, Paris (FR)  
(\*\*) Term: **15 Years**

D779,719 S \* 2/2017 Qiu ..... D27/101  
D785,862 S 5/2017 Wu  
D786,497 S \* 5/2017 Sudlow ..... D27/162  
D790,766 S 6/2017 Li  
D792,643 S 7/2017 Wong et al.  
D799,110 S \* 10/2017 Qiu ..... D27/101  
D799,112 S \* 10/2017 Qiu ..... D27/101  
D799,113 S \* 10/2017 Qiu ..... D27/101  
D799,744 S \* 10/2017 Qiu ..... D27/101

(Continued)

(21) Appl. No.: **29/631,950**

(22) Filed: **Jan. 4, 2018**

(30) **Foreign Application Priority Data**

Aug. 3, 2017 (FR) ..... 2017-3558  
Sep. 12, 2017 (WO) ..... DM/097 897

(51) **LOC (11) Cl.** ..... **27-01**

(52) **U.S. Cl.**  
USPC ..... **D27/101**

(58) **Field of Classification Search**  
USPC ..... D27/100, 101, 162, 163, 172, 183, 184,  
D27/185, 186, 187, 188, 189, 193, 194  
CPC ..... A24F 1/30; A24F 5/04; A24F 9/00; A24F  
47/002

See application file for complete search history.

(56) **References Cited**

**U.S. PATENT DOCUMENTS**

D424,236 S 5/2000 Reed  
D532,927 S \* 11/2006 Sann ..... D27/101  
D675,777 S 2/2013 Wu  
D718,492 S \* 11/2014 Albanese ..... D27/101  
D725,310 S \* 3/2015 Eksouzian ..... D27/101  
D760,948 S \* 7/2016 Eksouzian ..... D27/101  
D762,003 S \* 7/2016 Lomeli ..... D27/163  
D770,678 S 11/2016 Shin  
D771,867 S 11/2016 Leidel et al.  
D776,337 S \* 1/2017 Levin ..... D27/101  
D776,338 S \* 1/2017 Lomeli ..... D27/163  
D776,869 S \* 1/2017 Heidl ..... D27/163

**OTHER PUBLICATIONS**

BO One Vaping Kit by Electric Tobacconist. dated 2018. found online [Feb. 26, 2018] <https://www.electrictobacconist.com/bo-vape-starter-kit-p4245>.\*

(Continued)

*Primary Examiner* — Brandon M Rosati  
*Assistant Examiner* — Marissa J Cash  
(74) *Attorney, Agent, or Firm* — Colby Nipper PLLC

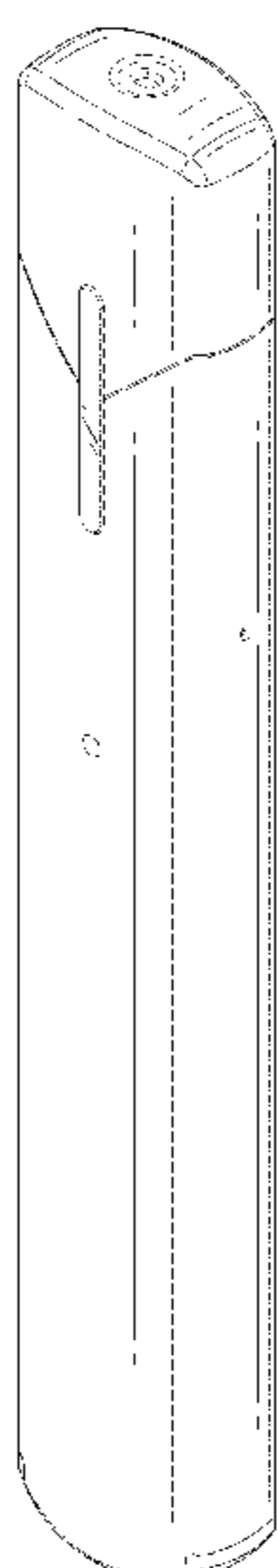
(57) **CLAIM**

I claim the ornamental design for a vaping device, as shown and described.

**DESCRIPTION**

FIG. 1 is a front-side perspective view of a vaping device showing my design;  
FIG. 2 is a front elevation view thereof;  
FIG. 3 is a rear elevation view thereof;  
FIG. 4 is a right side elevation view thereof;  
FIG. 5 is a left side elevation view thereof;  
FIG. 6 is a top plan view thereof;  
FIG. 7 is a bottom plan view thereof; and,  
FIG. 8 is an exploded front-side perspective view of an embodiment of a cartridge and a base of the vaping device. The broken lines shown represent unclaimed subject matter and form no part of the claimed design.

**1 Claim, 4 Drawing Sheets**



(56)

**References Cited**

U.S. PATENT DOCUMENTS

D799,745 S \* 10/2017 Qiu ..... D27/101  
 D799,746 S \* 10/2017 Leidel et al.  
 D800,380 S \* 10/2017 Williams et al.  
 D802,834 S \* 11/2017 Yann et al.  
 D802,839 S \* 11/2017 Scott ..... D27/194  
 D805,685 S \* 12/2017 Lee ..... D27/101  
 D808,071 S \* 1/2018 Folkerts ..... D27/101  
 D811,003 S \* 2/2018 Folyan ..... D27/101  
 2015/0034104 A1\* 2/2015 Zhou ..... A24F 47/008  
 131/329  
 2016/0345626 A1\* 12/2016 Wong ..... A24F 47/008

OTHER PUBLICATIONS

CYNC Standard Battery by Electric Tobacconist. dated 2018. found online [Feb. 26, 2018] <https://www.electrictobacconist.com/cync-standard-battery-p1307>.\*

JUUL Battery by Electric Tobacconist. dated 2018. found online [Feb. 26, 2018] <https://www.electrictobacconist.com/juul-battery-p4452>.\*

My Von Erl Vaporizer Kit by Electric Tobacconist. dated 2018. found online [Feb. 26, 2018] <https://www.electrictobacconist.com/my-von-erl-vaporizer-kit-p1055>.\*

Xfire Vape Vape Pen by Electric Tobacconist. dated 2018. found online [Feb. 26, 2018] <https://www.electrictobacconist.com/xfire-vape-vape-pen-p4414>.\*

\* cited by examiner

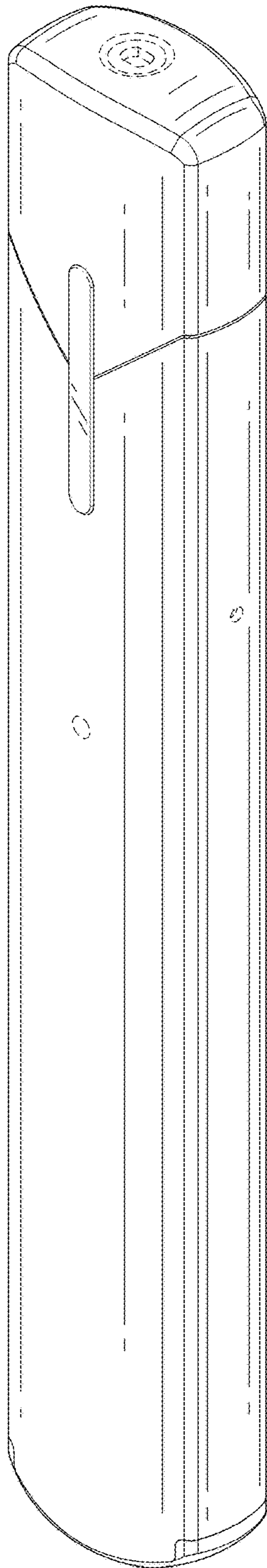


FIG. 1

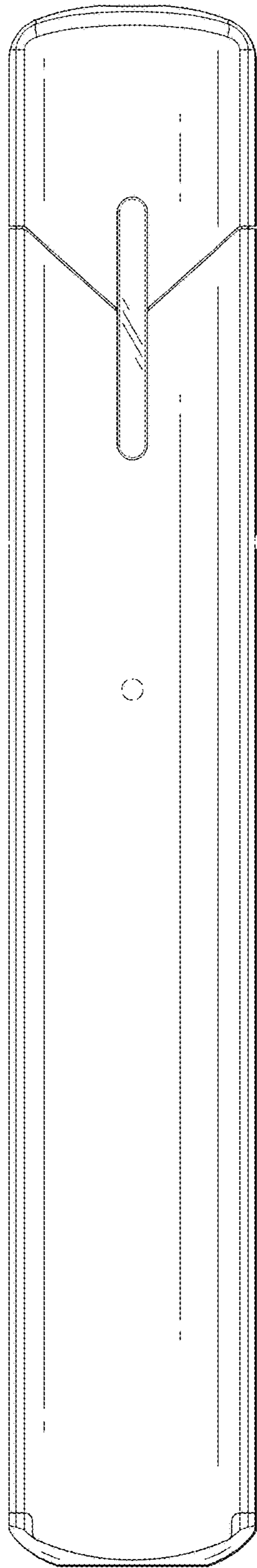


FIG. 2

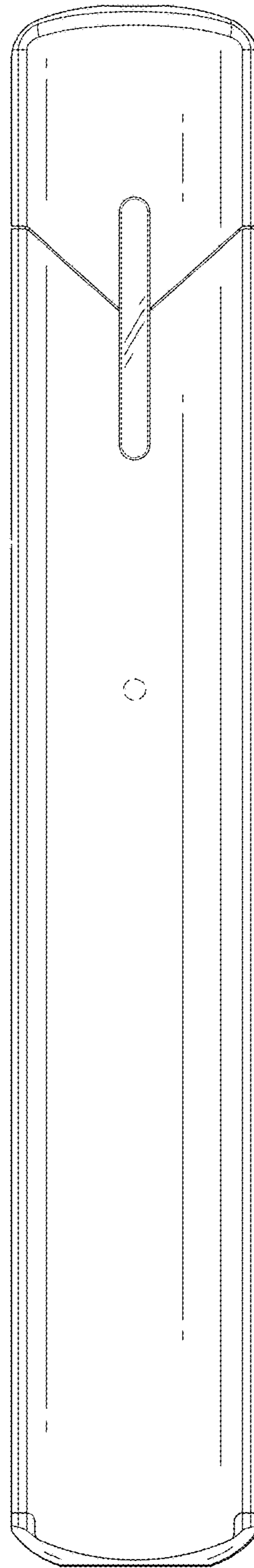


FIG. 3

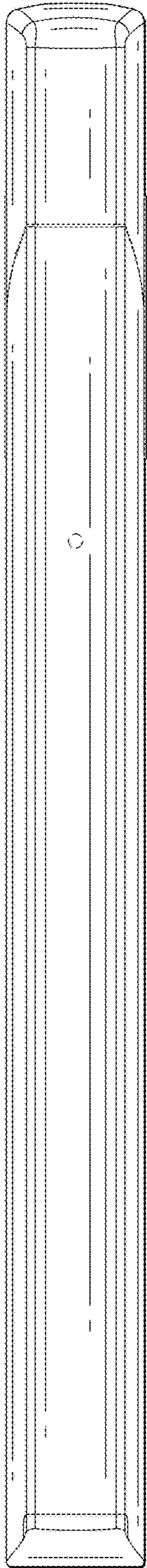


FIG. 4

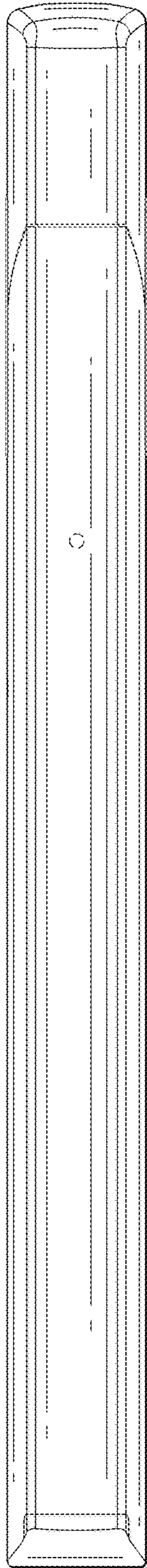


FIG. 5

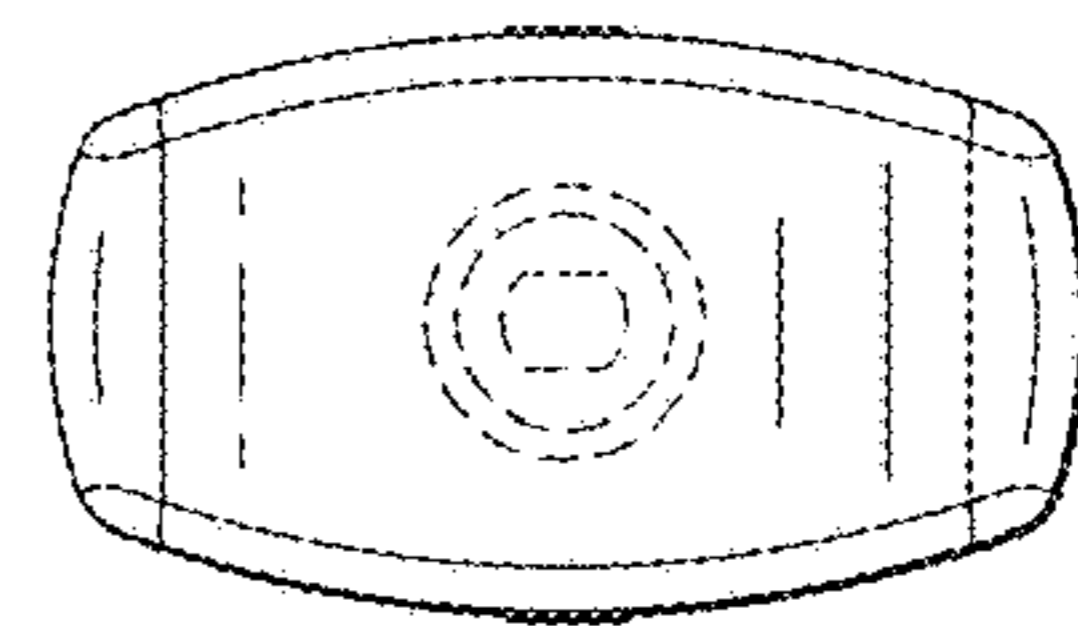


FIG. 6

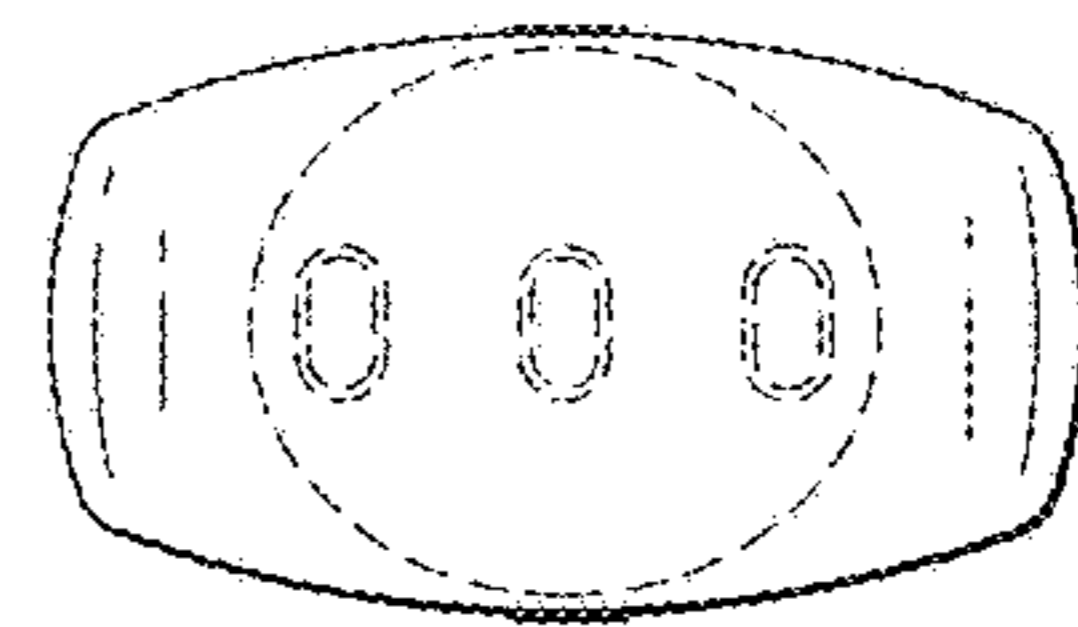


FIG. 7

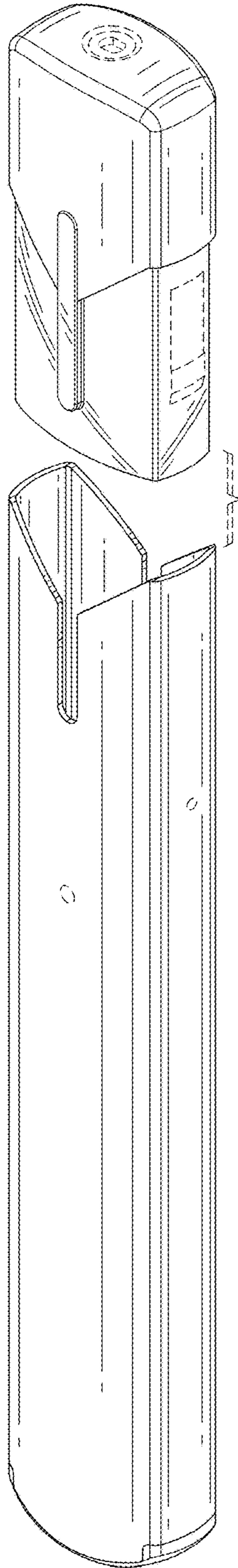


FIG. 8