



US00D837442S

(12) **United States Design Patent**
Reynolds

(10) **Patent No.:** **US D837,442 S**
(45) **Date of Patent:** **** Jan. 1, 2019**

(54) **LIGHT FIXTURE**

- (71) Applicant: **HGCI, Inc.**, Las Vegas, NV (US)
- (72) Inventor: **Christopher Reynolds**, Vancouver, WA (US)
- (73) Assignee: **HGCI, Inc.**, Las Vegas, NV (US)
- (**) Term: **15 Years**
- (21) Appl. No.: **29/607,232**
- (22) Filed: **Jun. 12, 2017**

Related U.S. Application Data

- (63) Continuation of application No. 29/523,671, filed on Apr. 13, 2015, now Pat. No. Des. 756,026, and a continuation of application No. 29/516,347, filed on Jan. 30, 2015, now Pat. No. Des. 793,616, which is a
(Continued)

(51) **LOC (11) Cl.** **26-99**

(52) **U.S. Cl.**
USPC **D26/118**

(58) **Field of Classification Search**
USPC D13/180; D10/18, 21, 24, 25, 27, 28, 46, D10/93, 104.1, 113, 114; D26/2, 9, 10, D26/12, 13, 15, 16, 24, 28, 51, 60, 61, D26/72, 76, 80, 81, 85, 86, 88, 89, 90,
(Continued)

(56) **References Cited**

U.S. PATENT DOCUMENTS

32,722 A	7/1861	Schmidlin
D46,253 S	8/1914	Kopp
1,410,945 A	3/1922	Mayfield

(Continued)

FOREIGN PATENT DOCUMENTS

CA	2034710	8/1991
CA	1314529	3/1993

(Continued)

OTHER PUBLICATIONS

800x600-8692-ht-sun 1—TinEye, image post date Dec. 3, 2015, site visited Aug. 2, 2018, (online), <https://www.tineye.com/search/2c125039531957caf52bec59966c41e983103937/?extension_ver=>.*>.*

(Continued)

Primary Examiner — Kevin K Rudzinski

Assistant Examiner — Sean D Lough

(74) *Attorney, Agent, or Firm* — J. Douglas Wells

(57) **CLAIM**

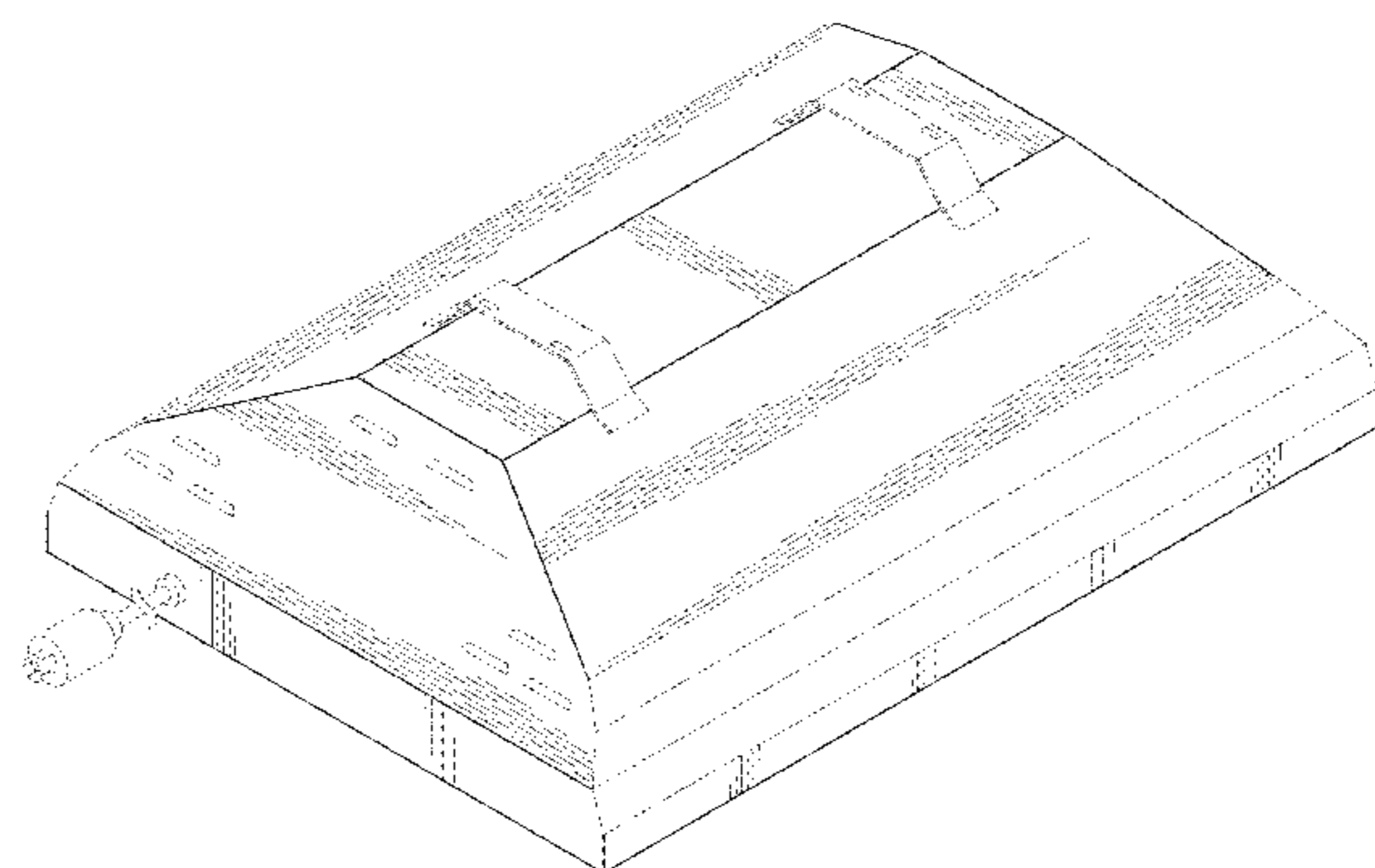
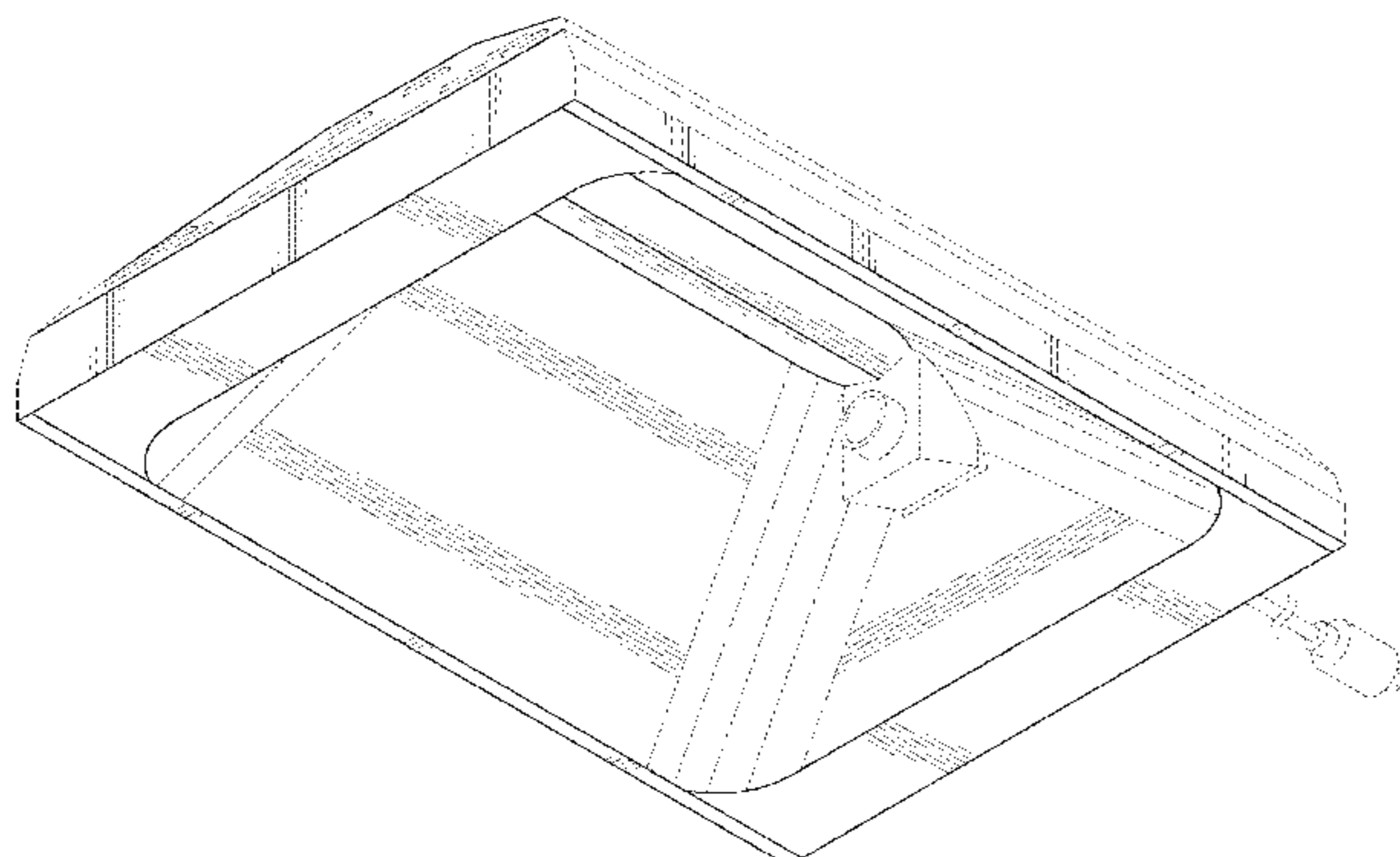
The ornamental design for a light fixture, as shown and described.

DESCRIPTION

FIG. 1 is a perspective view of a light fixture, as viewed from below, showing my new design;
 FIG. 2 is a perspective view of the light fixture shown in FIG. 1, as viewed from above;
 FIG. 3 is a left side view of the light fixture shown in FIG. 1;
 FIG. 4 is a right side view of the light fixture shown in FIG. 1;
 FIG. 5 is a front elevation view of the light fixture shown in FIG. 1;
 FIG. 6 is a rear elevation view of the light fixture shown in FIG. 1;
 FIG. 7 is a top plan view of the light fixture shown in FIG. 1; and,
 FIG. 8 is a bottom plan view of the light fixture shown in FIG. 1.

The broken-line disclosure shown in the views is understood to represent portions of the article in which the claimed design is embodied, but which form no part of the claimed design.

1 Claim, 6 Drawing Sheets



Related U.S. Application Data

continuation of application No. 29/502,094, filed on Sep. 11, 2014, now Pat. No. Des. 732,236.

(58) **Field of Classification Search**

USPC D26/104, 113, 118, 119, 120, 122, 124, D26/128, 129, 138, 142, 143, 144, 145
CPC B60Q 1/04; B60Q 1/26; F21S 8/026; F21S 8/04; F21V 1/00; F21V 15/01; F21V 15/04; F21V 21/02; F21V 21/04; F21V 25/00; F21V 29/004; F21V 29/2212; F21V 3/02; F21Y 2101/02

See application file for complete search history.

(56) **References Cited**

U.S. PATENT DOCUMENTS

1,547,026 A 7/1925 Canney
1,798,567 A 3/1931 Wagenhorst
D85,049 S 9/1931 Kopp
D85,382 S 10/1931 Guth
1,848,734 A 3/1932 Luce
1,873,310 A 8/1932 Doane
1,930,070 A 10/1933 Zecher
1,987,705 A 1/1935 Pedersen
D106,614 S 10/1937 Waterbury
2,194,841 A 3/1940 Welch
D119,800 S 4/1940 Carter
D123,768 S * 12/1940 Scribner 362/218
D125,559 S 3/1941 Biller
2,242,590 A 5/1941 Marcel
D128,049 S 7/1941 Kurtz
D135,375 S 3/1943 Biller
2,339,100 A 1/1944 Netting
2,348,617 A 5/1944 Furedy
D156,014 S 11/1949 Lazerson
2,492,946 A 1/1950 Barber
D174,221 S 3/1955 Hatch
2,740,883 A 4/1956 Kruger
2,741,694 A 4/1956 Wiig
2,998,511 A 8/1961 Chan
3,025,391 A 3/1962 Golko
D193,802 S 10/1962 Thomsen
D195,012 S 4/1963 Hoyle
3,125,301 A 3/1964 Stotter
3,263,071 A 7/1966 Fabbri
3,272,978 A 9/1966 Jackson
3,322,946 A 5/1967 Cooper
3,420,995 A 1/1969 Dunckel
D213,391 S 2/1969 Bruno
3,433,941 A 3/1969 Hall
3,675,008 A 7/1972 Hill
3,684,883 A 8/1972 Entwistle
3,701,898 A 10/1972 McNamara, Jr.
3,755,667 A 8/1973 Price
3,829,677 A 8/1974 DeLlano
3,902,059 A 8/1975 McNamara, Jr.
3,911,265 A 10/1975 Landrum
4,028,542 A 6/1977 McReynolds, Jr.
D245,016 S 7/1977 Barr
4,037,096 A 7/1977 Brengord
4,078,169 A 3/1978 Armstrong
4,175,360 A 11/1979 Mulvey
4,229,782 A 10/1980 Ruud
D259,738 S 6/1981 Boschetti
4,308,473 A 12/1981 McNamara, Jr.
D262,659 S 1/1982 Lalita
D266,578 S 10/1982 Moshier
D268,287 S 3/1983 Boschetti
D270,577 S 9/1983 DeVos
4,446,506 A 5/1984 Larson
4,531,180 A 7/1985 Hernandez
4,616,293 A 10/1986 Baliozian
4,669,033 A 5/1987 Lee
D290,662 S 7/1987 Basil
D300,877 S 4/1989 Cyr

4,855,884 A 8/1989 Richardson
4,893,221 A 1/1990 Friedman
4,933,821 A 6/1990 Anderson
4,939,629 A 7/1990 Glanton
D311,597 S 10/1990 Poot
4,970,428 A 11/1990 Hayakawa
4,980,809 A 12/1990 Baldwin
D316,301 S 4/1991 Michael
5,006,752 A 4/1991 Eggink
5,065,294 A 11/1991 Poot
5,072,349 A 12/1991 Waniga
D323,897 S 2/1992 Compton
5,088,015 A 2/1992 Baggio
D329,104 S 9/1992 Dieperink
D330,438 S 10/1992 Herst
5,192,129 A 3/1993 Figueroa
5,199,784 A 4/1993 Hempleman
5,253,152 A 10/1993 Yang
D349,358 S 4/1994 Herst
5,353,746 A 10/1994 Del Rosario
D352,126 S 11/1994 Ruud
5,440,470 A 8/1995 Ly
5,461,554 A 10/1995 Leonetti
D365,159 S 12/1995 Tinen
5,486,737 A 1/1996 Hrubowchak
5,510,676 A 4/1996 Cottaar
D373,000 S 8/1996 Brady
5,555,162 A 9/1996 Shemitz
D374,301 S 10/1996 Kleffman
D376,437 S 10/1996 Karlo
5,568,680 A 10/1996 Parker
5,570,947 A 11/1996 Felland
D377,993 S 2/1997 Herst
5,621,267 A 4/1997 Shaffner
D383,243 S 9/1997 Fry
5,698,947 A 12/1997 Choi
5,702,179 A 12/1997 Sidwell
D391,632 S 3/1998 Thomas
D396,319 S 7/1998 Sutton
D397,481 S 8/1998 Schafer
D399,328 S 10/1998 Compton
D399,329 S 10/1998 Compton
D399,587 S 10/1998 Compton
D400,289 S 10/1998 Wardenburg
5,816,694 A 10/1998 Ideker
D401,006 S 11/1998 Edwards
D405,976 S 2/1999 Beall
5,896,004 A 4/1999 Feldman
5,924,789 A 7/1999 Thornton
5,932,955 A 8/1999 Berger
5,938,317 A 8/1999 Thornton
D415,304 S 10/1999 Brown
5,983,564 A 11/1999 Stragnola
5,987,697 A 11/1999 Song
5,999,943 A 12/1999 Nori
D418,626 S 1/2000 Herst
D419,248 S 1/2000 Lyons
6,024,468 A 2/2000 Kassay
6,042,250 A 3/2000 Stragnola
6,051,927 A 4/2000 Graser
6,053,624 A 4/2000 Cronk
D425,237 S 5/2000 Scott
D425,652 S 5/2000 Brok
D426,010 S 5/2000 Compton
6,061,690 A 5/2000 Nori
6,065,849 A 5/2000 Chen
6,070,173 A 5/2000 Huber
6,076,944 A 6/2000 Maranon
6,079,851 A 6/2000 Altman
D428,516 S 7/2000 Reo
6,094,919 A 8/2000 Bhatia
6,111,739 A 8/2000 Wu
6,152,579 A 11/2000 Reed
D439,008 S 3/2001 Kim
D440,289 S 4/2001 Olson et al.
6,210,025 B1 4/2001 Schmidt
6,230,497 B1 5/2001 Morris
D443,198 S 6/2001 Snyder
D443,949 S 6/2001 Dimonte

(56)

References Cited

U.S. PATENT DOCUMENTS

6,247,830	B1	6/2001	Winnett		D603,087	S	10/2009	Mo
D445,943	S	7/2001	Littman		7,617,057	B2	11/2009	May
6,257,735	B1	7/2001	Baar		D605,342	S	12/2009	Chung
6,267,483	B1	7/2001	Hembery		D608,490	S	1/2010	Chung
D447,272	S	8/2001	Smith		7,641,367	B2	1/2010	Hargreaves
6,279,012	B1	8/2001	Sexton		7,654,702	B1	2/2010	Ding
6,299,327	B1	10/2001	Camarota		D613,900	S	4/2010	Hargreaves
D452,559	S	12/2001	Schonberger		D614,801	S	4/2010	Collins
6,343,984	B1	2/2002	Langdon		7,722,228	B2	5/2010	Broer
6,371,630	B1	4/2002	Unger		D617,028	S	6/2010	Verfuert
D456,927	S	5/2002	Russello		D620,190	S	7/2010	Chung
D456,928	S	5/2002	Russello		D621,993	S	8/2010	Jong
D456,938	S	5/2002	Wardenburg		7,771,086	B2	8/2010	Goverde
D457,450	S	5/2002	Lamond et al.		D628,335	S	11/2010	Hyland
D459,825	S	7/2002	Field		7,854,534	B2	12/2010	Liu
6,488,387	B2	12/2002	Wardenburg		D632,419	S	2/2011	Ng
D469,564	S	1/2003	Brok		D633,247	S	2/2011	Kong
6,527,422	B1	3/2003	Hutchison		D633,640	S	3/2011	Wauters
6,548,948	B1	4/2003	Muessli		D634,060	S	3/2011	Wardenburg
6,595,662	B2	7/2003	Wardenburg		D634,240	S	3/2011	Junkeer
6,601,972	B2	8/2003	Sei		D634,468	S	3/2011	Hargreaves
6,658,652	B1	12/2003	Alexander		D634,469	S	3/2011	Hargreaves
6,679,619	B2	1/2004	Saieva		D637,162	S	5/2011	Bridgman
D486,593	S	2/2004	Griffin		D637,341	S	5/2011	Wardenburg
6,688,759	B1	2/2004	Hadjimichael		D637,752	S	5/2011	Mekhtarian
6,709,131	B1	3/2004	Herst		D640,404	S	6/2011	Chipperfield
6,729,383	B1	5/2004	Cannell		7,959,331	B2	6/2011	Ho
6,783,263	B1	8/2004	Cronk		D641,100	S	7/2011	Li
D496,121	S	9/2004	Santoro		7,972,044	B2	7/2011	Burkhauser
D499,504	S	12/2004	Meyer		D644,185	S	8/2011	Hargreaves
D499,505	S	12/2004	Benensohn		7,987,632	B2	8/2011	May
D504,343	S	4/2005	Ek		8,018,630	B2	9/2011	Herloski
6,885,134	B2	4/2005	Kurashima		8,038,318	B2	10/2011	Plunk
6,908,212	B2	6/2005	Schultz		D648,652	S	11/2011	Hawkins
7,011,424	B1	3/2006	Poulson		D649,685	S	11/2011	Trzesniowski
7,083,309	B2	8/2006	Chan		D650,515	S	12/2011	Bradley
7,101,060	B2	9/2006	Oppenheimer		D650,935	S	12/2011	Beghelli
7,131,753	B1	11/2006	Edwards, Jr.		8,113,696	B2	2/2012	Striebel
7,156,539	B2	1/2007	Cronk		D655,403	S	3/2012	Zakula
7,175,309	B2	2/2007	Craw		D657,748	S	4/2012	Hargreaves
D542,460	S	5/2007	Hargreaves		D660,252	S	5/2012	Hargreaves
D543,652	S	5/2007	Hargreaves		D661,370	S	6/2012	Imajo
D543,654	S	5/2007	Hargreaves		D661,833	S	6/2012	Imajo
D543,655	S	5/2007	Hargreaves		8,209,912	B2	7/2012	Hargreaves
D544,982	S	5/2007	Hargreaves		8,215,799	B2	7/2012	Vanden Eynden
7,213,948	B2	5/2007	Hein		D667,584	S	9/2012	Beghelli
D544,130	S	* 6/2007	Hargreaves D26/76	D668,370	S	10/2012	Guercio
D544,136	S	6/2007	Hargreaves		D671,259	S	11/2012	Chen
D544,138	S	6/2007	Hargreaves		D672,908	S	12/2012	Wilcox
D544,139	S	6/2007	Hargreaves		D672,911	S	12/2012	Mayfield, III
D544,626	S	6/2007	Hargreaves		D673,324	S	12/2012	Mayfield
D544,980	S	6/2007	Hargreaves		8,334,640	B2	12/2012	Reed
D544,981	S	6/2007	Hargreaves		D675,369	S	1/2013	Michaud
D544,983	S	6/2007	Hargreaves		8,348,481	B2	1/2013	Chang
D544,984	S	6/2007	Hargreaves		D675,772	S	2/2013	Tran
D544,985	S	6/2007	Hargreaves		8,371,726	B2	2/2013	Collins
D544,987	S	6/2007	Hargreaves		D678,597	S	3/2013	Lehman
D544,994	S	6/2007	Hargreaves		D678,599	S	3/2013	Boyer
D544,995	S	6/2007	Hargreaves		D679,848	S	4/2013	Pickard
D545,460	S	6/2007	Mason, II		D683,064	S	5/2013	Tuck
D545,484	S	6/2007	Hargreaves		8,505,224	B2	8/2013	Huang
D545,485	S	6/2007	Hargreaves		D689,238	S	9/2013	Halsey
D545,990	S	7/2007	Hargreaves		D689,986	S	9/2013	Lord
D545,994	S	7/2007	Hargreaves		D690,875	S	10/2013	McKenzie
D545,996	S	7/2007	Hargreaves		D693,959	S	11/2013	Boyer
D549,869	S	8/2007	Ward		D697,663	S	1/2014	Speier
7,296,914	B1	11/2007	Russello		D698,074	S	1/2014	Hargreaves
7,360,927	B2	4/2008	Oka		D698,075	S	1/2014	Klus
D569,024	S	5/2008	Redfern		D698,986	S	2/2014	Reynolds
D572,858	S	7/2008	Santoro		D698,987	S	2/2014	Stanley
7,445,363	B2	11/2008	Vanden Eynden		D699,386	S	2/2014	Park
7,524,090	B2	4/2009	Hargreaves		D702,827	S	4/2014	Mase
7,534,011	B2	5/2009	Townsley		8,702,283	B2	4/2014	Bradley, Jr.
D595,894	S	7/2009	Verfuert		D705,474	S	5/2014	Philips
D602,625	S	10/2009	Santoro		D705,974	S	5/2014	Blessitt
					8,723,086	B2	5/2014	McMahan
					D707,385	S	6/2014	Wardenburg
					D708,390	S	7/2014	Roos
					D710,528	S	8/2014	Wardenburg

(56)

References Cited

U.S. PATENT DOCUMENTS

8,801,235 B2	8/2014	Yurich	9,335,038 B2	5/2016	Stanley
D713,953 S	9/2014	Jepson	9,366,947 B2	6/2016	Miyata
D714,988 S	10/2014	Park	D762,320 S	7/2016	Reynolds
D715,994 S	10/2014	Klus	D765,306 S	8/2016	Wardenburg
D716,995 S	11/2014	Zhu	D766,756 S	9/2016	Franc
D717,487 S	11/2014	Guzzini	D769,513 S	10/2016	Reynolds
D717,636 S	11/2014	Stanley	D769,514 S	10/2016	Reynolds
D720,488 S	12/2014	Toyohisa	D770,079 S	10/2016	Stanley
D720,505 S	12/2014	Kersten	D770,082 S	10/2016	Reynolds
8,905,575 B2	12/2014	Durkee	D770,670 S	11/2016	Reynolds
D720,876 S	1/2015	Haverfield	D770,671 S	11/2016	Reynolds
D721,844 S	1/2015	Lay	D771,301 S	11/2016	Stanley
D722,654 S	2/2015	Martone	D771,304 S	11/2016	Goltche
D725,820 S	3/2015	Hargreaves	D773,107 S	11/2016	Stanley
8,967,821 B2	3/2015	Pickard	9,494,294 B2 *	11/2016	Edmond F21V 29/006
8,992,047 B2 *	3/2015	Boxier F21K 9/00 362/145	D775,406 S	12/2016	Hargreaves
D726,359 S	4/2015	Grigore	D775,760 S	1/2017	Reynolds
8,998,473 B1	4/2015	Anderson	9,551,482 B2 *	1/2017	Seward F21S 8/026
9,016,892 B1	4/2015	Scribante	D780,971 S *	3/2017	Santoro D26/72
9,016,907 B2	4/2015	Stanley	D780,985 S	3/2017	Stanley
D728,848 S	5/2015	Reyes	D780,986 S	3/2017	Reynolds
D729,435 S	5/2015	Arndt	D781,492 S	3/2017	Reynolds
D730,556 S	5/2015	Toyohisa	D783,887 S	4/2017	Stanley
D725,819 S	6/2015	Reynolds	D783,888 S *	4/2017	Reynolds D26/118
D731,103 S	6/2015	Wilke	D786,488 S	5/2017	Reynolds
D731,109 S	6/2015	Wardenburg	D786,489 S	5/2017	Stanley
D731,701 S	6/2015	Hargreaves	D786,490 S	5/2017	Stanley
D732,233 S	6/2015	Reynolds	D786,491 S *	5/2017	Reynolds D26/118
D732,234 S	6/2015	Rashidi Doust	D793,616 S *	8/2017	Reynolds D26/118
D732,235 S	6/2015	Reynolds	D796,727 S *	9/2017	Reynolds D26/118
D732,236 S	6/2015	Reynolds	D797,353 S *	9/2017	Stanley D26/118
D733,347 S	6/2015	Dungan	9,752,766 B2 *	9/2017	Stanley A01G 7/045
D733,952 S	7/2015	Lay	D802,826 S *	11/2017	Stanley D26/118
D733,960 S	7/2015	Howe	D802,829 S *	11/2017	Reynolds D26/118
D734,534 S	7/2015	Howe	D802,831 S *	11/2017	Reynolds D26/118
D735,391 S	7/2015	Blessitt	D804,707 S *	12/2017	Reynolds D26/118
D735,401 S	7/2015	Clements	D804,710 S *	12/2017	Stanley D26/118
D736,450 S	8/2015	Reynolds	D811,647 S *	2/2018	Stanley D26/118
D737,498 S	8/2015	Stanley	D814,687 S *	4/2018	Stanley D26/118
9,110,209 B2	8/2015	Blessitt	10,006,619 B1 *	6/2018	Niemiec F21V 33/0092
D738,031 S	9/2015	Martins	2002/0073285 A1	6/2002	Butterworth
D739,595 S	9/2015	Reynolds	2002/0141195 A1	10/2002	Wardenburg
9,127,826 B2	9/2015	Boyer	2003/0031011 A1	2/2003	Miller
D740,486 S	10/2015	Reynolds	2003/0191783 A1	10/2003	Wolczko
D740,996 S	10/2015	Tragatschnig	2004/0240214 A1	12/2004	Whitlow
D745,993 S	12/2015	Reynolds	2005/0117333 A1	6/2005	Yoshida
D747,029 S	1/2016	Reynolds	2005/0160481 A1	7/2005	Todd
D747,538 S	1/2016	Reynolds	2005/0233691 A1	10/2005	Horton
D747,825 S	1/2016	Reynolds	2006/0231081 A1	10/2006	Kirakosyan
D747,849 S	1/2016	Reynolds	2006/0232984 A1	10/2006	Schuknecht
D747,923 S	1/2016	Cornu	2006/0282457 A1	12/2006	Williams
D748,319 S	1/2016	Johnson	2007/0051321 A1	3/2007	Chang
D748,320 S	1/2016	Johnson	2007/0070633 A1	3/2007	Eynden
D748,847 S	1/2016	Johnson	2007/0228993 A1	10/2007	Stuer
D748,850 S	1/2016	Johnson	2007/0246631 A1	10/2007	Brown
D748,849 S	2/2016	Stanley	2007/0282806 A1	12/2007	Hoffman
D749,773 S	2/2016	Waible	2008/0059799 A1	3/2008	Scarlata
D750,312 S	2/2016	Reynolds	2008/0117617 A1	5/2008	Hargreaves
D750,313 S	2/2016	Reynolds	2008/0130304 A1	6/2008	Rash
D750,316 S	2/2016	Reynolds	2008/0205030 A1	8/2008	Hargreaves
9,255,690 B2	2/2016	Dimitriadis	2008/0205071 A1	8/2008	Townsley
D750,831 S	3/2016	Clements	2008/0212326 A1	9/2008	Chon
D751,244 S	3/2016	Reynolds	2008/0178957 A1	11/2008	Pickard
D751,245 S	3/2016	Stanley	2008/0278950 A1	11/2008	Pickard
D751,247 S	3/2016	Reynolds	2009/0166250 A1	5/2009	Hargreaves
9,279,553 B1 *	3/2016	Scribante F21S 8/026	2009/0231840 A1	9/2009	Boehme
D753,654 S	4/2016	Eastwood	2009/0262540 A1	10/2009	Hargreaves
9,310,037 B2	4/2016	Cercone	2009/0276478 A1	11/2009	Soman
D756,016 S	5/2016	Hargreaves	2009/0310373 A1	12/2009	Burkhauser
D756,023 S	5/2016	Hoffer	2009/0316404 A1	12/2009	Mo
D756,026 S	5/2016	Reynolds	2009/0323335 A1	12/2009	Yang
D757,323 S	5/2016	Reynolds	2010/0214789 A1	8/2010	Hawkes
D757,326 S	5/2016	Reynolds	2010/0238661 A1	9/2010	Pfund
D757,346 S	5/2016	Stanley	2010/0277908 A1	11/2010	Hu
			2010/0277929 A1	11/2010	Hargreaves
			2010/0295468 A1	11/2010	Pedersen
			2010/0302768 A1	12/2010	Collins
			2011/0169412 A1	7/2011	Yurich
			2011/0203096 A1	8/2011	Hargreaves

(56)

References Cited

U.S. PATENT DOCUMENTS

2011/0259665	A1	10/2011	Morgan	
2012/0051041	A1	3/2012	Edmond	
2012/0092859	A1	4/2012	Gregoris	
2012/0212883	A1	8/2012	Hargreaves	
2012/0230035	A1	9/2012	Bradley, Jr.	
2013/0083539	A1	1/2013	Dimitriadis	
2013/0077329	A1	3/2013	Hessling	
2013/0155685	A1	6/2013	Stanley	
2013/0242573	A1	9/2013	Petrsocki	
2013/0250567	A1	9/2013	Edmond	
2014/0378283	A1	12/2014	Qiu	
2015/0023022	A1	1/2015	Stanley	
2015/0098215	A1	4/2015	Torabifard	
2015/0252992	A1	9/2015	Stanley	
2015/0252993	A1	9/2015	Stanley	
2015/0252994	A1	9/2015	Stanley	
2015/0260381	A1	9/2015	Verfuert	
2017/0016584	A1*	1/2017	Snijkers	F21V 3/00
2017/0205036	A1*	7/2017	Sorensen	F21V 15/01
2017/0321852	A1*	11/2017	Handsaker	F21S 8/026
2018/0195673	A1*	7/2018	Goelz	F21V 14/04

FOREIGN PATENT DOCUMENTS

EP	0325003	7/1989
EP	0440274	8/1991
WO	2002063210	8/2002
WO	2003060379	7/2003
WO	2008018000	2/2008
WO	2009096775	8/2009
WO	2011119451	9/2011

OTHER PUBLICATIONS

Apollo Horticulture GLRCTAC 6" Air Cool Tube Grow Light Deluxe Glass Cylinder with Hood Reflector, image post date Oct. 15, 2010, site visited Oct. 3, 2014, (online), <http://www.amazon.com/apollo-horticulture-glrectac-cylinder-reflector/dp/b003qkvv04/ref=pd_sbs_lg_5?ie=utf8&refrid=1y9v9qhh4n5vncjmftr>.

Apollo Horticulture GLRLS24 6" Air Cooled hydroponic Grow Light Glass Reflector Hood, image post date Oct. 15, 2010, site visited Oct. 3, 2014, (online), <http://www.amazon.com/apollo-horticulture-GLRLS24-hydroponic-reflector/dp/B00BMVK8HG/ref=cm_cd_ql_qh_dp_i>.

Adjustable Reflector, image post date Apr. 23, 2012, site visited Sep. 23, 2015, http://web.archive.org/web/2012043260757/http://hydroponics-products.en.alibaba.com/product/519225678-213056444/adjustable_reflector_grow_light_hydroponics_greenhouse_horticulture_reflector_hood.html.

Agrotech Magnum Reflector, image post date Feb. 5, 2012, site visited Oct. 31, 2014, www.hydroponics.net/i/136580.

Cree CR22, image post date Apr. 28, 2011, site visited Nov. 15, 2014, <http://ledsmagazine.com/content/dam/leds/migrated/objects/news/8/4/19/cree204272011.jpg>.

ZR series High Efficacy Troffer, image post date Apr. 13, 2012, site visited Oct. 31, 2014, www.cree.com/lighting/products.

Grow Lights Home Depot: Find many types of grow lights for your plant, published Dec. 22, 2012, online. Site visited Jun. 25, 2014. [Http://besthomedecorfurniture.com/gardening-d%C3%A9cor/grow-lights-home-depot-few-things-to-consider-when-buying-grow-lighting-plants-online.html](http://besthomedecorfurniture.com/gardening-d%C3%A9cor/grow-lights-home-depot-few-things-to-consider-when-buying-grow-lighting-plants-online.html).

LED Grow Light Comparison Test Review, Youtube.com, published Jun. 29, 2012, online. Site visited Jun. 25, 2014. www.youtube.com/watch?v=f-8oy0qbgrs.

Illuminator Pro-Series Hybrid 350W, wordpress.com, published Dec. 22, 2010, online, site visited Jun. 25, 2014. <http://growsetup.wordpress.com/category/grow-lights/>.

California Lightworks NEW SolarStorm 440W LED Grow Light with UVB, hydrobuilder.com, online. Site visited Jun. 25, 2014. http://hydrobuilder.com/solarstorm-440w-led-grow-light-with-uvb.html?dzid=strands_CLW-SS-440.

2013 Sunlight Supply Cataog, Issuu.com, published Aug. 1, 2013, online. Site visited Feb. 2, 2015. http://issuu.com/sunlightsupply/docs/2013_sunlightproductcatalog/49. Pages 29 and 54 from 2014-2015 dealer catalog showing and describing Super Sun DE reflector published by Sunlight Supply, Inc. 2014.

Dominator XXXL Non AC Reflector pack of 3 Spec Sheet, GreenTreesHydroponics.com, date available Mar. 12, 2014, online. Site visited Feb. 3, 2015, <https://www.hydroponics.net/i/141477>.

Low Rider Air-Cooled Reflector—TinEye, image post date Oct. 11, 2012, site visited Oct. 1, 2015, www.tineye.com/search/1b0e187c5ed9e4e9cfb55d0472271385a2c0e88/?pluginver.

OG Air Cooled Parabolic Reflector Only—Make the Most of Your Grow Light, GroWell Hydroponics, <http://www.growell.co.uk/og-air-cooled-parabolic-reflector-only.html>, pp. 1-2, accessed Aug. 26, 2014.

Air Resistance: Distinguishing Between Laminar and Turbulent Flow, www.docstoc.com, Dec. 29, 2010, pp. 1-6.

Sun Systems LEC 630 Light Emitting Ceramic Fixture, Spec Sheet for 906217—Sun System LEC 630 120 Volt w/ 3100 K Lamps, www.sunlightsupply.com/shop/bycategory/led-lighting/sun-system-lec-630-light-emitting-ceramic-fixture, online, updated Feb. 9, 2015. Site visited Mar. 30, 2015, p. 1.

Mohri, Mineko, International Preliminary Report on Patentability for PCT/US2014/014959, Jan. 19, 2016.

A3V Reflector, Titaness Light Shop, www.titanesslightshop.com/products-page/reflectors/a3v-reflector, online. Site visited Jan. 14, 2015.

G2V Grow Light Reflector, Titaness Light Shop, www.titanesslightshop.com/products-page/reflectors/g2v-grow-light-reflector, online. Site visited Jan. 14, 2015.

1000 Watt Galaxy Grow Amp Double Ended Grow Light Packages, image post date Jan. 30, 2014, site visited Jul. 8, 2016, <<http://www.ehydroponics.com/1000-watt-galaxy-grow-amp-double-ended-grow-light-package.html>>.

2009-10-watt-light-set—TinEye, image post date May 23, 2012, site visited Jul. 8, 2016, <<https://www.tineye.com/search/2de39cf51f7a031139a80ce555e2f30d0abd5216/>>.

Square 10 Watt LED Grow Light, image post date Aug. 1, 2011, site visited Jul. 8, 2016, <<http://www.dhgate.com/store/product/hydroponic-vegetable-10-watt-led-grow-light/216755031.html>>.

Sun System 630 Ceramic Metal Halide 120v Specifications, GrowersHouse.com, update on Sep. 9, 2014, Online. Site visited Feb. 3, 2015. <http://growershouse.com/aitdownloadablefiles/download/aitfile/aitfile_id/583/>.

Growlite HDE 600W-1000W Double Ended Lamp Concealed Vacuum Airflow Technology, Indoor Grow Science, site visited Aug. 3, 2016, <<http://www.indoorgrowscience.net/downloads/specs/hde.pdf>>.

Sun Systems LEC 315—Reviews?, rollitup.com forum, published Oct. 23, 2013, online. Visited Nov. 8, 2016. <<http://rollitup.org/t/sun-sytems-lec-315-reviews.742794>>.

Sun System LEC 315 120v Light Emitting Ceramic Metal Halide Fixture w/ Free Ratchet Light Hangers, Amazon.com, earliest review of Jul. 2, 2014, online. Visited 11/8/2016 <<https://www.amazon.com/sun-system-emitting-ceramic-fixture/dp/B00HBCV8TM>>.

LEC 315 Watt Grow Light Great Yield Reports!, YouTube.com, published Mar. 31, 2014, online. Visited Nov. 8, 2016. <<https://www.youtube.com/watch?v=QqcoW19KnUk>>.

Air Cooled Grow Lights, greensteamhydroponics.com, published May 24, 2014, online. Site visited Nov. 16, 2016. <http://web.archive.org/web/20140524103407/http://www.greensteamhydroponics.com/aircooled-reflector-range-from-greensteam-hydroponics/prod_699.html>.

* cited by examiner

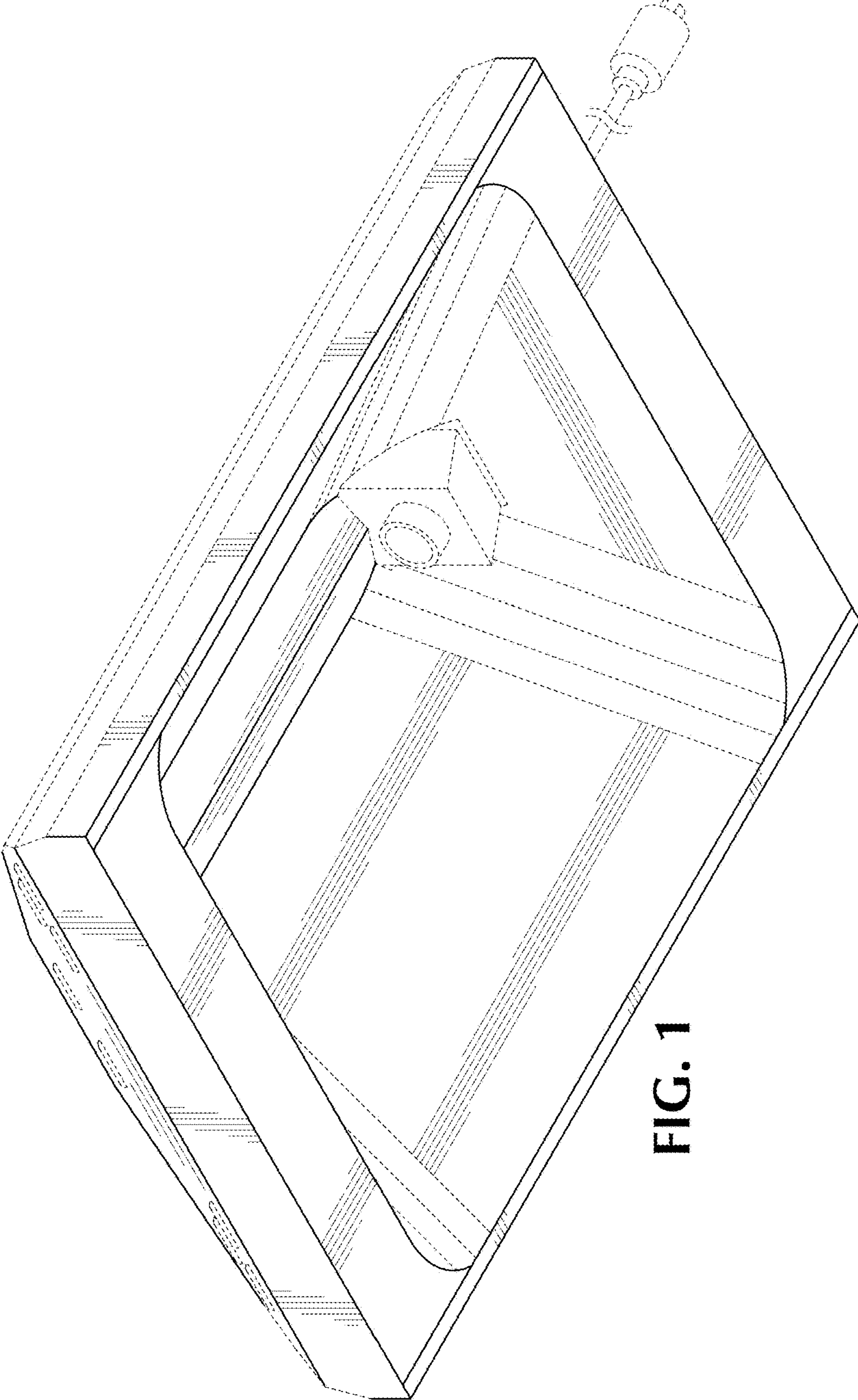


FIG. 1

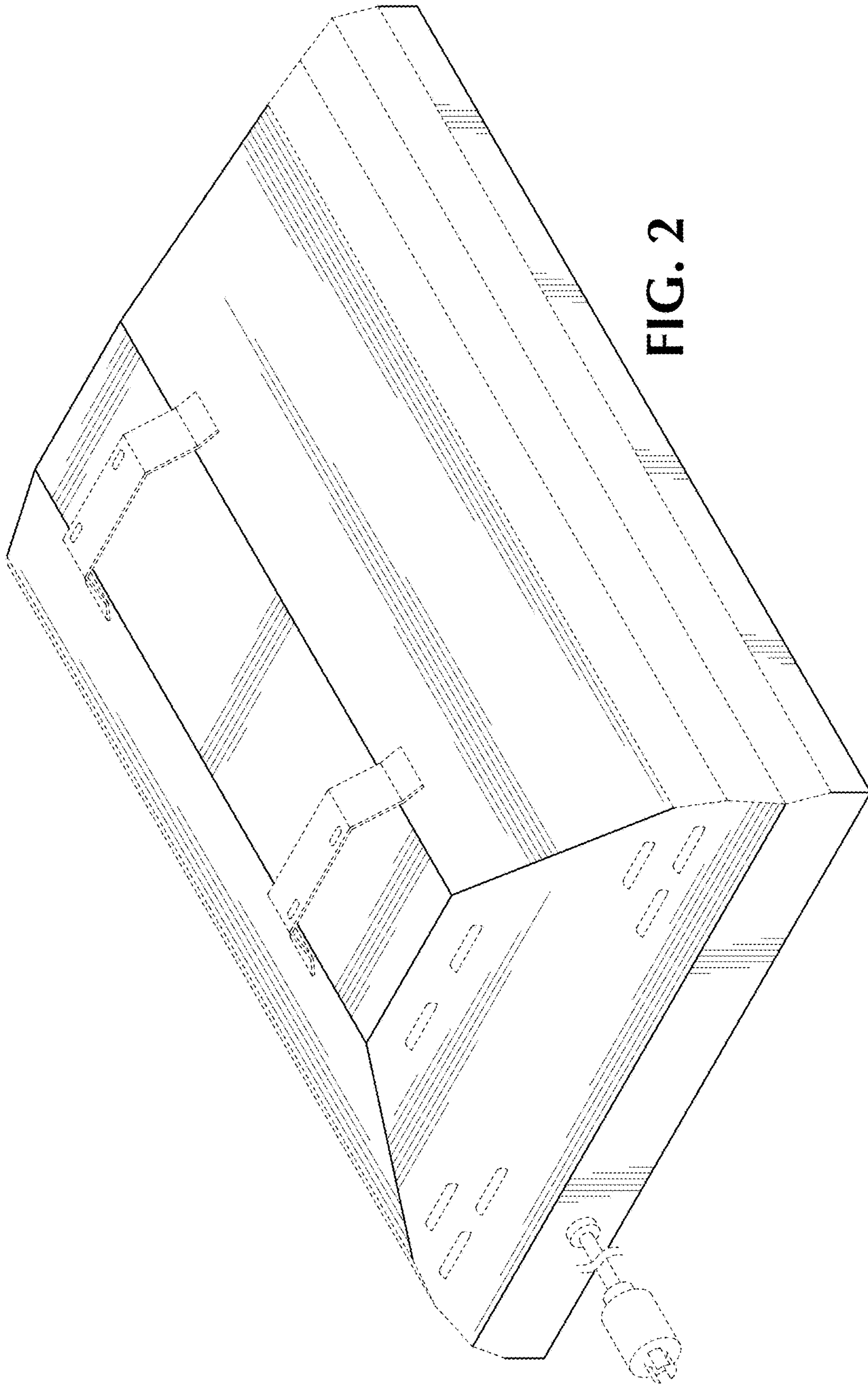


FIG. 2

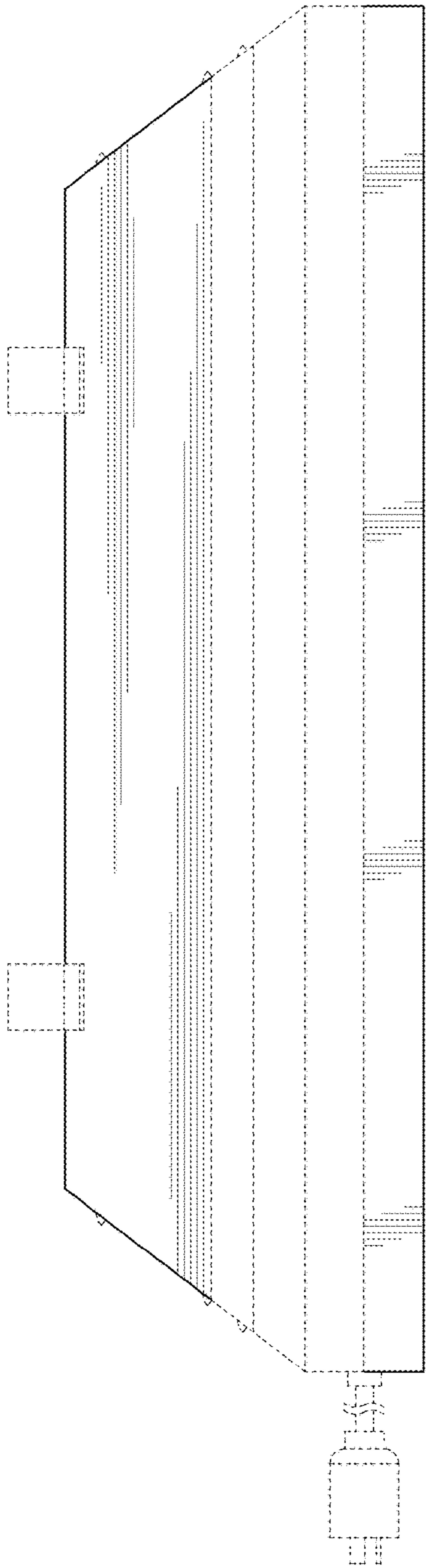


FIG. 3

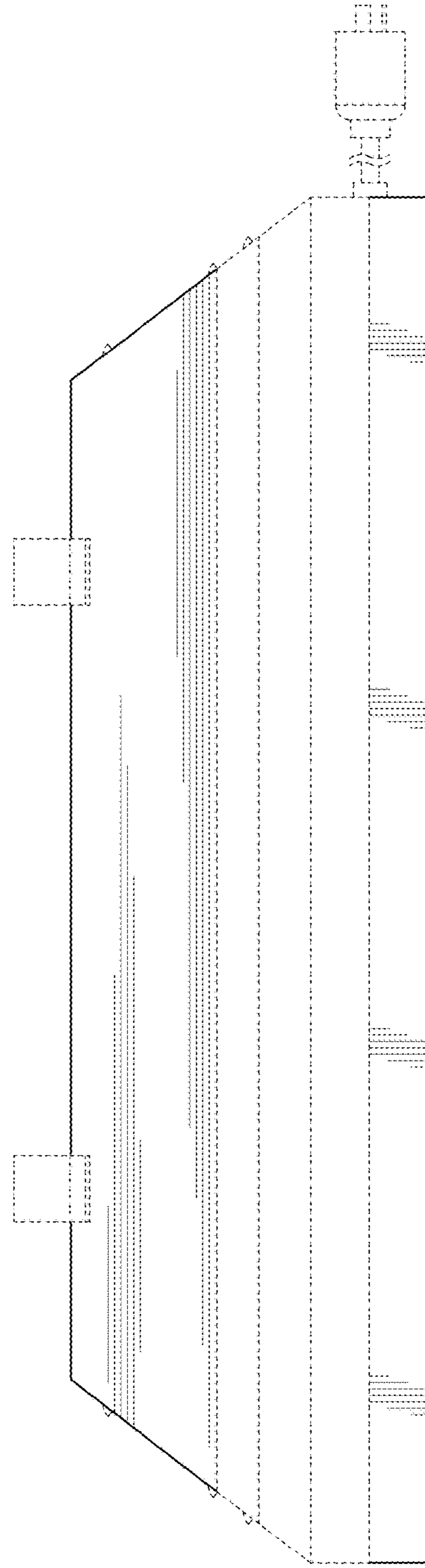


FIG. 4

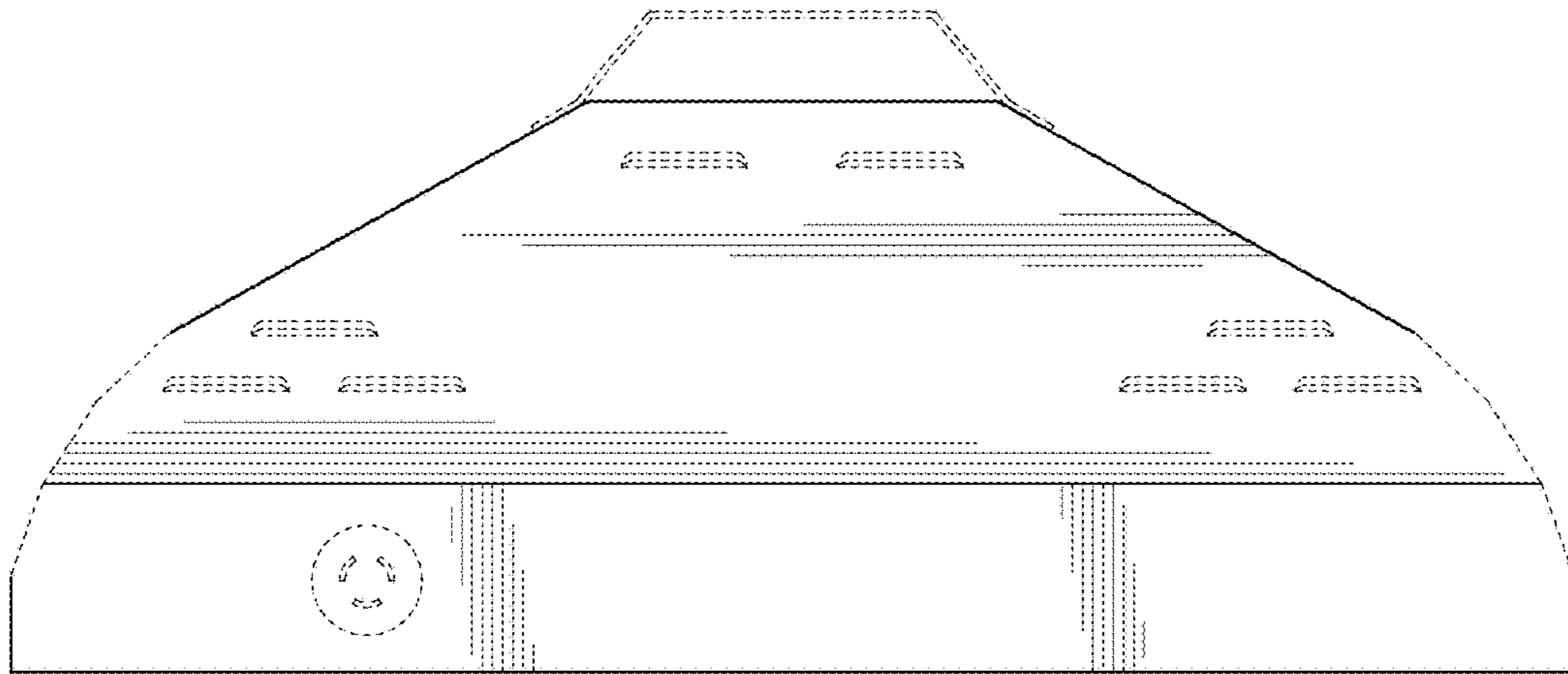


FIG. 5

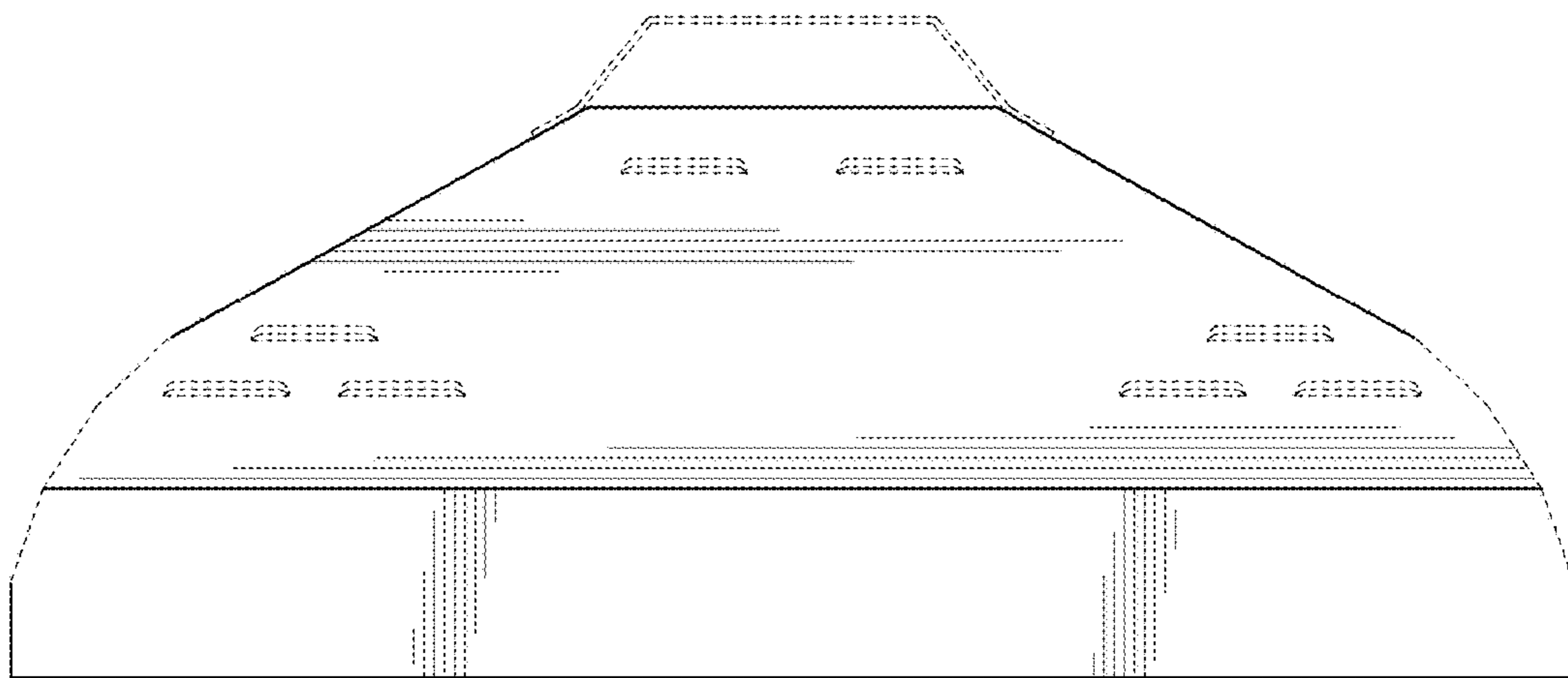


FIG. 6

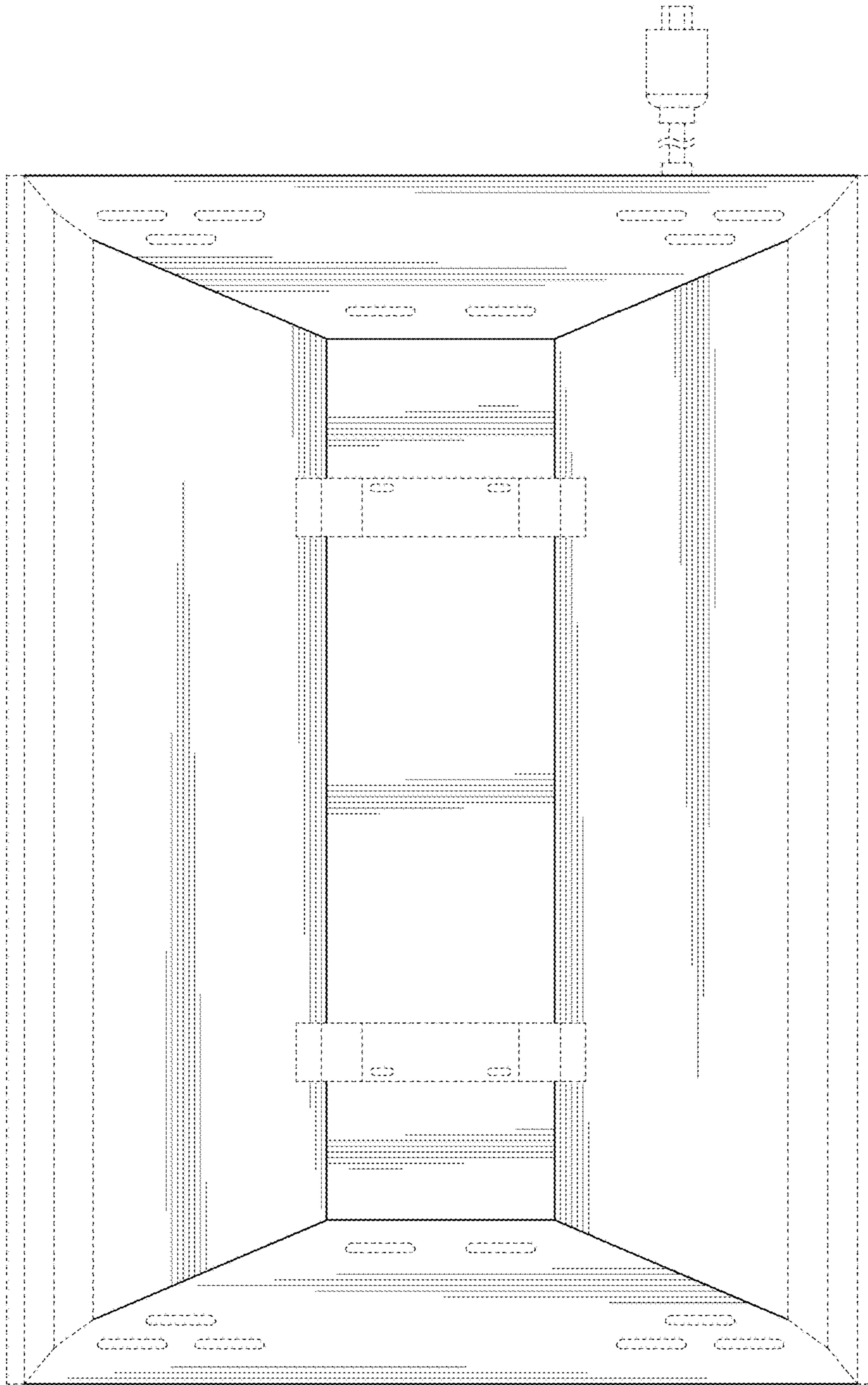


FIG. 7

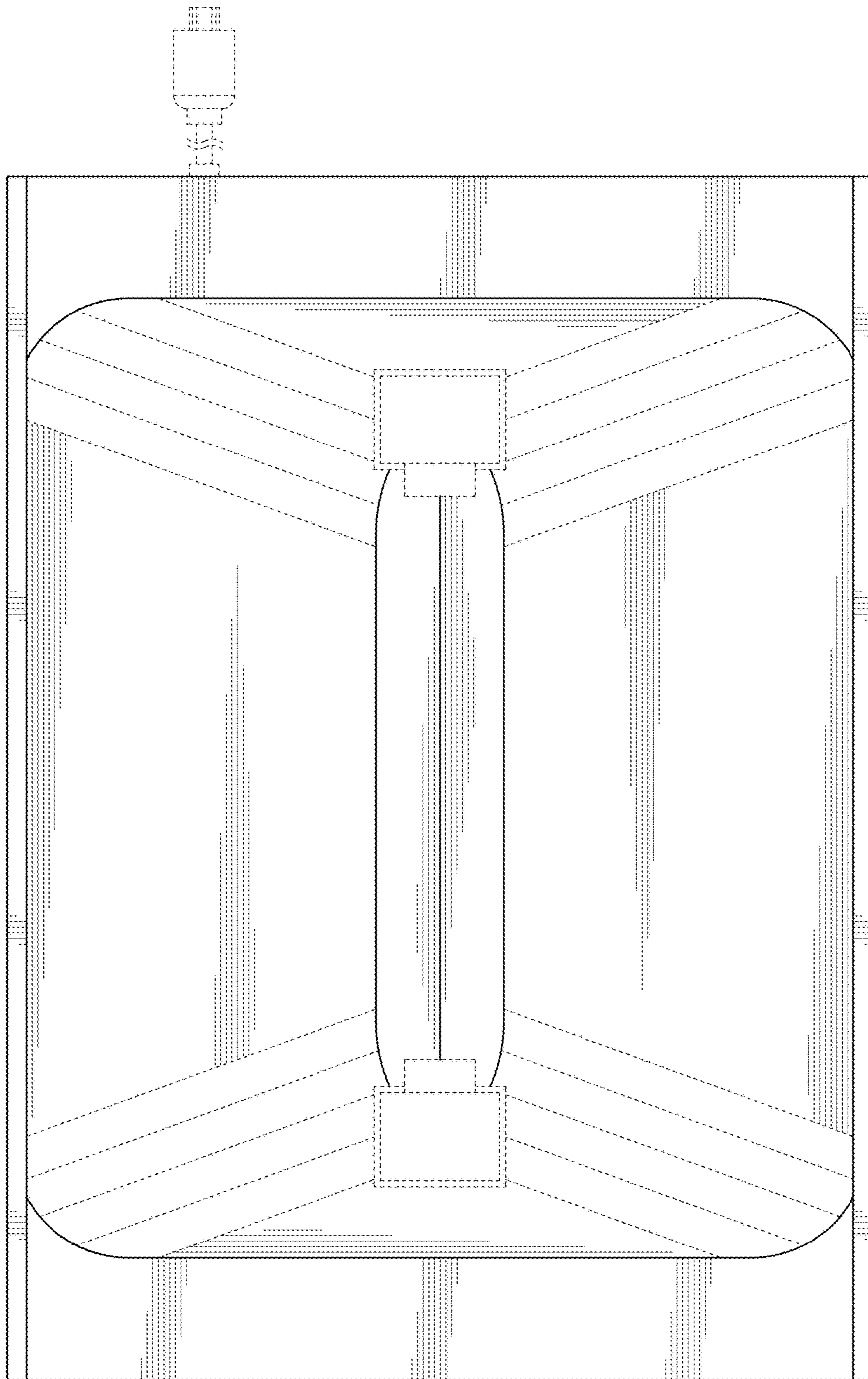


FIG. 8