



US00D837440S

(12) **United States Design Patent** (10) **Patent No.:** **US D837,440 S**
Amato et al. (45) **Date of Patent:** **** Jan. 1, 2019**

(54) **LIGHTING FIXTURE**

(71) Applicant: **The Urban Electric Company**, North Charleston, SC (US)

(72) Inventors: **Michael Amato**, Johns Island, SC (US); **David Dawson**, Charleston, SC (US); **Jonathan Charpia**, Summerville, SC (US); **Christopher Roof**, Charleston, SC (US); **Joeangel Casanova**, North Charleston, SC (US); **Courteney Salsbury**, Mount Pleasant, SC (US); **Brianna Magagnoli**, North Charleston, SC (US)

(73) Assignee: **The Urban Electric Company**, North Charleston, SC (US)

(**) Term: **15 Years**

(21) Appl. No.: **29/600,262**

(22) Filed: **Apr. 11, 2017**

(51) **LOC (11) Cl.** **26-05**

(52) **U.S. Cl.**
USPC **D26/88; D26/106**

(58) **Field of Classification Search**
USPC D26/71, 72, 74, 78-93, 106, 118-122
CPC F21S 8/02; F21S 8/03; F21S 8/04; F21S 8/06; F21S 8/033; F21S 8/036; F21S 8/043; F21S 9/00; F21S 10/00; F21V 21/02
See application file for complete search history.

(56) **References Cited**

U.S. PATENT DOCUMENTS

- D82,921 S * 12/1930 Nessen D26/92
- D89,305 S * 2/1933 Hale D26/88
- D161,700 S * 1/1951 Marker D26/76
- D257,839 S * 1/1981 Moussette D13/125
- D302,867 S 8/1989 Dennis et al.
- 4,961,276 A 10/1990 Ling

- D366,341 S * 1/1996 Lin D26/84
- D368,546 S * 4/1996 Hsu D26/81
- D385,374 S 10/1997 Shalvi
- D392,764 S 3/1998 Balish, Jr.
- D393,016 S 3/1998 Young
- D408,575 S * 4/1999 Von Kluck D26/143
- D438,665 S * 3/2001 Rochon D26/87
- D480,497 S 10/2003 Lau Ting Yup

(Continued)

OTHER PUBLICATIONS

Rex Flushmount (available online) Retrieved from the internet Sep. 26, 2018 from URL: <https://www.urbanelectricco.com/rexflushmount.html>.*

(Continued)

Primary Examiner — Kevin K Rudzinski
Assistant Examiner — Richard Kearney
(74) *Attorney, Agent, or Firm* — Jeffrey T. Stover;
Haynsworth Sinkler Boyd, P.A.

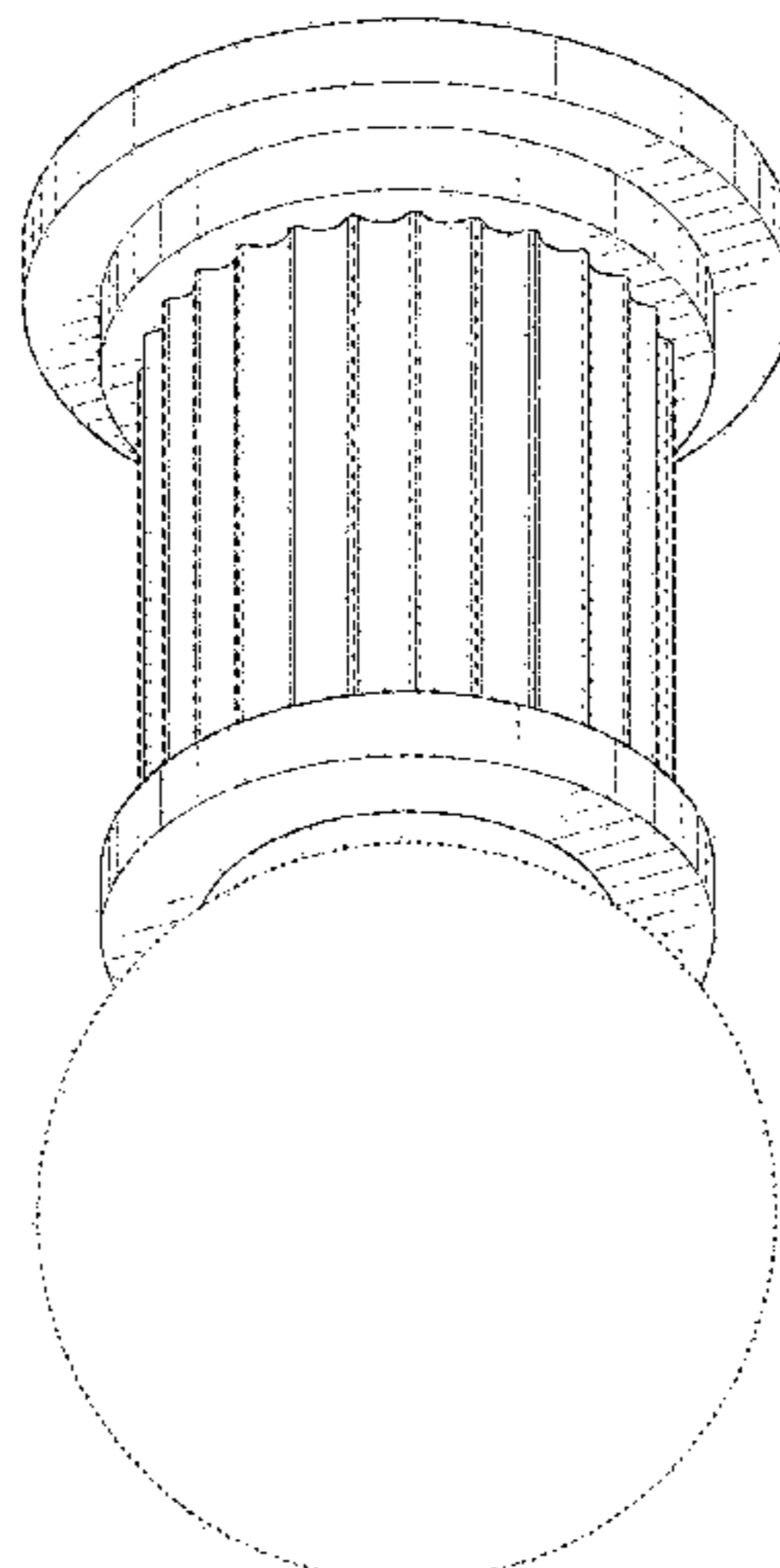
(57) **CLAIM**

The ornamental design for a lighting fixture, as shown and described.

DESCRIPTION

FIG. 1 is a bottom plan view of a lighting fixture showing the new design;
FIG. 2 is a front elevational view thereof;
FIG. 3 is a back elevational view thereof;
FIG. 4 is a right side elevational view thereof;
FIG. 5 is a left side elevational view thereof;
FIG. 6 is a bottom perspective view thereof; and,
FIG. 7 is a top perspective view thereof.
The broken lines shown on the top surface of the lighting fixture in FIGS. 1 and 7 illustrate a portion of the lighting fixture that forms no part of the claimed design. The remaining broken lines shown in FIGS. 1-7 illustrate environmental structure that forms no part of the claimed design.

1 Claim, 7 Drawing Sheets



(56)

References Cited

U.S. PATENT DOCUMENTS

D532,374 S * 11/2006 Lee D13/134
D590,097 S 4/2009 Tam
D604,006 S * 11/2009 Silver D26/88
D670,424 S 11/2012 Lee
D757,988 S 5/2016 Chang
D786,485 S * 5/2017 Amato D26/106
D821,631 S * 6/2018 Gambrel D26/88
D828,610 S * 9/2018 Amato D26/87

OTHER PUBLICATIONS

Sonneman Paramount Tall Table Lamp (available online) Retrieved from the internet Sep. 26, 2018 from URL: <https://www.lightsfantasticpro.com/product/sonneman-paramount-tall-table-lamp/>.*

* cited by examiner

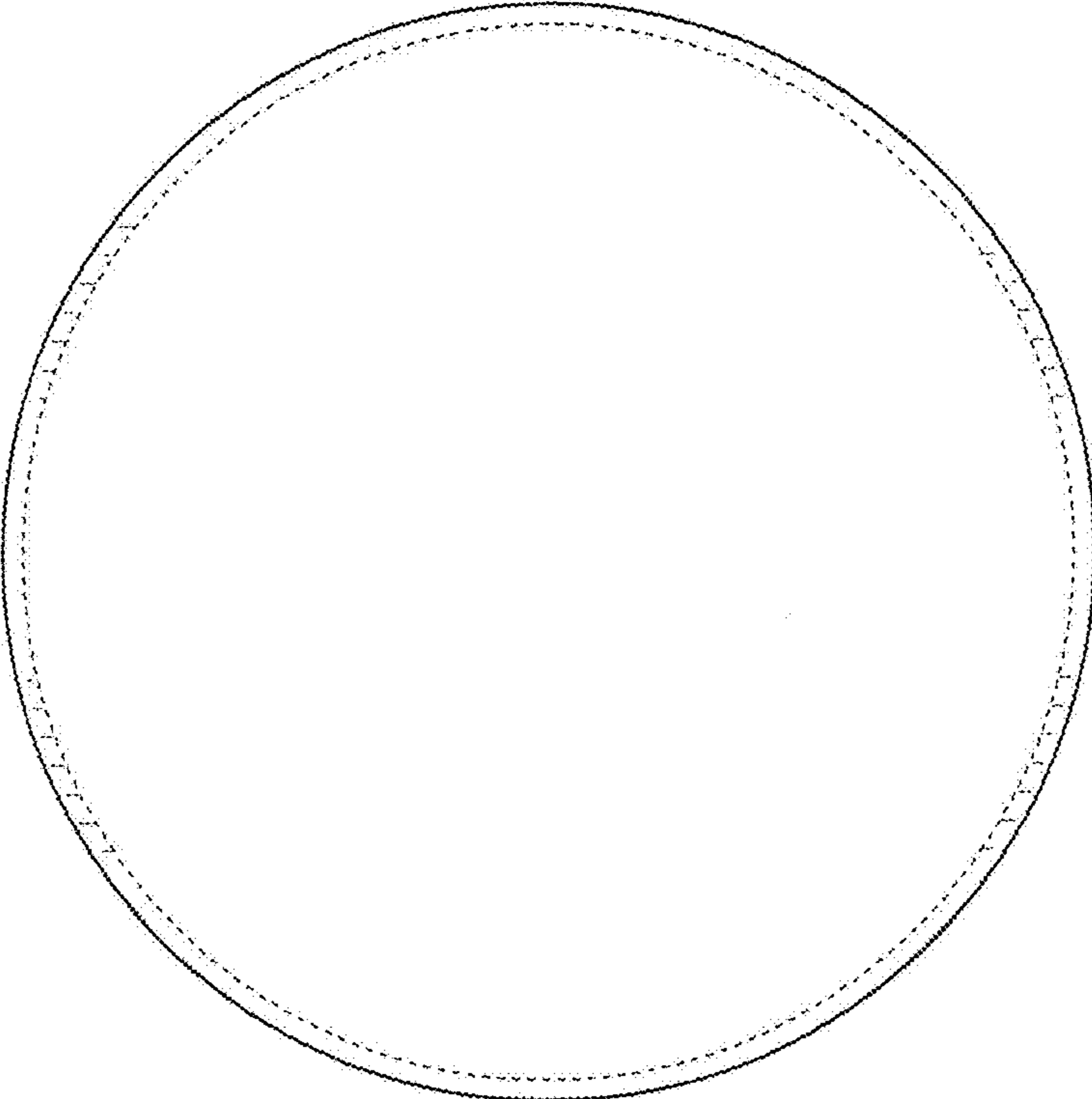


FIG. 1

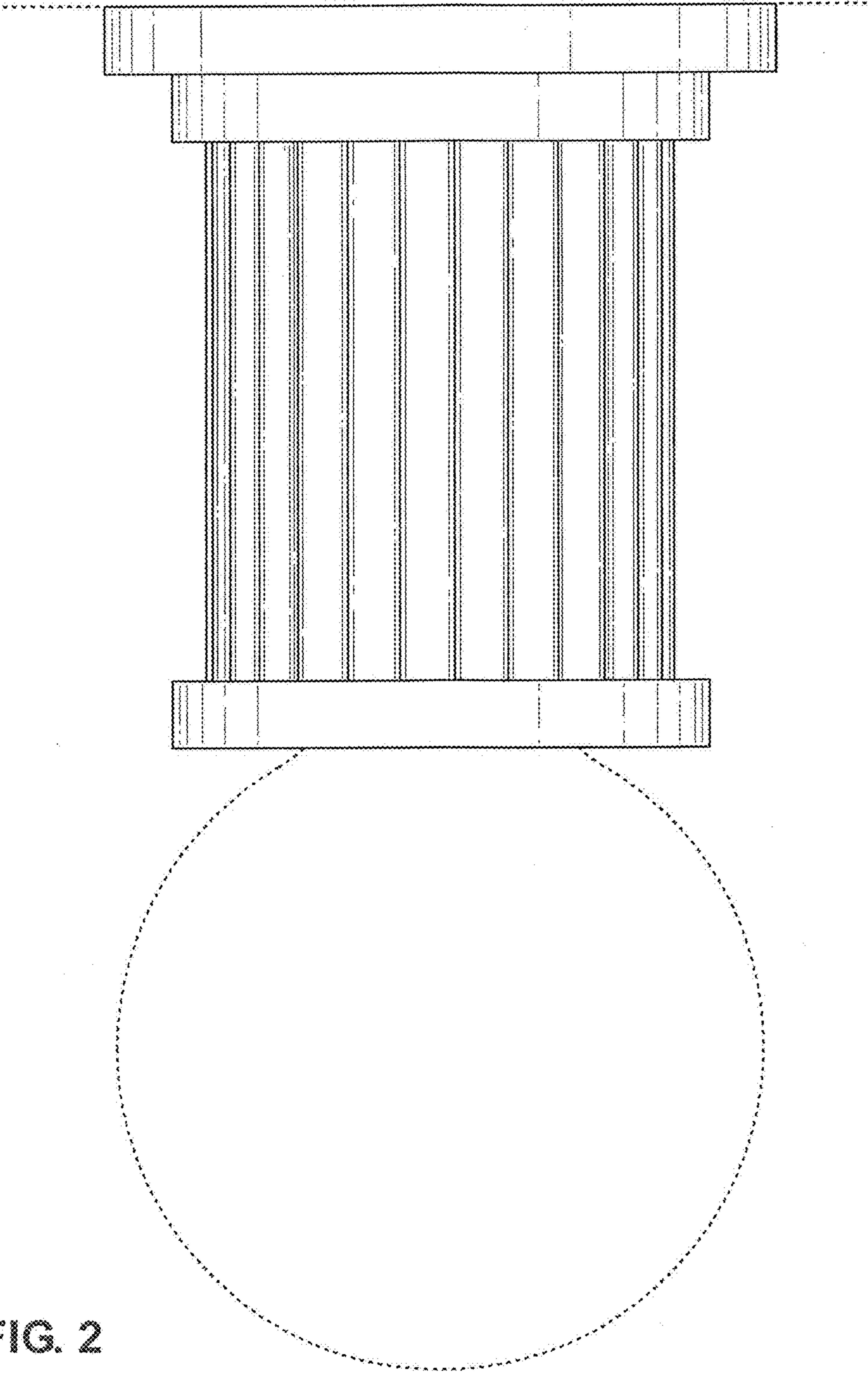


FIG. 2

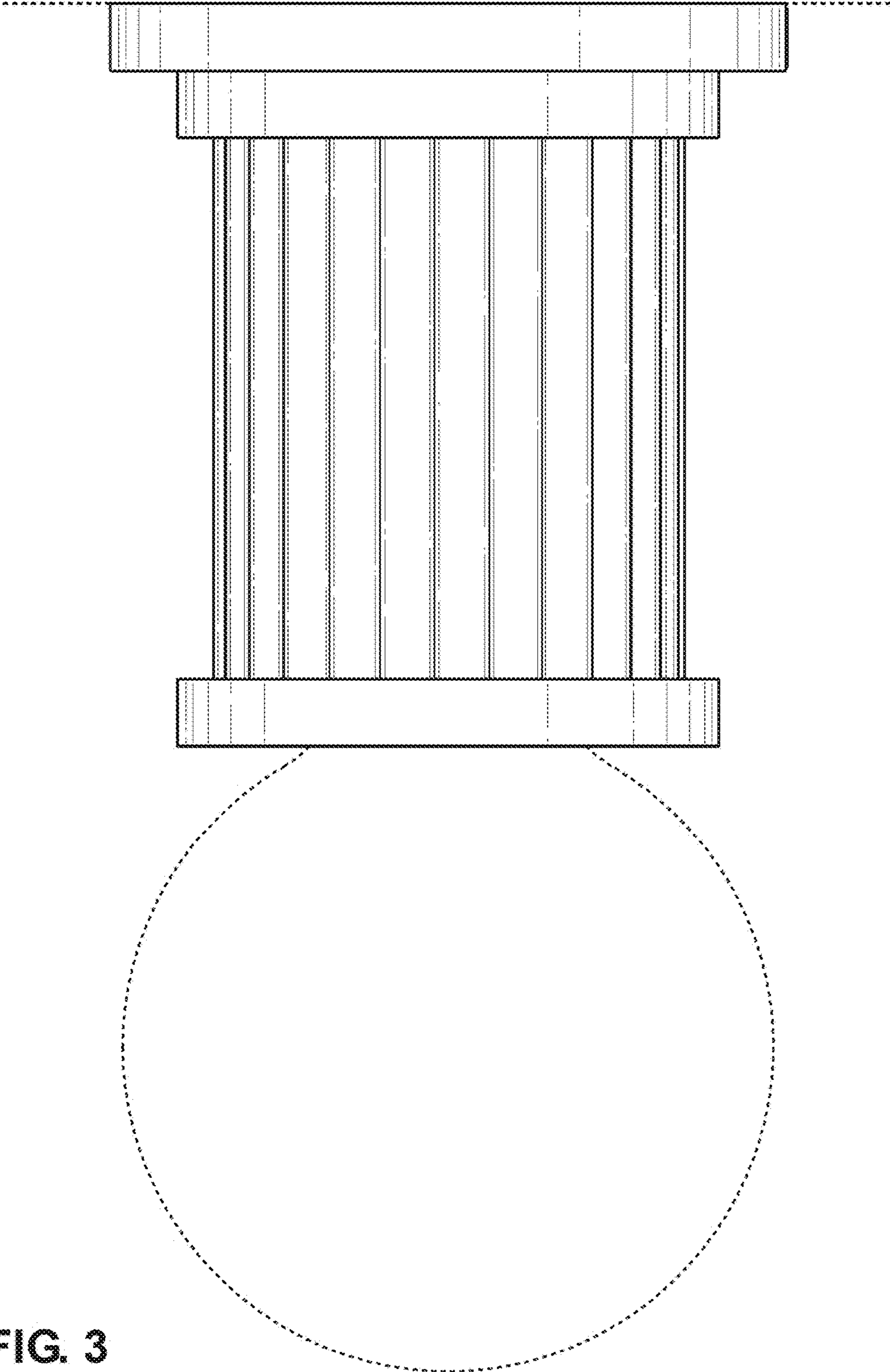


FIG. 3

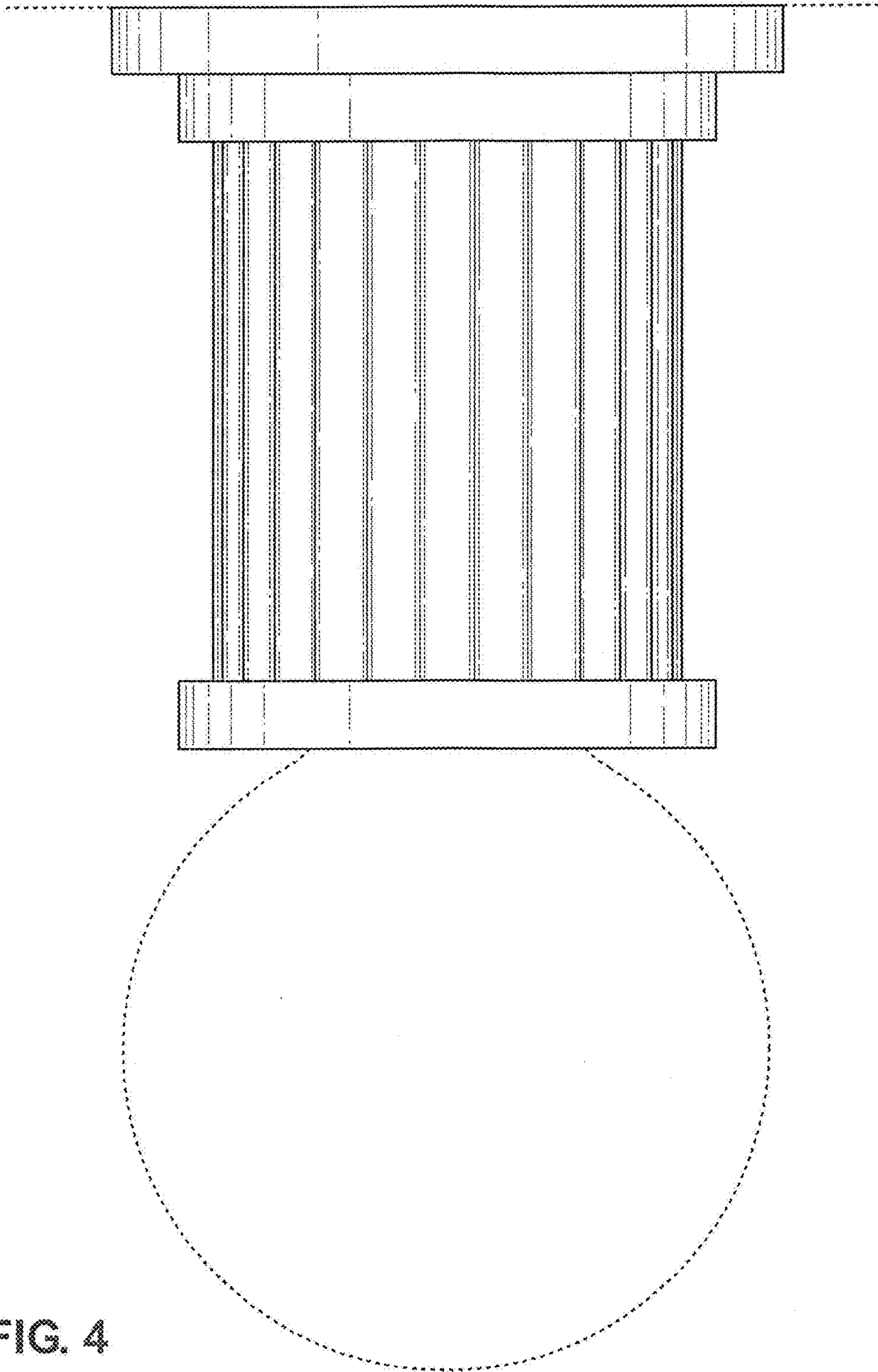


FIG. 4

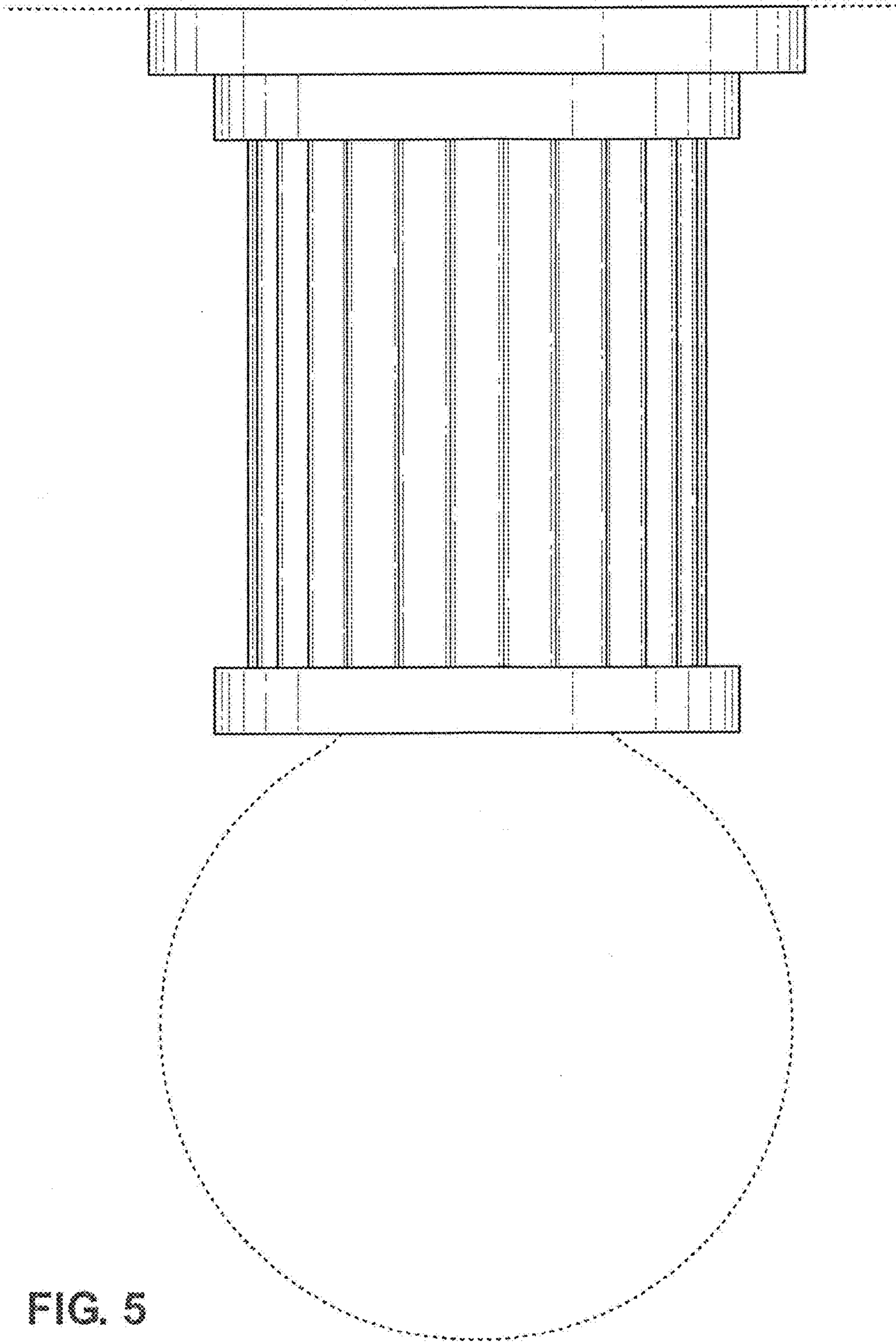


FIG. 5

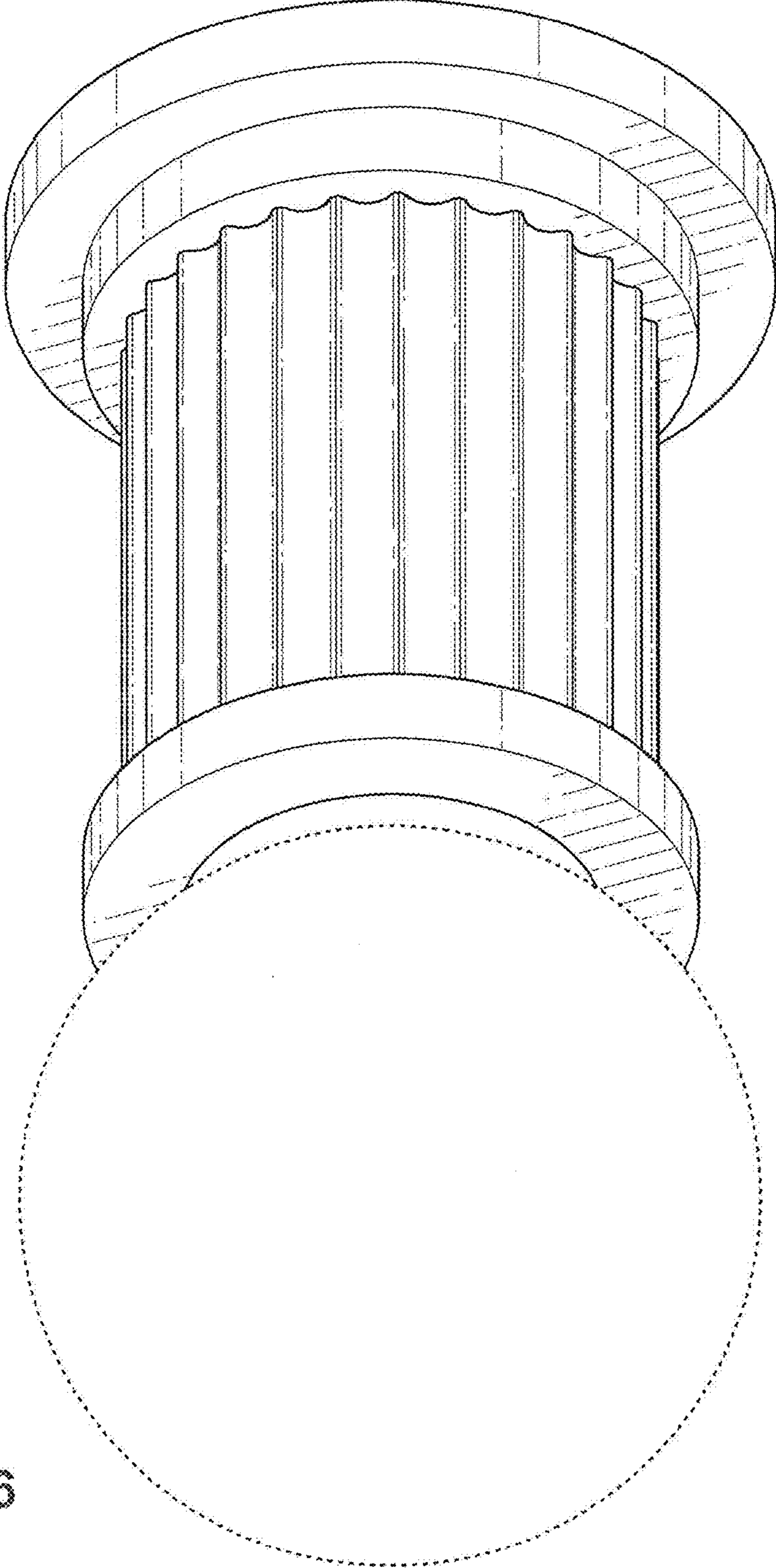


FIG. 6

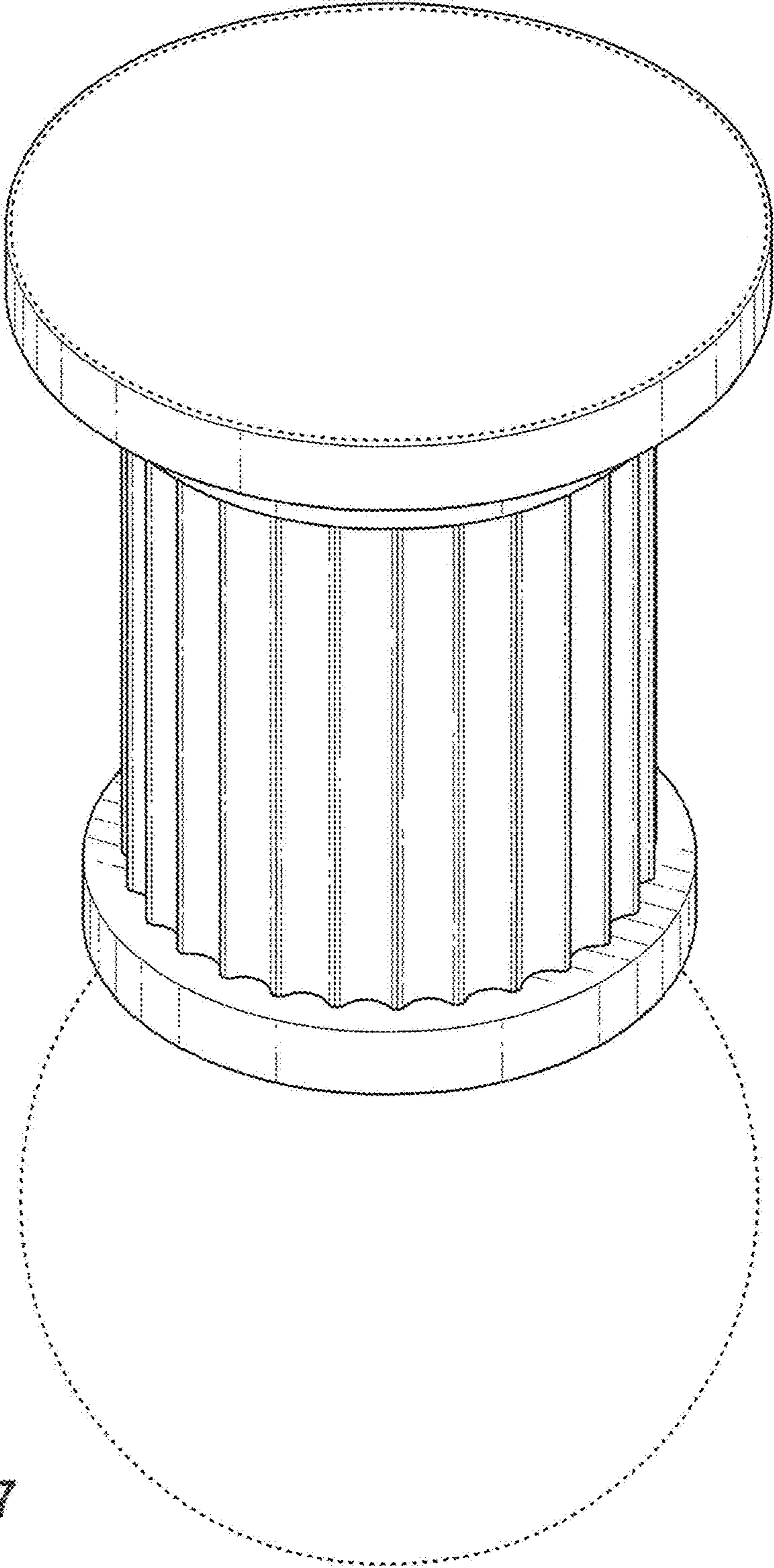


FIG. 7