



US00D837438S

(12) **United States Design Patent**
Xie

(10) **Patent No.:** **US D837,438 S**

(45) **Date of Patent:** **** Jan. 1, 2019**

(54) **INTELLIGENT MONITORING DOOR LIGHT**

(71) Applicant: **Xianqiang Xie**, Shenzhen (CN)

(72) Inventor: **Xianqiang Xie**, Shenzhen (CN)

(**) Term: **15 Years**

(21) Appl. No.: **29/612,062**

(22) Filed: **Jul. 28, 2017**

(30) **Foreign Application Priority Data**

Jul. 21, 2017 (CN) 2017 3 0324361

(51) **LOC (11) Cl.** **26-03**

(52) **U.S. Cl.**
USPC **D26/87; D26/51; D10/106.8**

(58) **Field of Classification Search**
USPC D26/26, 51, 67, 72, 85, 86, 87, 92;
D10/106.8
CPC F21S 8/03; F21S 8/033; F21S 8/035; F21S
8/036; F21S 8/037; F21S 8/081; F21S
8/088

See application file for complete search history.

(56) **References Cited**

U.S. PATENT DOCUMENTS

D382,665 S * 8/1997 Ruggles D26/85
D454,652 S * 3/2002 Crelin D26/85
D465,296 S * 11/2002 DiPasquale D26/67
D466,429 S * 12/2002 Sandell D10/106.8
D495,817 S * 9/2004 Bucher D26/67
6,943,687 B2 * 9/2005 Lee G08B 13/19
250/338.1

D511,393 S * 11/2005 Mandell D26/67
D540,970 S * 4/2007 Chen D26/67
D563,584 S * 3/2008 Lee D26/67
7,641,366 B1 * 1/2010 Sibalich F21S 8/033
362/276
D629,949 S * 12/2010 Ho D26/67
D646,833 S * 10/2011 Chen D26/67
D669,622 S * 10/2012 Orozco D26/128
D684,293 S * 6/2013 Lastimoso D26/85
D693,956 S * 11/2013 Yang D26/67
D694,458 S * 11/2013 Yang D26/67
D773,706 S * 12/2016 Ookawa D26/51
9,551,481 B1 * 1/2017 Chen F21S 8/033
D822,246 S * 7/2018 Hou D26/51

* cited by examiner

Primary Examiner — Clare E Heflin

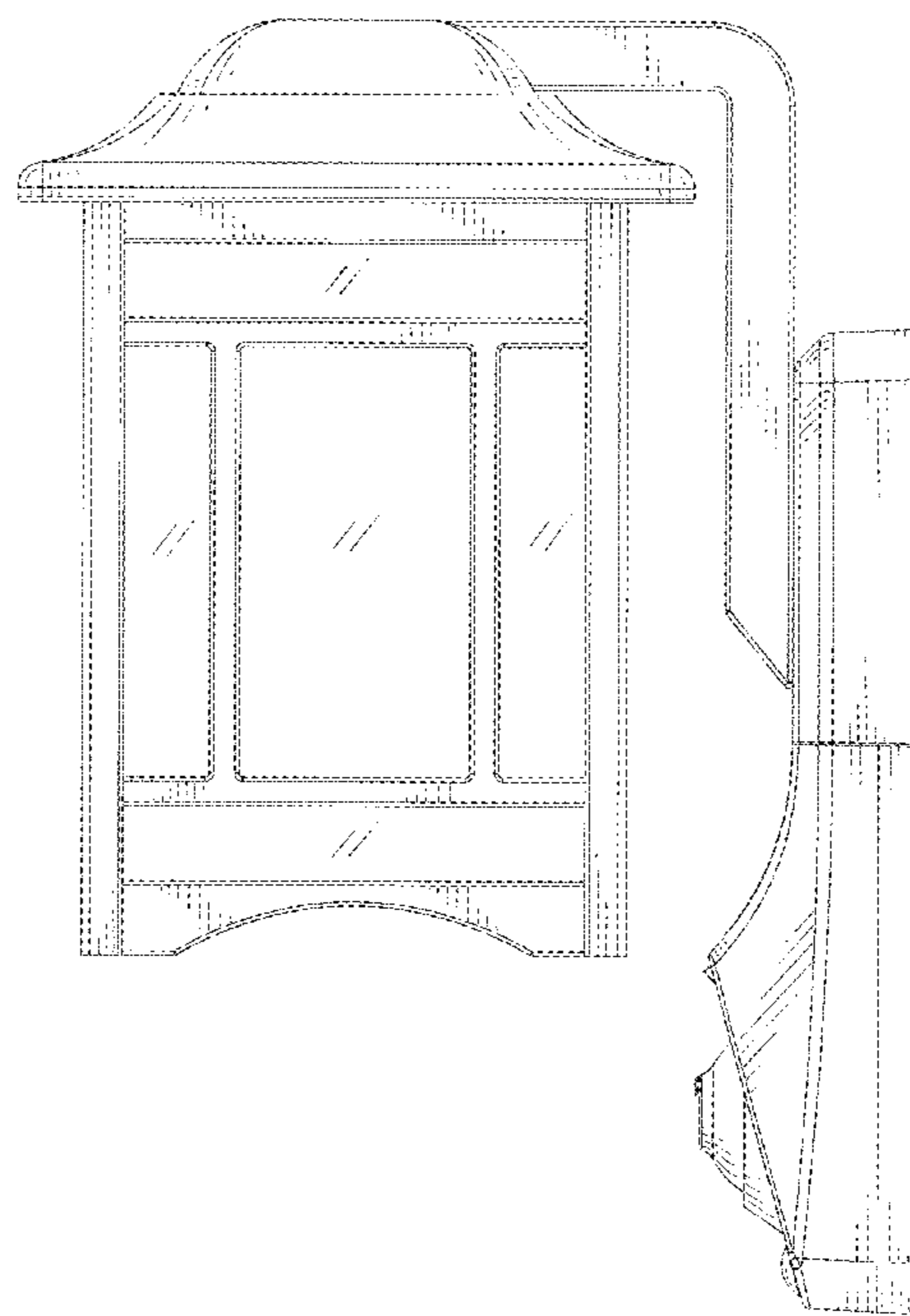
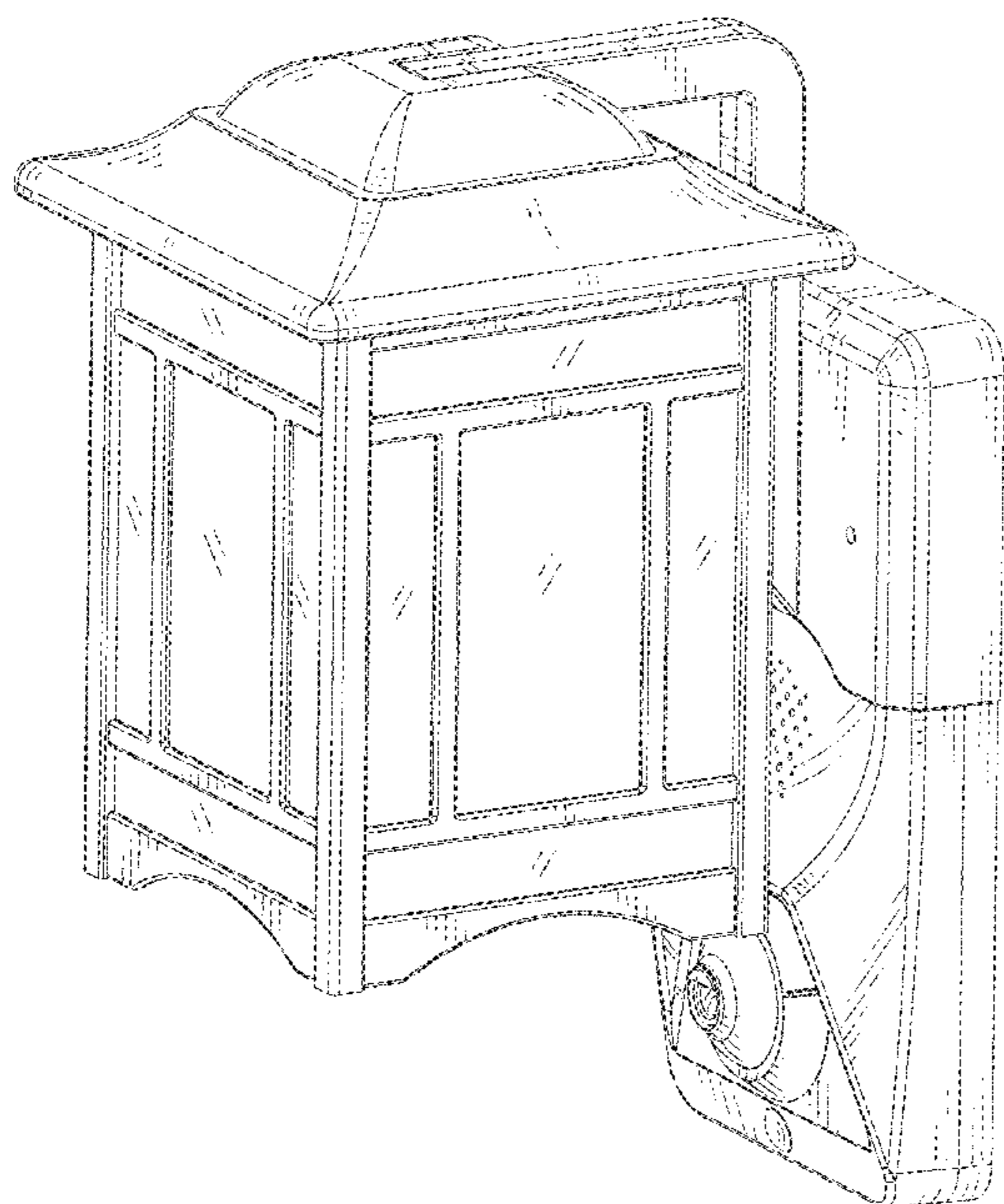
(57) **CLAIM**

I claim the ornamental design for an intelligent monitoring door light, as shown and described.

DESCRIPTION

FIG. 1 is a perspective view of an intelligent monitoring door light showing my new design;
FIG. 2 is a front elevational view thereof;
FIG. 3 is a rear elevational view thereof;
FIG. 4 is a left side elevational view thereof;
FIG. 5 is a right side elevational view thereof;
FIG. 6 is a top plan view thereof; and,
FIG. 7 is a bottom plan view thereof.
The broken lines in the drawings illustration portions of the intelligent monitoring door light that form no part of the claimed design.

1 Claim, 7 Drawing Sheets



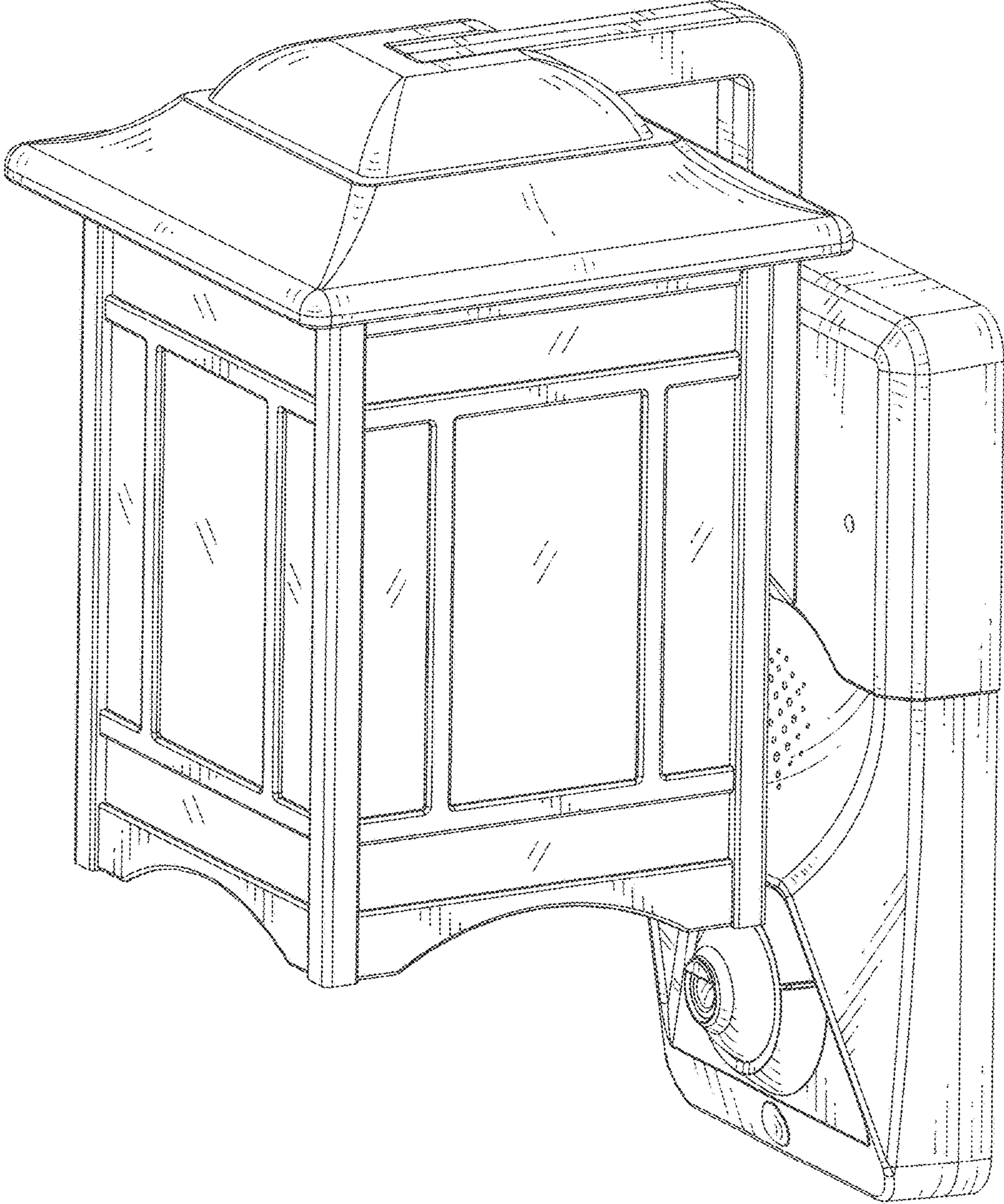


Fig.1

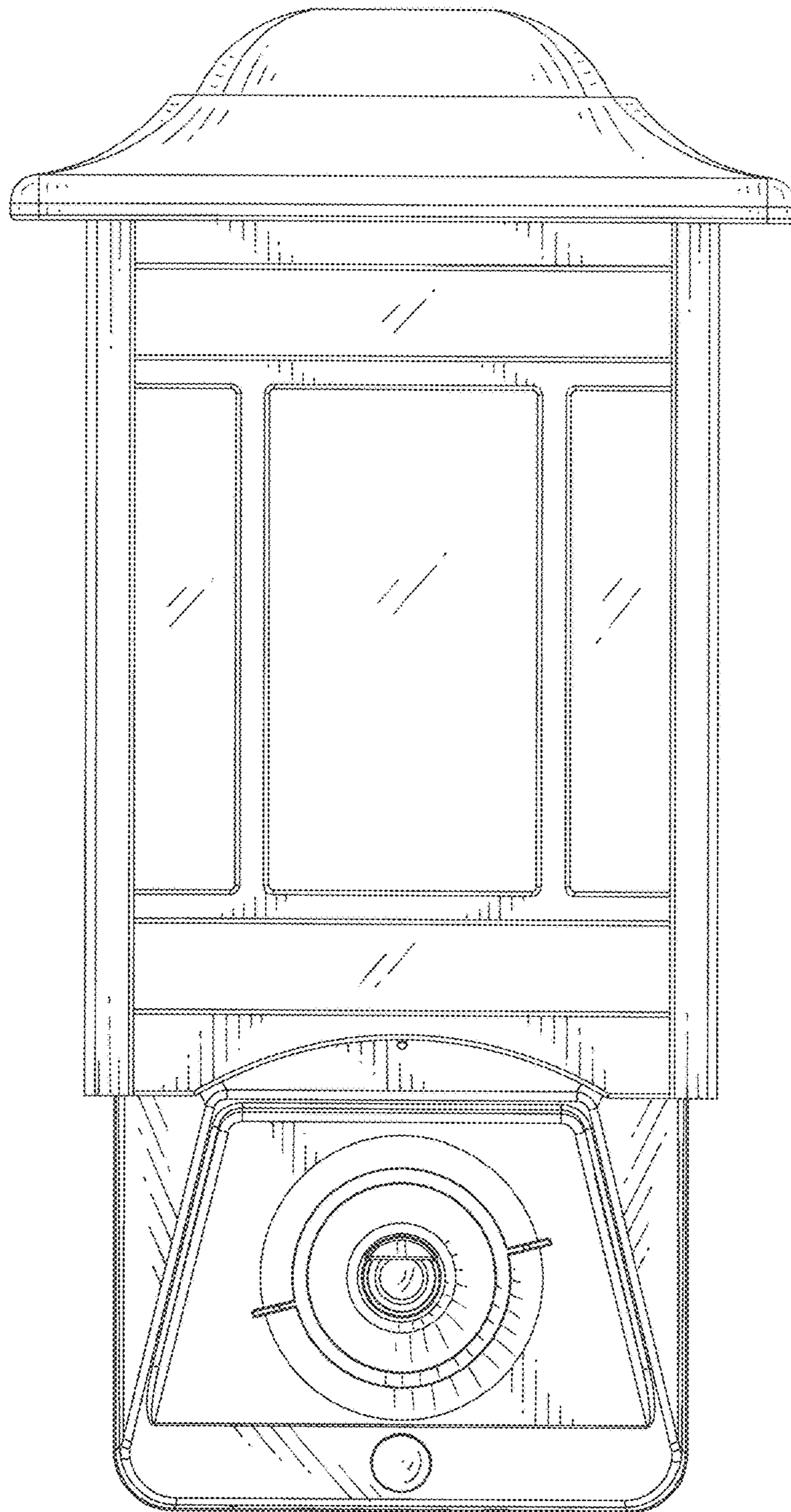


Fig.2

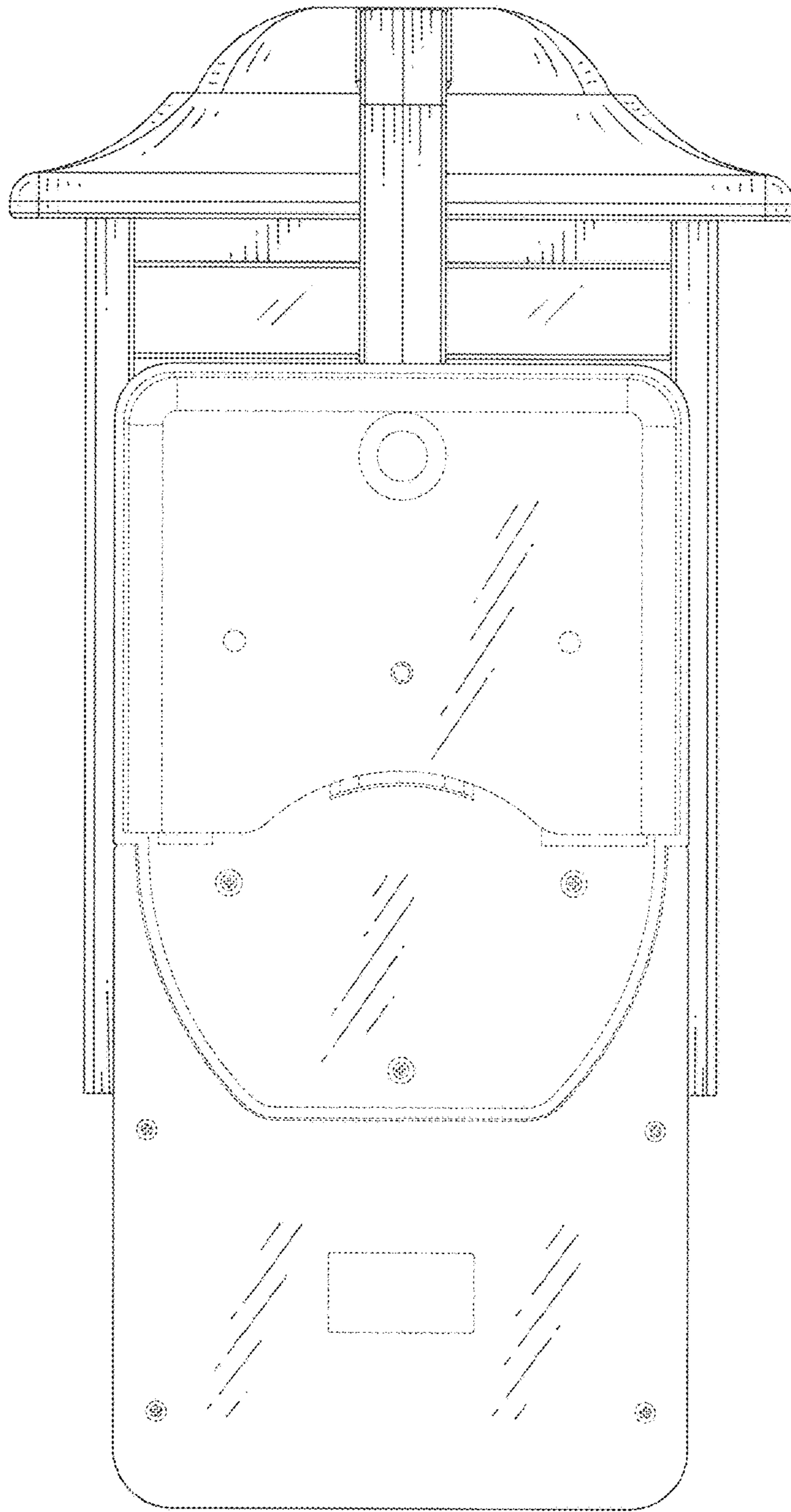


Fig.3

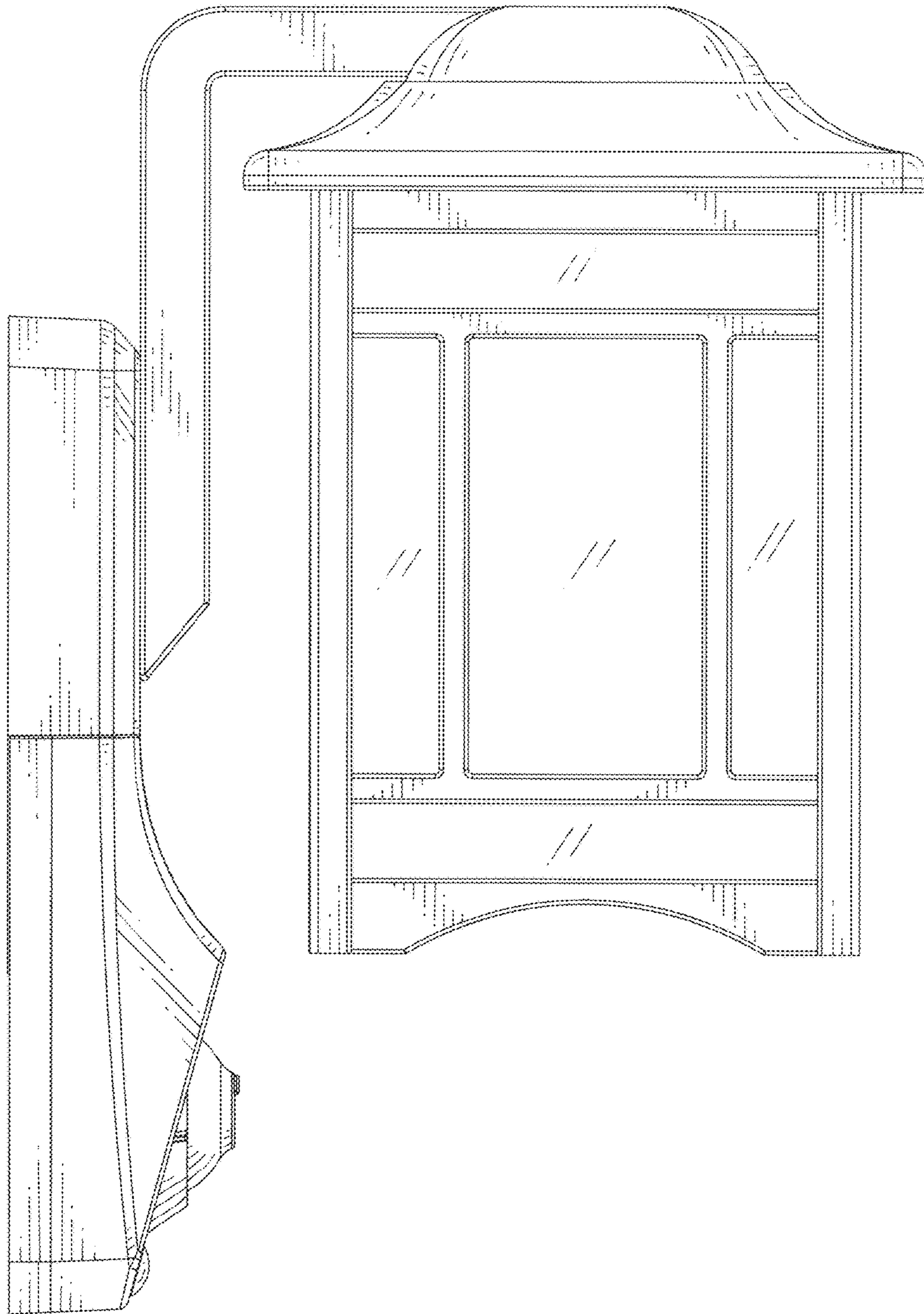


Fig.4

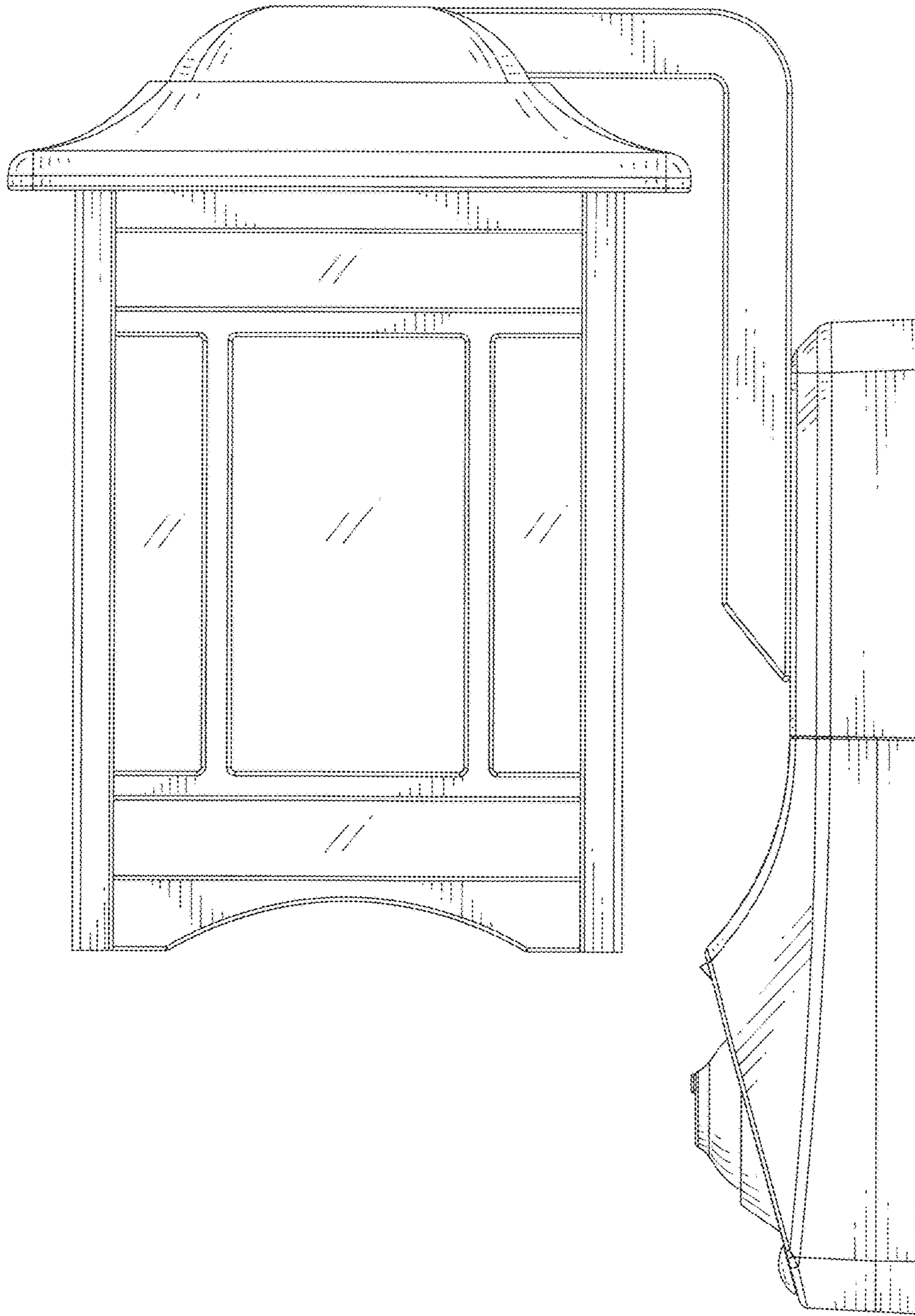


Fig.5

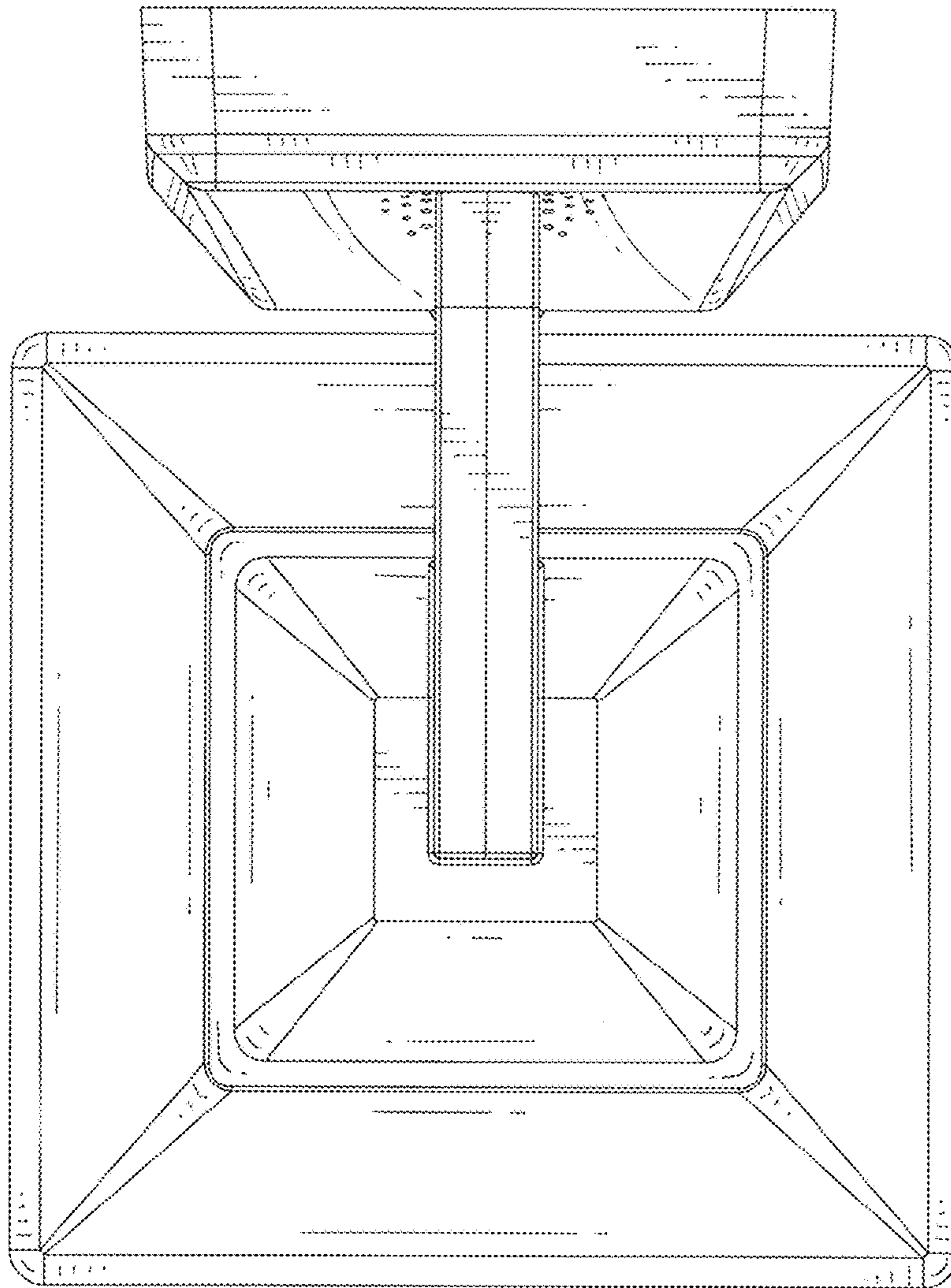


Fig.6

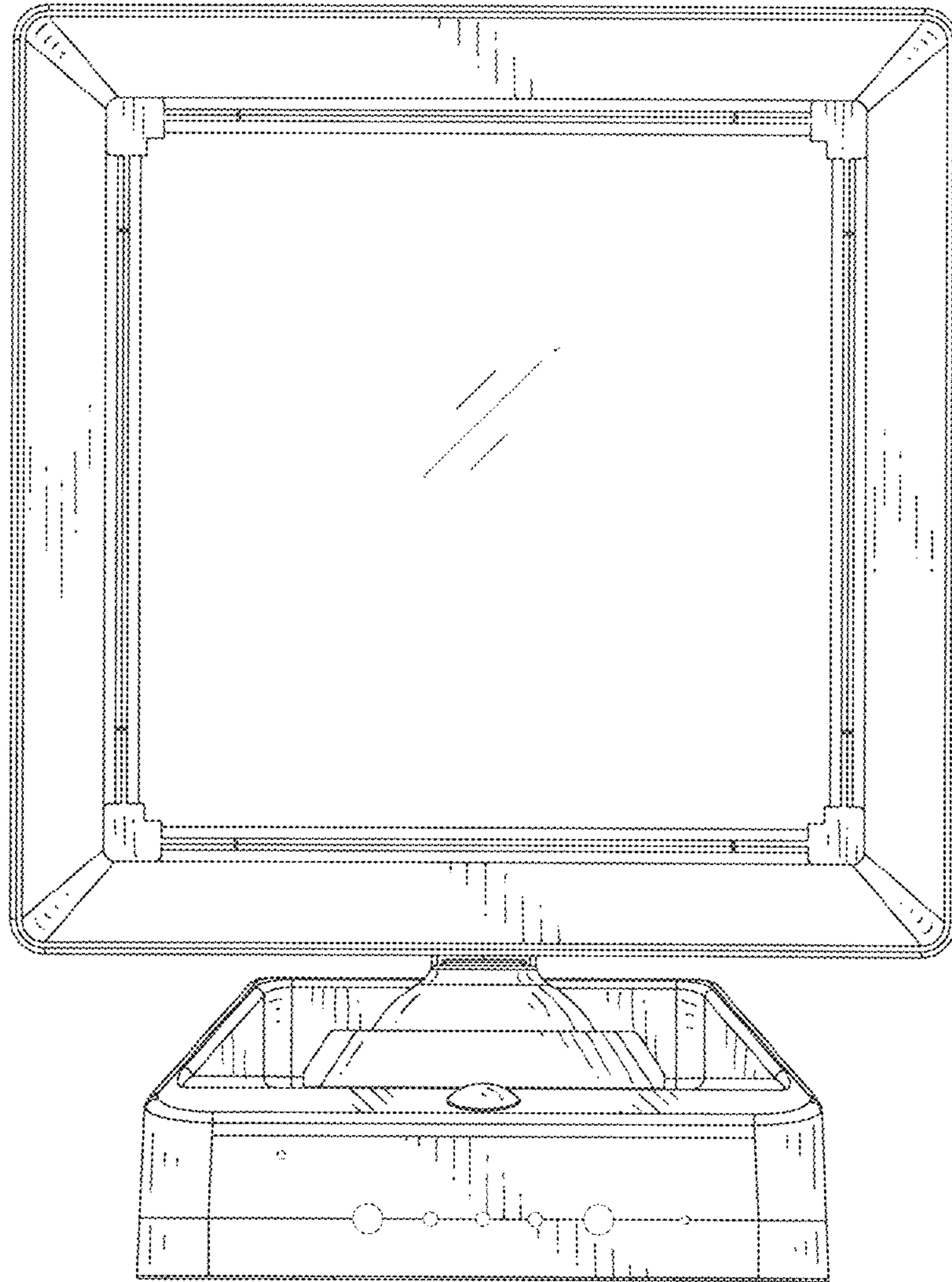


Fig.7