



US00D837437S

(12) **United States Design Patent**  
**Liu**

(10) **Patent No.:** **US D837,437 S**  
(45) **Date of Patent:** **\*\* Jan. 1, 2019**

- (54) **SOLAR LIGHT**
- (71) Applicant: **Shenzhen Herboter Industry Co., Ltd.**, Shenzhen, Guangdong Province (CN)
- (72) Inventor: **Huipin Liu**, Shenzhen (CN)
- (73) Assignee: **SHENZHEN HERBOTER INDUSTRY CO., LTD.**, Shenzhen (CN)

5,570,000 A *	10/1996	Kowalski .....	F21S 8/033 136/291
D465,593 S *	11/2002	Chang .....	D26/72
D493,009 S *	7/2004	Ken .....	D26/51
D586,030 S *	2/2009	Genova .....	D26/85
D604,004 S *	11/2009	Guercio .....	D26/85
D626,270 S *	10/2010	Waldmann .....	D26/85
D662,646 S *	6/2012	Wauters .....	D26/85
D672,901 S *	12/2012	Chiesurin .....	D26/80
D816,880 S *	5/2018	Mou .....	D26/85
D825,091 S *	8/2018	Carraher .....	D26/85
2017/0321877 A1 *	11/2017	Polidoro .....	F21S 8/033

(\*\*) Term: **15 Years**

(21) Appl. No.: **29/613,866**

(22) Filed: **Aug. 14, 2017**

(51) **LOC (11) Cl.** ..... **26-03**

(52) **U.S. Cl.**  
USPC ..... **D26/85**

(58) **Field of Classification Search**  
USPC ..... D26/72, 85, 92  
CPC .... F21S 8/03; F21S 8/033; F21S 8/036; F21S 8/037; F21S 9/022; F21S 9/024; F21S 9/03; F21S 9/035; F21S 9/037; F21W 2131/107; G08B 13/193  
See application file for complete search history.

(56) **References Cited**

**U.S. PATENT DOCUMENTS**

D189,857 S *	3/1961	Lasker .....	D26/85
D255,106 S *	5/1980	Bodenrader .....	D26/85

\* cited by examiner

*Primary Examiner* — Clare E Heflin

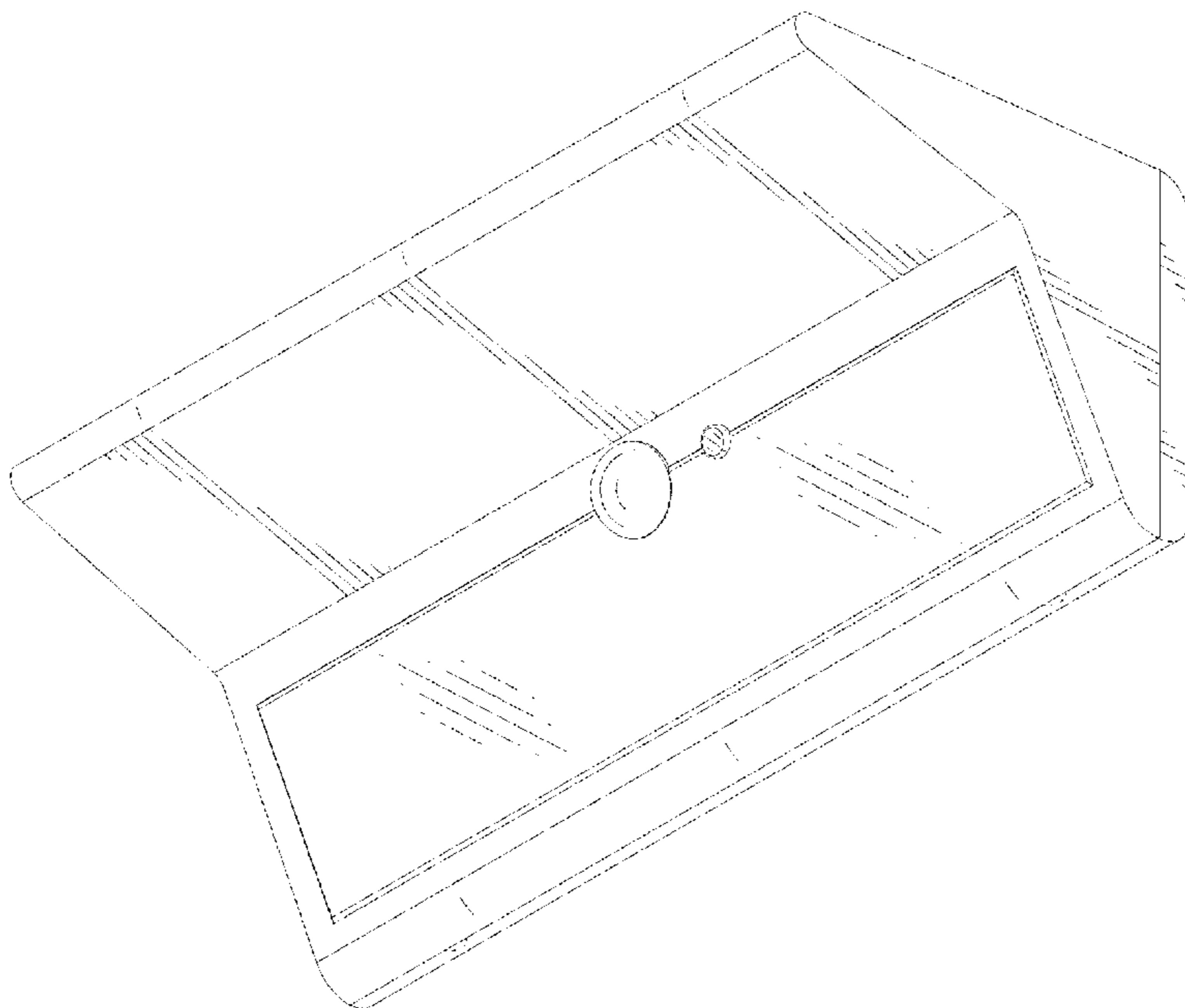
(57) **CLAIM**

The ornamental design for the solar light, as shown and described.

**DESCRIPTION**

FIG. 1 is a perspective view of a solar light, showing my new design.  
 FIG. 2 is a rear perspective view thereof.  
 FIG. 3 is a front view thereof.  
 FIG. 4 is a rear view thereof.  
 FIG. 5 is a left side end view thereof.  
 FIG. 6 is a right side end view thereof.  
 FIG. 7 is a top view thereof; and,  
 FIG. 8 is a bottom view thereof.  
 The broken lines on the drawings represent portions of the solar light that form no part of the claimed design.

**1 Claim, 8 Drawing Sheets**



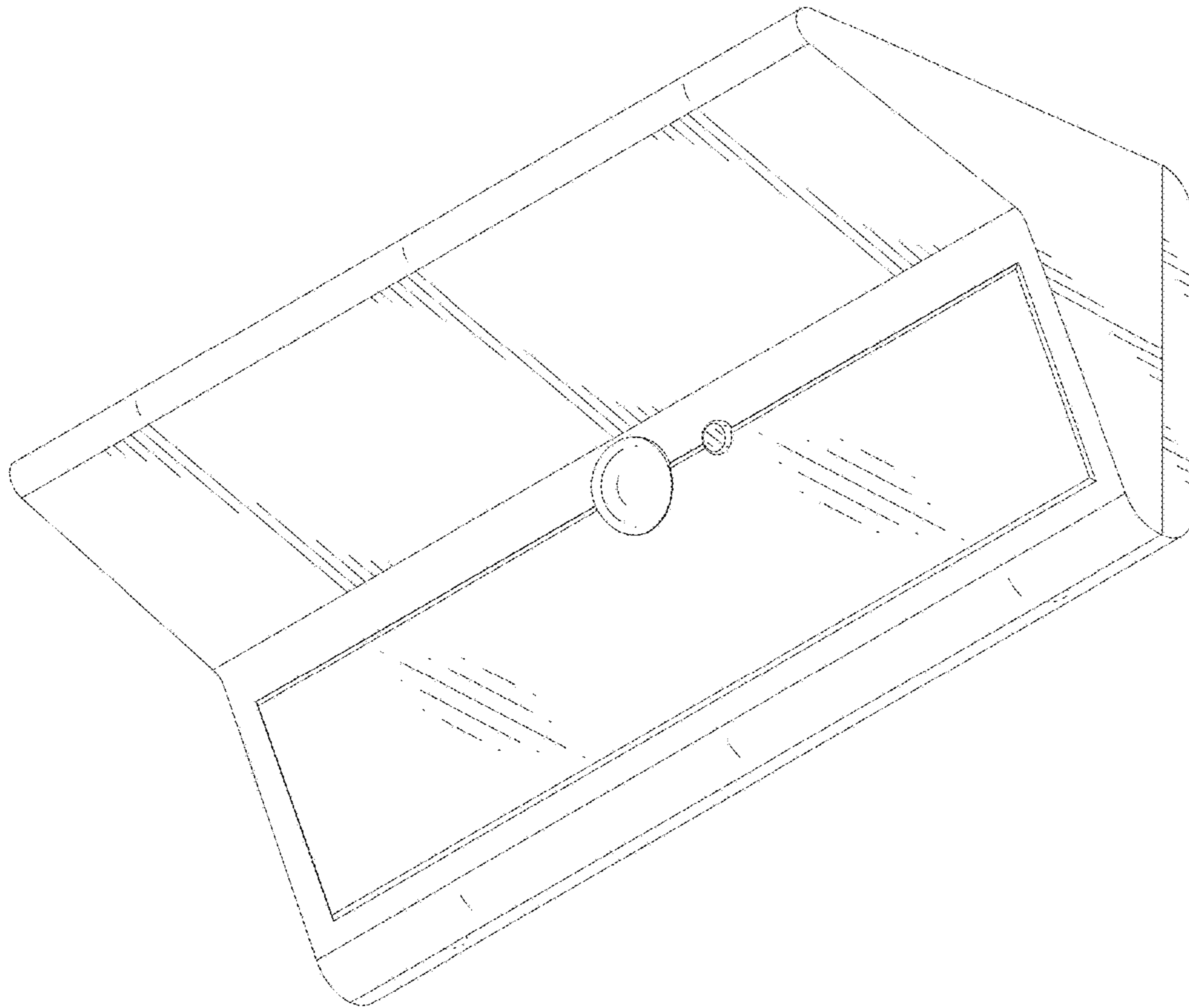


FIG.1

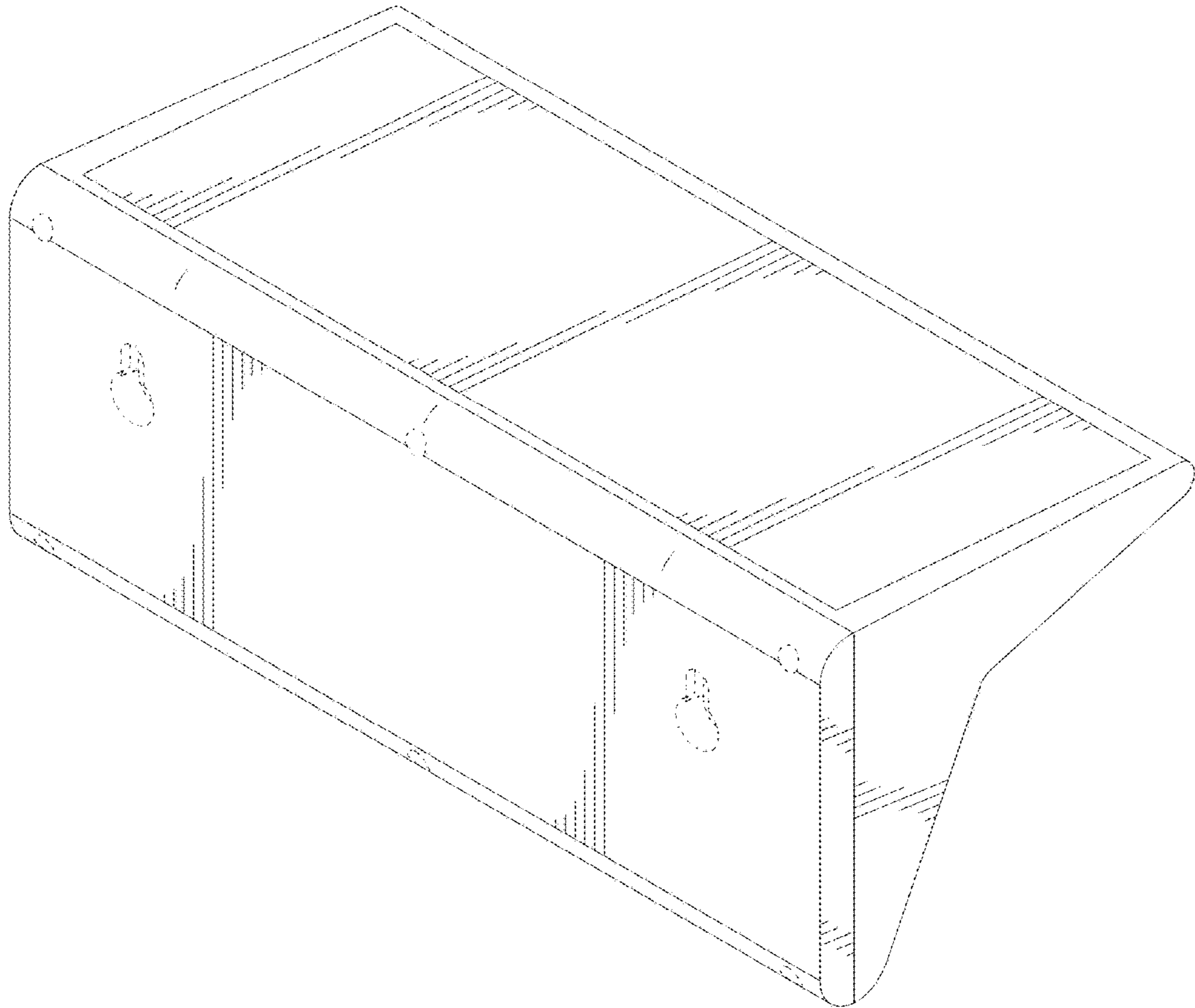


FIG.2

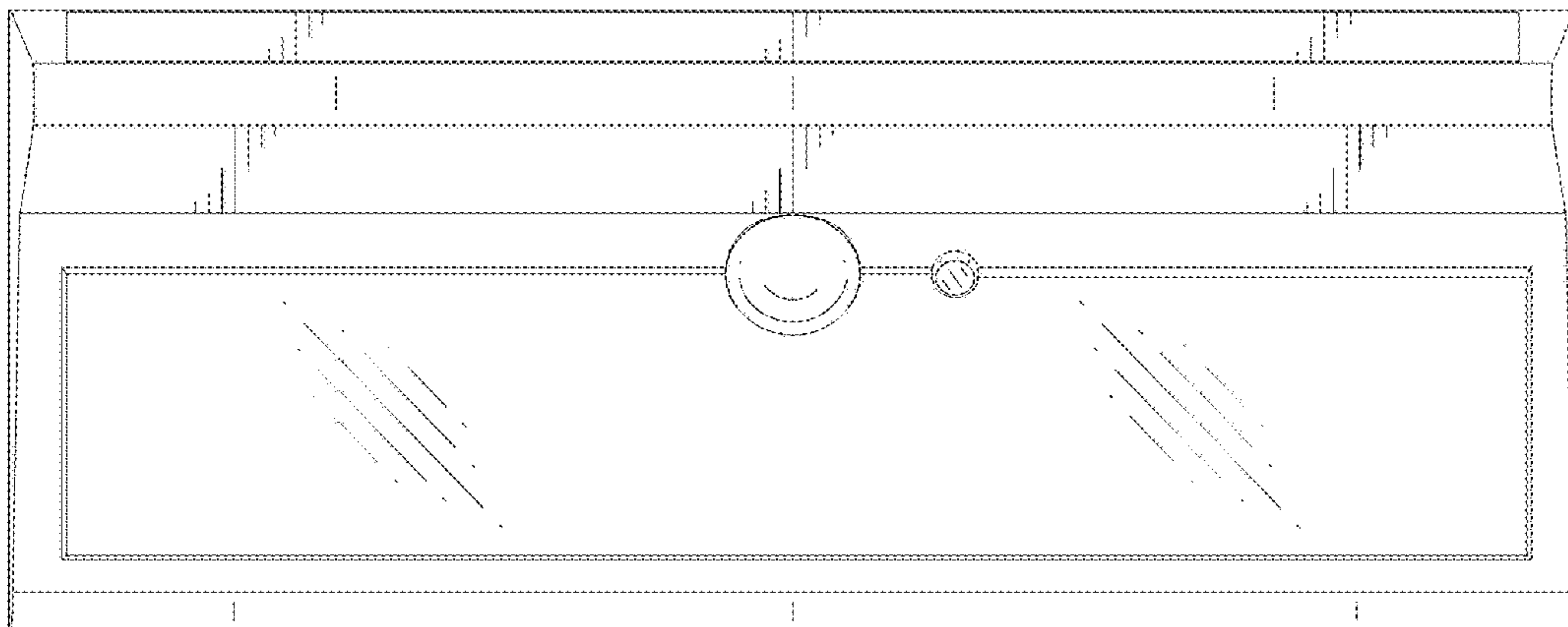


FIG.3

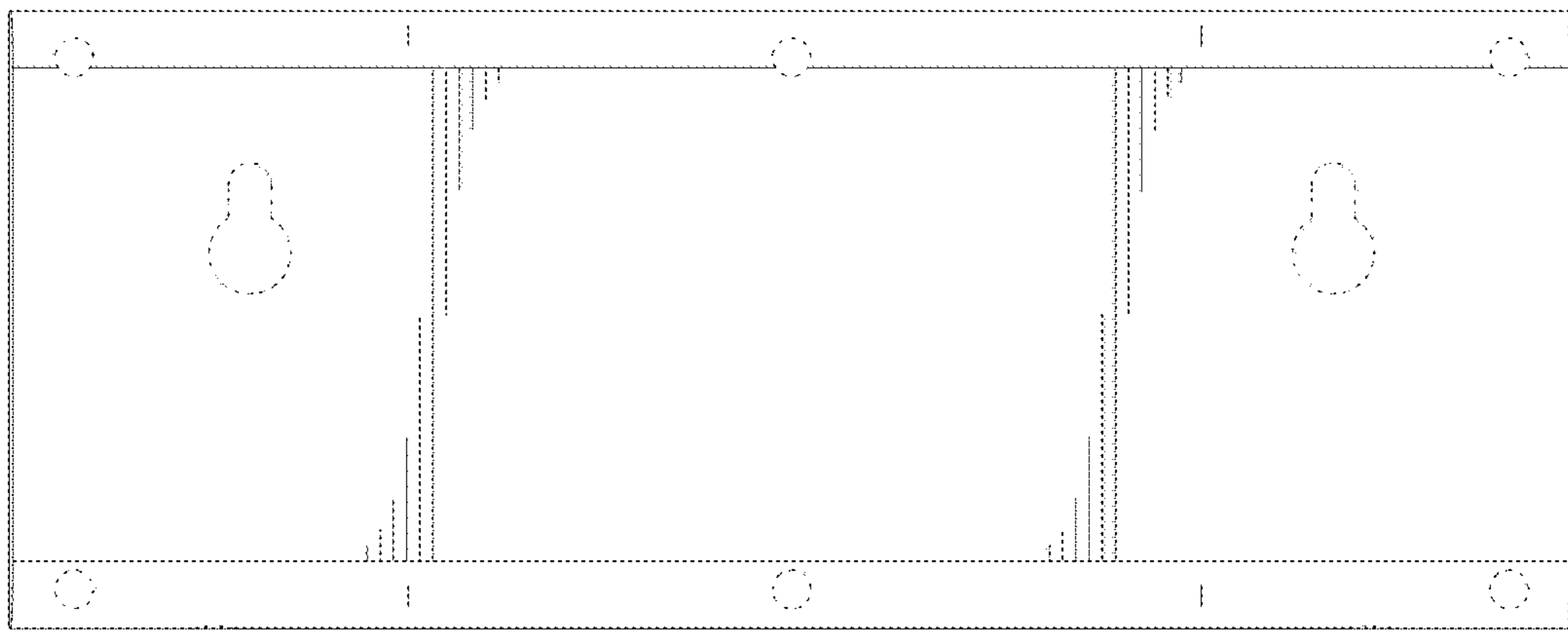


FIG.4

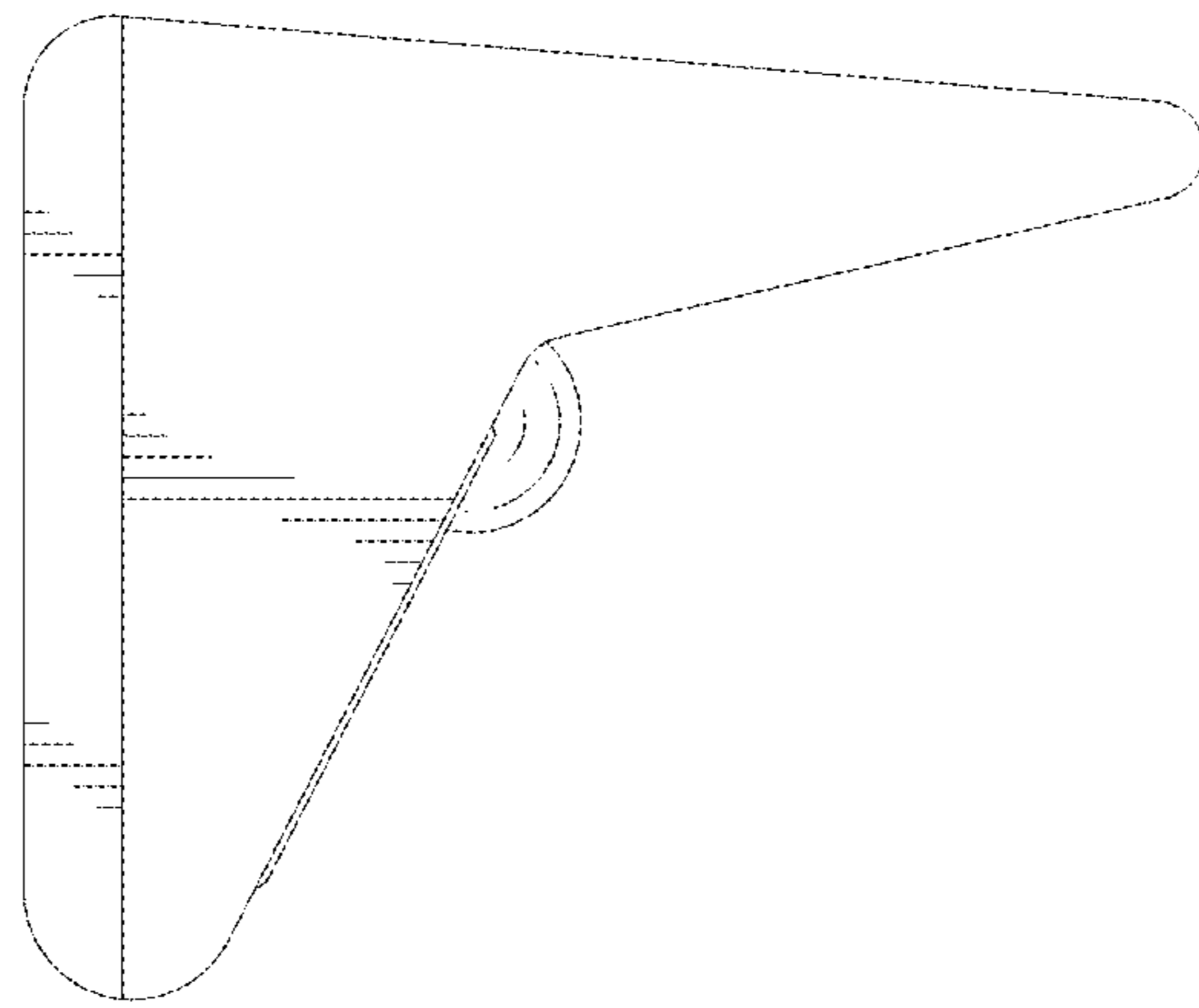


FIG.5

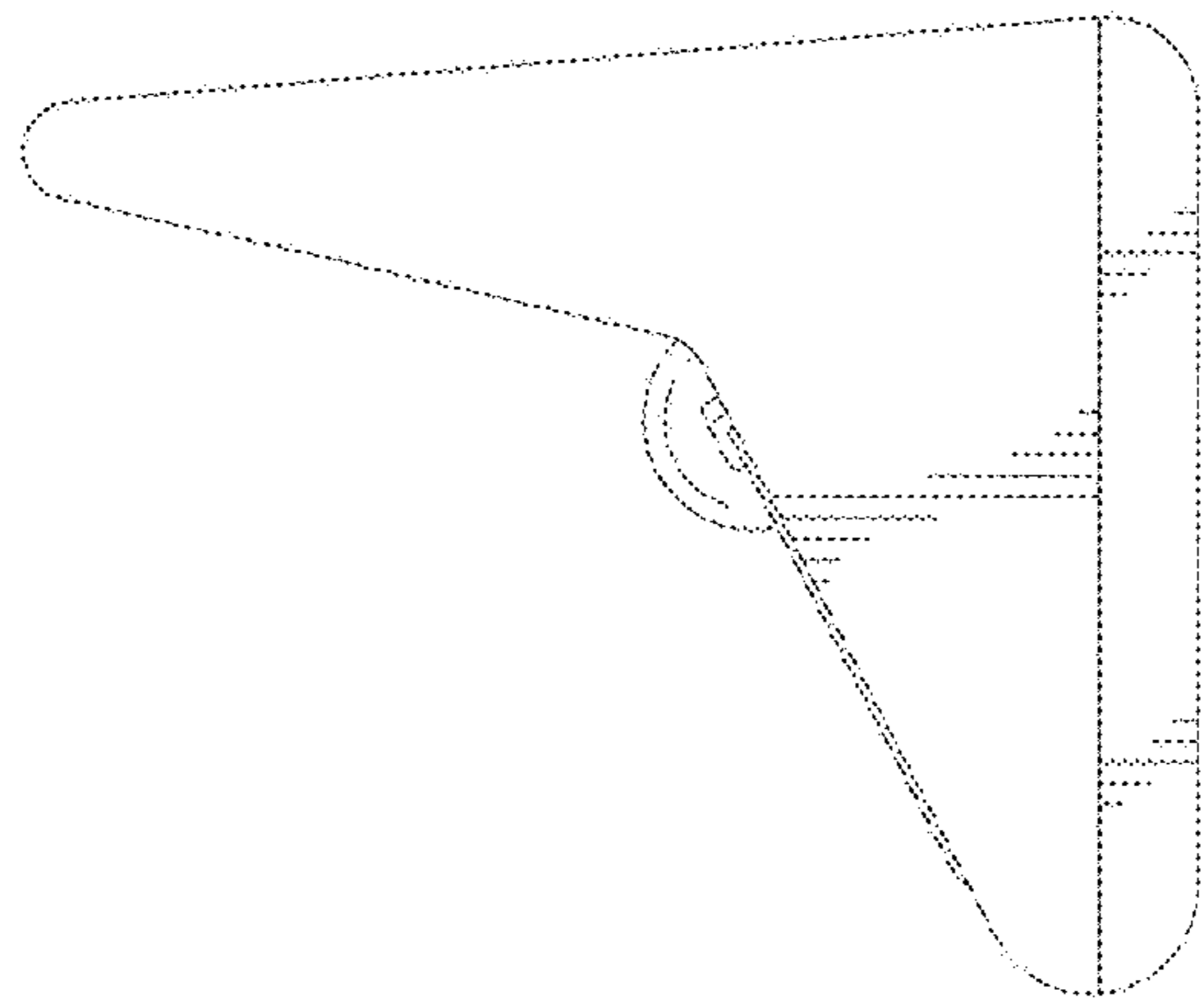


FIG. 6

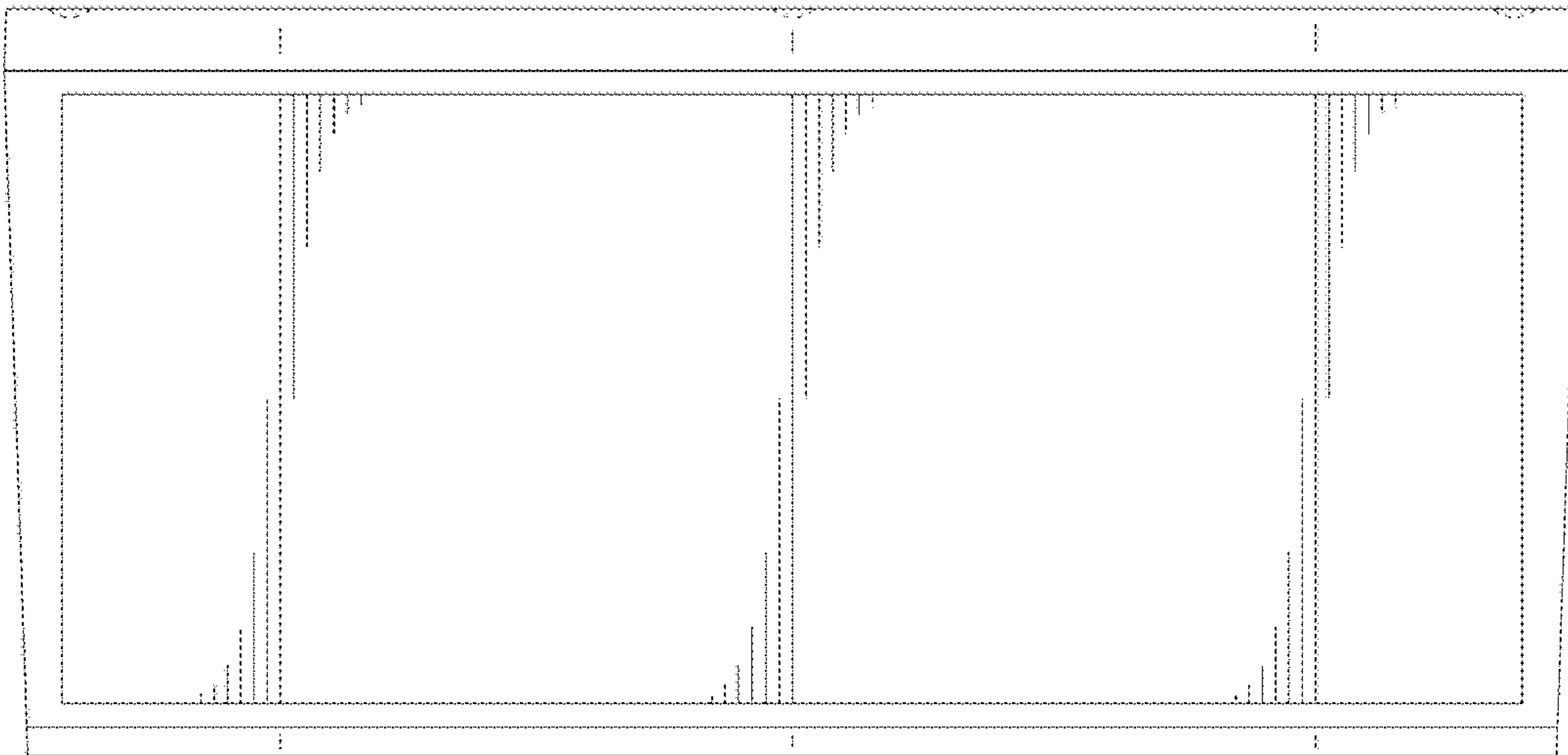


FIG.7



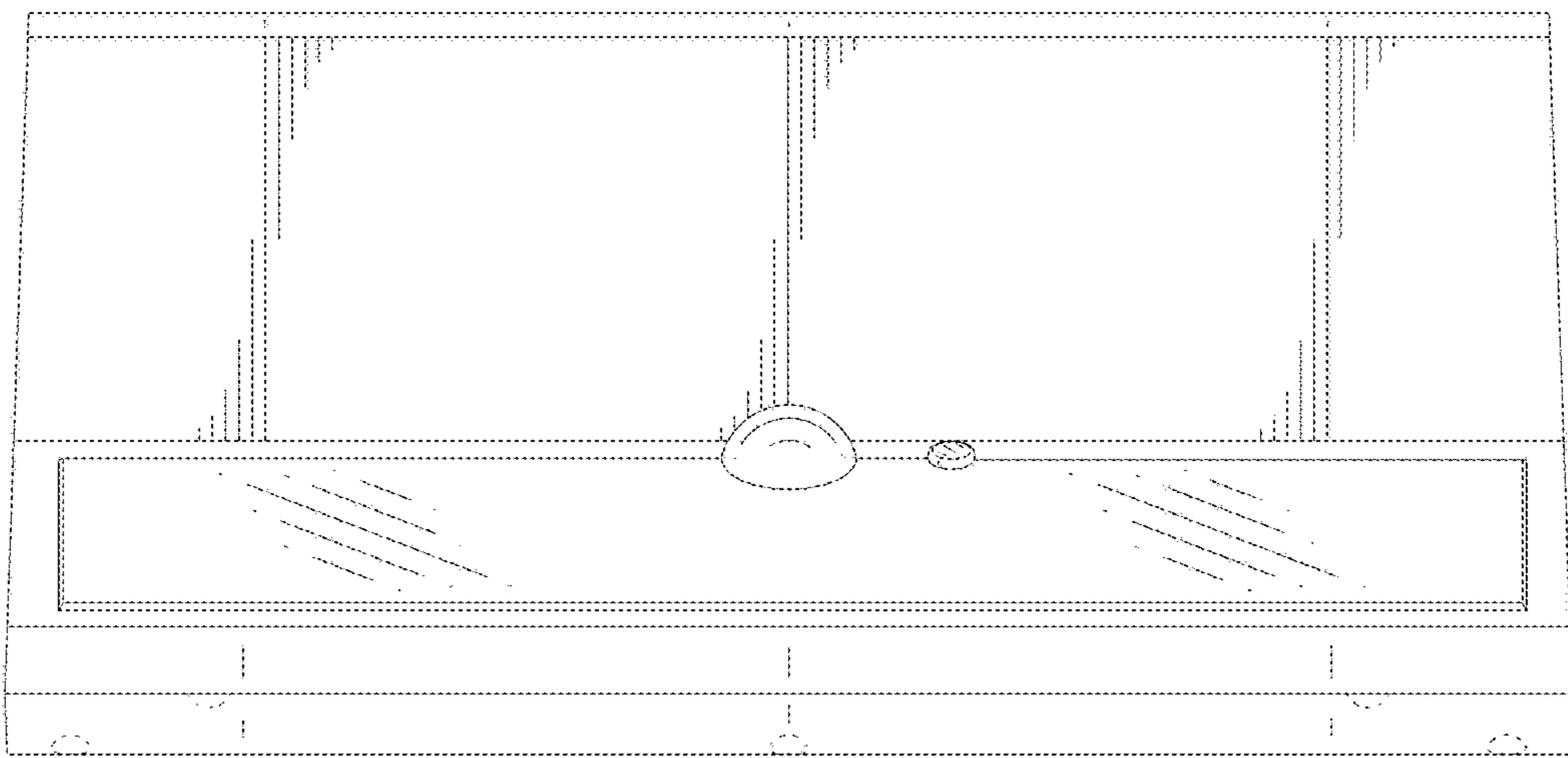


FIG.8