



US00D837435S

(12) **United States Design Patent**
Richardson et al.

(10) **Patent No.:** **US D837,435 S**

(45) **Date of Patent:** **** Jan. 1, 2019**

(54) **LIGHT**

(71) Applicant: **RBW STUDIO, LLC**, Brooklyn, NY (US)

(72) Inventors: **Theodore Richardson**, Brooklyn, NY (US); **Charles Brill**, Brooklyn, NY (US); **Alexander Williams**, Brooklyn, NY (US); **Barry Richards**, New York, NY (US); **David Rockwell**, New York, NY (US)

(73) Assignee: **RBW STUDIO, LLC**, Brooklyn, NY (US)

(**) Term: **15 Years**

(21) Appl. No.: **29/602,669**

(22) Filed: **May 2, 2017**

(51) **LOC (11) Cl.** **26-03**

(52) **U.S. Cl.**
USPC **D26/82; D26/88**

(58) **Field of Classification Search**
USPC D26/72, 80, 81, 82, 83, 84, 85, 86, 88, D26/91
CPC F21S 8/03; F21S 8/04; F21S 8/043; F21S 8/046; F21S 8/06; F21S 8/061; F21S 8/063; F21S 8/065
See application file for complete search history.

(56) **References Cited**

U.S. PATENT DOCUMENTS

D206,454 S * 12/1966 Rosen D26/80
D481,484 S * 10/2003 Cuevas D26/84

D596,331 S * 7/2009 Sabernig D26/84
D597,702 S * 8/2009 Sabernig D26/84
D620,180 S * 7/2010 Sabernig D26/84
D620,630 S * 7/2010 Sabernig D26/86
D729,431 S * 5/2015 Miller D26/88
D759,875 S * 6/2016 Giopato D26/88

OTHER PUBLICATIONS

8132 Collins—Modern Black Rectangular 3—Light Pendant from discountlighting.com.au, visited Jul. 23, 2018. (Year: 2018).*
The Broadway Brass and Frosted Glass Globe Rectangular Chandelier by LighUpMyHome. Part No. LUMH-702. Date first available from amazon.com—Aug. 30, 2017. (Year: 2017).*
Double lights wall lamp by Maso Home. Part No. MS-61406. Date first available from amazon.com—Jun. 16, 2017. (Year: 2017).*

* cited by examiner

Primary Examiner — Clare E Heffin

(74) *Attorney, Agent, or Firm* — Saidman DesignLaw Group, LLC

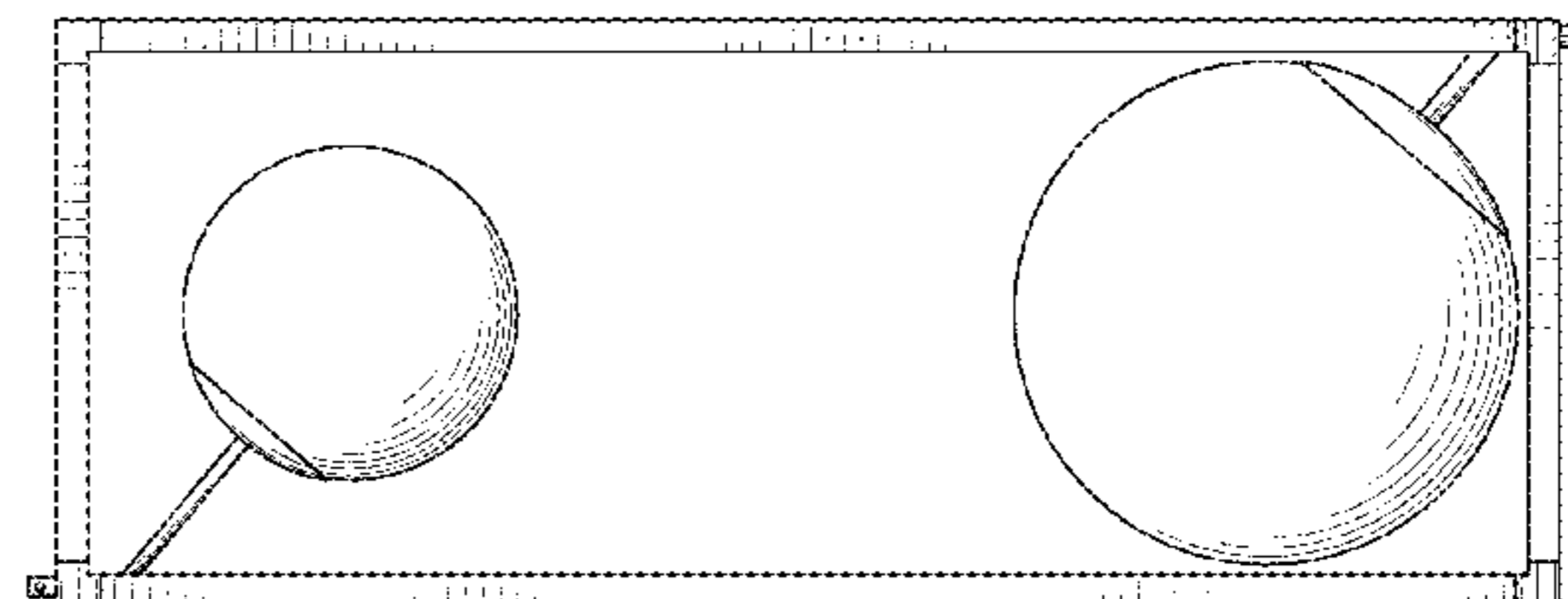
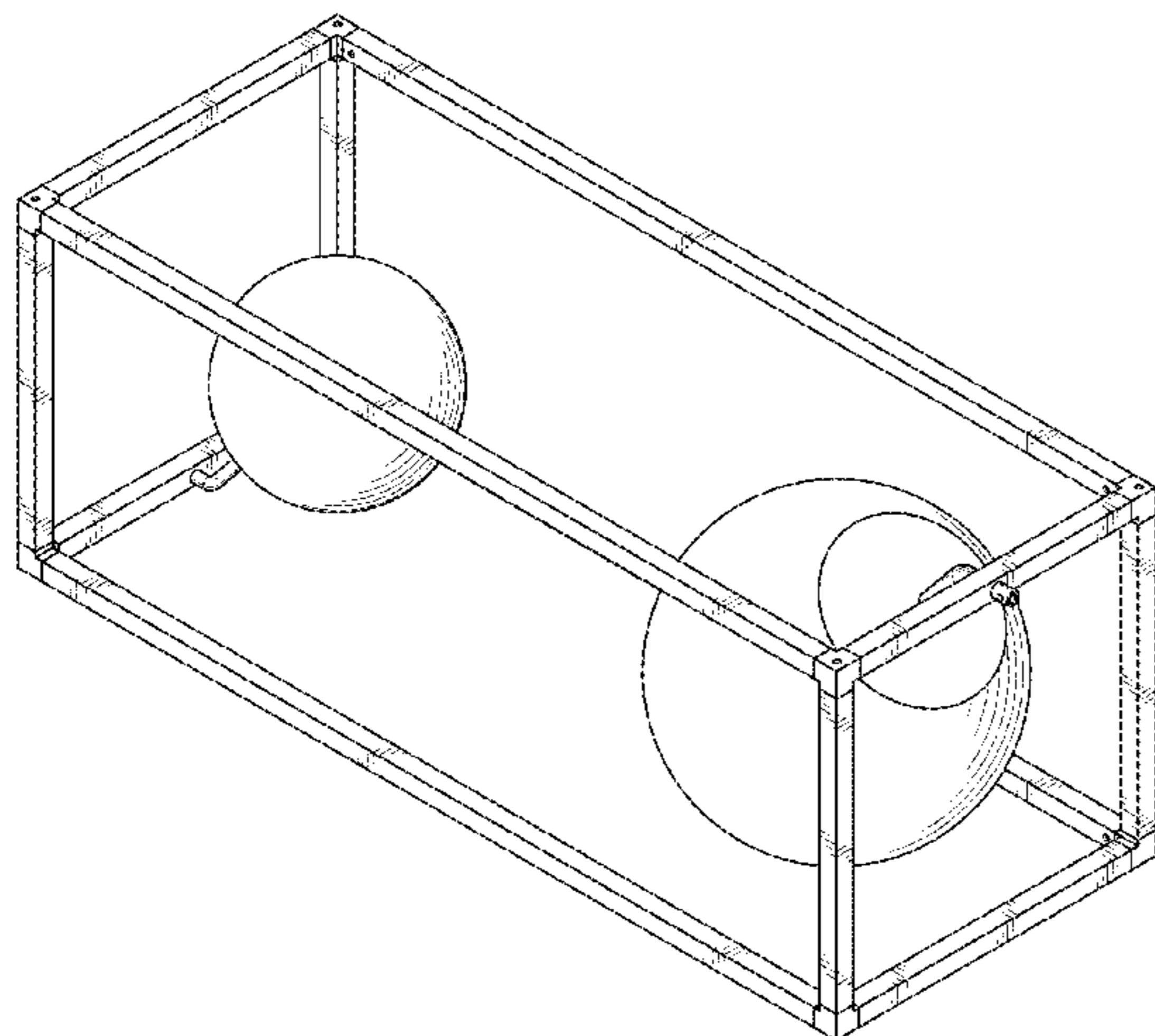
(57) **CLAIM**

The ornamental design for a light, as shown and described.

DESCRIPTION

FIG. 1 is a perspective view of a light showing our new design;
FIG. 2 is a front elevational view thereof;
FIG. 3 is a rear elevational view thereof;
FIG. 4 is a left side elevational view thereof;
FIG. 5 is a right side elevational view thereof;
FIG. 6 is a top plan view thereof; and,
FIG. 7 is a bottom plan view thereof.
The drawings include surface shading which represents contour and not surface ornamentation.

1 Claim, 3 Drawing Sheets



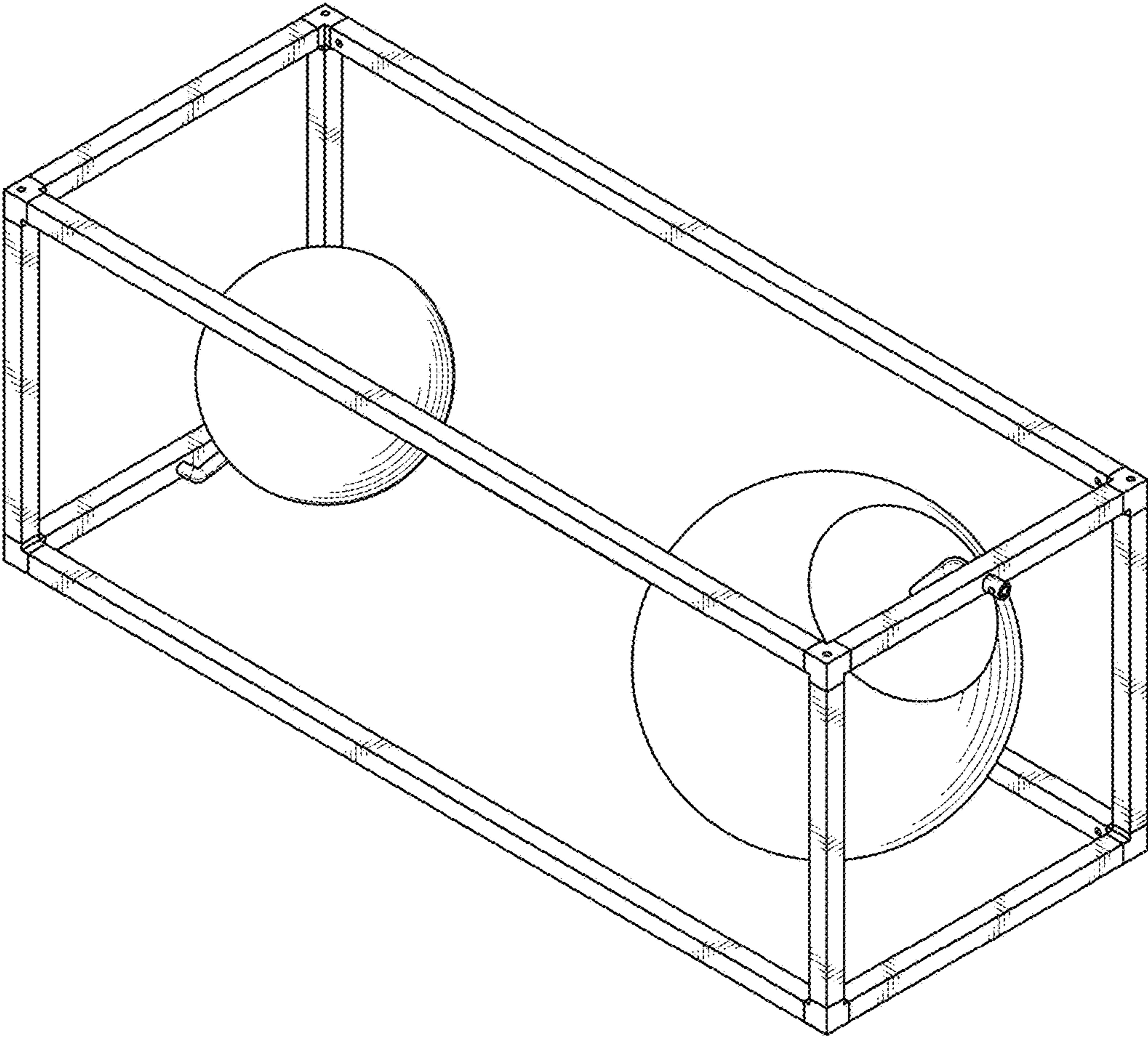


FIG. 1

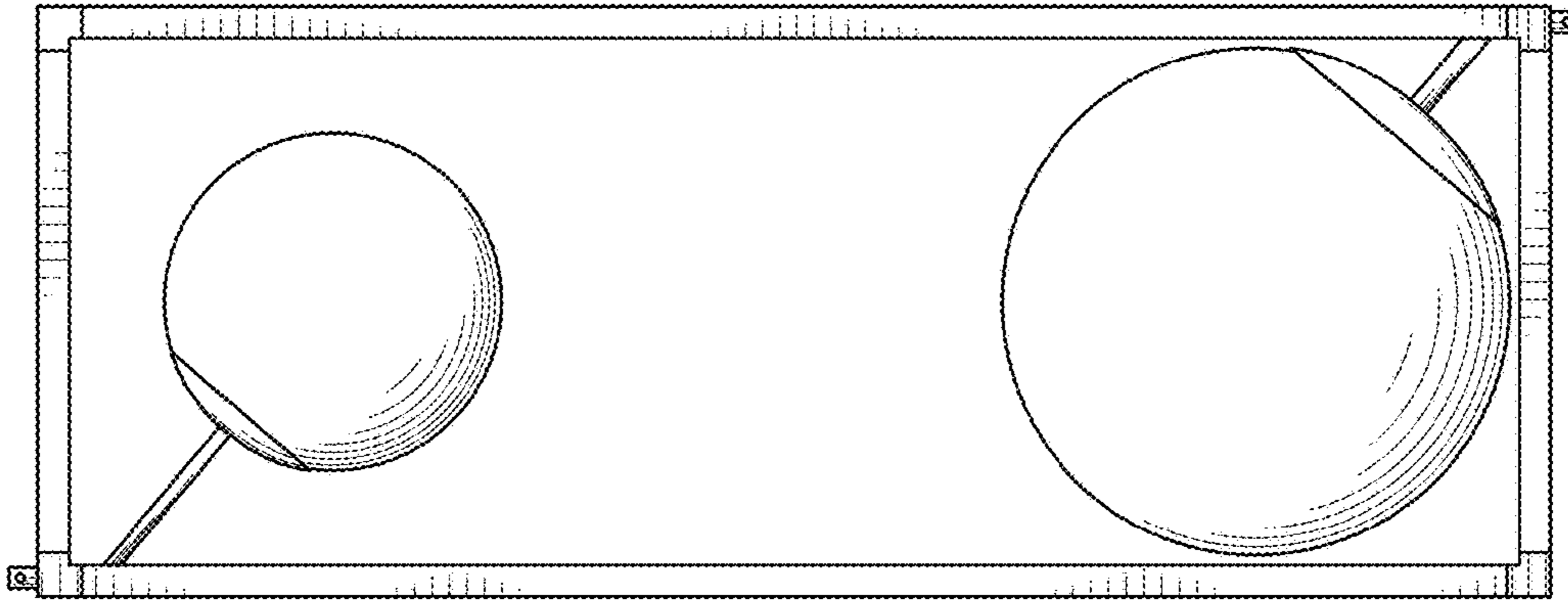


FIG. 2

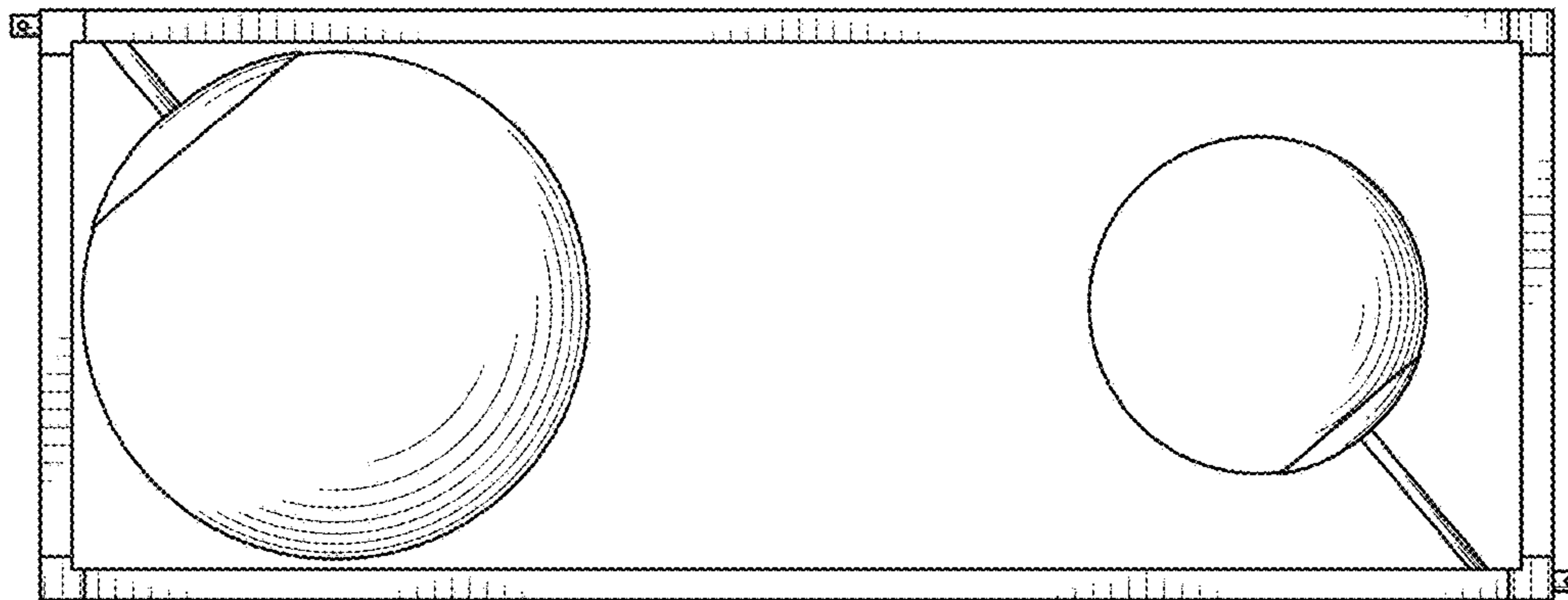


FIG. 3

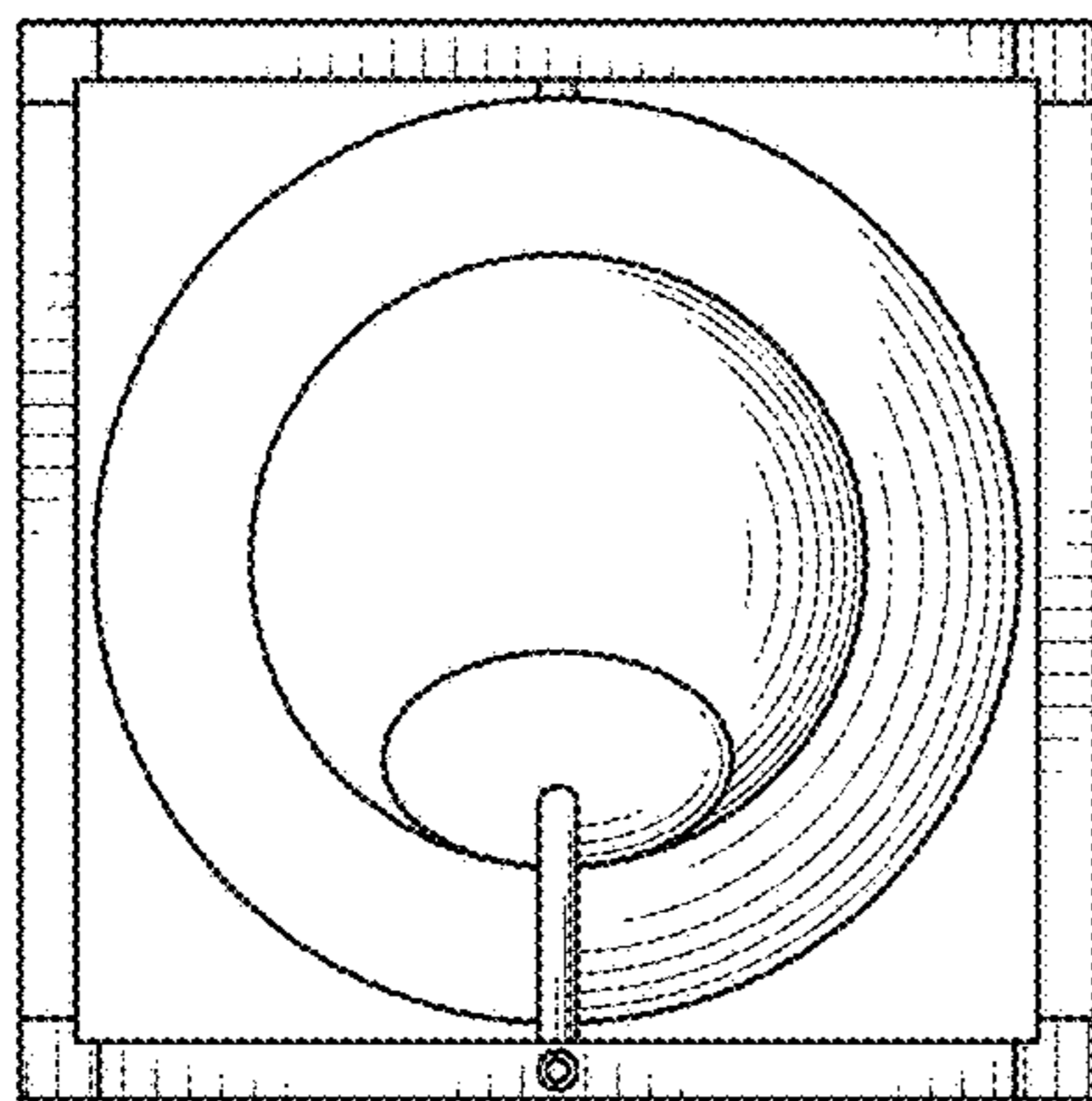


FIG. 4

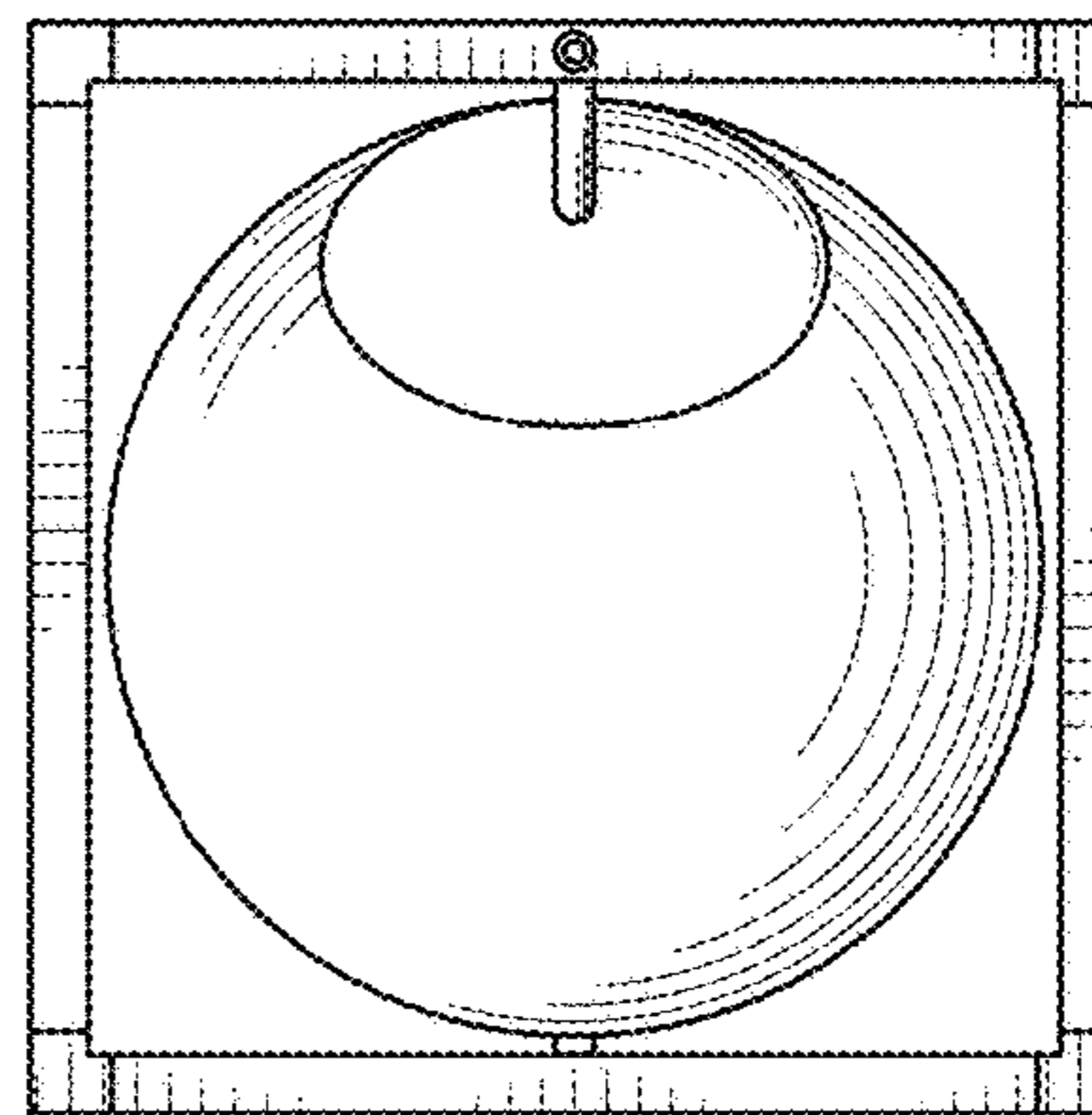


FIG. 5

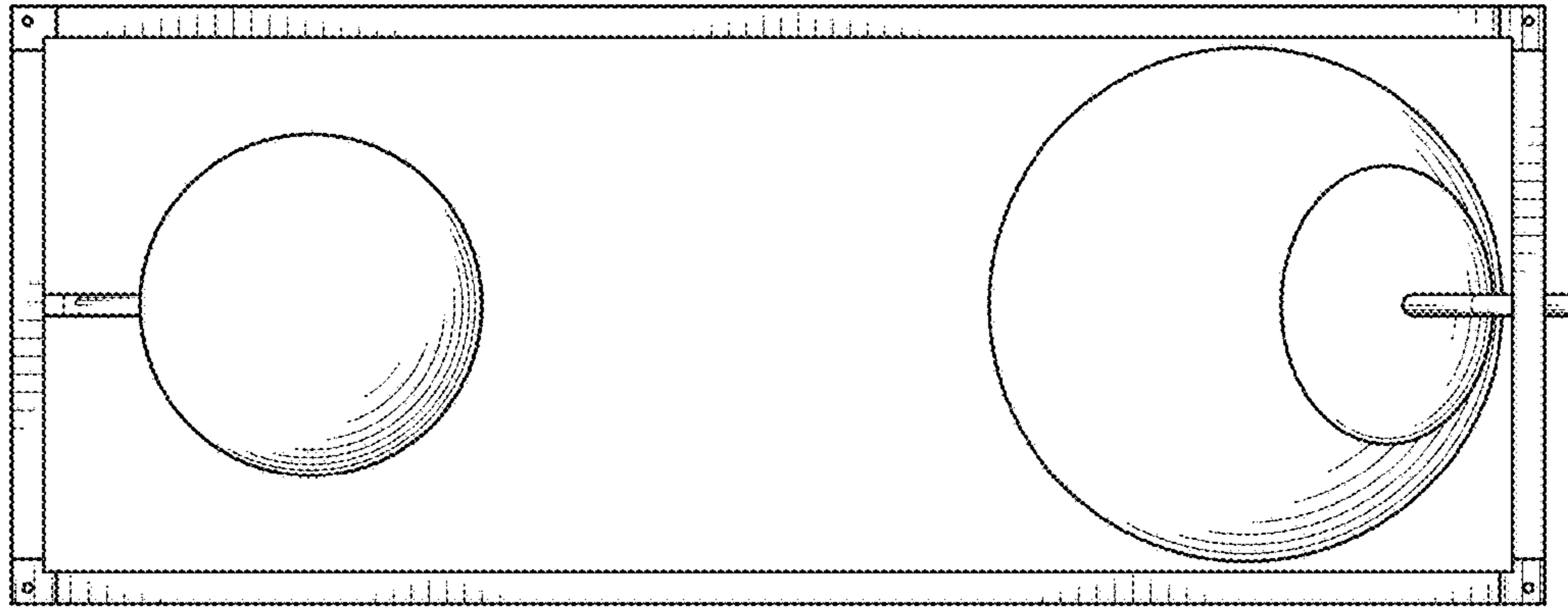


FIG. 6

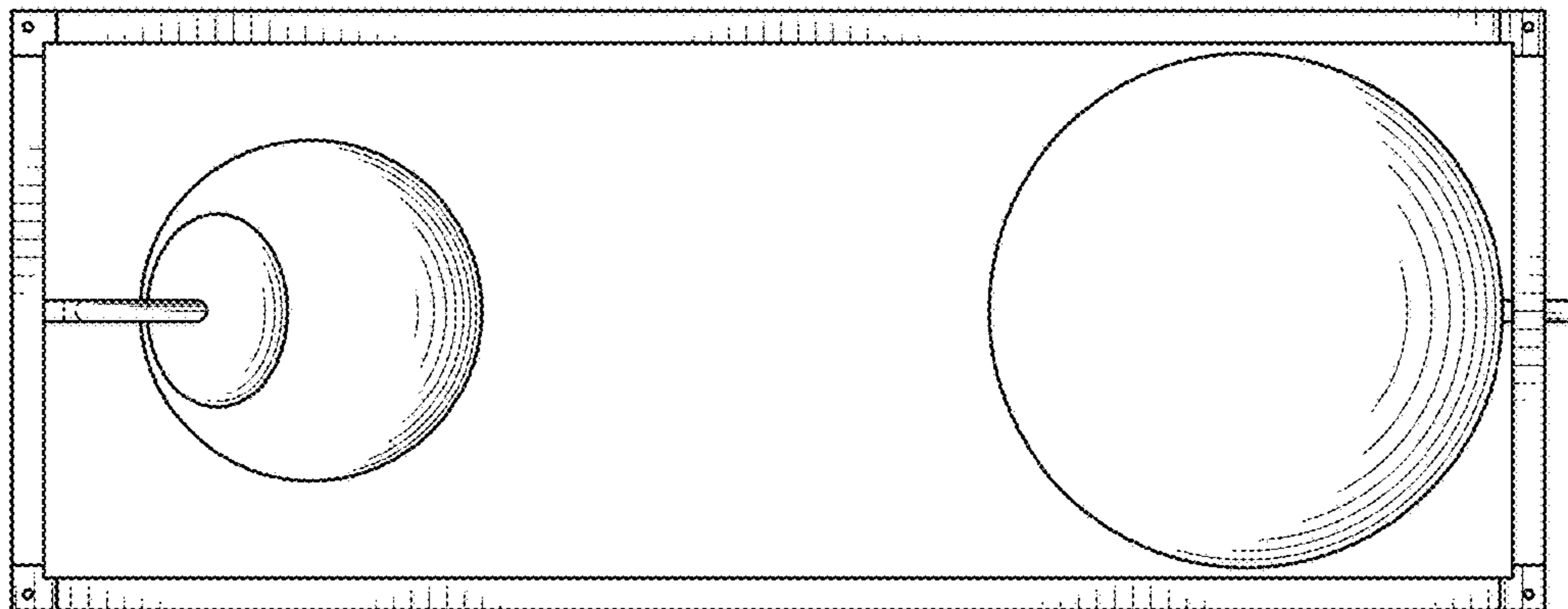


FIG. 7