



US00D837432S

(12) **United States Design Patent** (10) **Patent No.:** **US D837,432 S**
Ahrari et al. (45) **Date of Patent:** **** Jan. 1, 2019**

- (54) **ILLUMINATING BOLLARD**
- (71) Applicant: **Hubbell Incorporated**, Shelton, CT (US)
- (72) Inventors: **Armin Ahrari**, Chino, CA (US); **Carol Acedo**, Fort Worth, TX (US); **David Dutra**, Santa Ana, CA (US); **Kevin Lu**, Fountain Valley, CA (US); **Dean Dal Ponte**, Glendale, CA (US); **Syed Raza**, Rancho Palos Verdes, CA (US); **Robert Nankil**, Fullerton, CA (US)
- (73) Assignee: **Hubbell Incorporated**, Shelton, CT (US)
- (**) Term: **15 Years**
- (21) Appl. No.: **29/602,959**
- (22) Filed: **May 5, 2017**
- (51) **LOC (11) Cl.** **26-05**
- (52) **U.S. Cl.**
USPC **D26/68**
- (58) **Field of Classification Search**
USPC D26/67-71, 92
CPC F21S 6/005; F21S 8/032; F21S 8/08; F21S 8/081; F21S 8/083; F21S 8/085; F21S 8/086; F21S 9/035; F21S 9/037; F21V 33/006; F21W 2111/02; F21W 2111/023; F21W 2131/103; F21W 2131/109
See application file for complete search history.

- 8,684,571 B1 * 4/2014 Alaura F21S 8/083 362/431
- 8,845,126 B1 * 9/2014 Martzall F21S 8/022 362/183
- D795,482 S * 8/2017 Galipeau D26/68
- 2006/0109667 A1 * 5/2006 Flaherty F21S 8/083 362/431
- 2016/0040841 A1 * 2/2016 Martzall F21V 23/04 362/183

OTHER PUBLICATIONS

The Macgraw-Edison BSC/BRC Bollard from Cooper Industries. Spec.Sheet dated May 2, 2018. (Year: 2018).*
Antique Street Lamps / Resonance Bollard Model No. TLRCB10 LED from Acuity Brands Lighting (c)2012 (Year: 2012).*
“Wiremold—Outdoor Charging Station,” Legrand Electrical Wiring Systems, 2016 (2 pages).

* cited by examiner

Primary Examiner — Clare E Heflin
(74) *Attorney, Agent, or Firm* — Michael Best & Friedrich, LLP

(57) **CLAIM**

We claim the ornamental design for an illuminating bollard, as shown and described.

DESCRIPTION

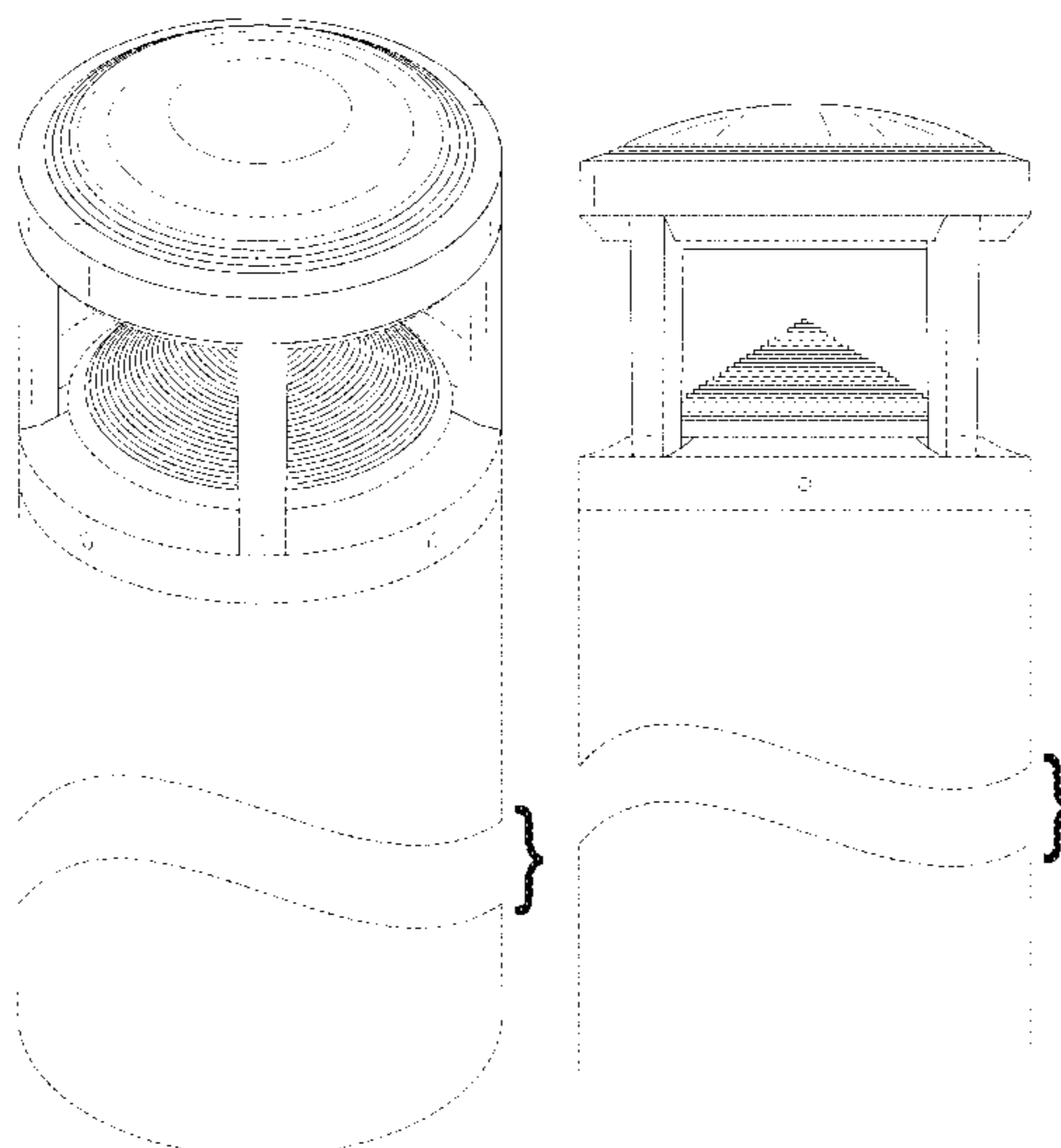
FIG. 1 is an upper perspective view of an illuminating bollard showing the new design.
FIG. 2 is a side elevation view of the illuminating bollard shown in FIG. 1.
FIG. 3 is a plan view of the illuminating bollard shown in FIG. 1; and,
FIG. 4 is a lower perspective view of the illuminating bollard shown in FIG. 1.
The elements shown in broken lines are included for the purpose of illustrating portions of the illuminating bollard that form no part of the claimed design.

1 Claim, 4 Drawing Sheets

(56) **References Cited**

U.S. PATENT DOCUMENTS

- D199,078 S * 9/1964 Turner et al. D26/67
- D398,412 S * 9/1998 Metcheur, III D26/68
- D443,094 S * 5/2001 Landefeld D26/68
- D590,086 S * 4/2009 Laporta D26/67
- D597,697 S * 8/2009 Sabernig D26/68
- 8,672,505 B1 * 3/2014 Hogan F21S 9/037 362/182



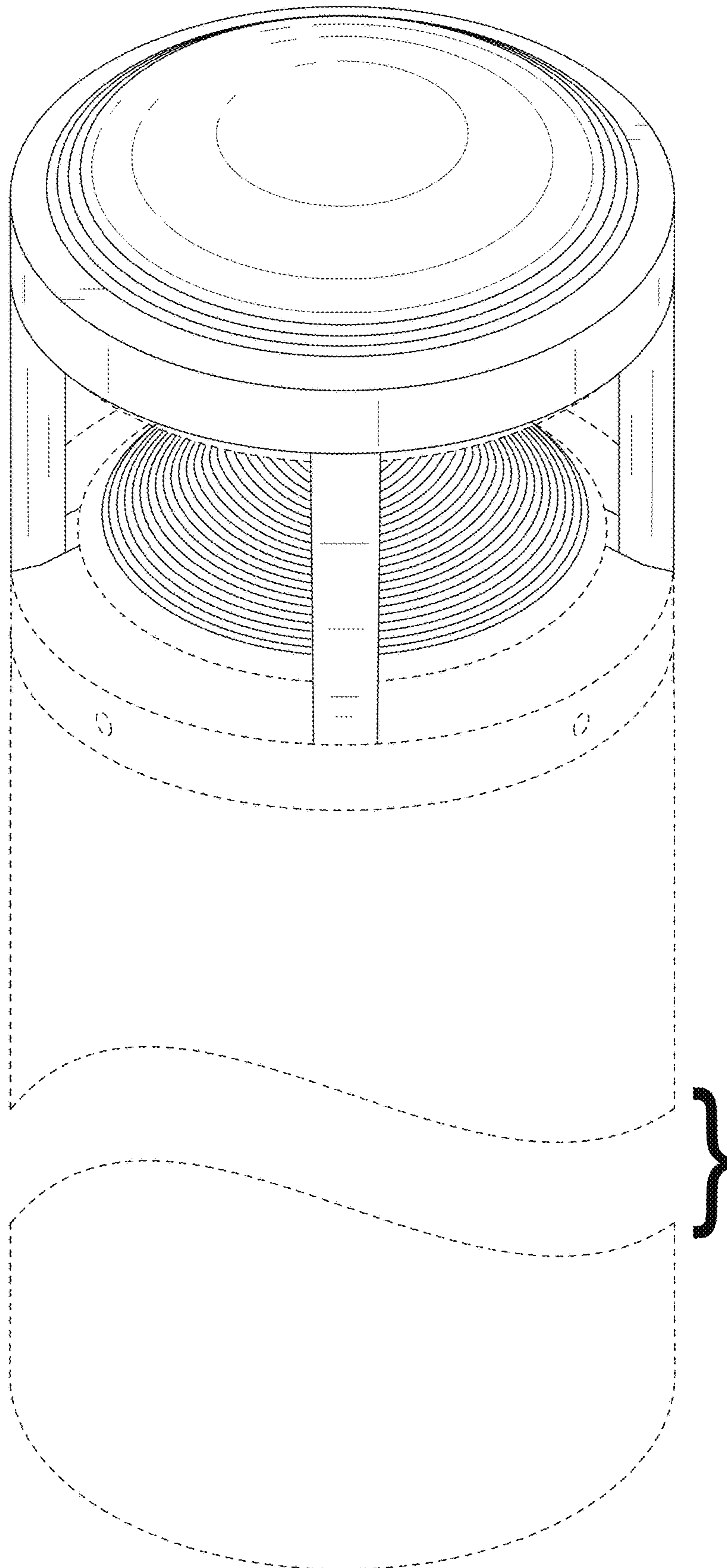


FIG. 1

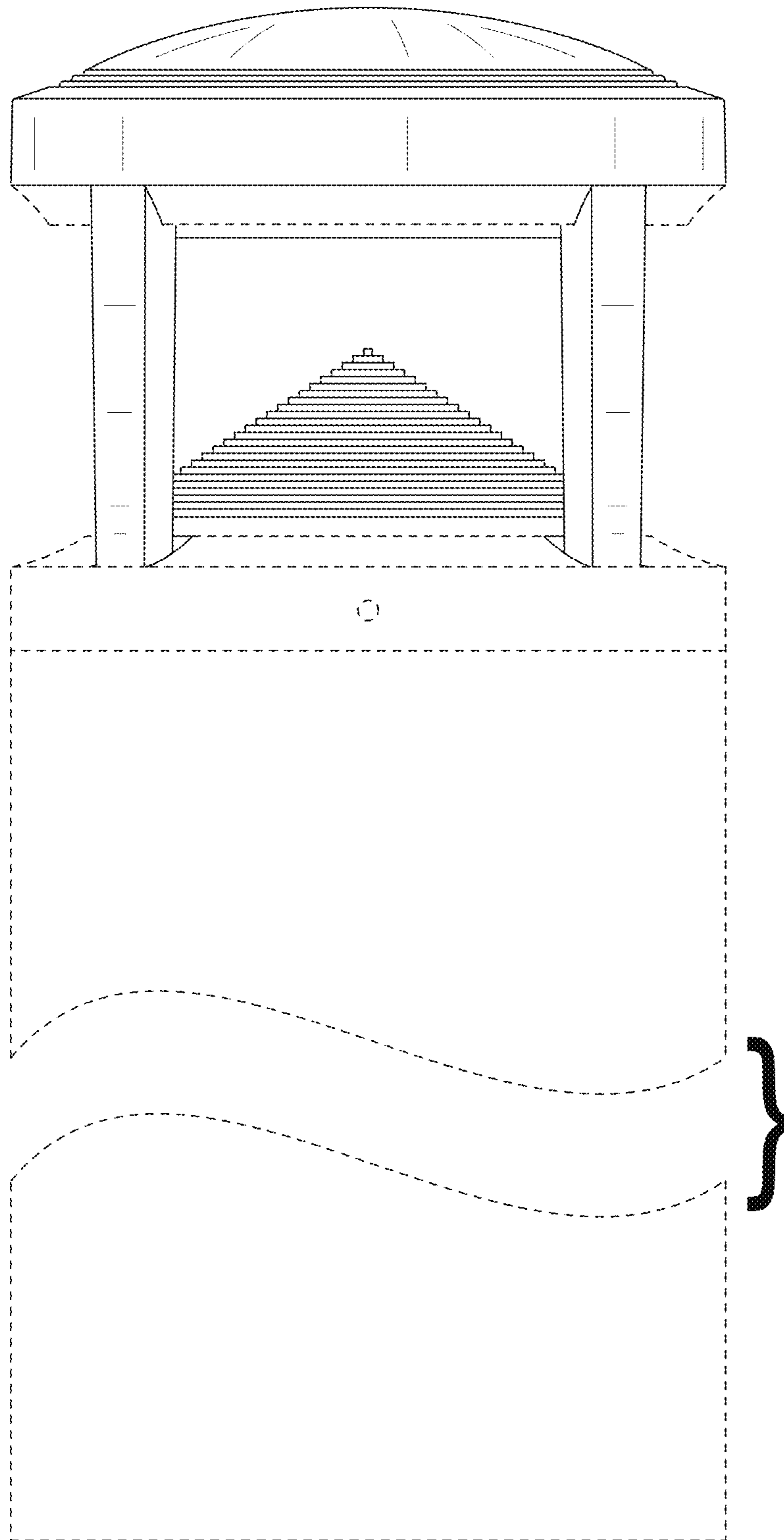


FIG. 2

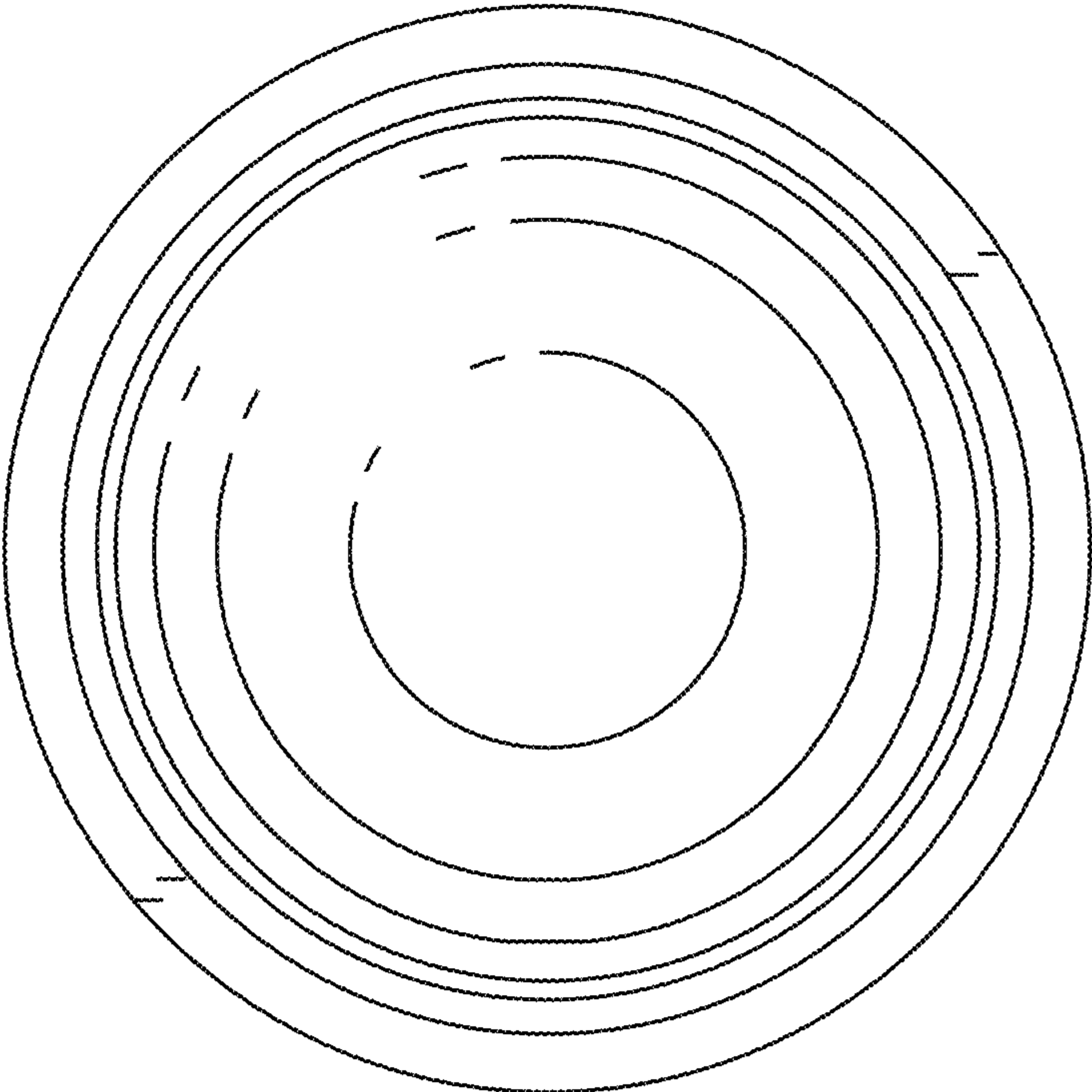


FIG. 3

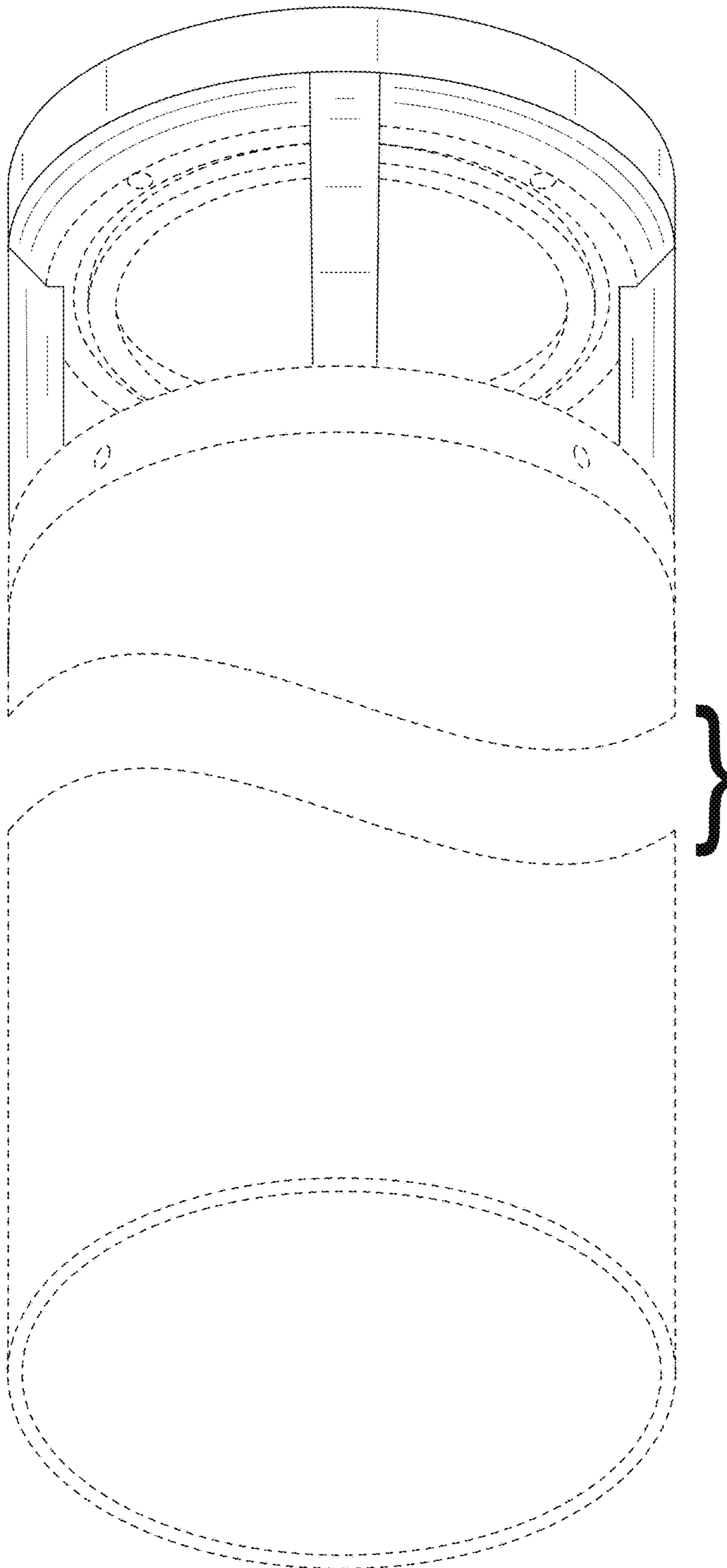


FIG. 4